

US00D767043S

(12) **United States Design Patent**
Morrison

(10) **Patent No.:** **US D767,043 S**
(45) **Date of Patent:** **** Sep. 20, 2016**

(54) **QUADCOPTER**

(71) Applicant: **Robert Morrison**, Walworth, NY (US)

(72) Inventor: **Robert Morrison**, Walworth, NY (US)

(**) Term: **14 Years**

(21) Appl. No.: **29/524,042**

(22) Filed: **Apr. 16, 2015**

(51) **LOC (10) Cl.** **21-01**

(52) **U.S. Cl.**
USPC **D21/441**; D12/16.1

(58) **Field of Classification Search**

USPC D12/16.1, 319, 325, 326, 327, 328, 329,
D12/330, 333, 344, 345; D21/301, 437,
D21/441, 443, 446, 447, 448, 453, 454, 461
CPC B64C 2201/146; B64C 2201/141;
B64C 2201/126; B64C 2201/021; B64C
29/00

See application file for complete search history.

(56) **References Cited**

U.S. PATENT DOCUMENTS

D189,462 S *	12/1960	Vogt	D12/329
D648,809 S *	11/2011	Seydoux	D21/441
D659,771 S *	5/2012	Seydoux	D21/441
D741,751 S *	10/2015	Klaptocz	D12/16.1
9,158,304 B2 *	10/2015	Fleck	G05D 1/0011
2012/0241555 A1 *	9/2012	Savoie	A63H 27/12 244/54
2015/0057844 A1 *	2/2015	Callou	G05D 1/0204 701/3
2015/0148988 A1 *	5/2015	Fleck	G05D 1/0011 701/2
2015/0149000 A1 *	5/2015	Rischmuller	B64C 39/024 701/7
2015/0331427 A1 *	11/2015	Chaudary	G05D 1/0816 244/17.13

OTHER PUBLICATIONS

Zhanko. found online [Jan. 2, 2016]. <https://www.google.com/search?q=unmanned+aerial+vehicle&biw=1680&bih=843&>

source=Inms&tbm=isch&sa=X&ved=0ahUKEwjz55zw64vKAhVX4WMKHfDXD-MQ_AUIBygC#tbm=isch&q=unmanned+aerial+toy&imgcr=Q_Oee9ANMAg8jM%3A.*
Bumper by hubsan dated 2001-2016. found online [Jan. 2, 2016]http://www.everychina.com/m-rc-propel-quadcopter.*
<http://n3.sdcdn.com/imgs/a/2/m/Stylezit-Space-Trek-Quadcopter-UFO-SDL905767934-1-801ba.jpg>.
<http://p.globalsources.com/IMAGES/PDT/S1133665976/Mini-remote-controlled-toy-drone.jpg>.
http://cdn.shopify.com/s/files/1/0898/9126/products/91_53f68792-aa04-4f2d-bf75-e8427788338e.jpg?v=1453125301.
<http://g02.A.alicdn.com/kf/HTB15MSLLXXXXXqXXXXq6xXFXXXo/Rc105-2-4G-4CH-drone-w-6-axis-Rc-Drone-Quadcopter-Headless-Mode-Auto-Return-rc.jpg>.
US Trademark Registration No. 86546514; Mark—Axis Drones.

* cited by examiner

Primary Examiner — Robert M Spear

Assistant Examiner — Marissa J Cash

(74) *Attorney, Agent, or Firm* — Raj Abhyanker, P.C.

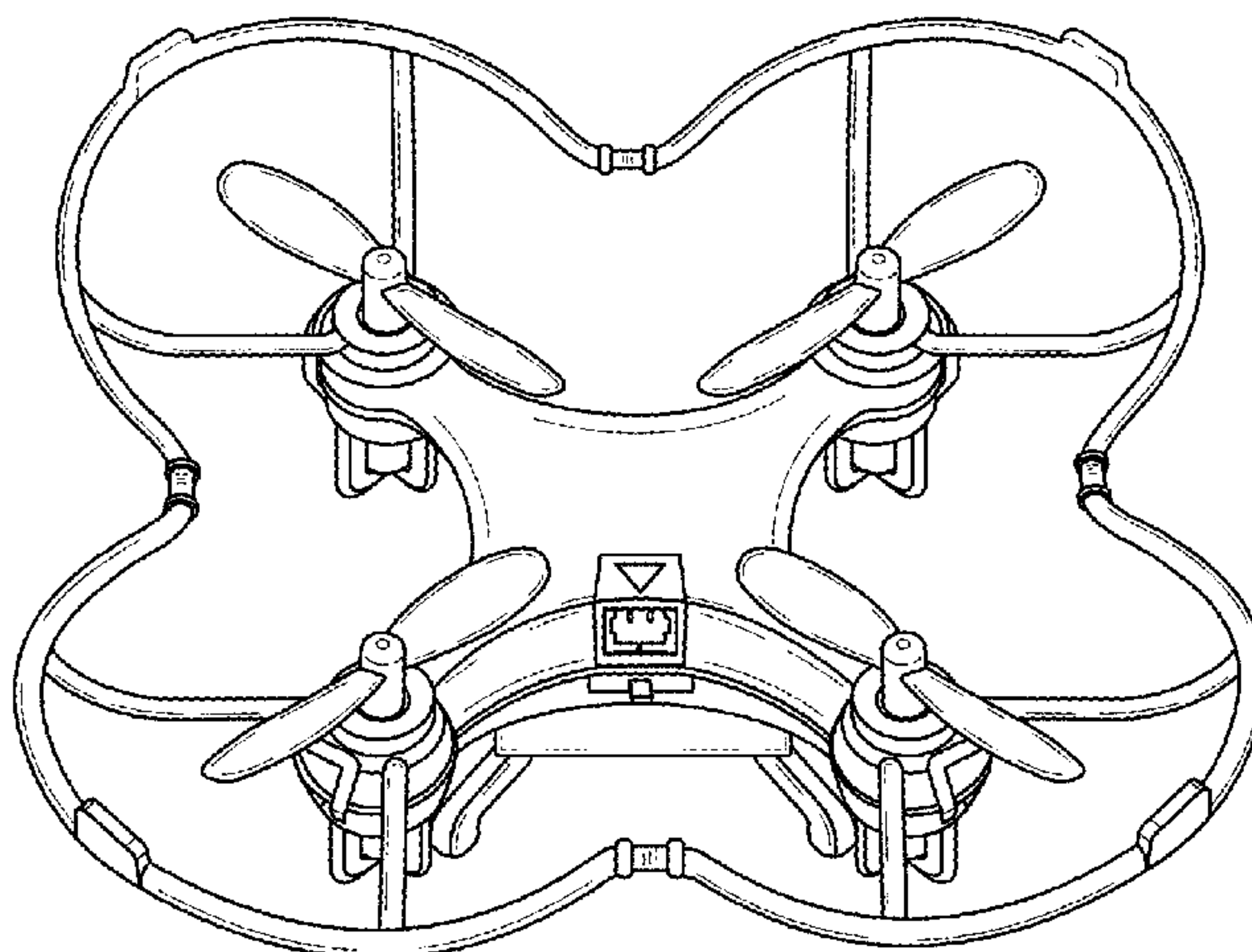
(57) **CLAIM**

The ornamental design for a quadcopter, as shown and described.

DESCRIPTION

FIG. 1 is a rear perspective view of a quadcopter showing my new design;
FIG. 2 is a front view thereof;
FIG. 3 is a rear view thereof;
FIG. 4 is a left view thereof;
FIG. 5 is a right view thereof;
FIG. 6 is a top view thereof; and,
FIG. 7 is a bottom view thereof.
The broken lines depict unclaimed portions of the quadcopter that form no part of the claimed design.

1 Claim, 4 Drawing Sheets



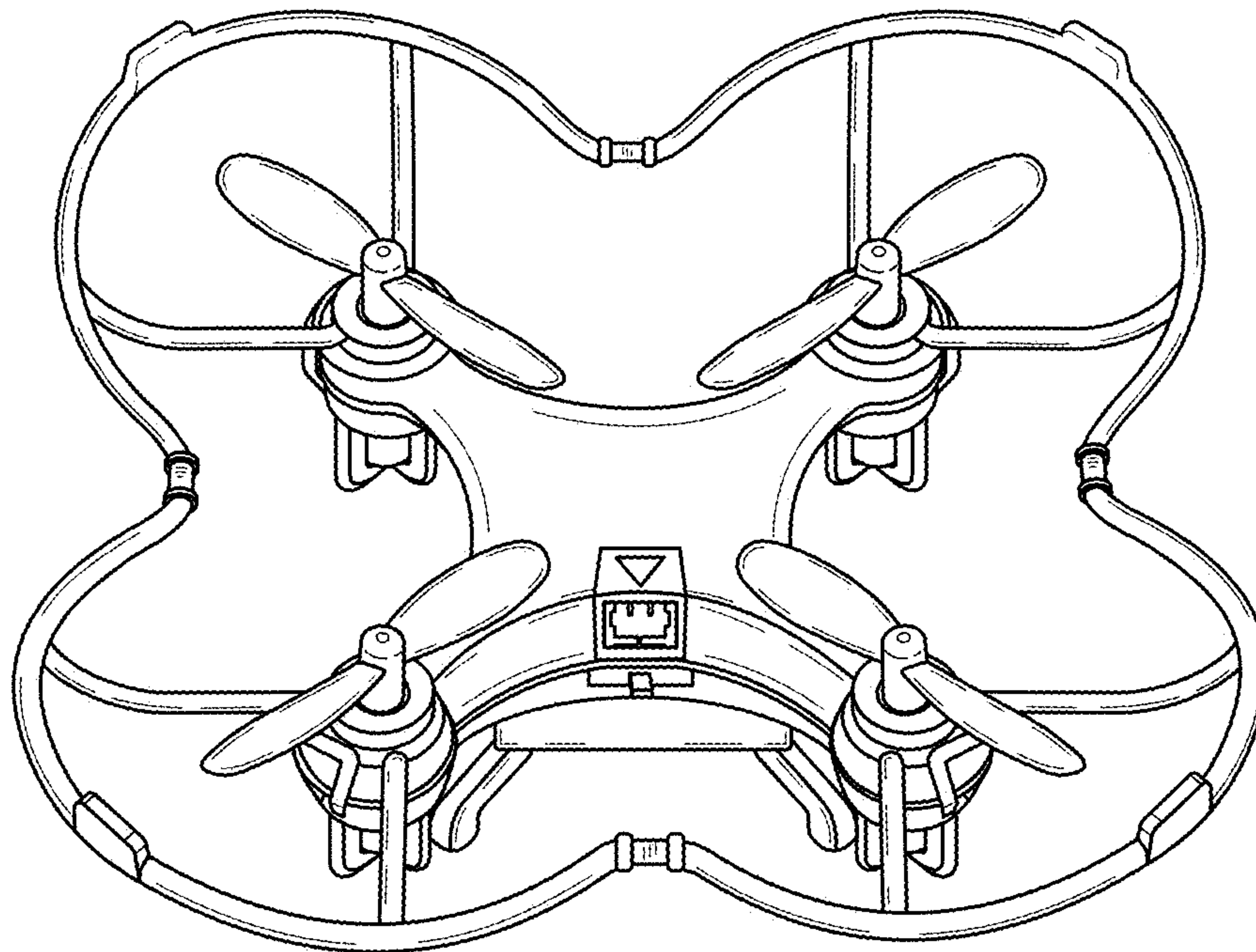


FIG. 1

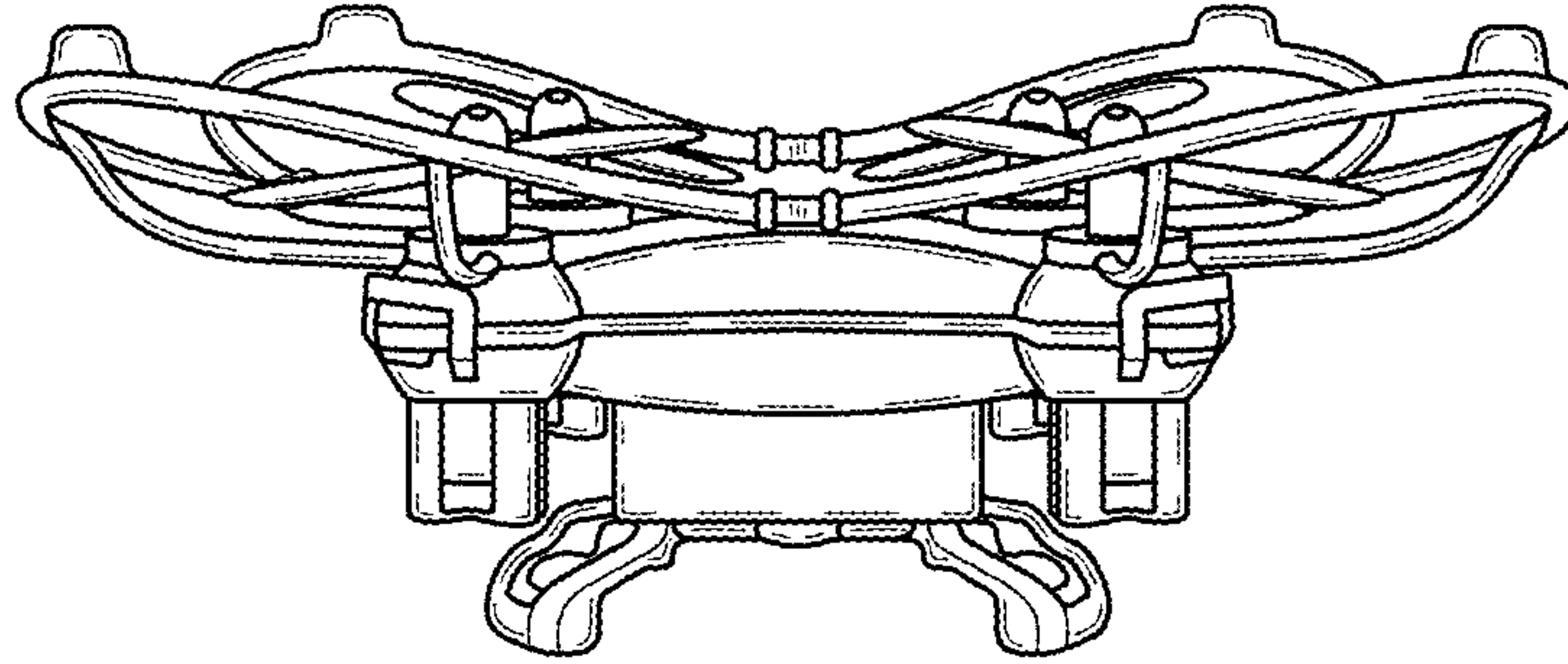


FIG. 2

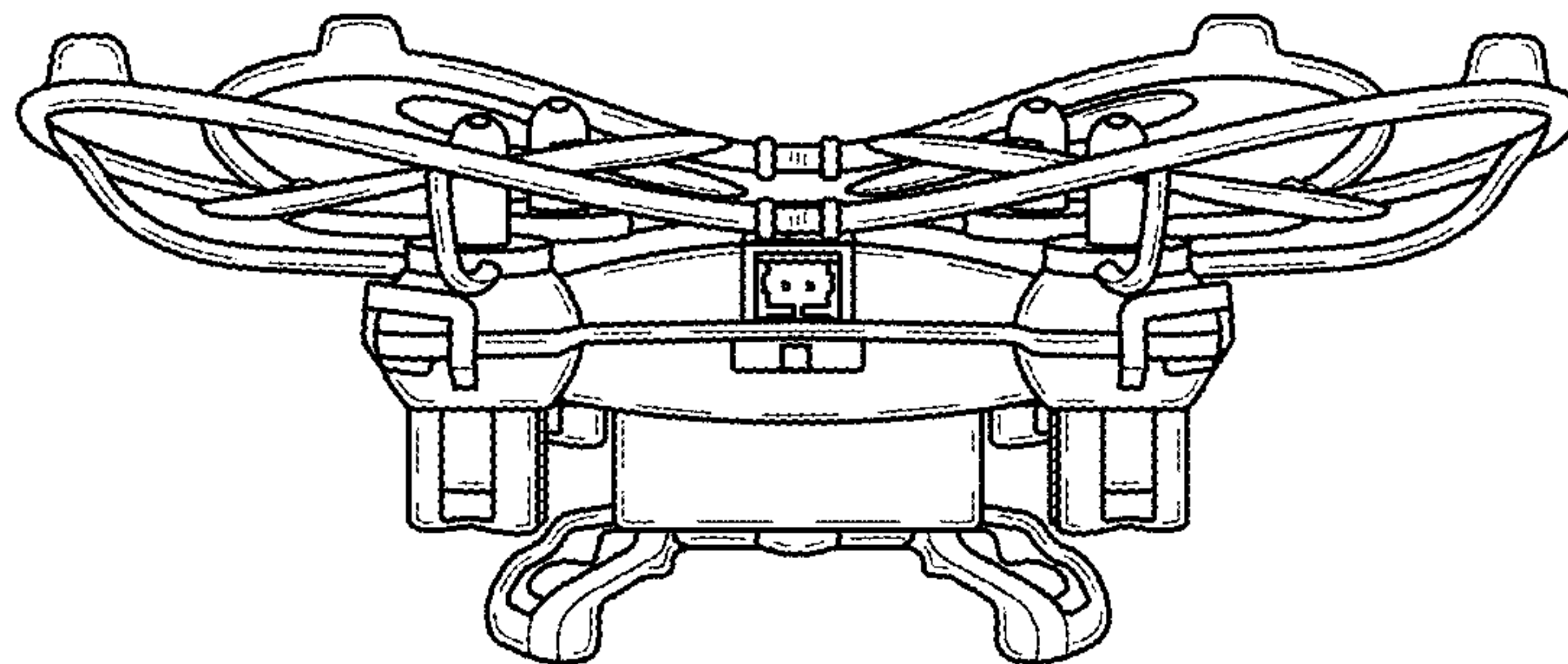


FIG. 3

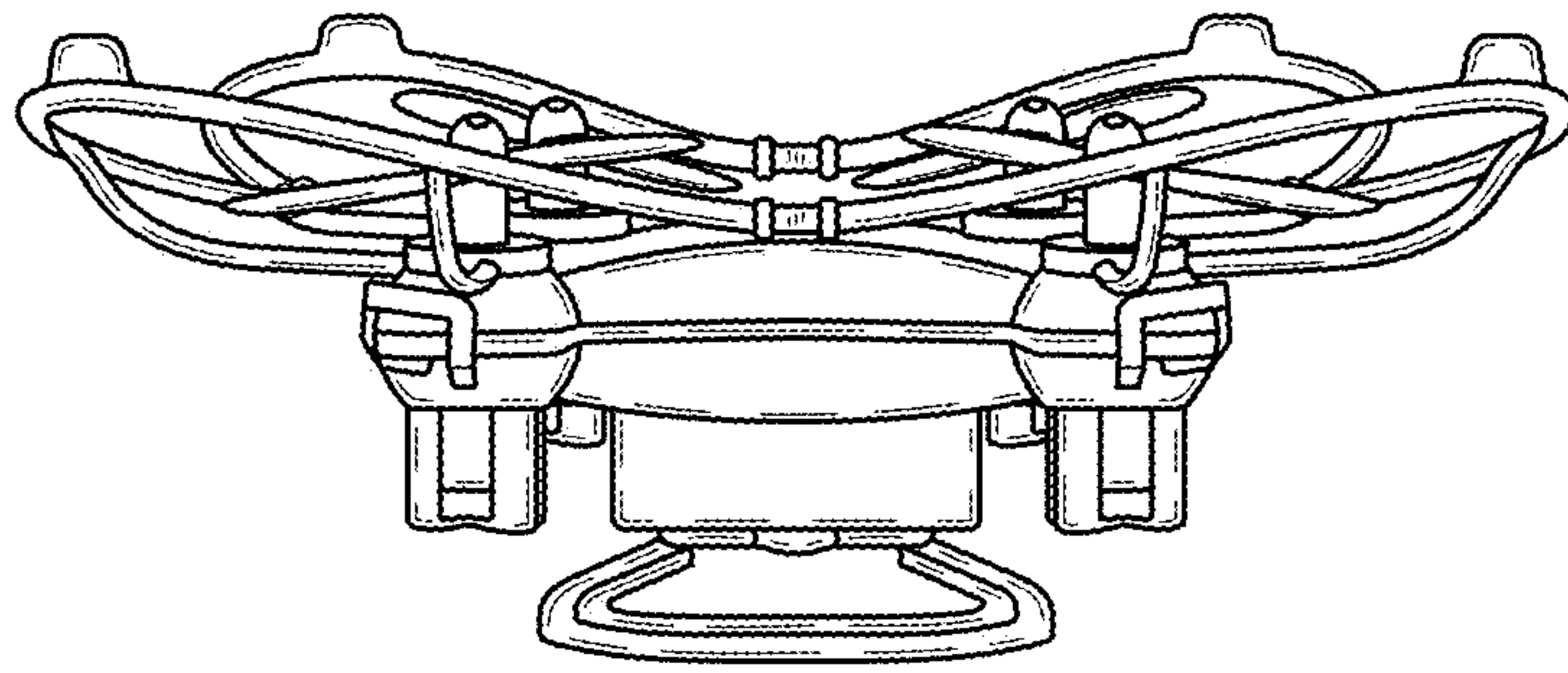


FIG. 4

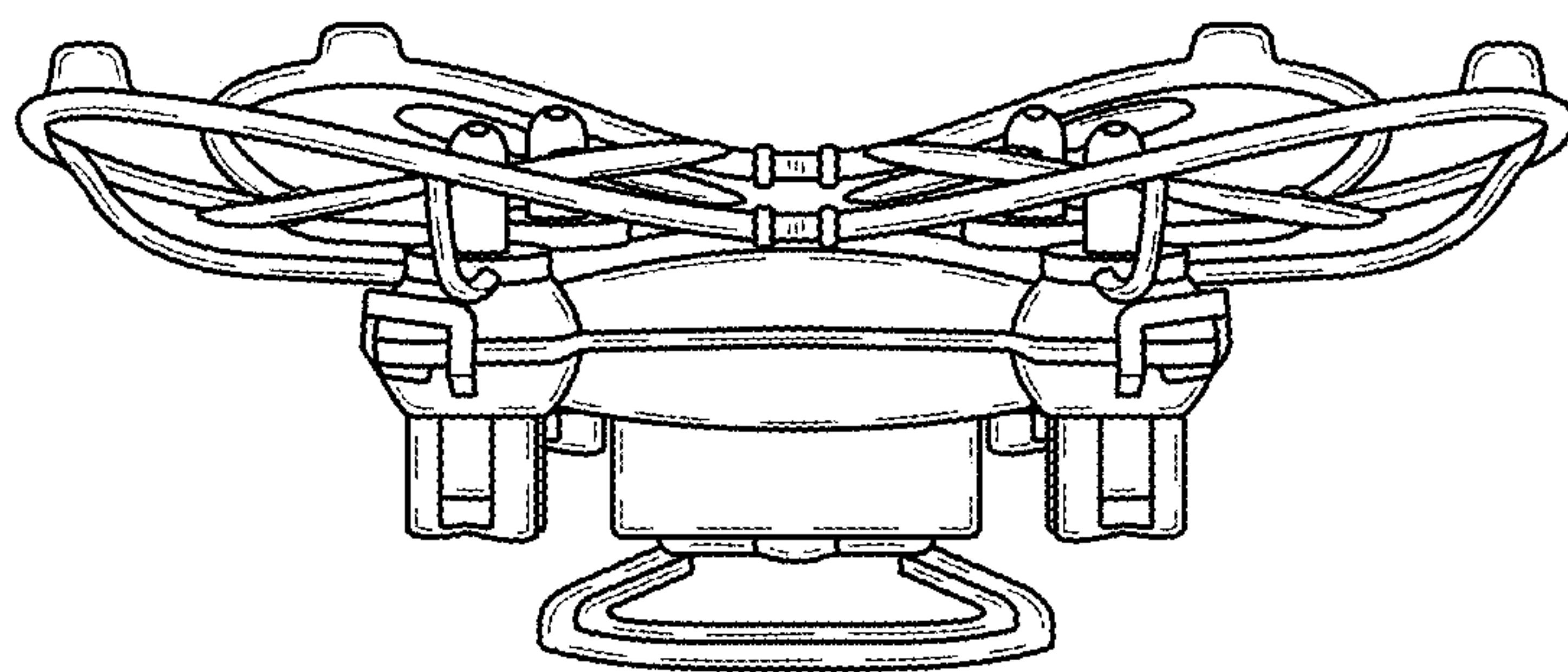


FIG. 5

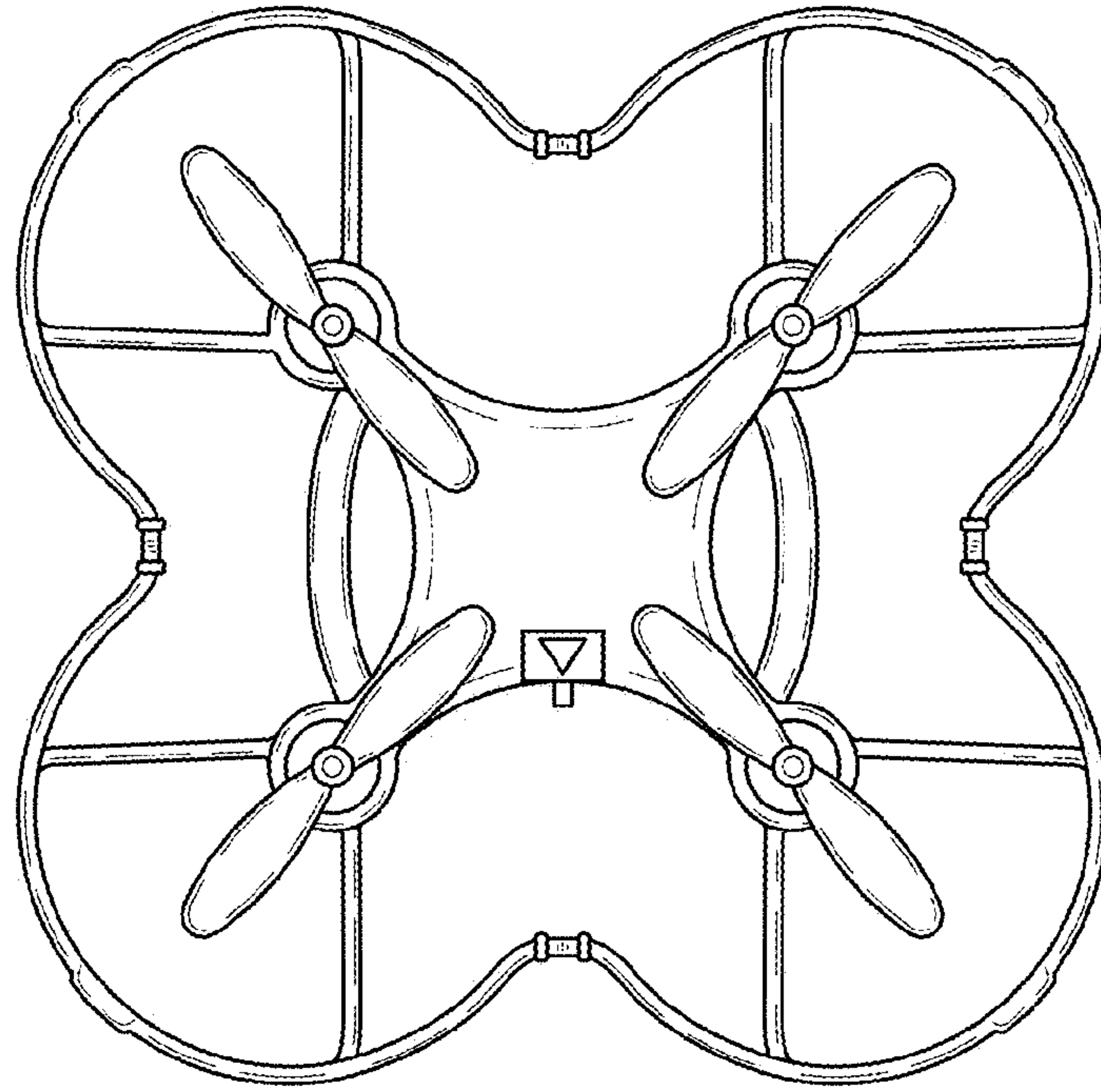


FIG. 6

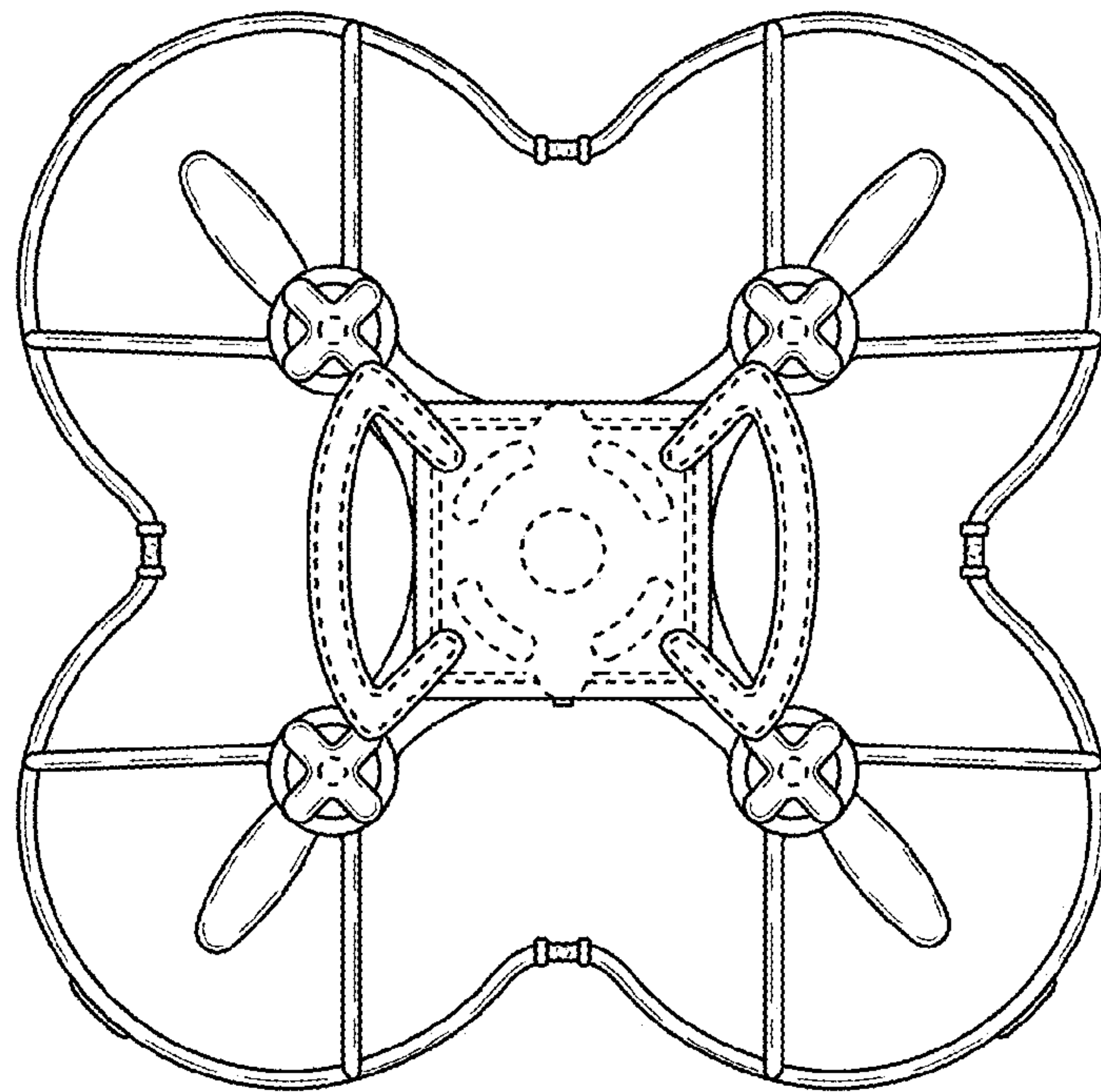


FIG. 7