



US00D767041S

(12) **United States Design Patent**
Patterson

(10) **Patent No.:** **US D767,041 S**

(45) **Date of Patent:** **** Sep. 20, 2016**

(54) **CHESS SET**

D493,198 S * 7/2004 Starkel D21/386

(71) Applicant: **Duval Patterson**, Fort Mill, SC (US)

* cited by examiner

(72) Inventor: **Duval Patterson**, Fort Mill, SC (US)

Primary Examiner — George D Kirschbaum

(**) Term: **14 Years**

(21) Appl. No.: **29/501,165**

(57) **CLAIM**

The ornamental design for a chess set, as shown and described.

(22) Filed: **Sep. 2, 2014**

(51) **LOC (10) Cl.** **21-01**

(52) **U.S. Cl.**

USPC **D21/388**

(58) **Field of Classification Search**

USPC D21/388, 386, 389

CPC A63F 3/00697

See application file for complete search history.

DESCRIPTION

FIG. 1 is a perspective view of a chess set embodying the design;

FIG. 2 is a front view of a chess set embodying the design;

FIG. 3 is a back view of a chess set embodying the design;

FIG. 4 is a side view of a chess set embodying the design;

and,

FIG. 5 is a top view of a chess set embodying the design.

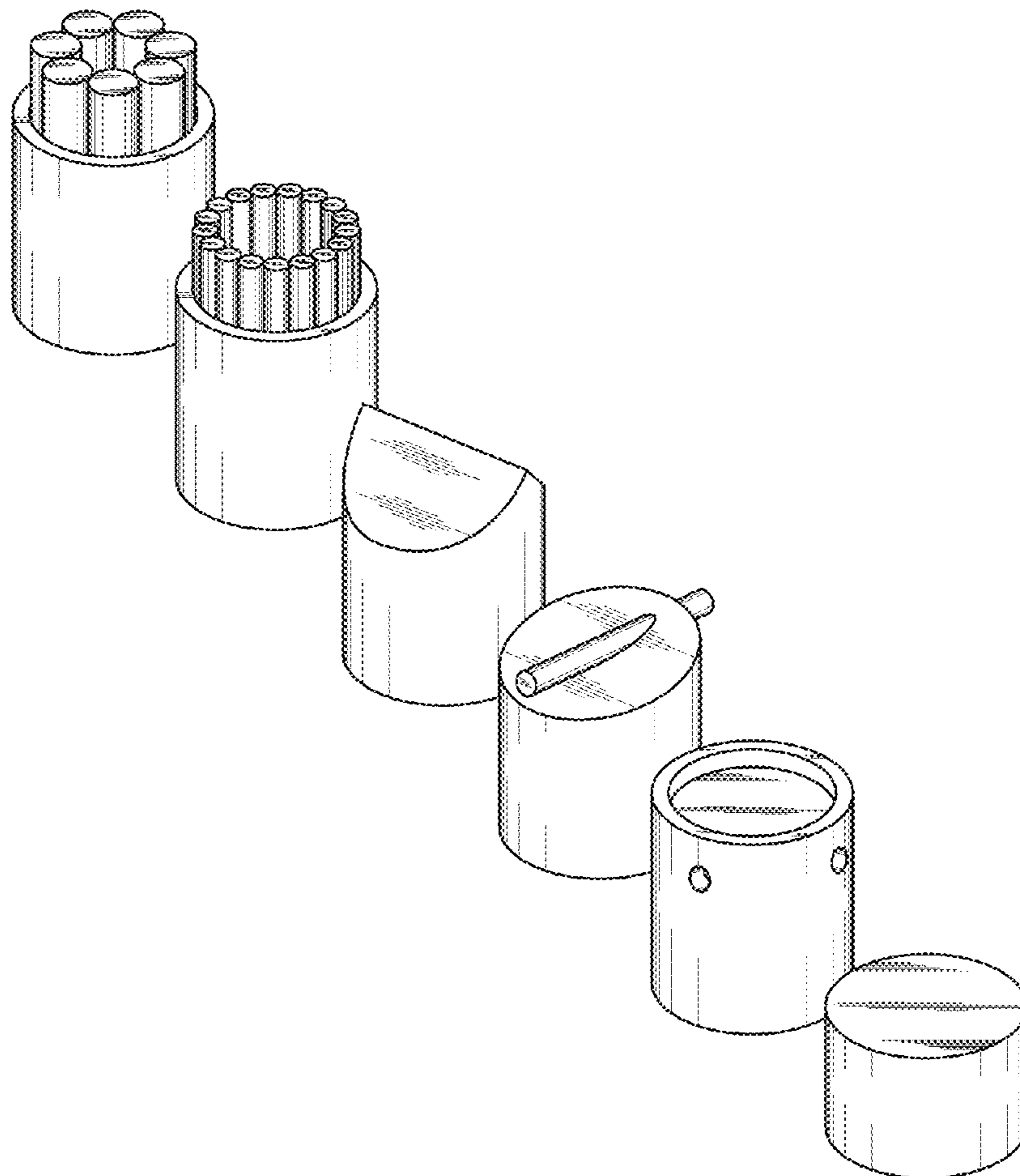
(56) **References Cited**

U.S. PATENT DOCUMENTS

D172,994 S * 9/1954 Shalkhauser 273/288

D279,390 S * 6/1985 Danner D21/388

1 Claim, 4 Drawing Sheets



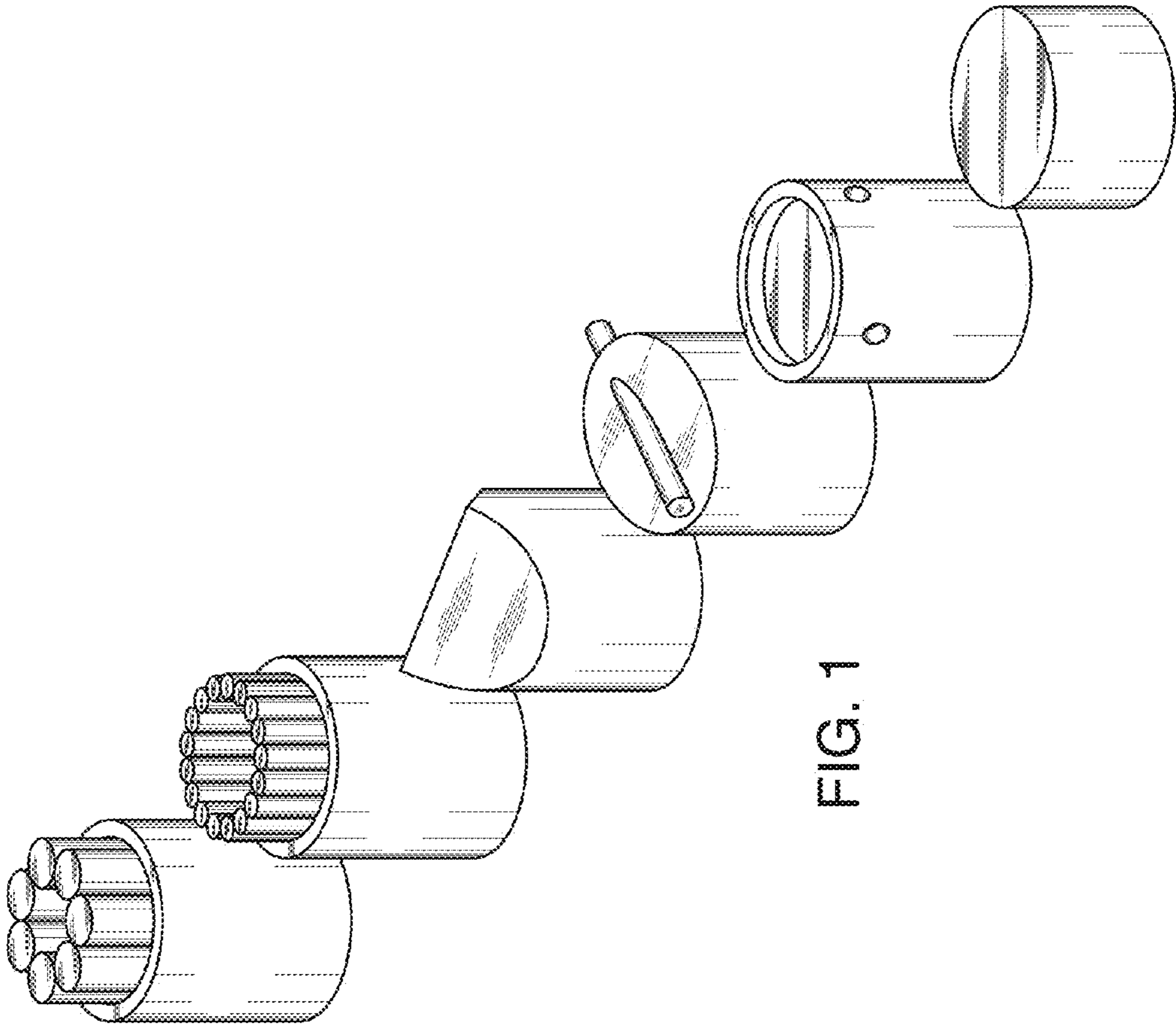


FIG. 1

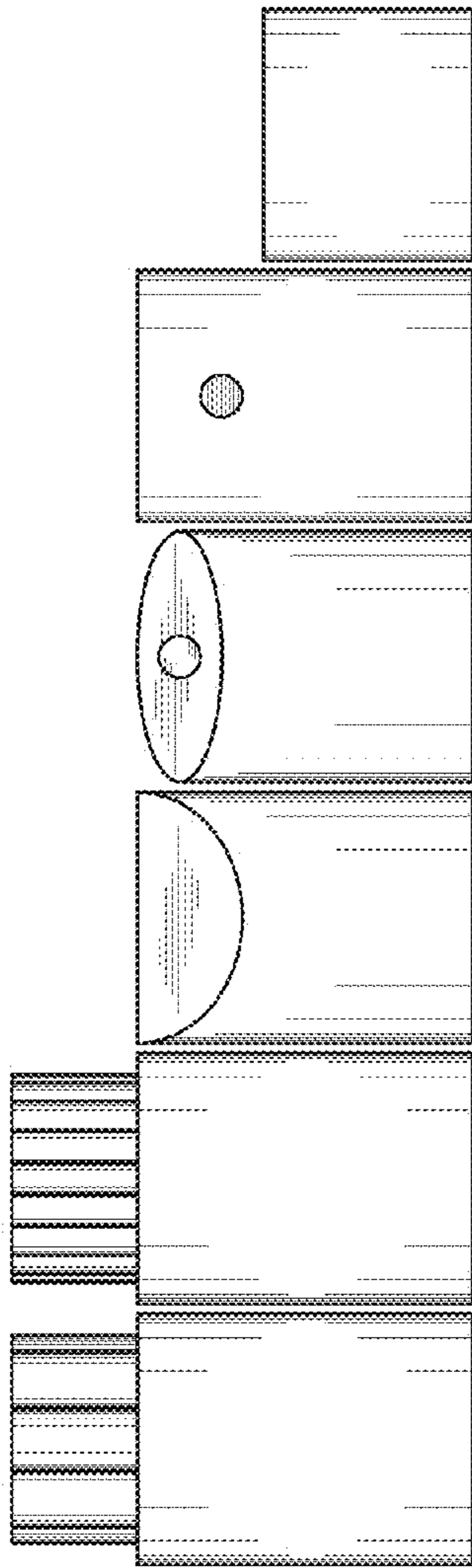


FIG. 2

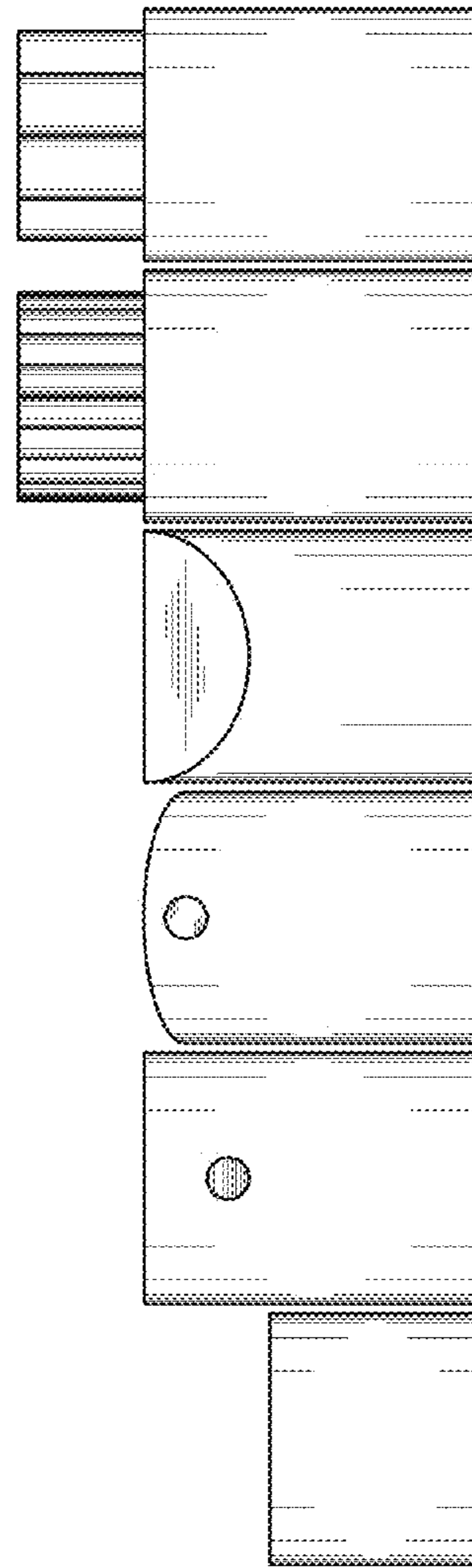


FIG. 3

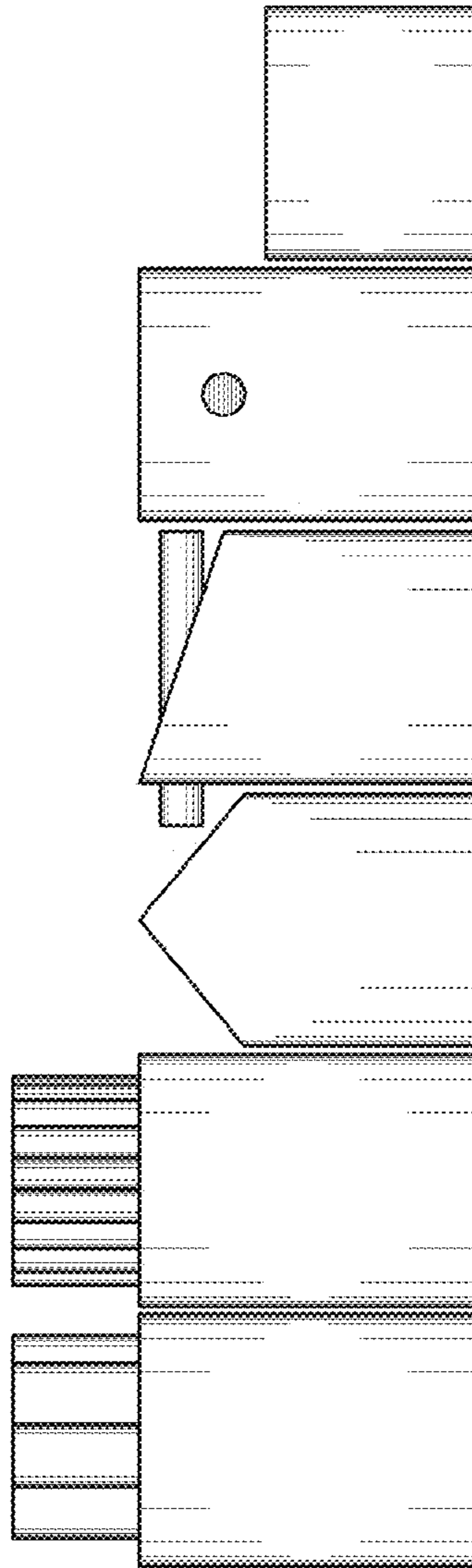


FIG. 4

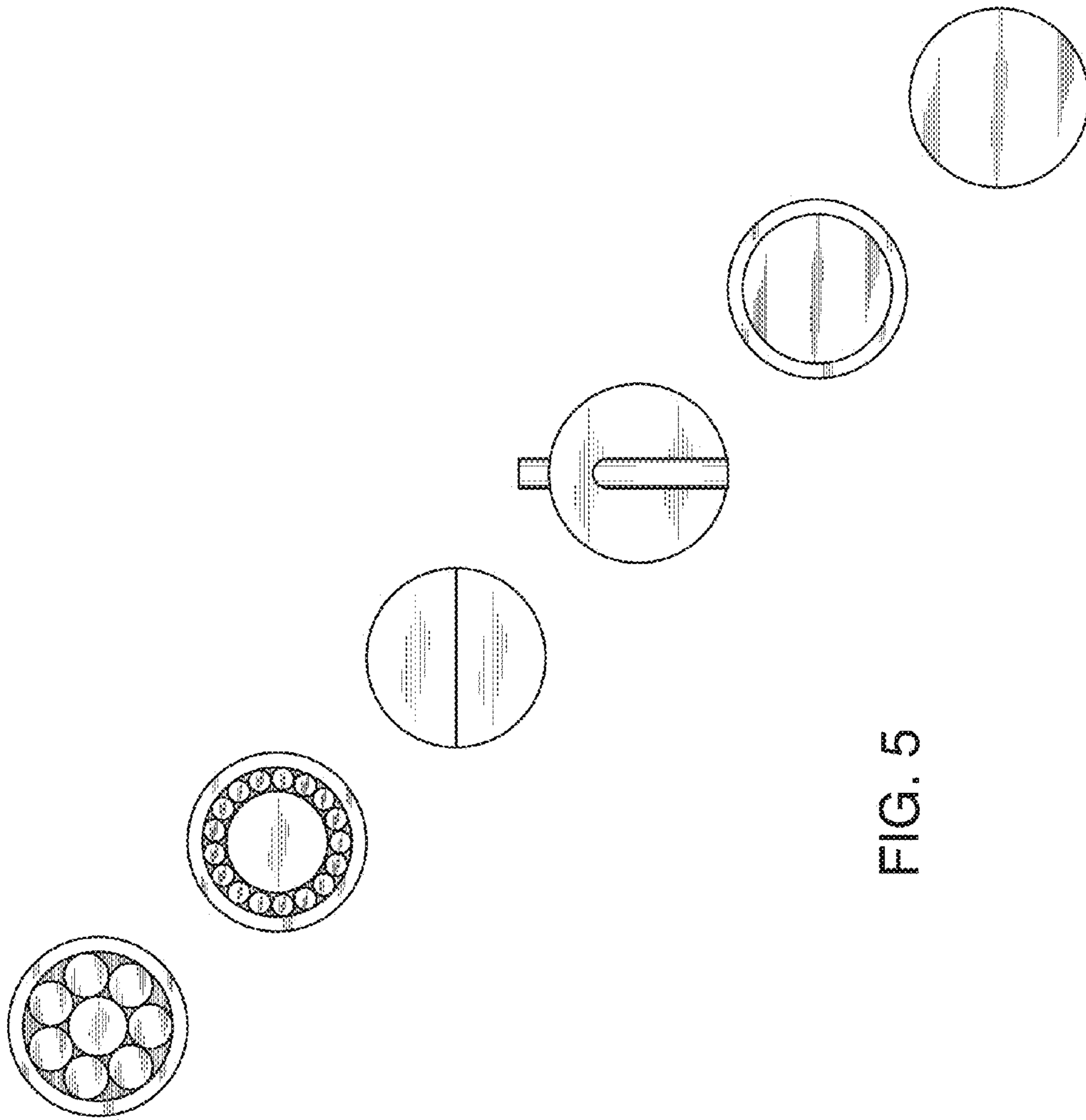


FIG. 5