



US00D767040S

(12) **United States Design Patent**
Lim et al.

(10) **Patent No.:** **US D767,040 S**
(45) **Date of Patent:** **** Sep. 20, 2016**

(54) **TARGET DEVICE FOR MERCHANDISER**

D166,533 S * 4/1952 Gault D10/1
2,749,700 A * 6/1956 Seligman G04B 1/00
368/202
D397,617 S * 9/1998 Davis D10/1

(71) Applicant: **ANDAMIRO CO., LTD.**, Gyeonggi-do (KR)

* cited by examiner

(72) Inventors: **Myoung Soo Lim**, Seoul (KR); **Soo Min Park**, Seoul (KR); **Hai Kwon Jung**, Seoul (KR); **Do Young Kim**, Gyeonggi-do (KR)

Primary Examiner — George D Kirschbaum

(74) *Attorney, Agent, or Firm* — The PL Law Group, PLLC

(73) Assignee: **ANDAMIRO CO., LTD.**, Gyeonggi-Do (KR)

(57) **CLAIM**

The ornamental design for a target device for merchandiser, as shown and described.

(**) Term: **14 Years**

(21) Appl. No.: **29/461,153**

(22) Filed: **Jul. 19, 2013**

DESCRIPTION

(30) **Foreign Application Priority Data**

Jun. 21, 2013 (KR) 30-2013-0032176

(51) **LOC (10) Cl.** **21-01**

(52) **U.S. Cl.**
USPC **D21/385**

(58) **Field of Classification Search**
USPC D10/104.1, 104.2, 32, 70, 31, 1, 21;
D21/385
CPC G04B 1/00
See application file for complete search history.

FIG. 1 is a perspective view of a target device for merchandiser, showing my new design;
FIG. 2 is a front view thereof;
FIG. 3 is a rear view thereof;
FIG. 4 is a left side view thereof;
FIG. 5 is a right side view thereof;
FIG. 6 is a top plan view thereof;
FIG. 7 is a bottom plan view thereof; and,
FIG. 8 is a view showing an example of the usage of the target device for merchandiser.
In the drawings, the broken line showing of a mechanical elements on the rear of the design depicts environmental subject matter and forms no part of the claim.

(56) **References Cited**

U.S. PATENT DOCUMENTS

D115,901 S * 8/1939 Banick D10/1
D115,904 S * 8/1939 Bourne D10/1

1 Claim, 8 Drawing Sheets

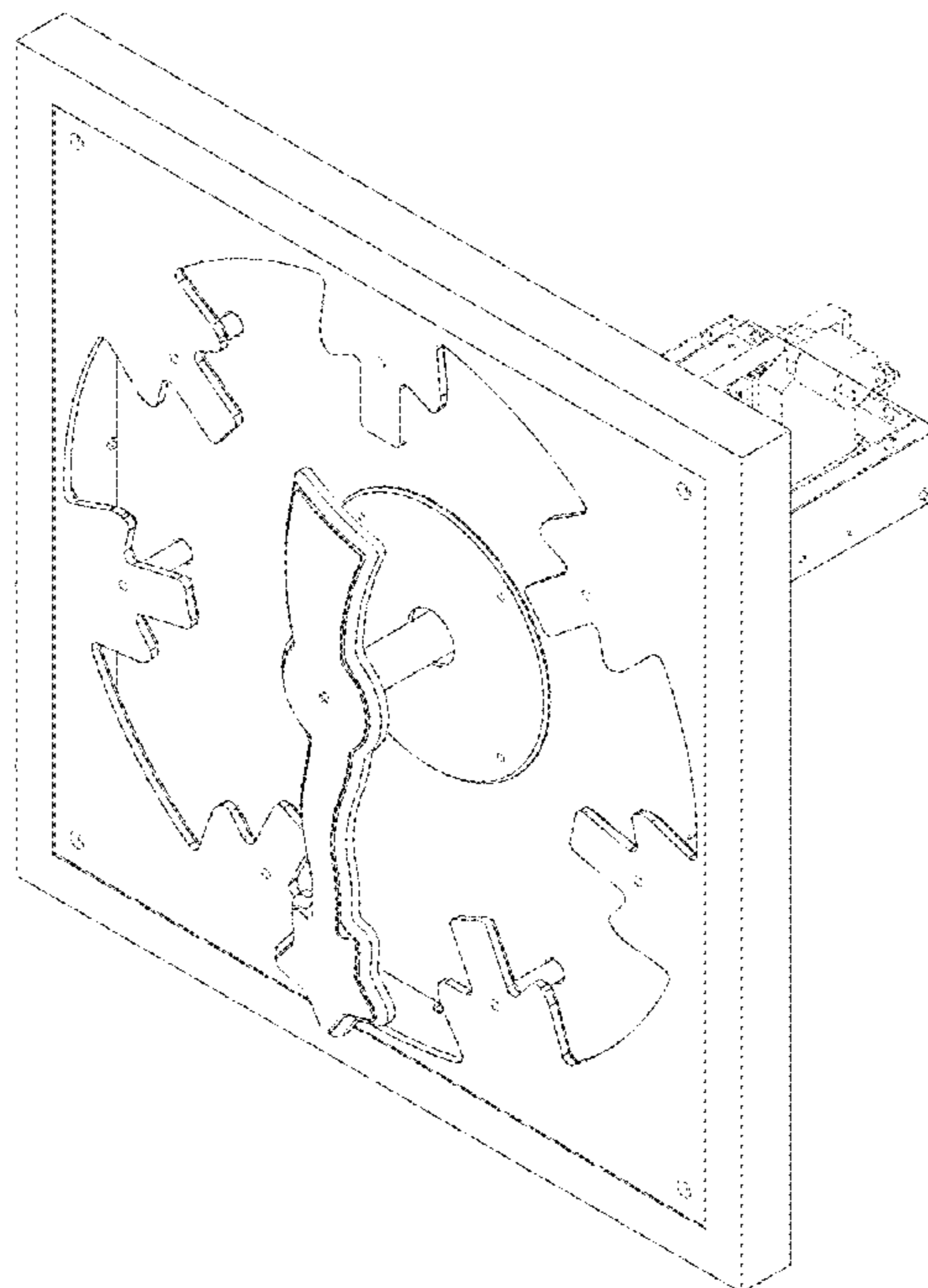


FIG. 1

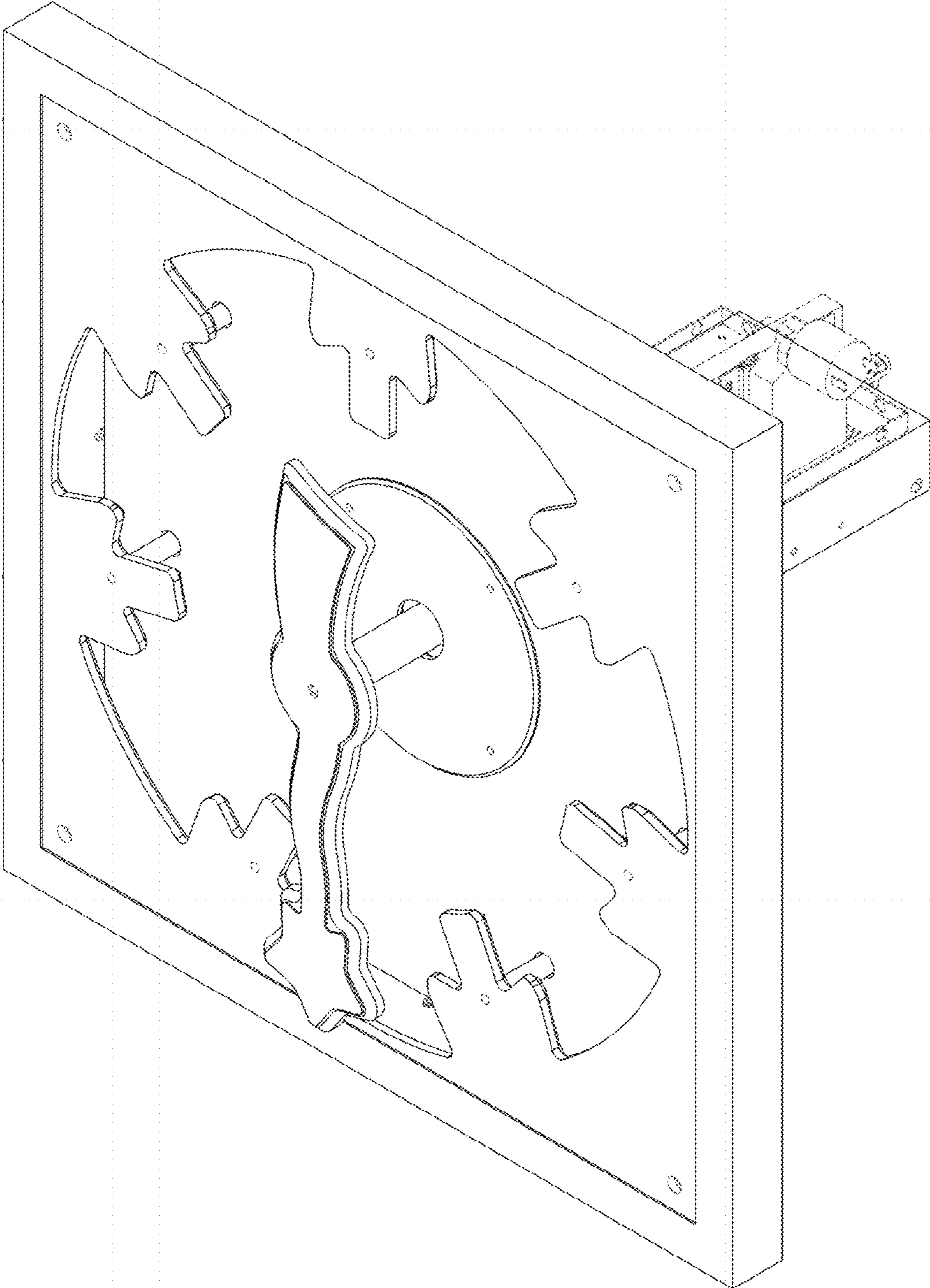


FIG. 2

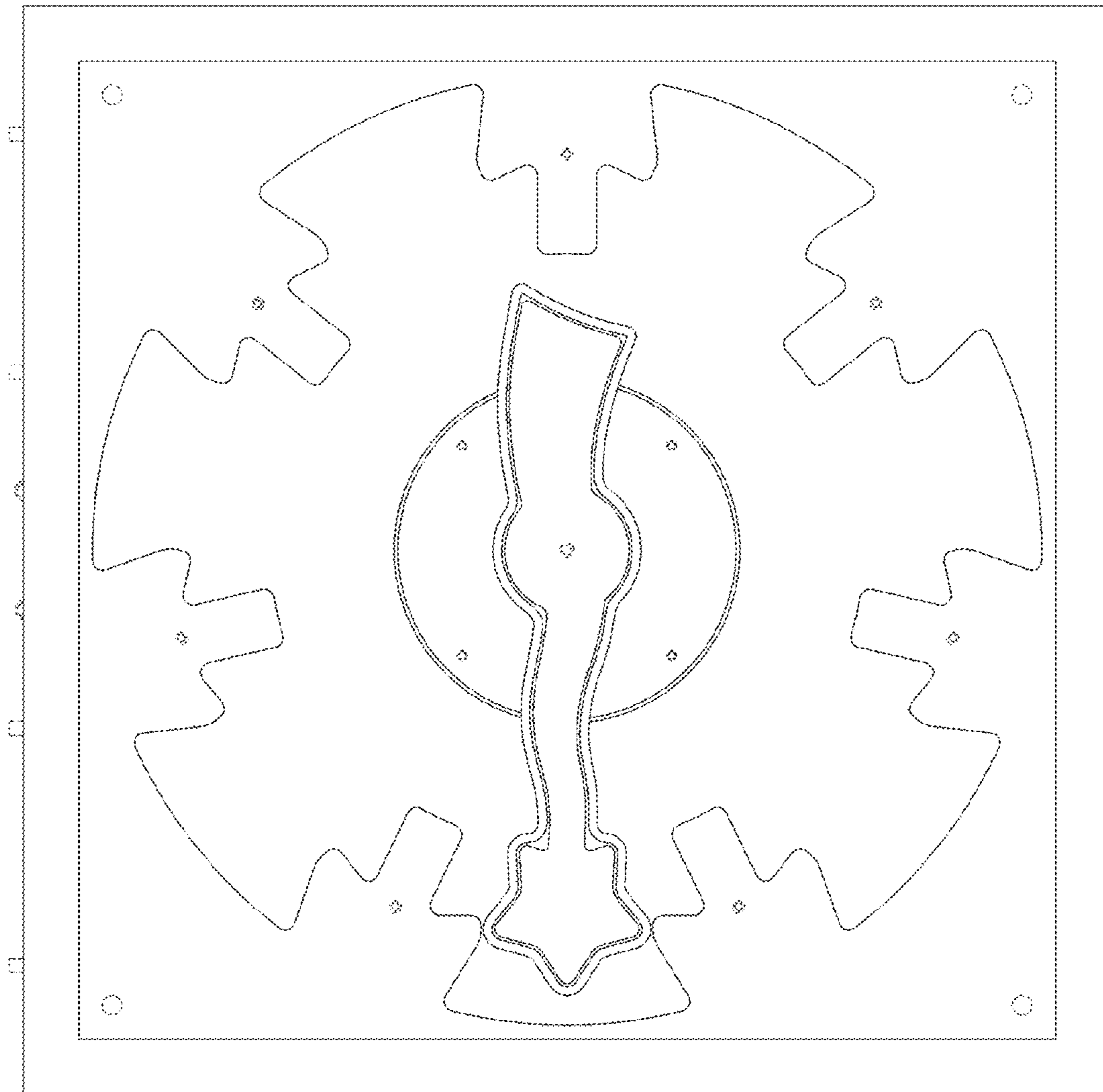


FIG. 3

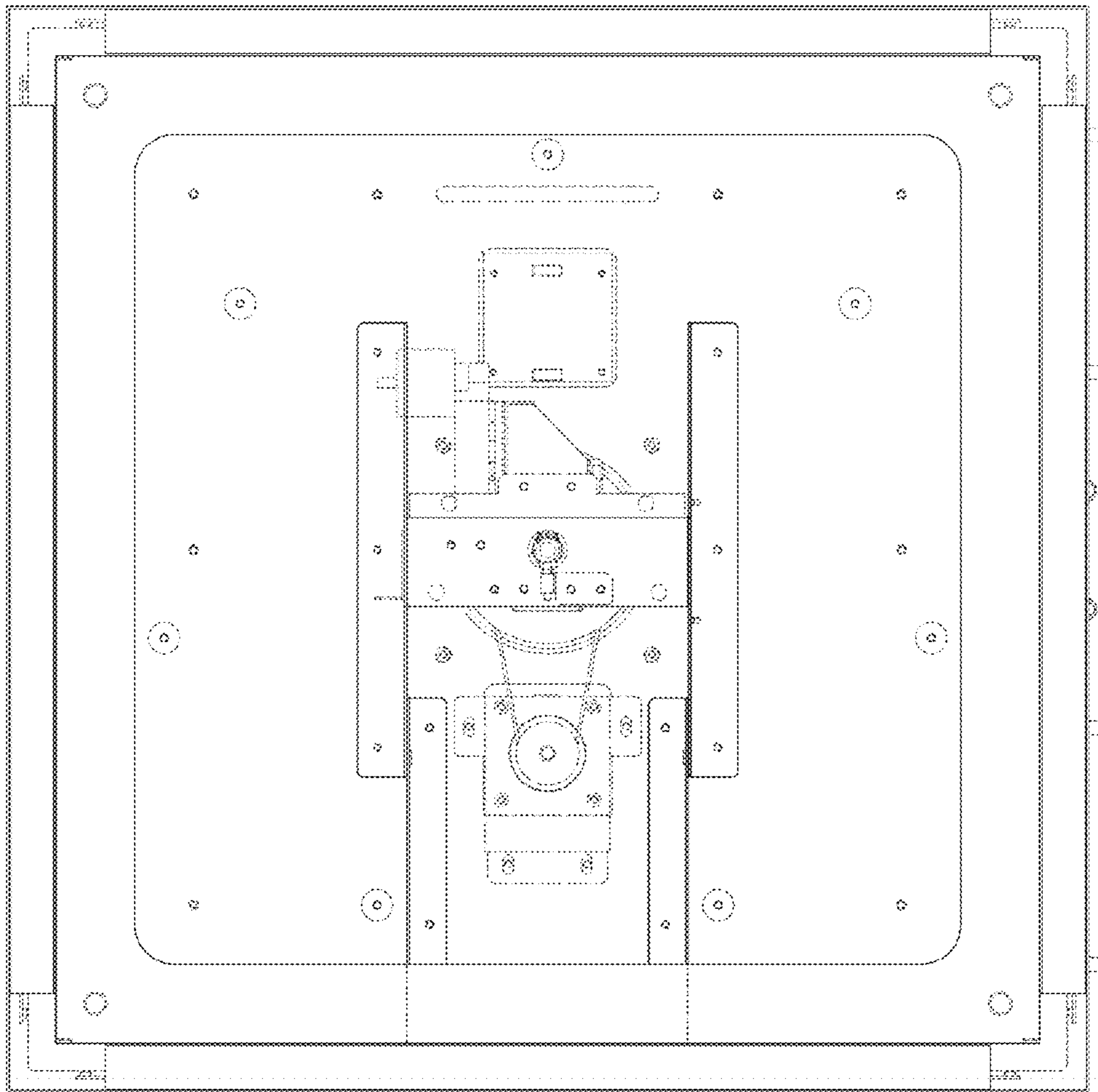


FIG. 4

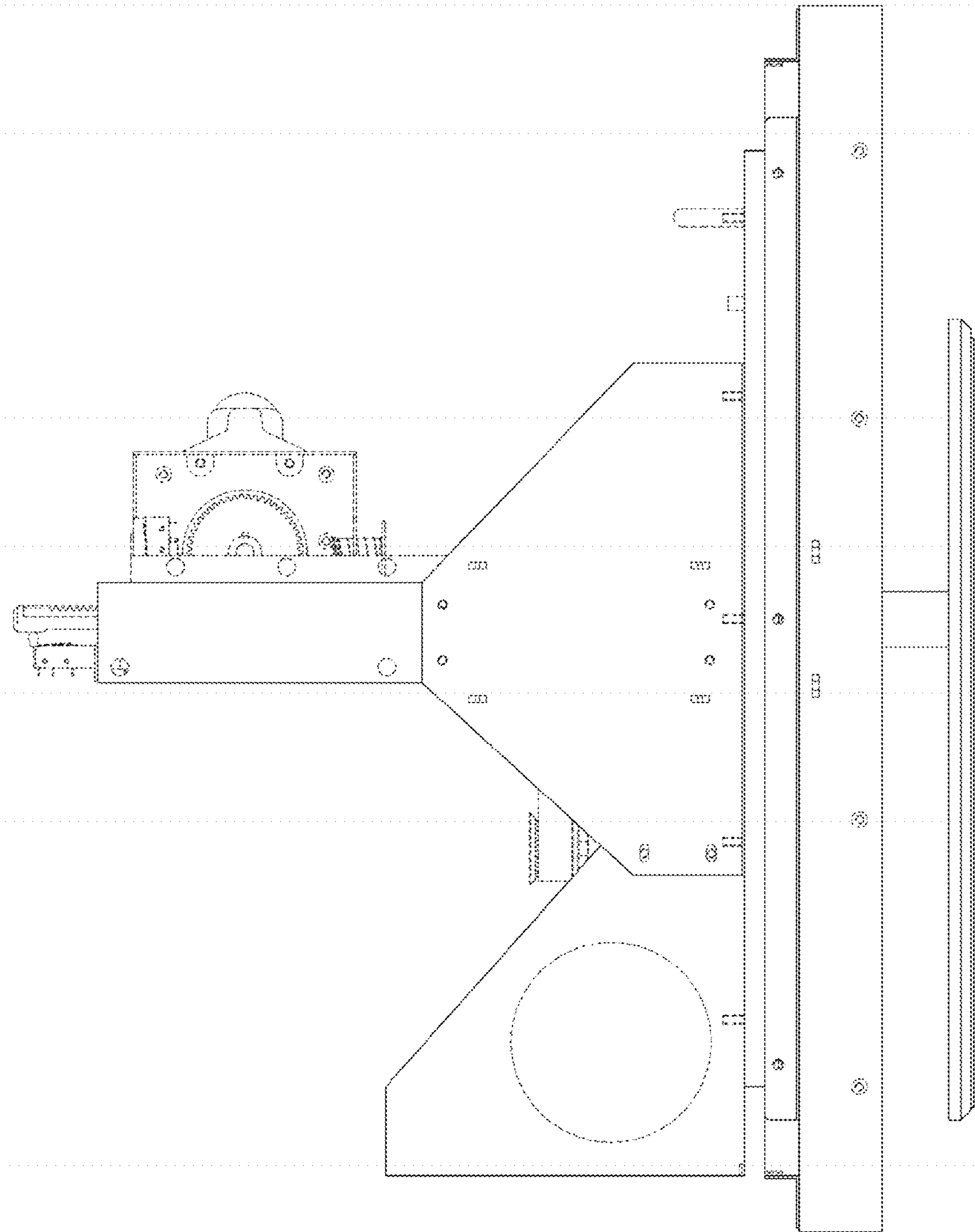


FIG. 5

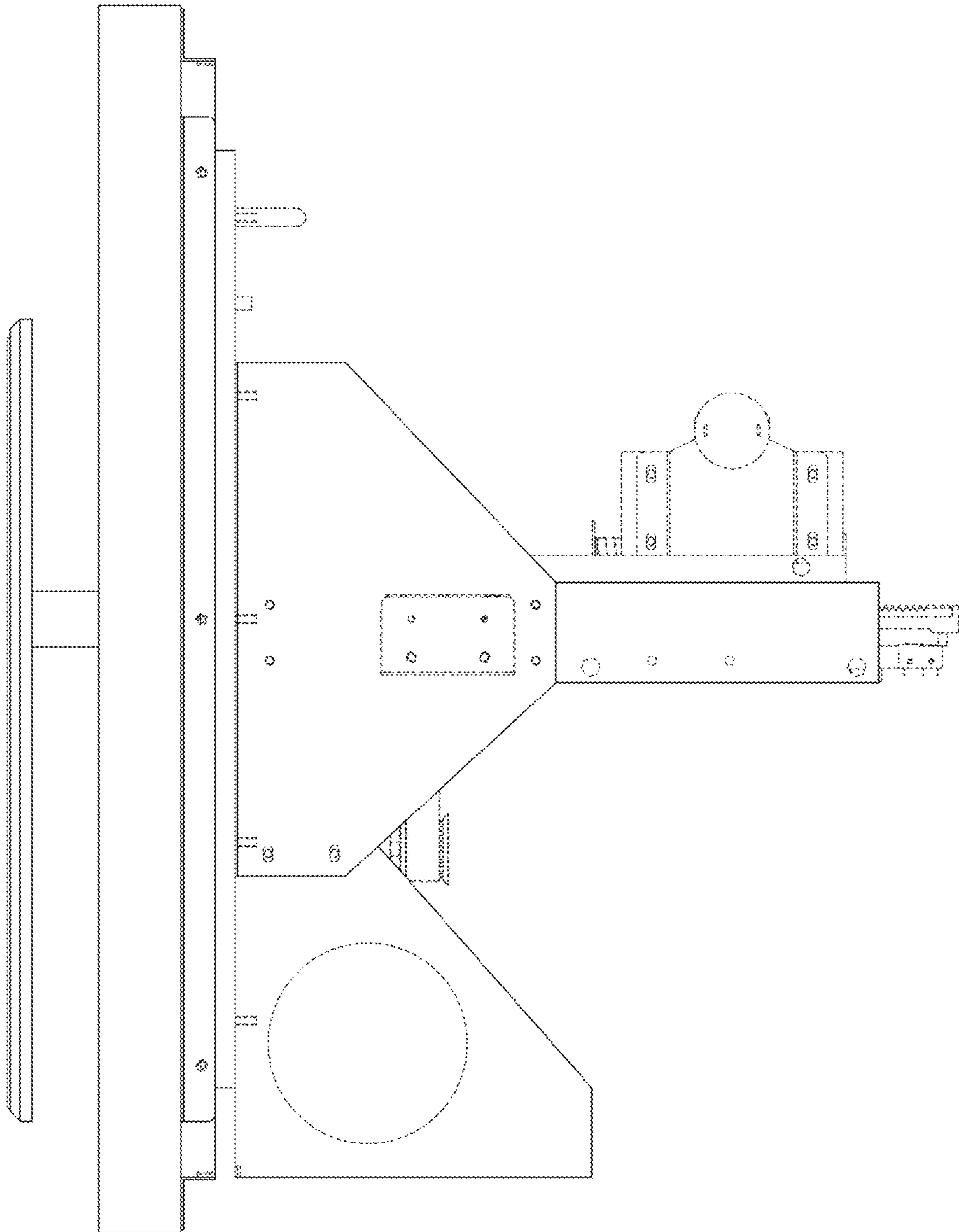


FIG. 6

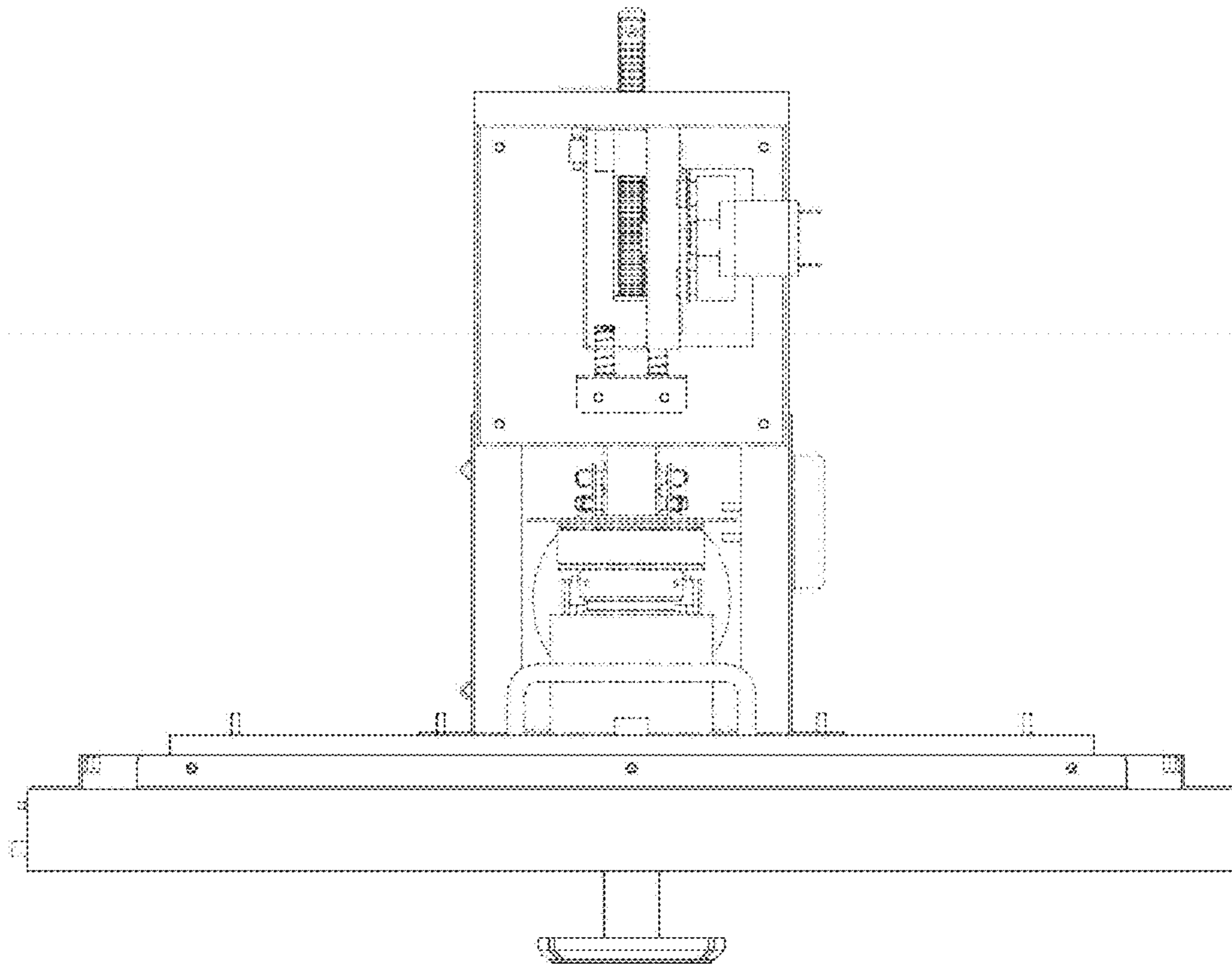


FIG. 7

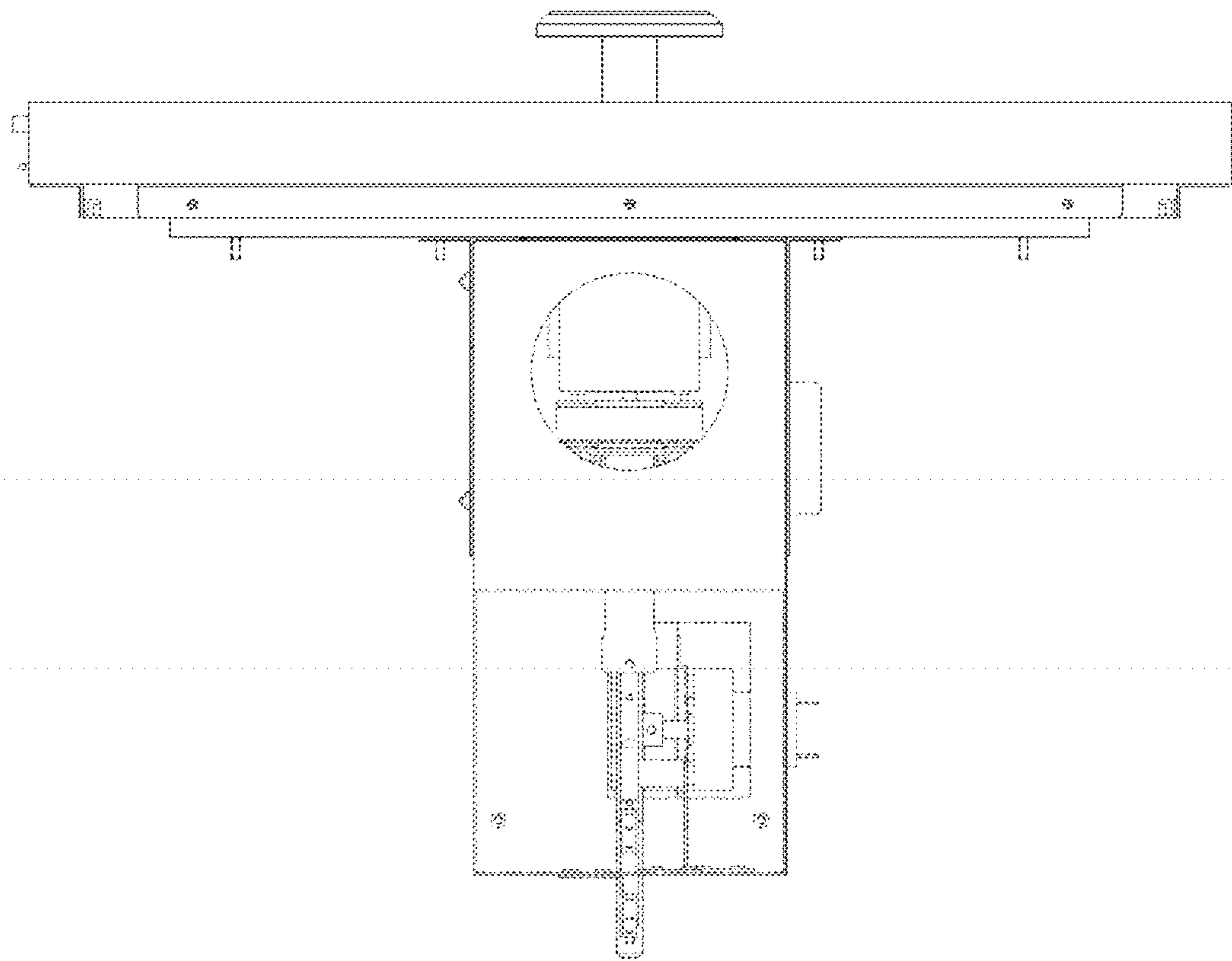


FIG. 8

