



US00D767037S

(12) **United States Design Patent**
Chatterjee et al.

(10) **Patent No.:** **US D767,037 S**

(45) **Date of Patent:** **** *Sep. 20, 2016**

- (54) **GAME CONTROLLER GRIP**
- (71) Applicant: **Microsoft Corporation**, Redmond, WA (US)
- (72) Inventors: **Monique Chatterjee**, Seattle, WA (US); **Christopher Kujawski**, Seattle, WA (US); **Richard T. Hanks**, Seattle, WA (US); **Jonah Griffith**, Seattle, WA (US); **Peter Newbury**, Portsmouth, NH (US)
- (73) Assignee: **Microsoft Corporation**, Redmond, WA (US)
- (*) Notice: This patent is subject to a terminal disclaimer.
- (**) Term: **14 Years**
- (21) Appl. No.: **29/524,684**
- (22) Filed: **Apr. 22, 2015**
- (51) **LOC (10) Cl.** **21-01**
- (52) **U.S. Cl.**
USPC **D21/333**
- (58) **Field of Classification Search**
USPC D14/399-401, 412-418; D21/148 B; 463/1, 29-39, 46, 47; 345/156-161, 345/905
CPC A63F 13/02; A63F 9/24; A63F 13/12; A63F 9/00; A63F 11/00; A63F 71/00; G06F 3/02; G06F 3/033; G09G 5/00
See application file for complete search history.

(56) **References Cited**

U.S. PATENT DOCUMENTS

- D398,214 S 9/1998 Yui
- D424,047 S 5/2000 Chan
- D435,551 S 12/2000 Hayes
- D449,042 S 10/2001 Chung
- D453,932 S 2/2002 Han et al.
- 6,463,159 B1 10/2002 Ming-Cheng

- D467,922 S 12/2002 Lee
- 6,512,511 B2 * 1/2003 Willner A63F 13/06 345/156
- 6,743,100 B1 6/2004 Neiser
- 6,968,070 B1 11/2005 Chiang
- D521,015 S 5/2006 Hayes et al.
- D522,011 S 5/2006 Hayes et al.
- D522,012 S 5/2006 Hayes et al.
- 7,063,321 B2 6/2006 Hussaini et al.

(Continued)

OTHER PUBLICATIONS

Side-by-side: Xbox One Gamepad vs Xbox 360 gamepad (Jun. 11, 2013), <http://www.techradar.com/us/news/gaming/consoles/side-by-side-xbox-one-gamepad-vs-xbox-360-gamepad-1158091>.

Primary Examiner — Prabhakar Deshmukh
(74) *Attorney, Agent, or Firm* — Banner & Witcoff, Ltd.

(57) **CLAIM**

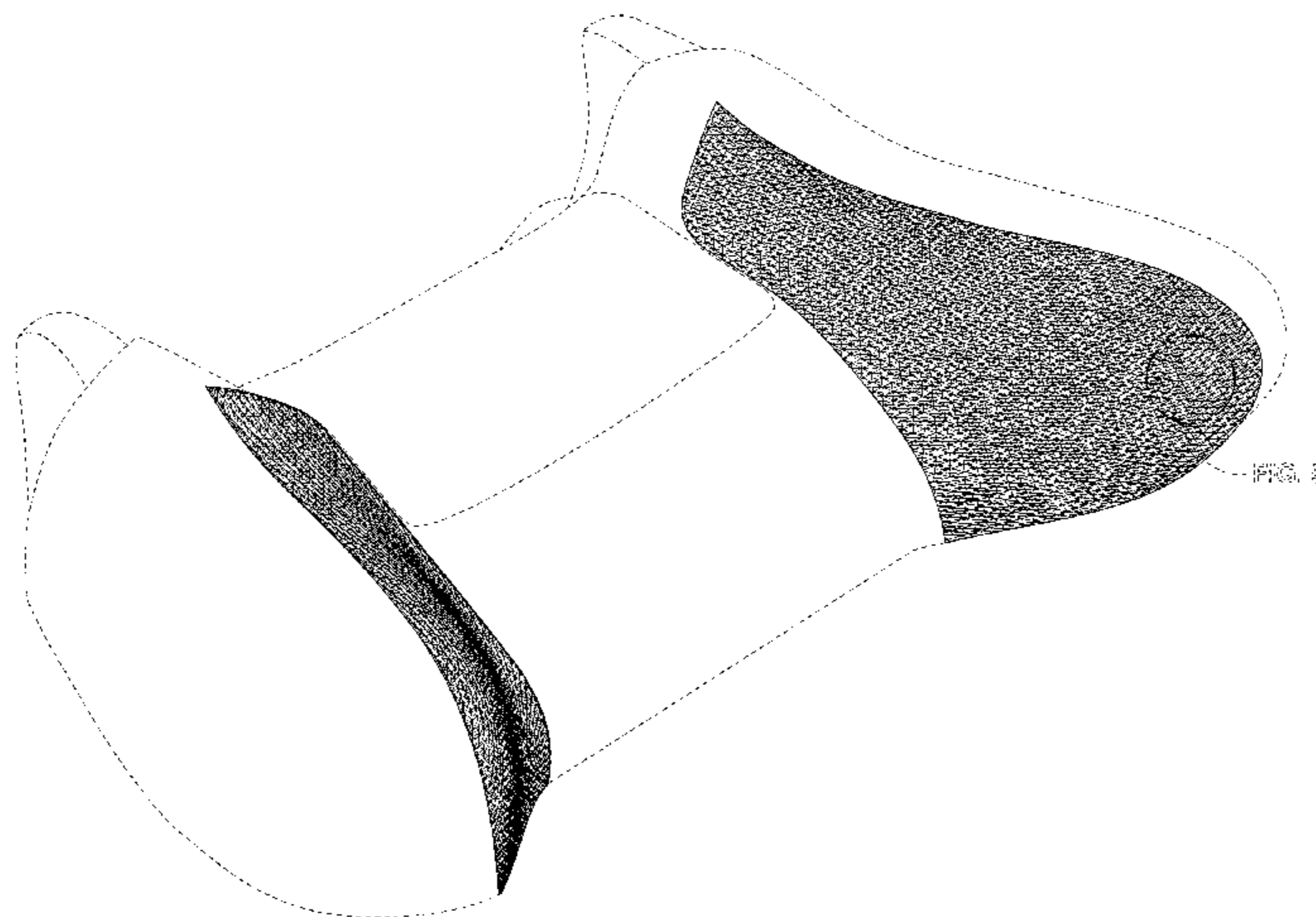
The ornamental design for a game controller grip, as shown and described.

DESCRIPTION

FIG. 1 is a rear perspective view of a game controller grip showing our new design with a region for enlargement; FIG. 2 is a front perspective view thereof; FIG. 3 is a bottom view thereof; FIG. 4 is a front view thereof; FIG. 5 is a rear view thereof; FIG. 6 is a left side view thereof; FIG. 7 is a right side view thereof; FIG. 8 is a top view thereof; and, FIG. 9 is an enlarged view of the region identified by the label "FIG. 9" shown in FIG. 1.

The broken line showing of the remainder of the game controller in FIGS. 1-8 is for environmental purposes only and forms no part of the claimed design. The broken line "FIG. 9" label, the uneven length broken line, and the curved broken lead line shown in FIG. 1 form no part of the claimed design.

1 Claim, 8 Drawing Sheets



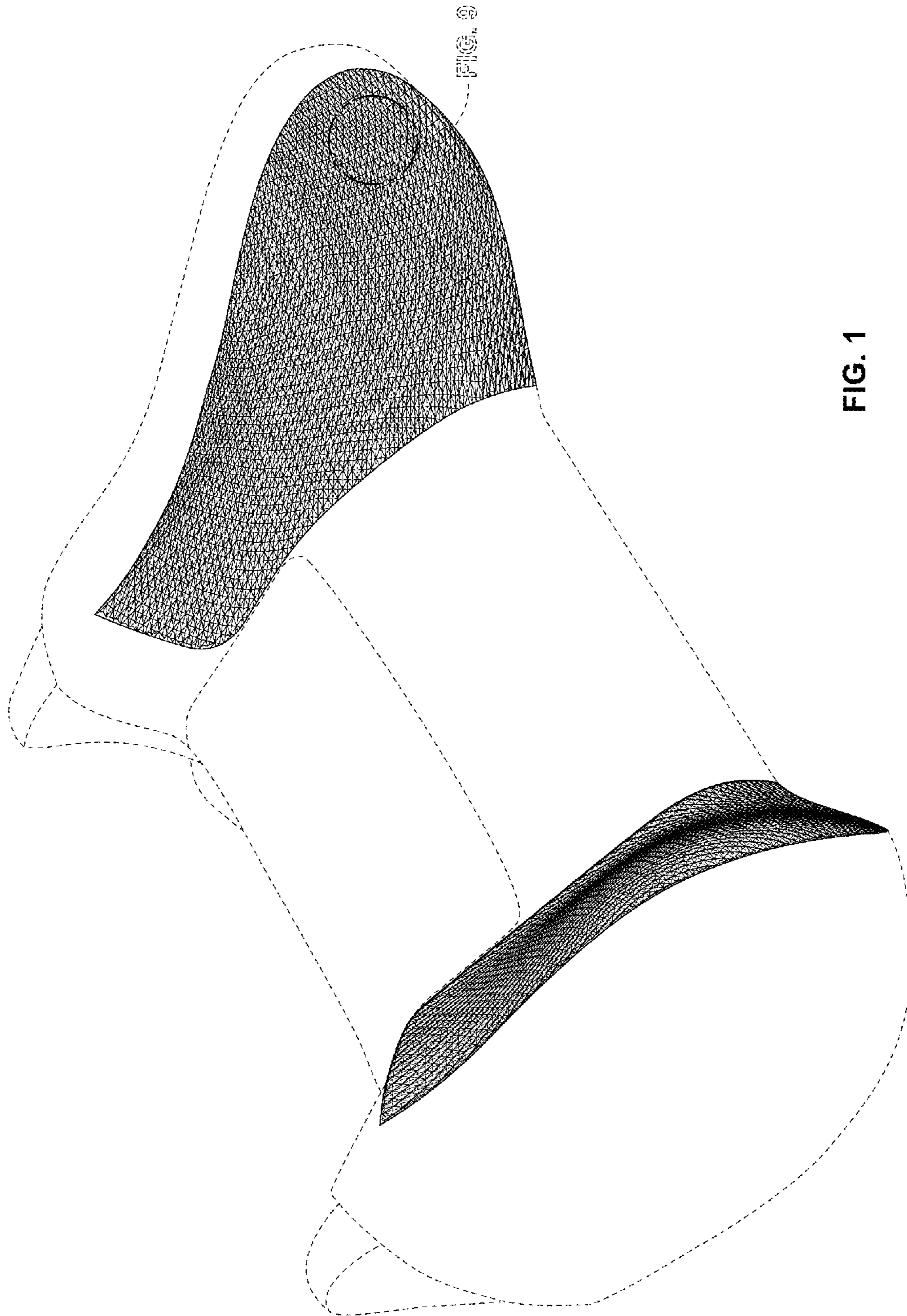


FIG. 1

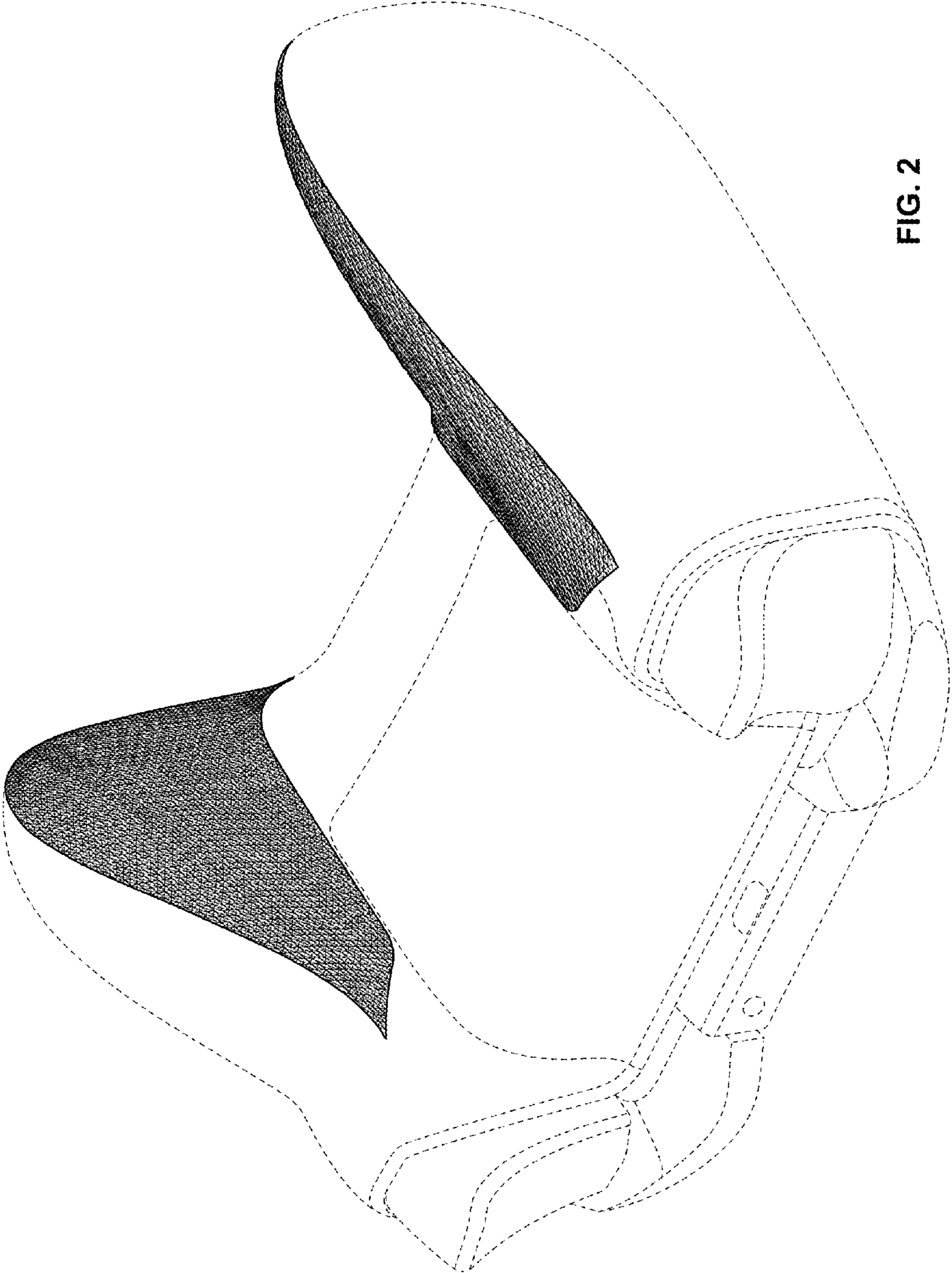


FIG. 2

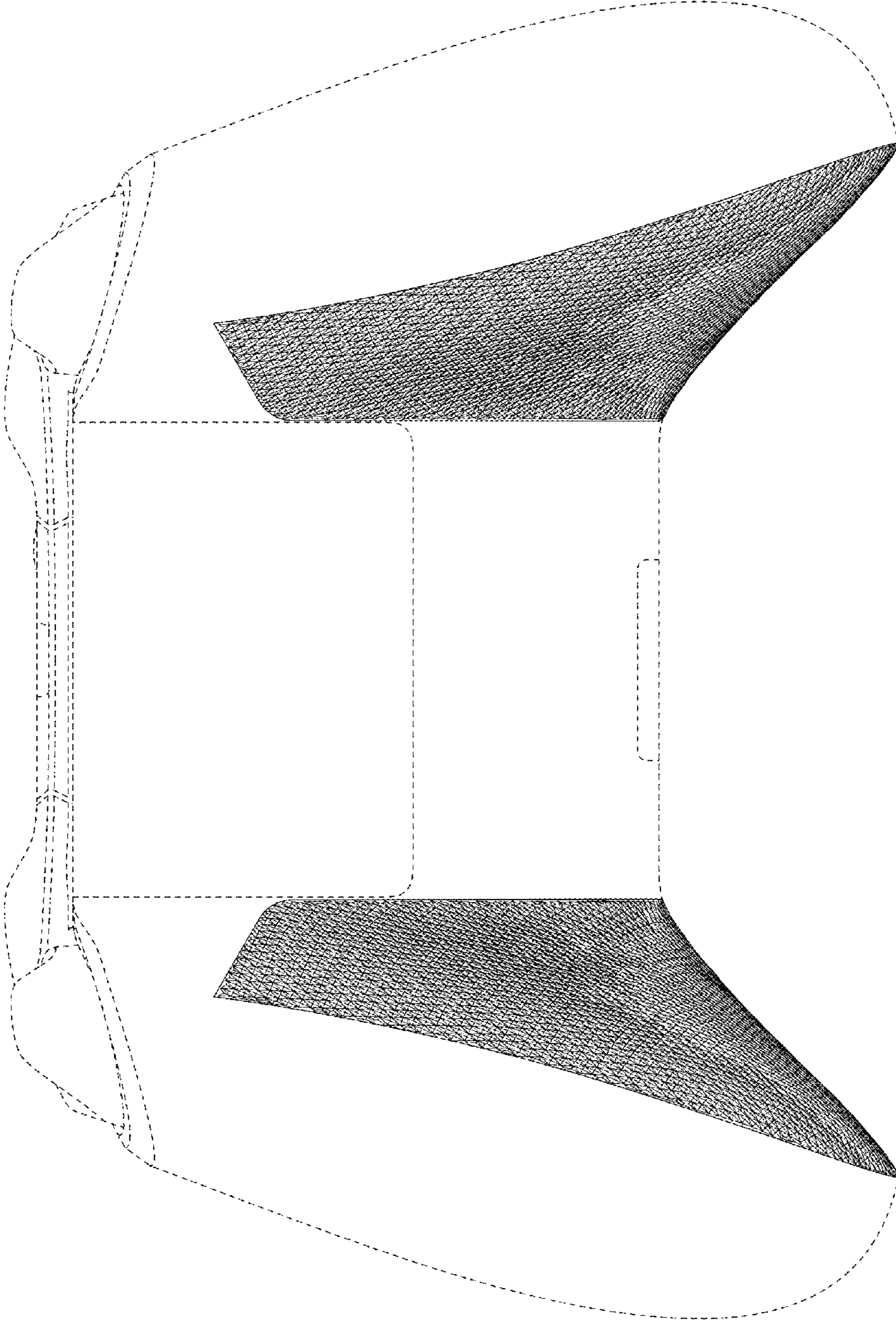


FIG. 3

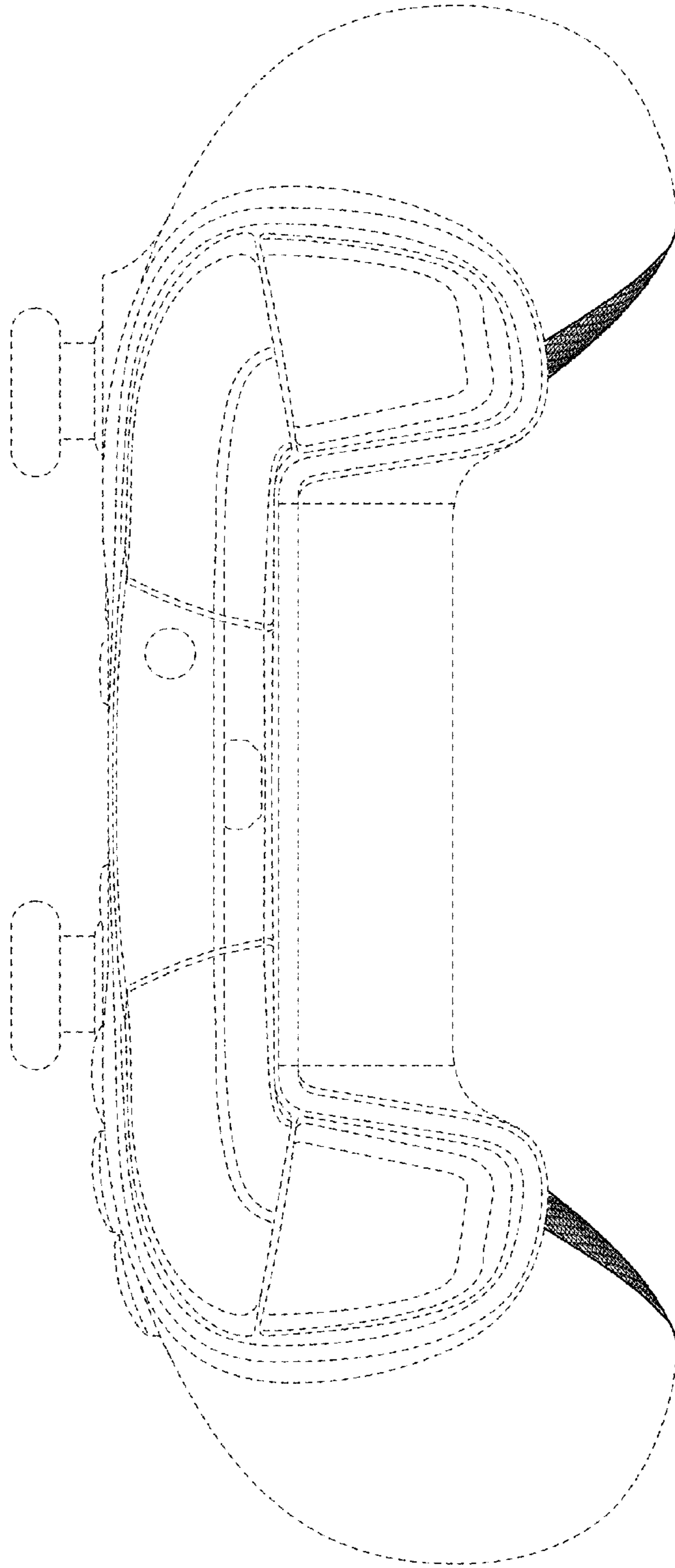


FIG. 4

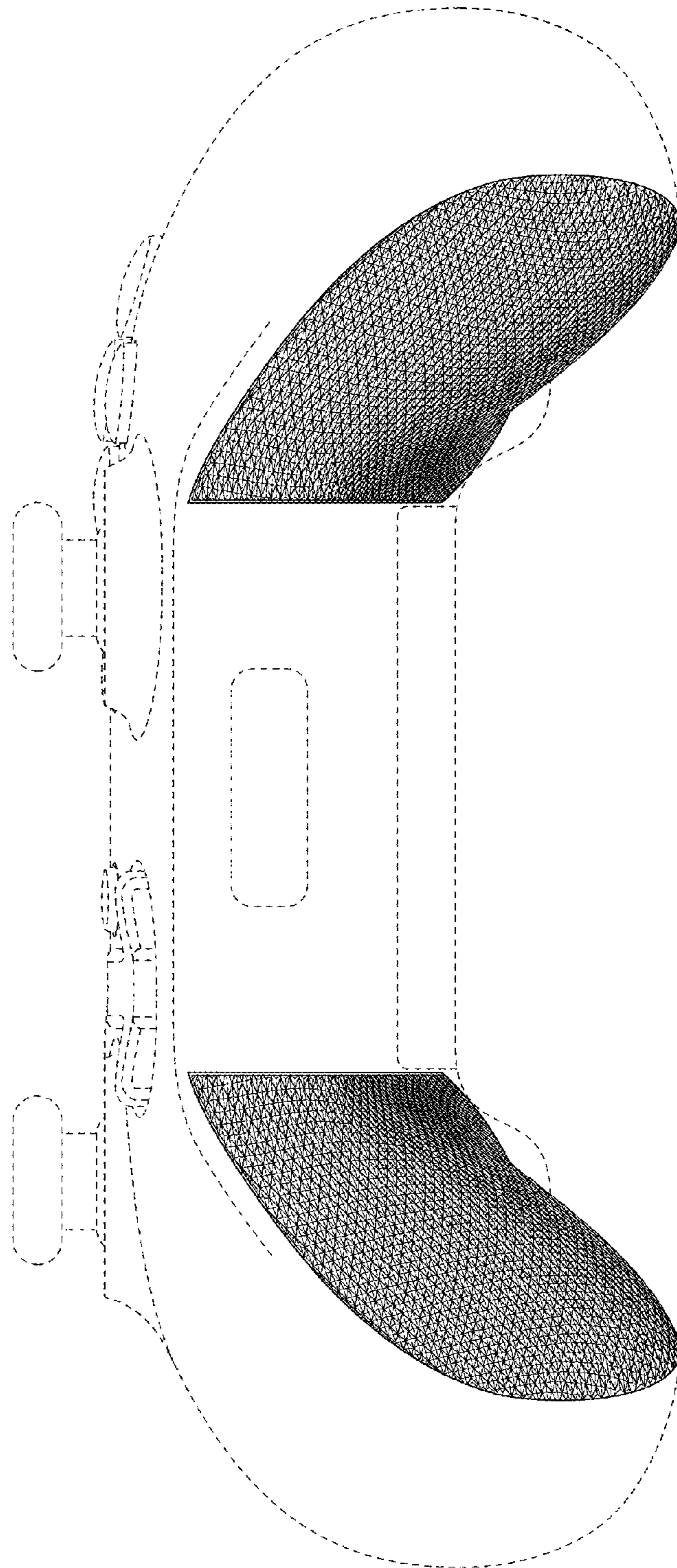


FIG. 5

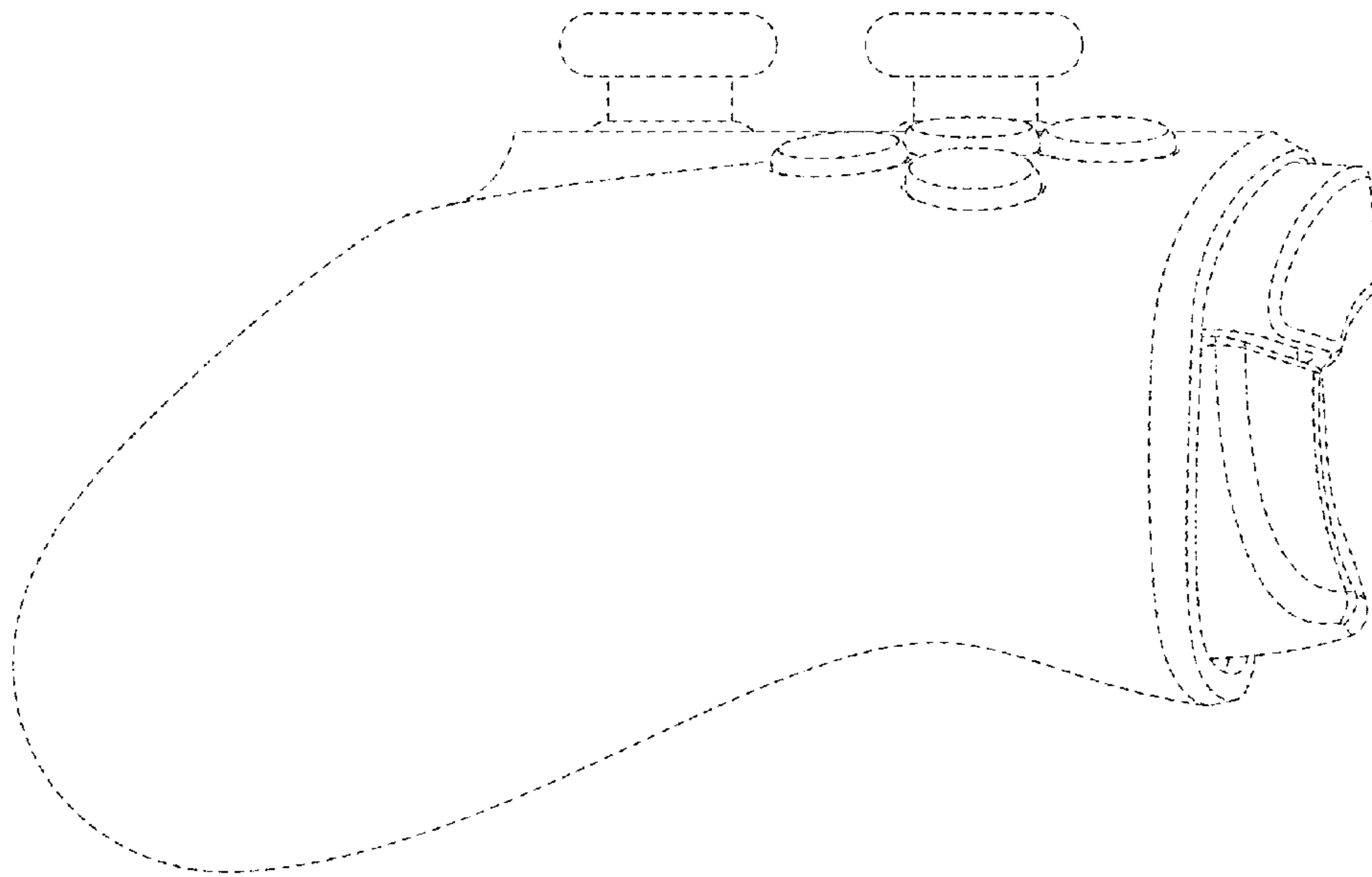


FIG. 6

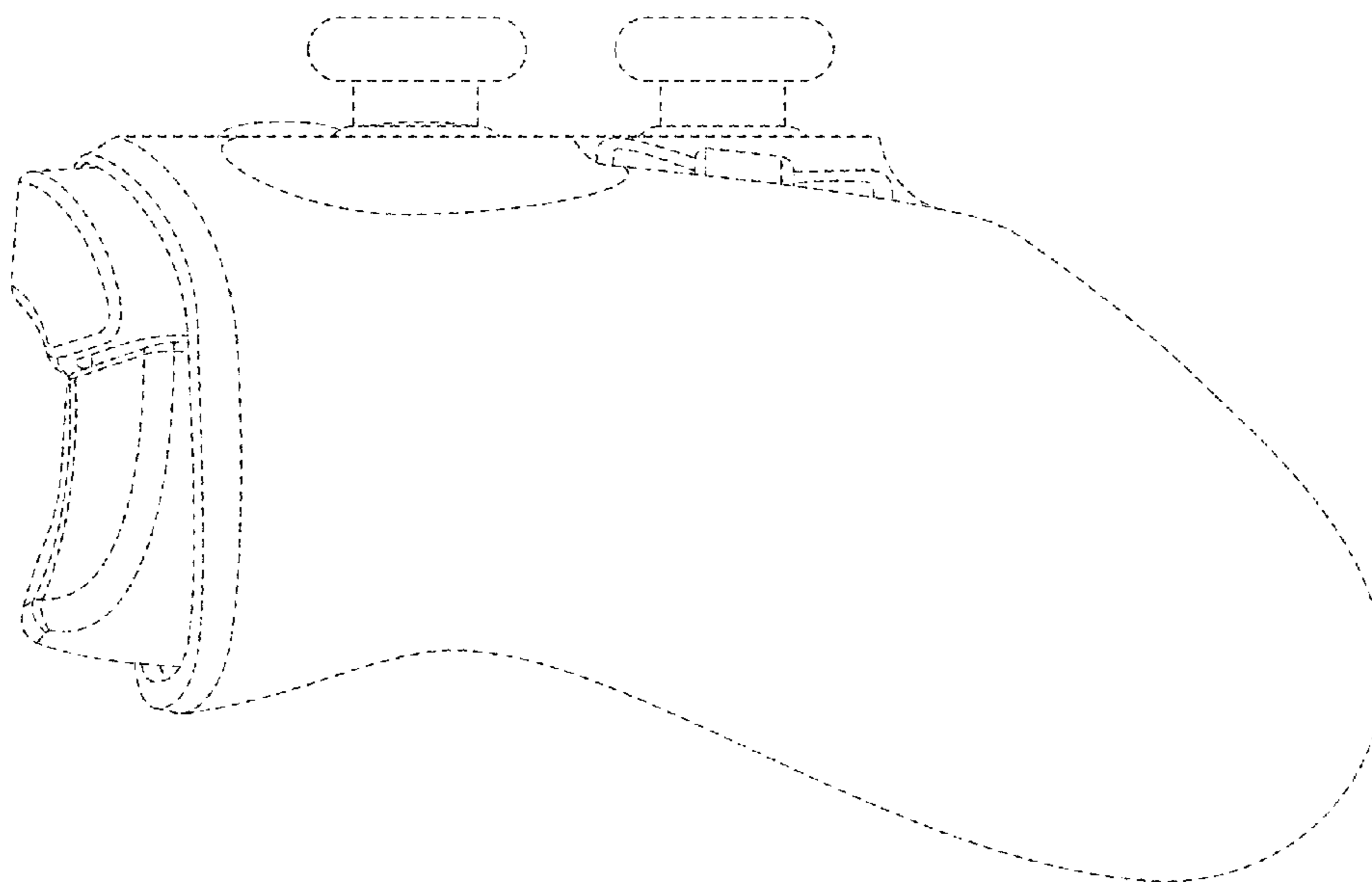


FIG. 7

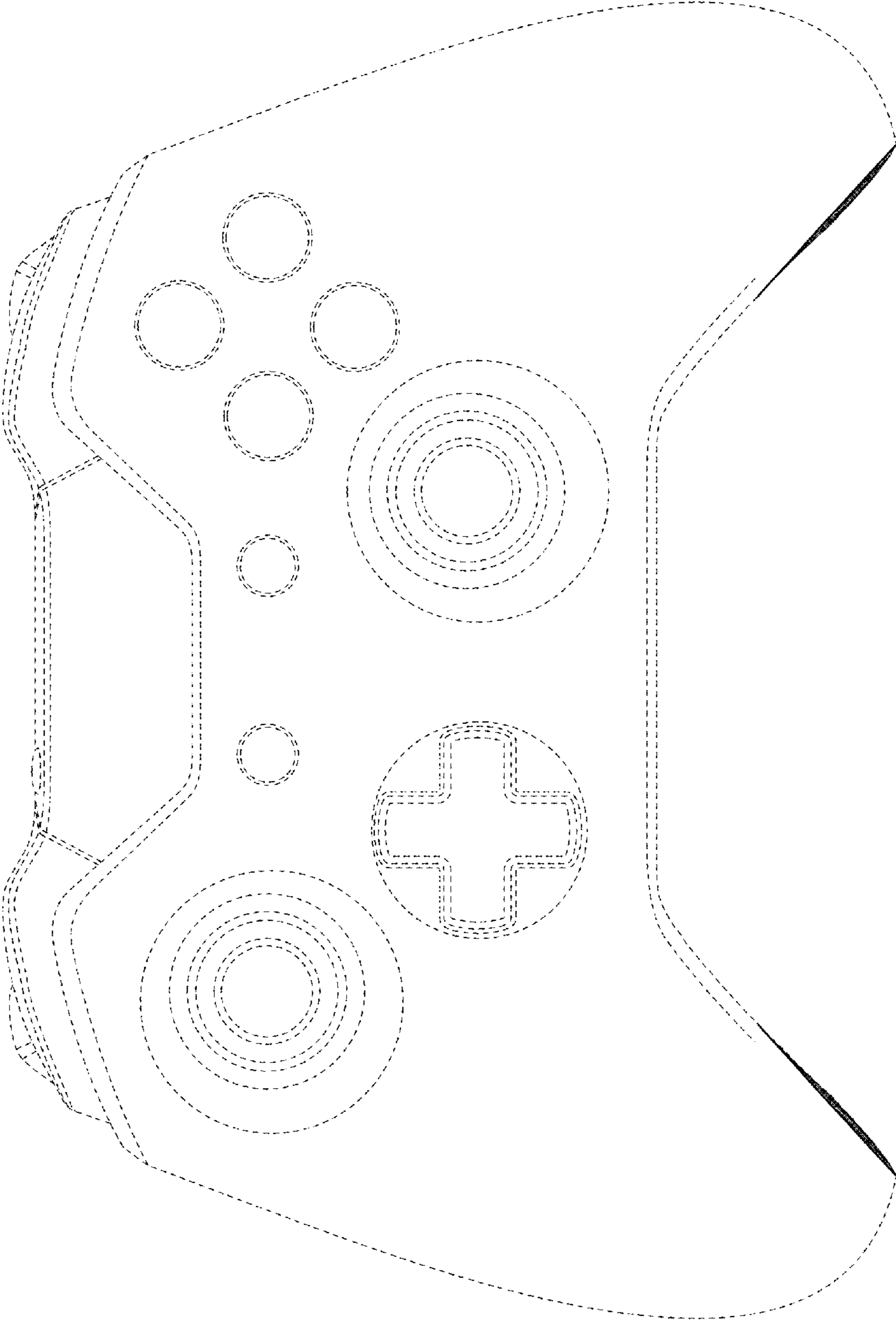


FIG. 8

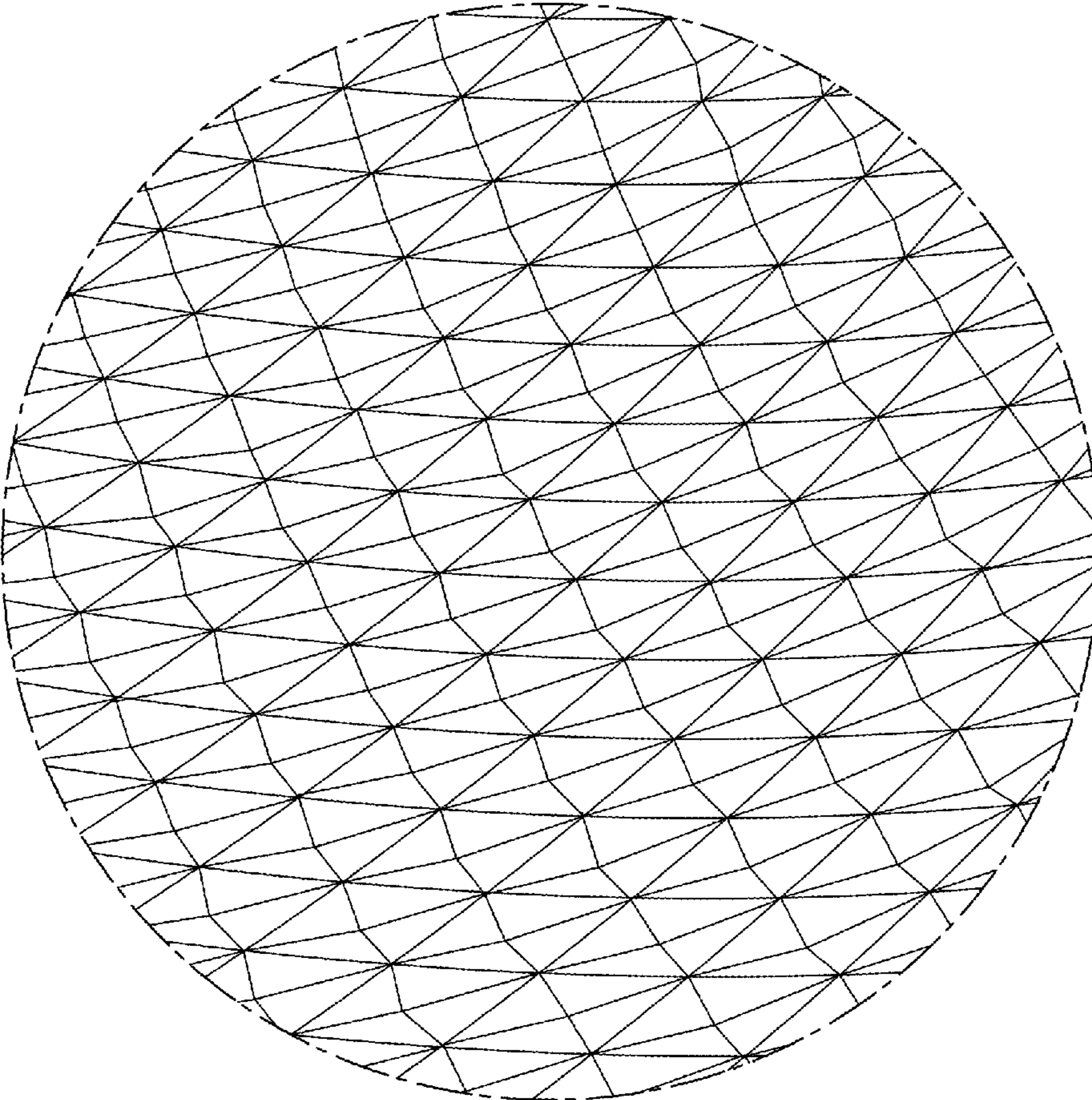


FIG. 9