



US00D767036S

(12) **United States Design Patent**
Hammar

(10) **Patent No.:** **US D767,036 S**

(45) **Date of Patent:** **** Sep. 20, 2016**

(54) **SUPPORT FOR SIGNS**

(71) Applicant: **Lars Hammar**, Bjursås (SE)

(72) Inventor: **Lars Hammar**, Bjursås (SE)

(**) Term: **14 Years**

(21) Appl. No.: **29/525,114**

(22) Filed: **Apr. 27, 2015**

(30) **Foreign Application Priority Data**

Oct. 31, 2014 (EM) 002568840

(51) **LOC (10) Cl.** **20-03**

(52) **U.S. Cl.**
USPC **D20/43**

(58) **Field of Classification Search**
USPC D20/10, 42-44, 99; D8/72-74, 349
CPC G09F 1/10; G09F 1/103; G09F 1/12;
G09F 1/14; G09F 2001/106; G09F 3/18;
G09F 3/185; G09F 3/20; G09F 3/201;
G09F 3/202; G09F 3/204; G09F 7/10;
G09F 7/18; A47G 29/083; A47F 5/0869
See application file for complete search history.

(56) **References Cited**

U.S. PATENT DOCUMENTS

D376,388 S * 12/1996 Hall D20/43
D398,833 S * 9/1998 Hammar D8/349
D484,017 S * 12/2003 Knox D8/72

D557,746 S * 12/2007 Hammar D20/43
D634,788 S * 3/2011 Andersson D20/43
8,827,225 B2 * 9/2014 Andersson G09F 7/18
248/309.1
2008/0134554 A1 * 6/2008 Pitcher G09F 7/18
40/606.14
2010/0025555 A1 * 2/2010 Shigio A47G 29/083
248/284.1

* cited by examiner

Primary Examiner — Mary Ann Calabrese

(74) *Attorney, Agent, or Firm* — Dilworth & Barrese, LLP

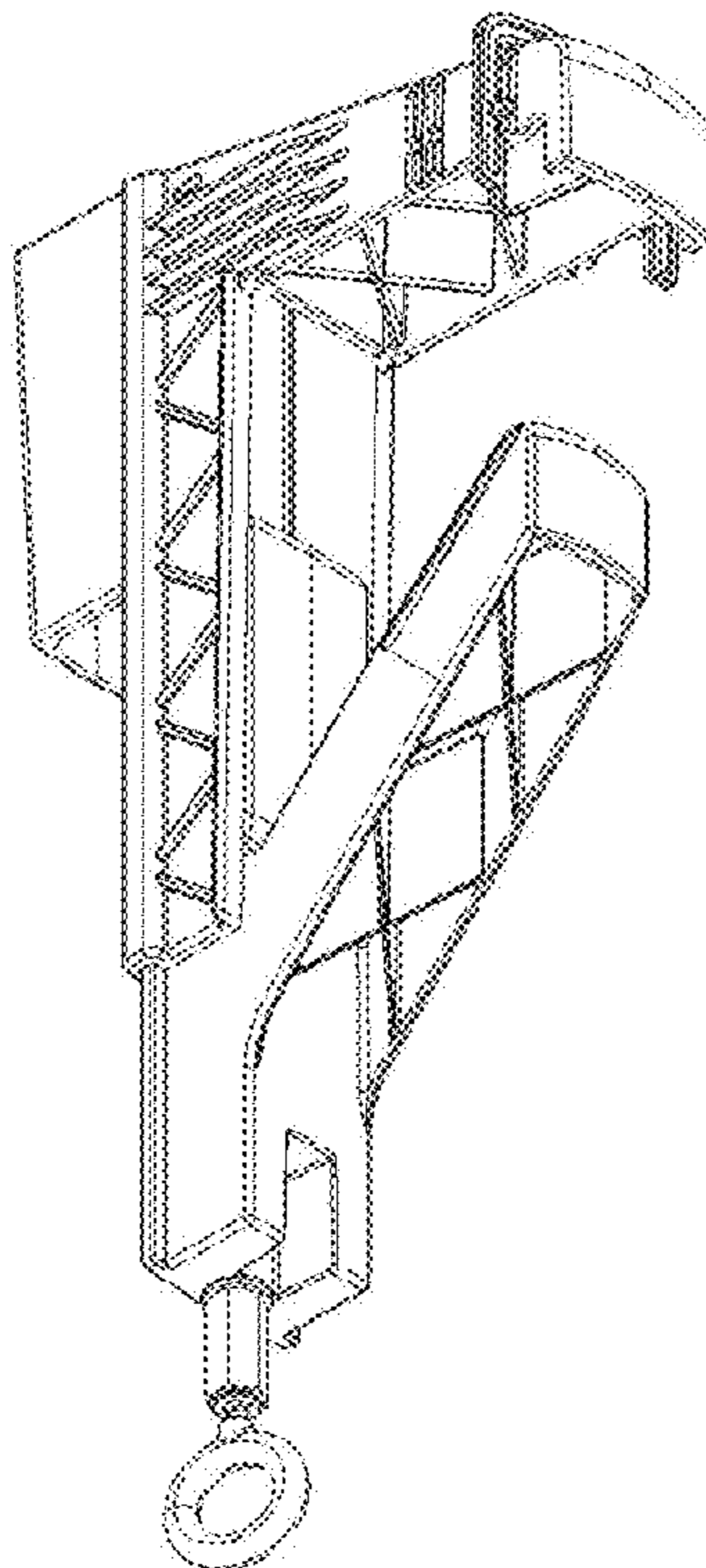
(57) **CLAIM**

The ornamental design for a support for signs, as shown and described.

DESCRIPTION

FIG. 1 is a right, rear perspective view from below of the support for signs showing my new design;
FIG. 2 is a front elevational view of the support for signs of FIG. 1;
FIG. 3 is a rear reduced scale elevational view of the support for signs of FIGS. 1 and 2;
FIG. 4 is a right side reduced scale elevational view of the support for signs of FIGS. 1-3;
FIG. 5 is an enlarged bottom plan view of the support for signs of FIGS. 1-4;
FIG. 6 is an enlarged top plan view of the support for signs of FIGS. 1-5; and,
FIG. 7 is a left side reduced scale elevational view of the support for signs of FIGS. 1-6.

1 Claim, 7 Drawing Sheets



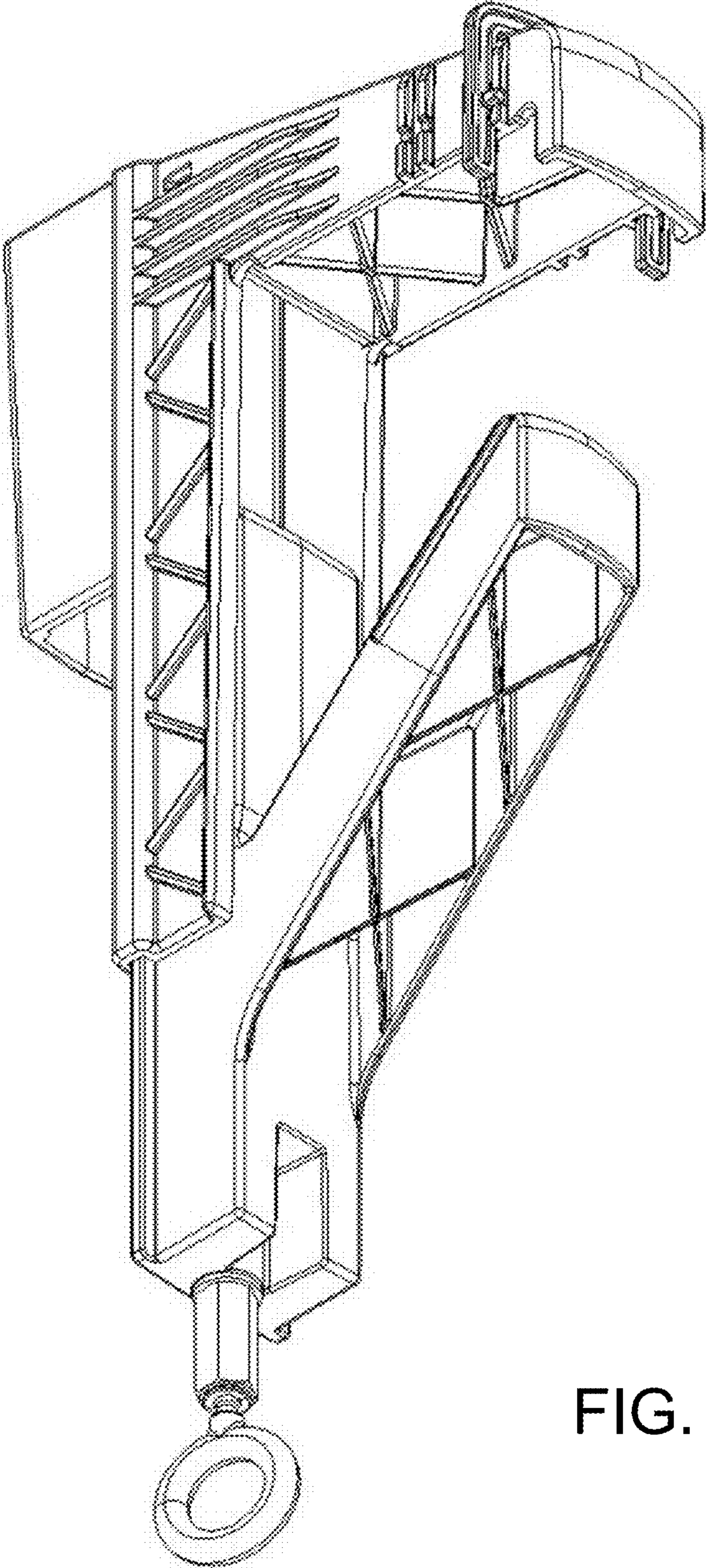


FIG. 1

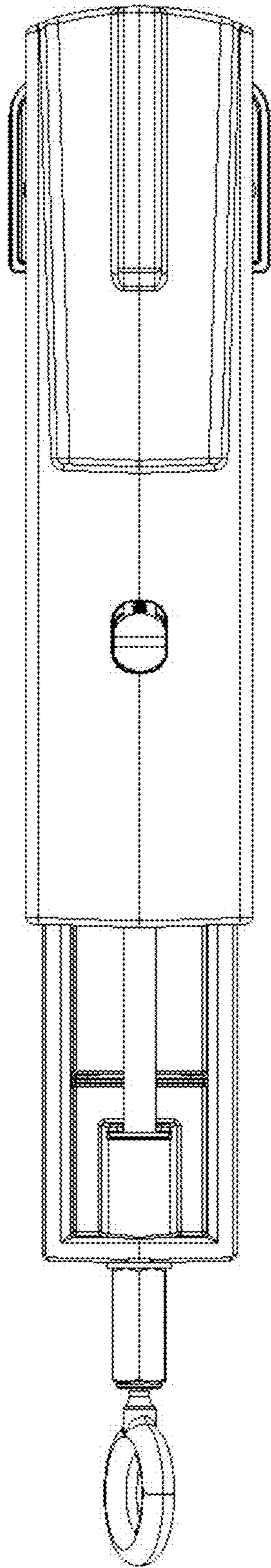


FIG. 2

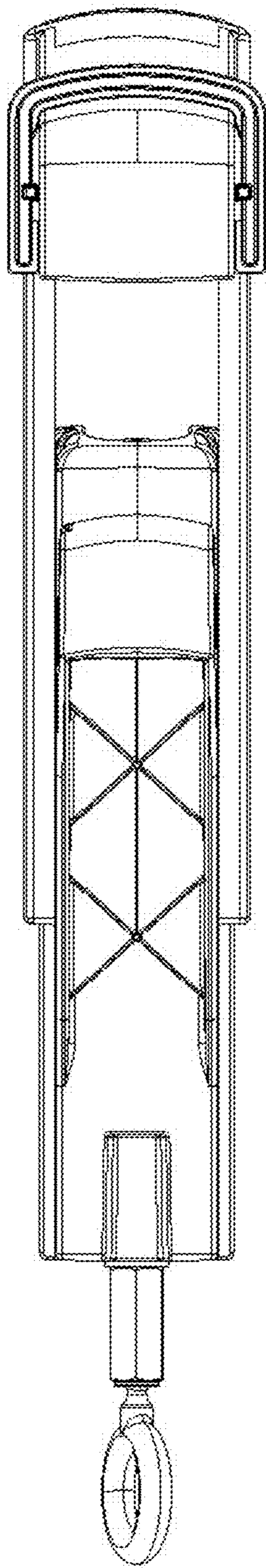


FIG. 3

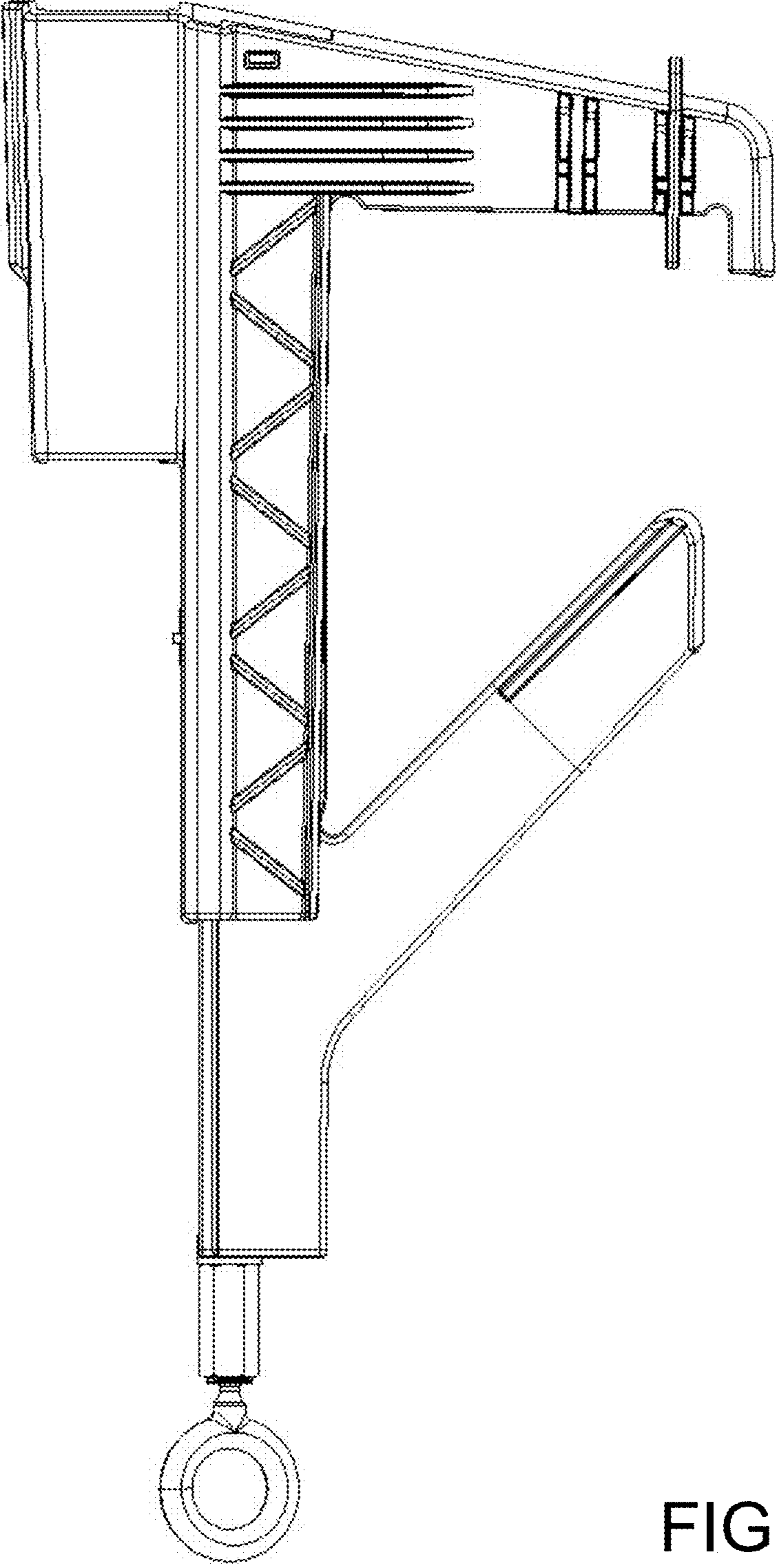


FIG. 4

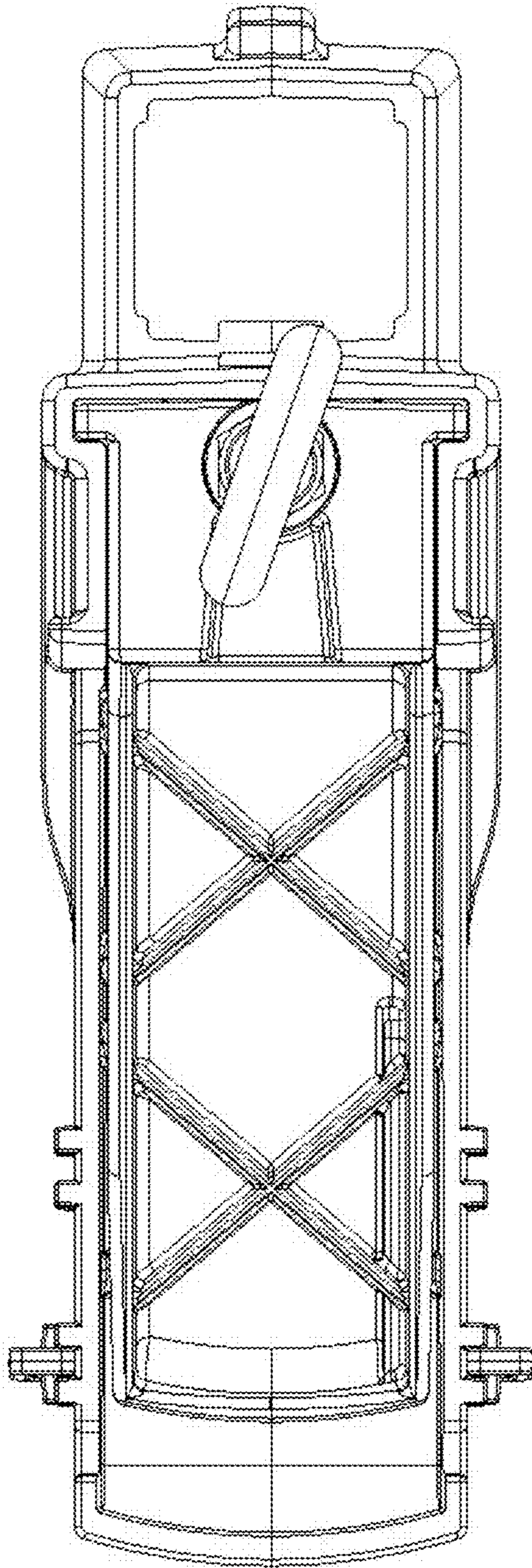


FIG. 5

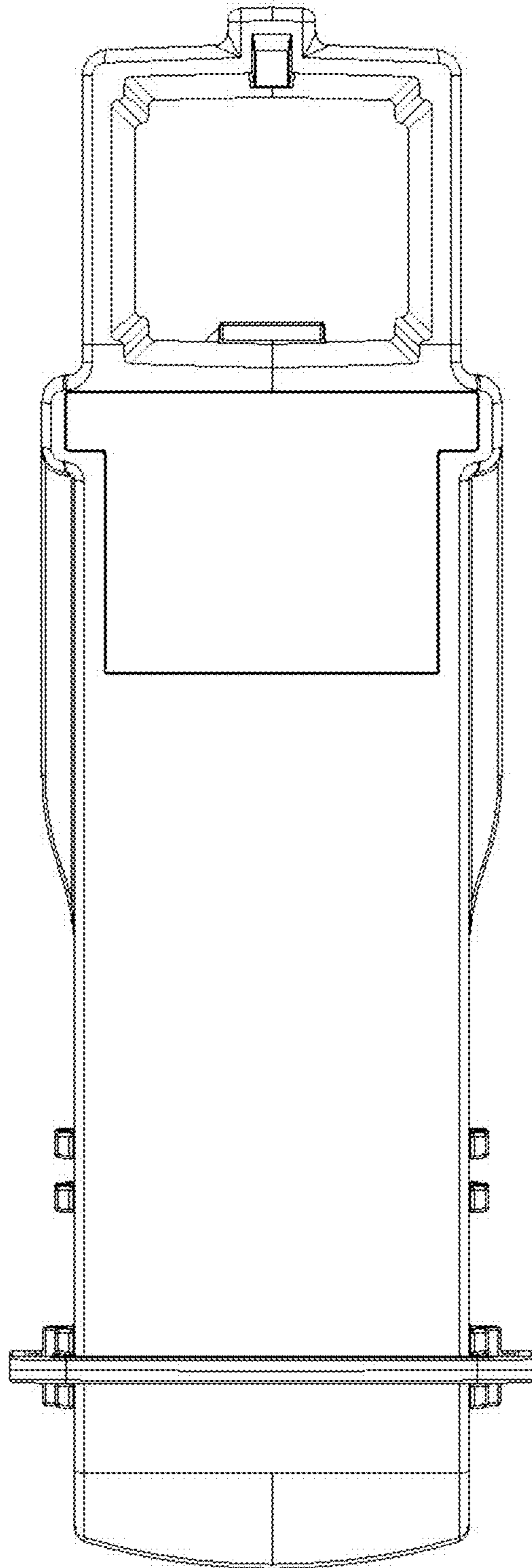


FIG. 6

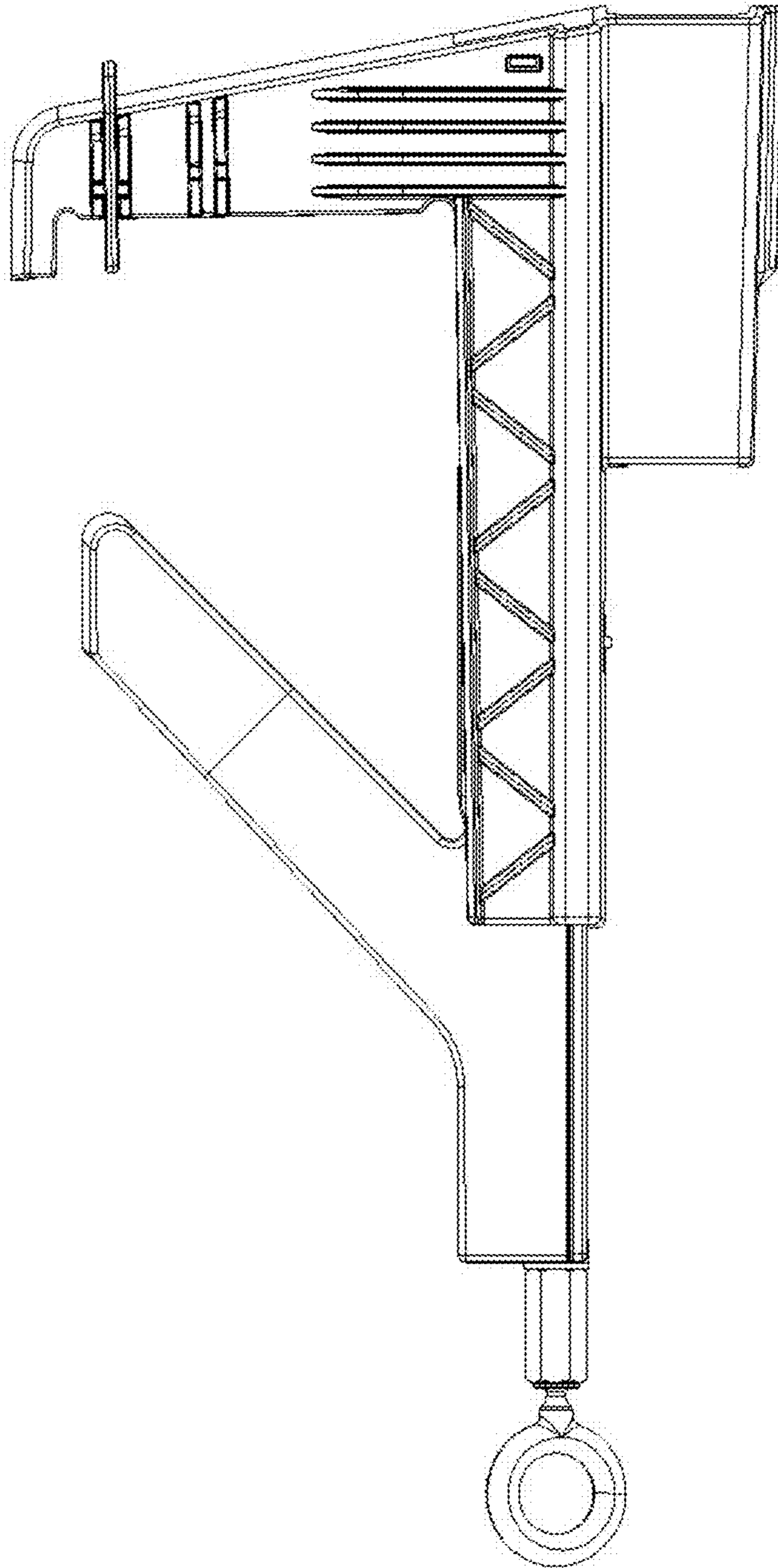


FIG. 7