



US00D767019S

(12) **United States Design Patent**
Kim et al.

(10) **Patent No.:** **US D767,019 S**
(45) **Date of Patent:** **** Sep. 20, 2016**

(54) **PRINTER**

(71) Applicant: **Samsung Electronics Co., Ltd.**,
Suwon-si (KR)

(72) Inventors: **Min Chul Kim**, Seoul (KR); **Seung Wook Jeong**, Seoul (KR)

(73) Assignee: **Samsung Electronics Co., Ltd.**,
Suwon-si (KR)

(**) Term: **14 Years**

(21) Appl. No.: **29/522,488**

(22) Filed: **Mar. 31, 2015**

(51) **LOC (10) Cl.** **18-02**

(52) **U.S. Cl.**
USPC **D18/56**

(58) **Field of Classification Search**
USPC D14/315, 341, 345, 342, 421, 422, 425,
D14/432, 471, 483; D18/4.5, 4.6, 14, 19,
D18/36-41, 49, 50, 54, 54.1, 56, 99
CPC B41J 2/17; B41J 2/18; B41J 13/10;
B41J 29/00; B41J 29/02; B41J 29/18; B41J
11/00; G06F 3/00; G06F 3/12; G06Q 20/32;
G06Q 20/40; G06Q 20/20; G06K 15/02;
G03G 21/16; G03G 15/00

See application file for complete search history.

(56) **References Cited**

U.S. PATENT DOCUMENTS

D685,793 S * 7/2013 Taniho D14/422
D689,865 S * 9/2013 Kitamura D14/422

D709,446 S * 7/2014 Haug D13/108
D725,658 S * 3/2015 Stevenson D14/434
D726,729 S * 4/2015 Lim D14/434
D743,482 S * 11/2015 Kim D18/50

* cited by examiner

Primary Examiner — Daniel Bui

Assistant Examiner — Shawn T Gingrich

(74) *Attorney, Agent, or Firm* — NSIP Law

(57) **CLAIM**

We claim the ornamental design for a printer, as shown and described.

DESCRIPTION

FIG. 1 is a front perspective view of a printer showing our new design;

FIG. 2 is a front view thereof;

FIG. 3 is a rear view thereof;

FIG. 4 is a left-side view thereof;

FIG. 5 is a right-side view thereof;

FIG. 6 is a top view thereof;

FIG. 7 is a bottom view thereof; and,

FIG. 8 is another front perspective of the printer shown in an alternate position.

The broken lines in the figures show portions of the printer which form no part of the claimed design.

The front side of the printer coincides with the bottom side of the drawing and the rear side of the printer coincides with the top side of the drawing in FIG. 7.

1 Claim, 5 Drawing Sheets

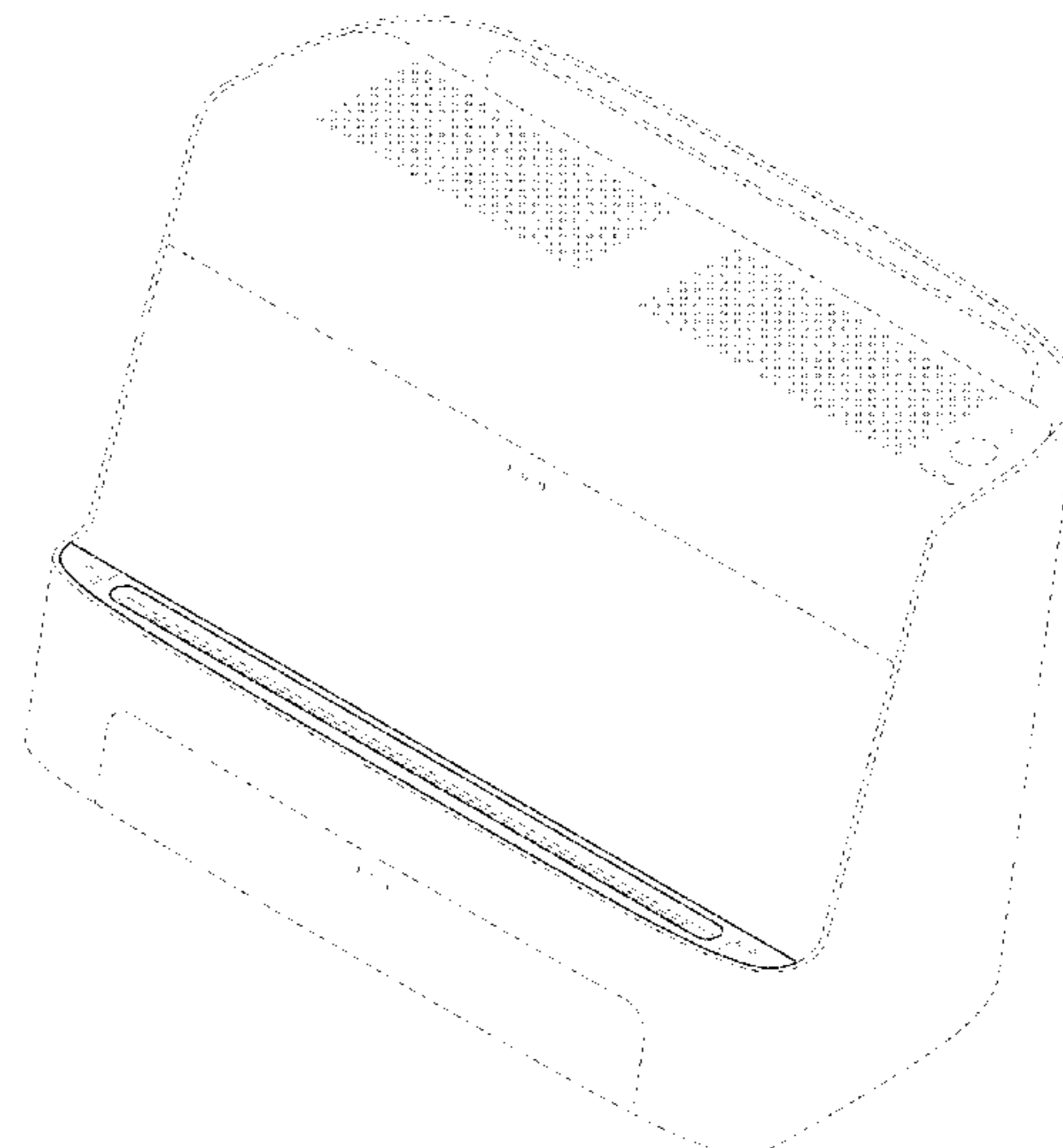
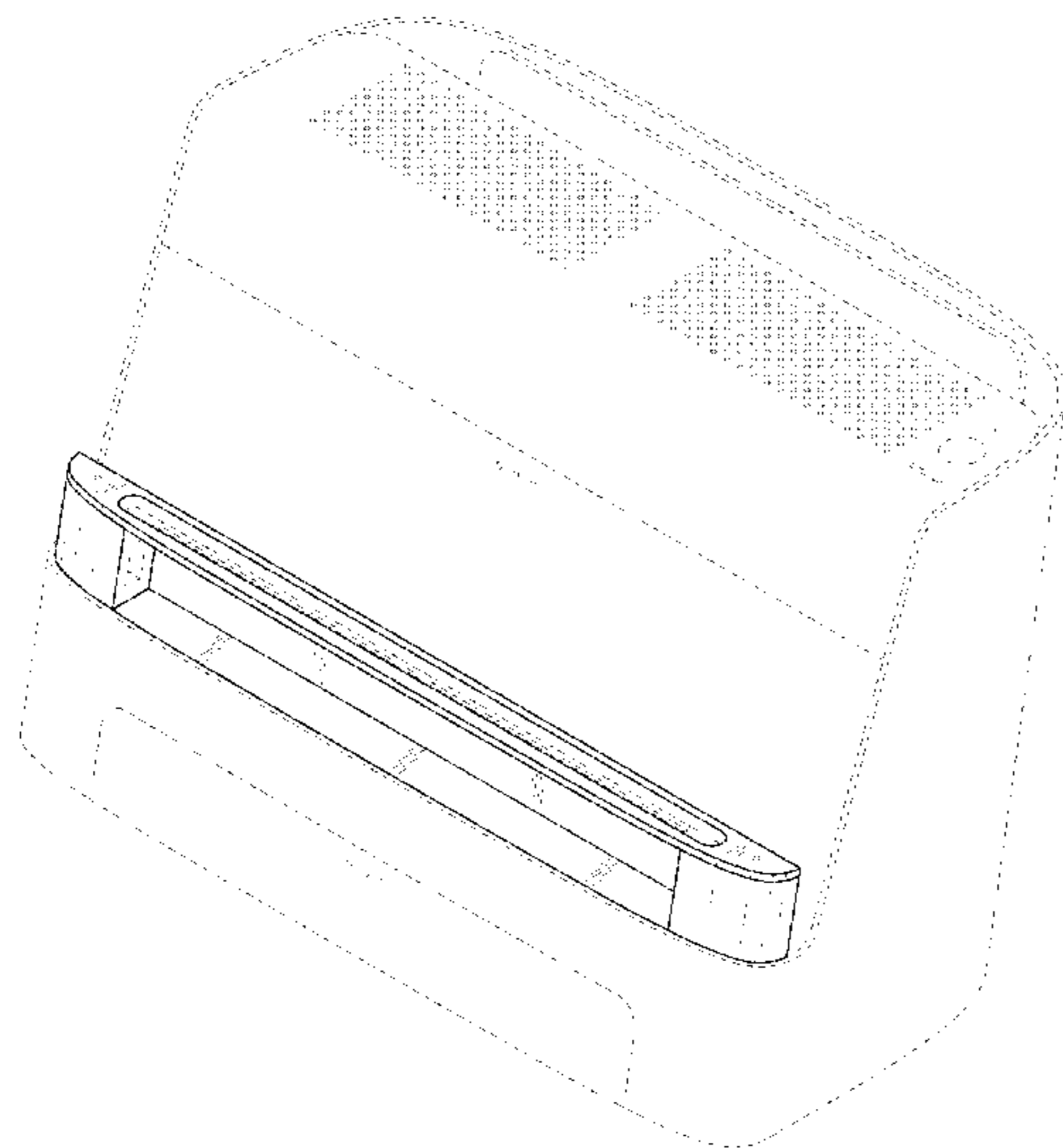


FIG.1

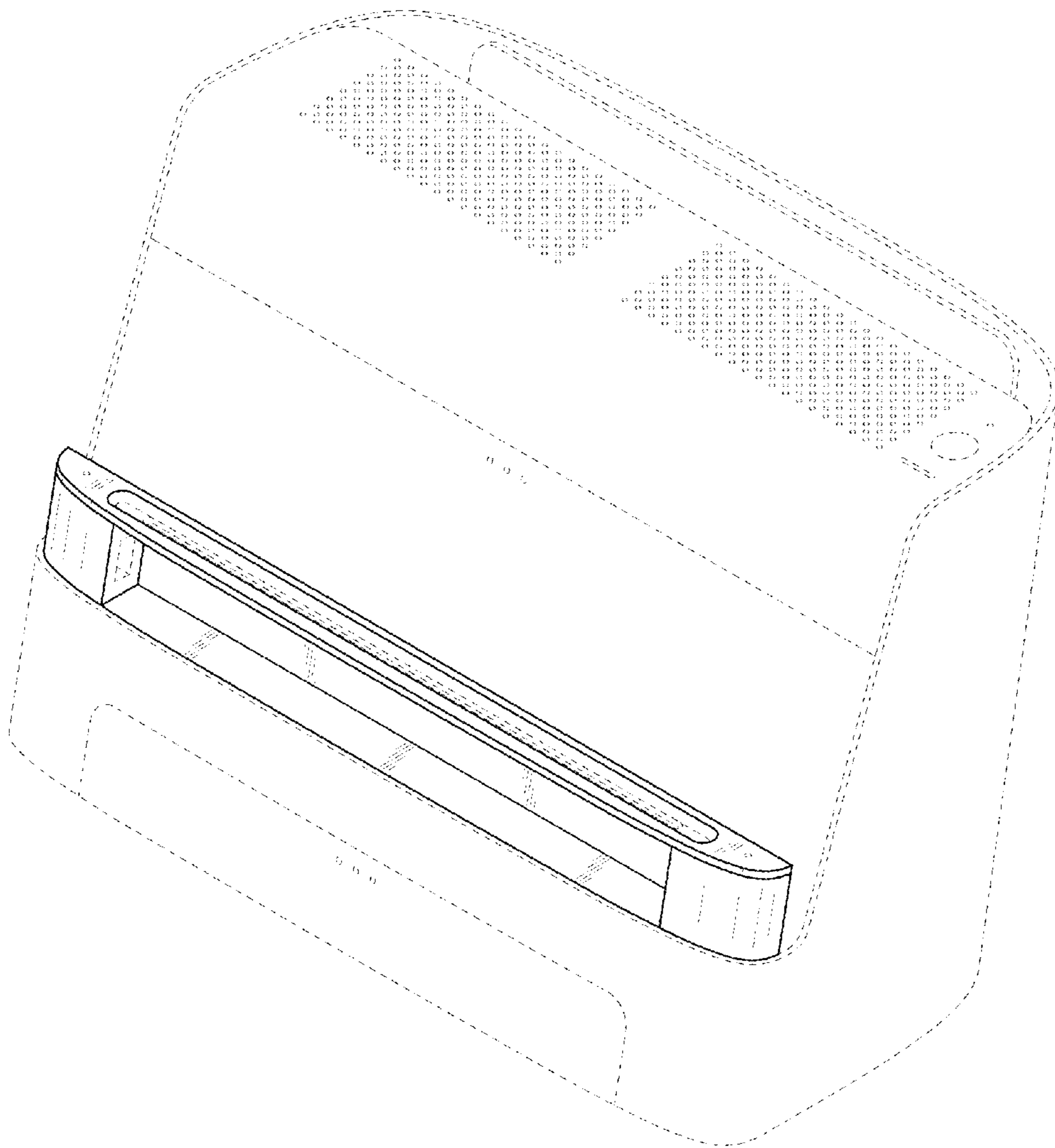


FIG.2

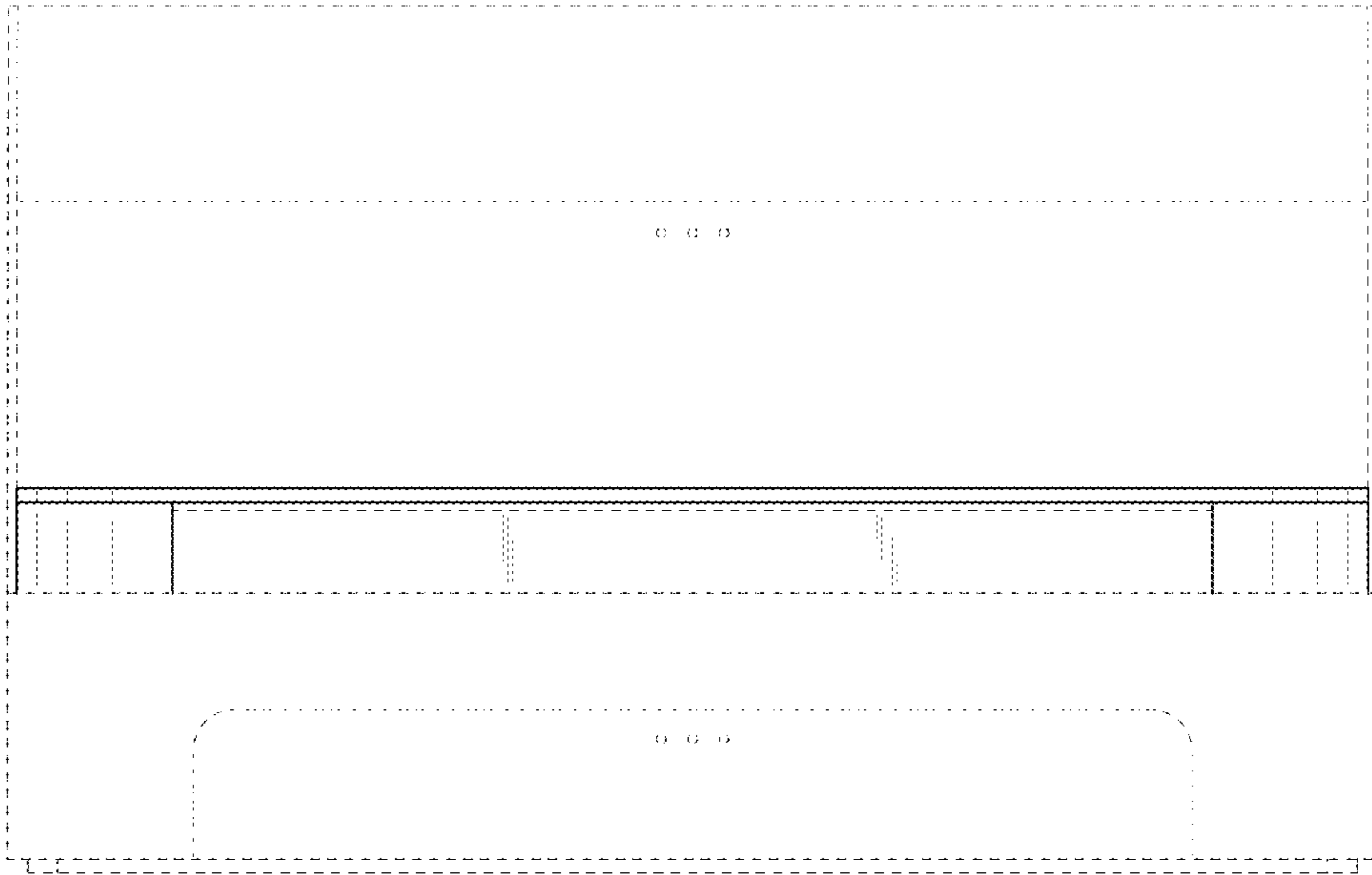


FIG.3



FIG.4

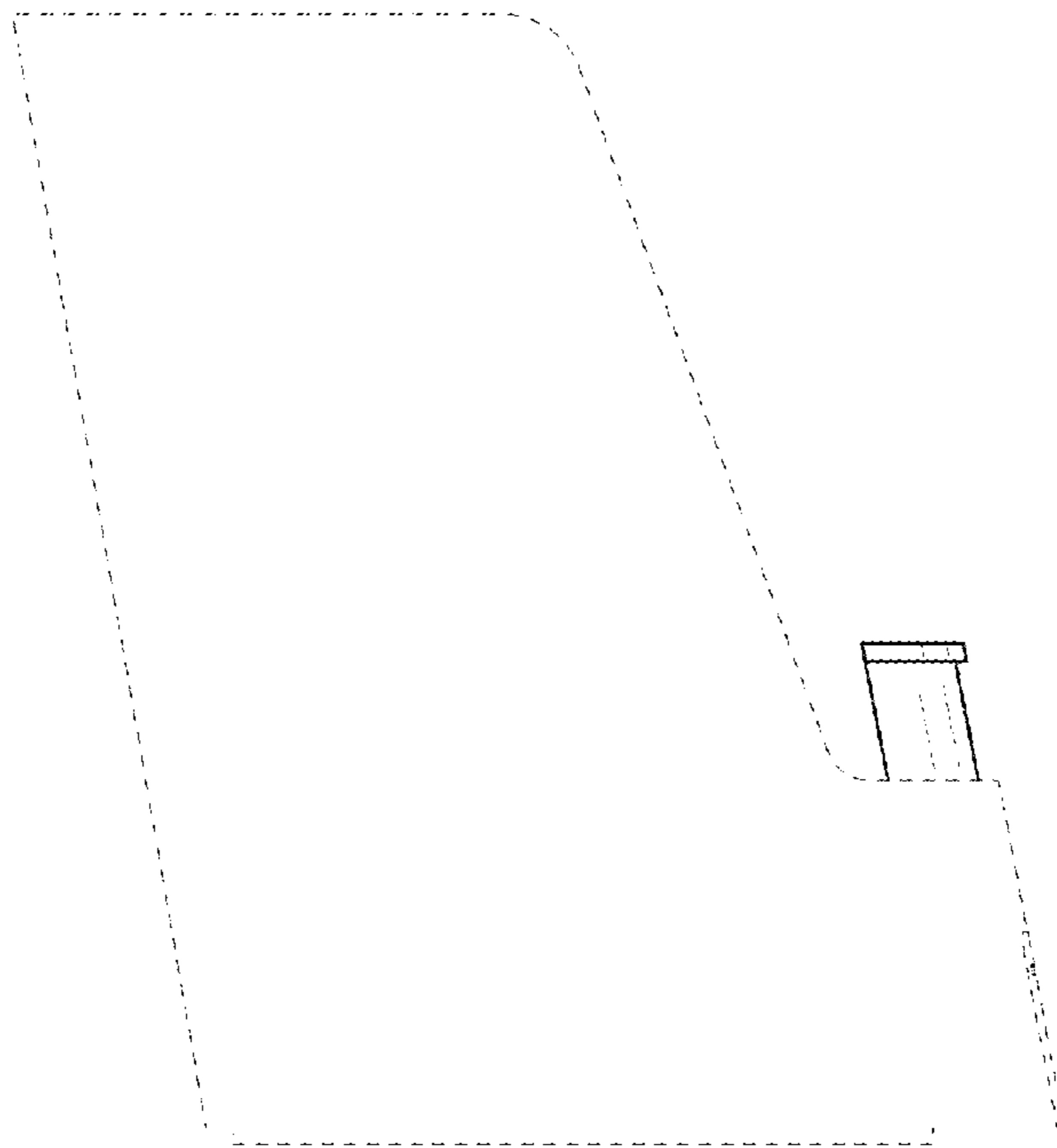


FIG.5

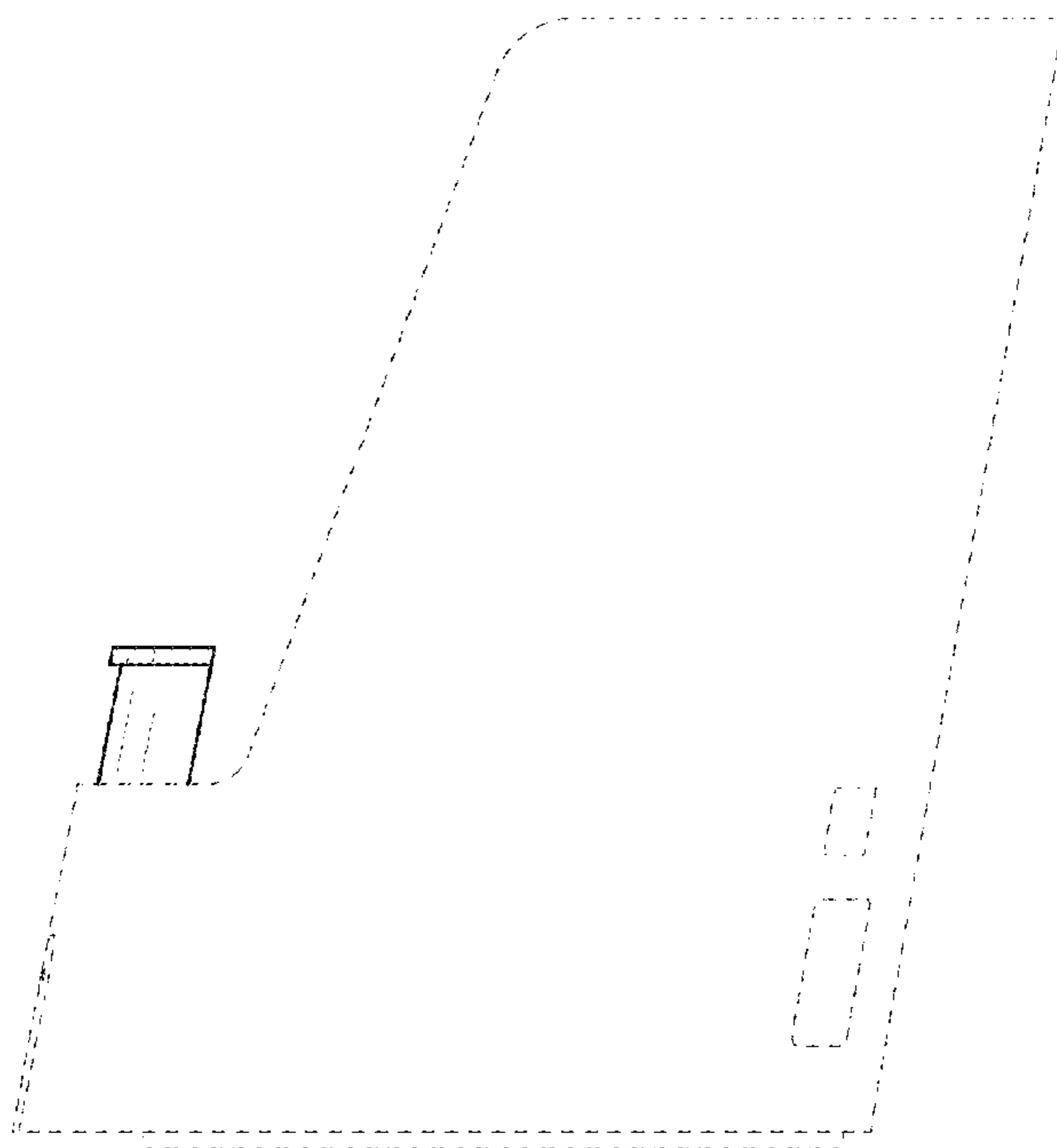


FIG.6

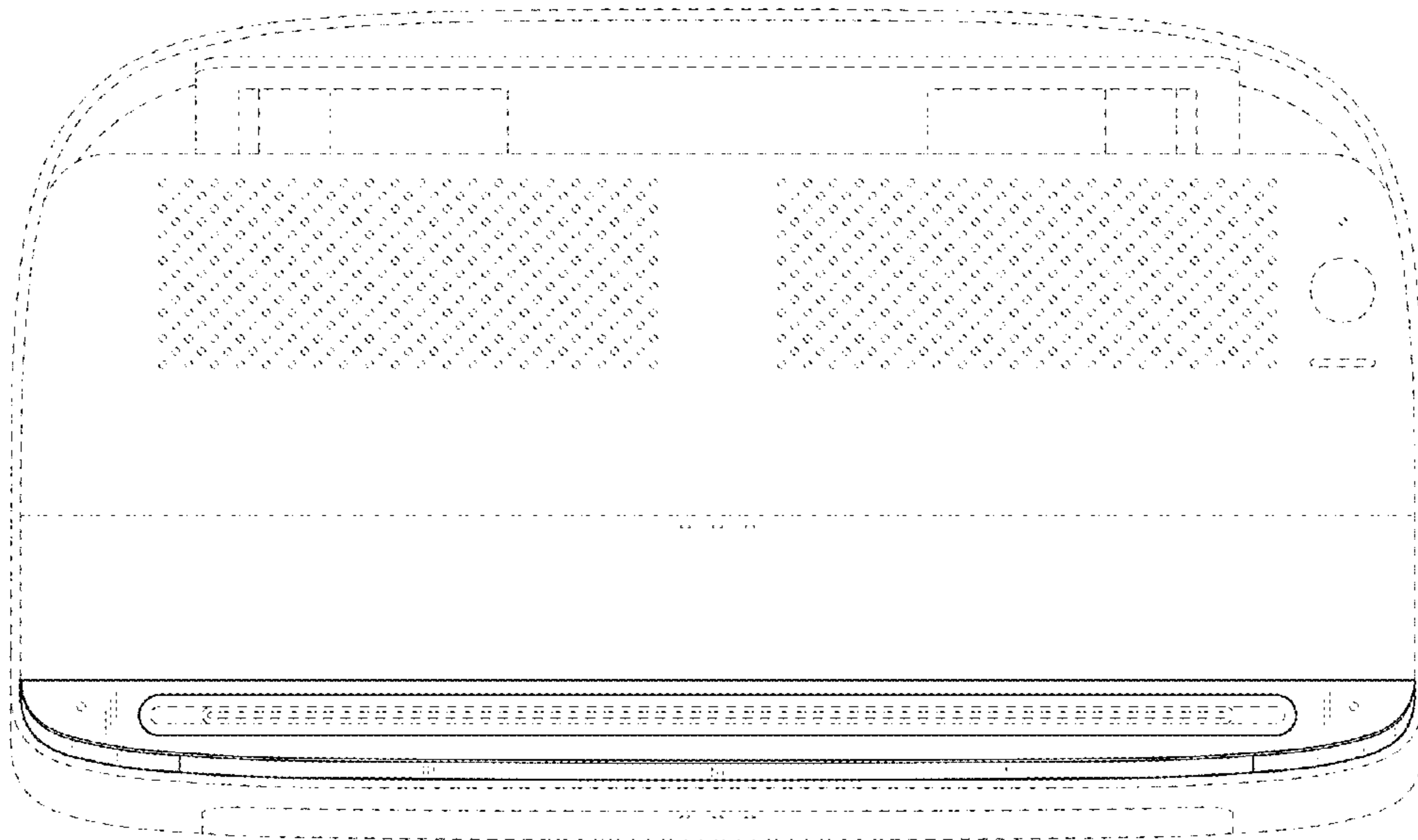


FIG.7

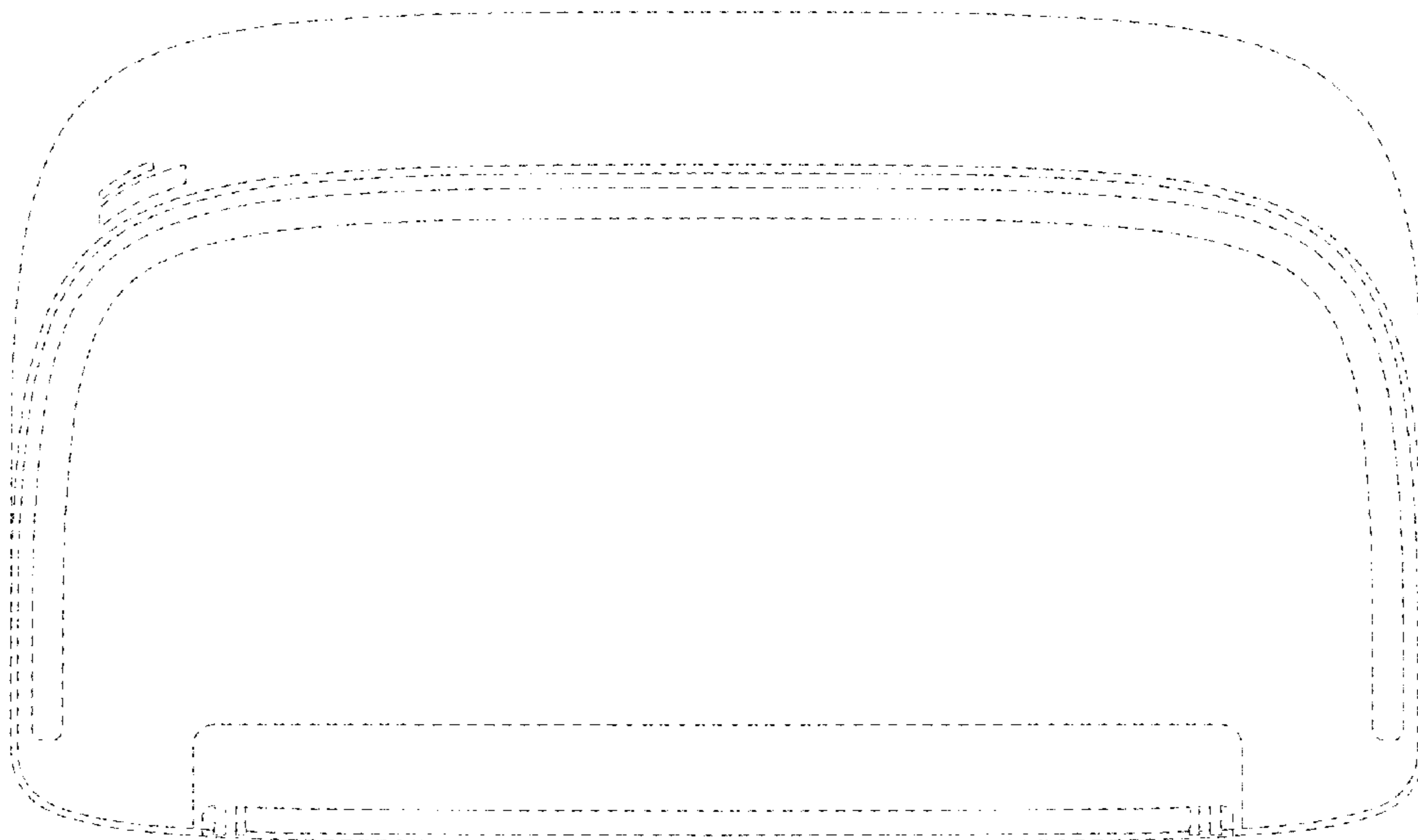


FIG.8

