



US00D767015S

(12) **United States Design Patent**  
**Chim et al.**

(10) **Patent No.:** **US D767,015 S**  
(45) **Date of Patent:** **\*\* Sep. 20, 2016**

(54) **MOUNTING SYSTEM FOR TEMPLE ARM**  
(71) Applicants: **Simon Chim**, Central (HK); **Patrick C. Ho**, Hilton, NY (US)  
(72) Inventors: **Simon Chim**, Central (HK); **Patrick C. Ho**, Hilton, NY (US)  
(73) Assignee: **Alpha Primitus, Inc.** (VG)  
(\*\*) Term: **14 Years**

4,806,008 A \* 2/1989 Tarloff ..... G02C 11/02  
351/111  
5,110,198 A \* 5/1992 Travis ..... G02C 5/02  
351/121  
D377,803 S \* 2/1997 Wilson ..... D16/335  
D380,487 S \* 7/1997 Nevitt ..... D16/323  
D417,462 S \* 12/1999 Chang ..... D16/327  
D419,177 S \* 1/2000 Bolling ..... D16/336  
6,076,927 A \* 6/2000 Owens ..... G02C 5/10  
351/118  
6,745,396 B1 \* 6/2004 Landis ..... A61F 9/045  
2/12  
7,172,279 B1 \* 2/2007 Sohn ..... G02C 11/12  
2/13

(21) Appl. No.: **29/502,457**  
(22) Filed: **Sep. 16, 2014**  
(51) **LOC (10) Cl.** ..... **16-06**  
(52) **U.S. Cl.**  
USPC ..... **D16/336**; D16/335; D16/323  
(58) **Field of Classification Search**  
USPC ..... D16/101, 300-342, 900; D29/109-110;  
351/41, 44, 51-52, 62, 158, 92,  
351/103-123, 140-153, 63, 59, 45-48;  
2/426-432, 447-449, 441, 434-437,  
2/440, 442, 13, 15; D21/483, 659-661;  
D14/372; D8/356  
CPC ..... G02C 2200/08; G02C 1/06; G02C 5/14;  
G02C 11/02; G02C 11/04; G01C 5/16;  
A61M 2021/0044; A63B 33/002  
See application file for complete search history.

(Continued)

*Primary Examiner* — Raphael Barkai  
(74) *Attorney, Agent, or Firm* — Joseph M. Noto; Bond, Schoeneck & King PLLC

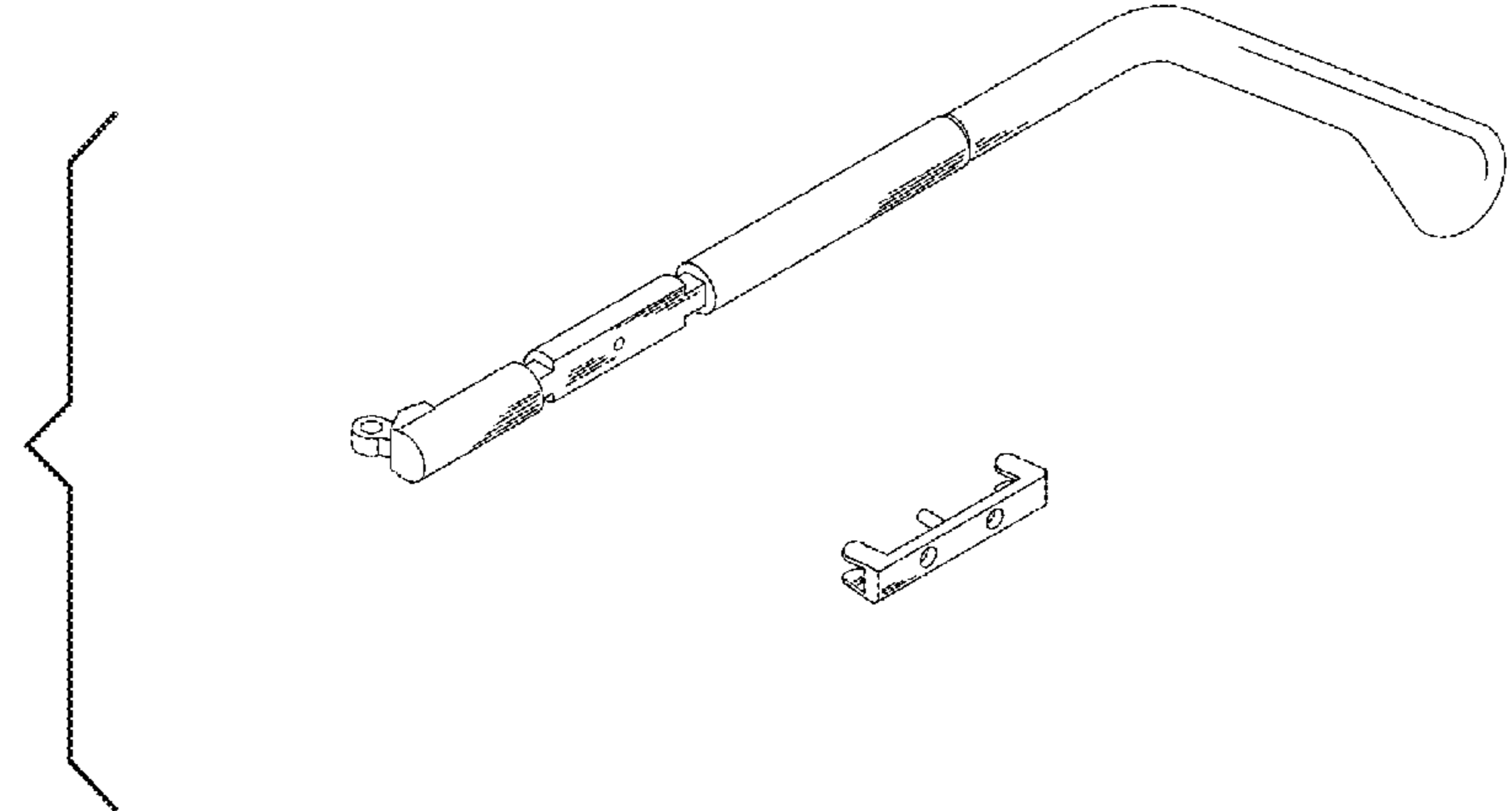
(57) **CLAIM**  
The ornamental design for the mounting system for temple arm, as shown and described.

**DESCRIPTION**

FIG. 1 is a perspective side view of the mounting system for temple arm for our new design shown in an exploding format;  
FIG. 2 is a perspective side view thereof shown in an attached configuration;  
FIG. 3 is a back elevational view thereof shown in an exploding format;  
FIG. 4 is a back elevational view thereof shown in an attached configuration;  
FIG. 5 is a side elevational view thereof of the outside of the temple arm shown in an attached configuration;  
FIG. 6 is a side elevational view thereof of the inside of the temple arm shown in an attached configuration;  
FIG. 7 is a top plan view thereof shown in an exploding format; and,  
FIG. 8 is a top plan view thereof shown in an attached configuration.

(56) **References Cited**  
U.S. PATENT DOCUMENTS  
1,898,059 A \* 2/1933 McDonald ..... G02C 3/04  
351/112  
2,482,195 A \* 9/1949 Martin ..... G02C 5/00  
351/52  
3,883,236 A \* 5/1975 Zipper ..... G02C 3/04  
351/112  
4,508,105 A \* 4/1985 Whitten ..... A61B 5/0484  
D16/336

**1 Claim, 8 Drawing Sheets**



(56)

**References Cited**

U.S. PATENT DOCUMENTS

7,261,409 B1 *	8/2007	Taber .....	G02C 11/02 351/51	D675,669 S *	2/2013	Johnson .....	D16/335
7,367,670 B2 *	5/2008	Duane .....	G02C 5/143 351/121	D689,117 S *	9/2013	Ho .....	D16/323
7,467,866 B2 *	12/2008	Chao .....	G02C 11/02 351/51	8,651,659 B2 *	2/2014	Bertelli .....	G02C 11/02 351/118
7,677,721 B2 *	3/2010	Siu .....	G02C 5/146 351/51	D700,933 S *	3/2014	Shin .....	D16/326
7,726,806 B2 *	6/2010	Boulas .....	G02C 11/02 351/51	D722,639 S *	2/2015	Ho .....	D16/335
7,784,935 B2 *	8/2010	Jackson .....	G02C 11/10 351/121	D741,399 S *	10/2015	Ho .....	D16/335
7,891,807 B2 *	2/2011	Mansuy .....	G02C 5/008 351/51	D745,084 S *	12/2015	Blum .....	D16/330
7,997,724 B1 *	8/2011	Hsu .....	G02C 11/04 351/121	2008/0259269 A1 *	10/2008	Grogan .....	G02C 11/02 351/52
8,167,426 B2 *	5/2012	Lampru .....	G02C 11/02 351/111	2009/0122253 A1 *	5/2009	Clay .....	G02C 11/02 351/52
8,201,938 B2 *	6/2012	Rhee .....	G02C 11/02 351/111	2010/0002186 A1 *	1/2010	Zelman .....	G02C 11/02 351/52
				2011/0213664 A1 *	9/2011	Osterhout .....	G02B 27/017 705/14.58
				2012/0075571 A1 *	3/2012	Silver .....	G02C 11/02 351/52
				2012/0133883 A1 *	5/2012	Mezher .....	G02C 11/02 351/52

\* cited by examiner

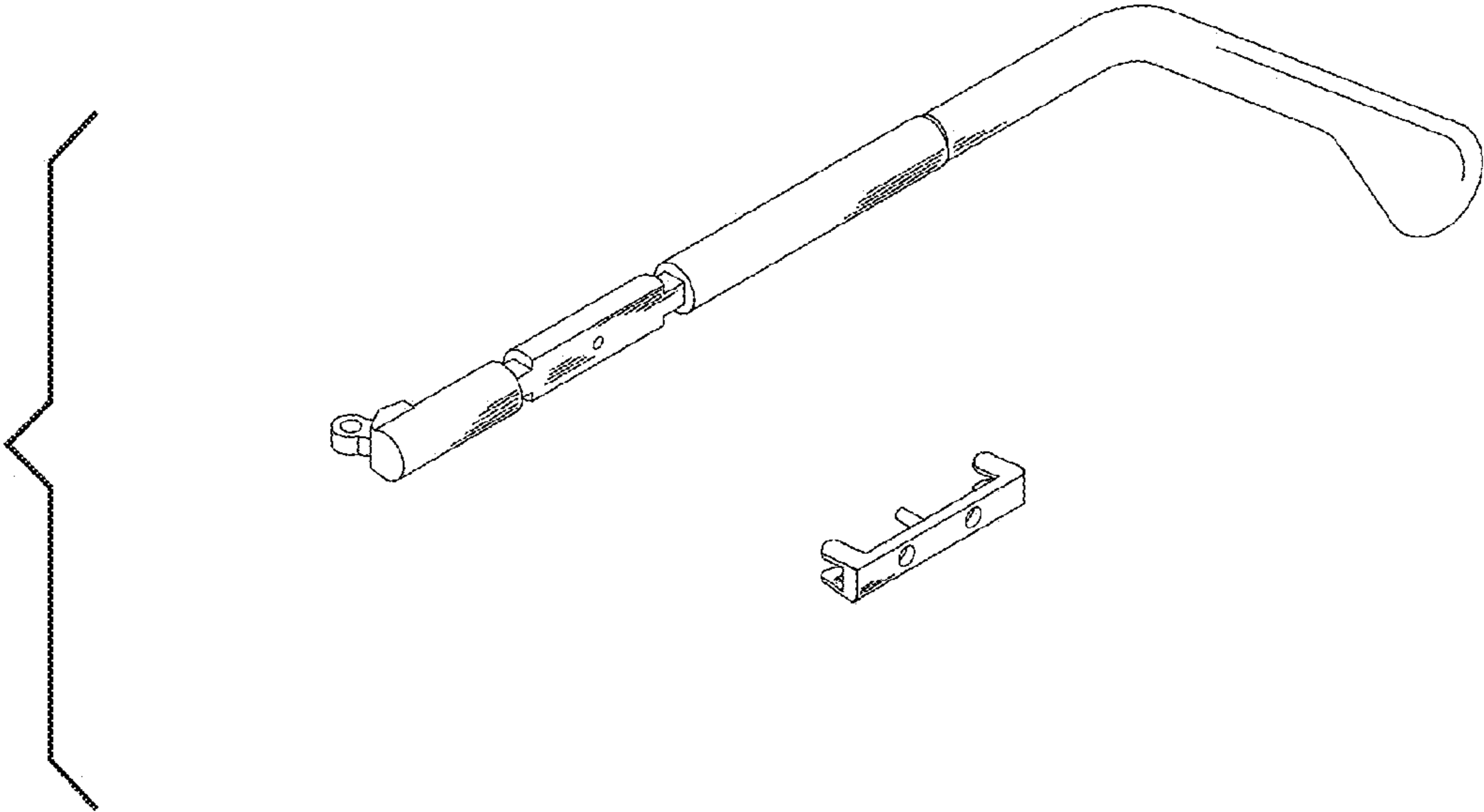


FIG. 1

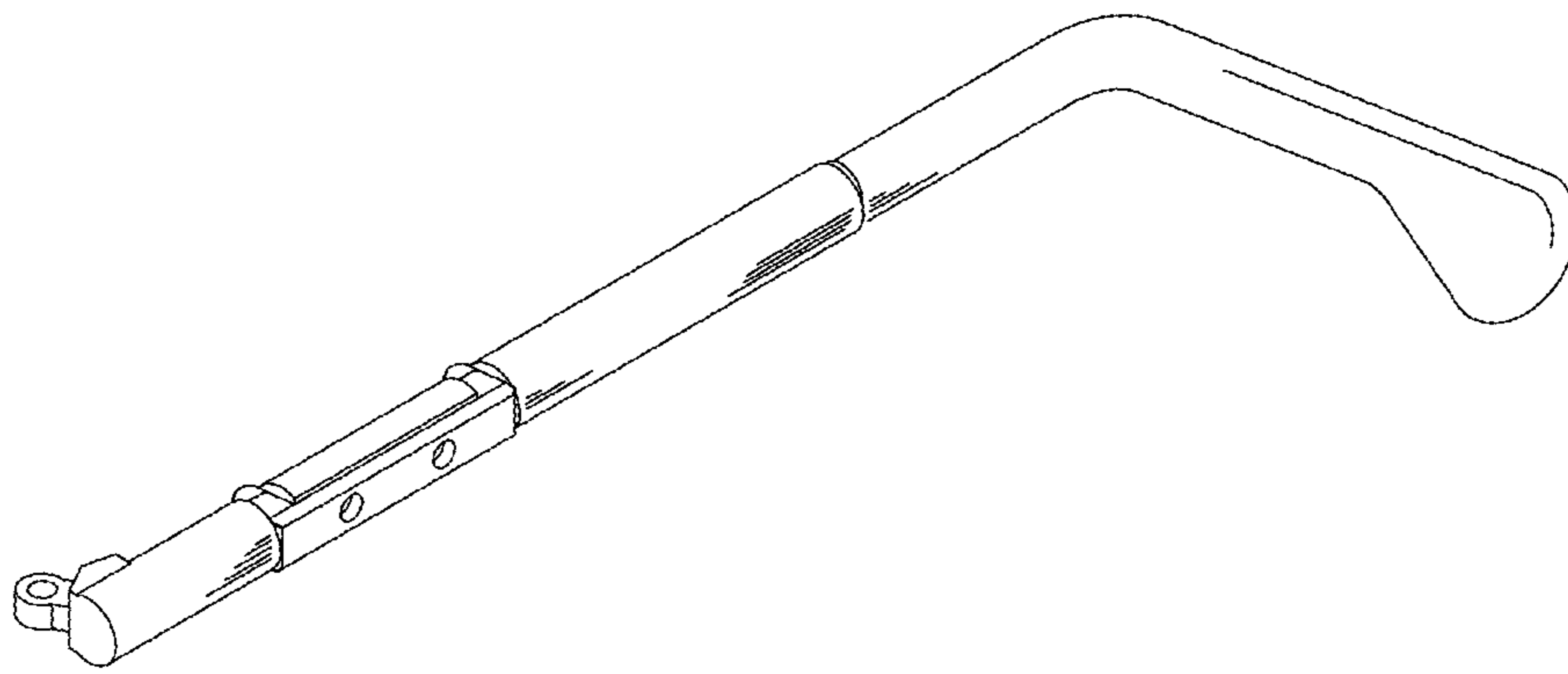


FIG. 2

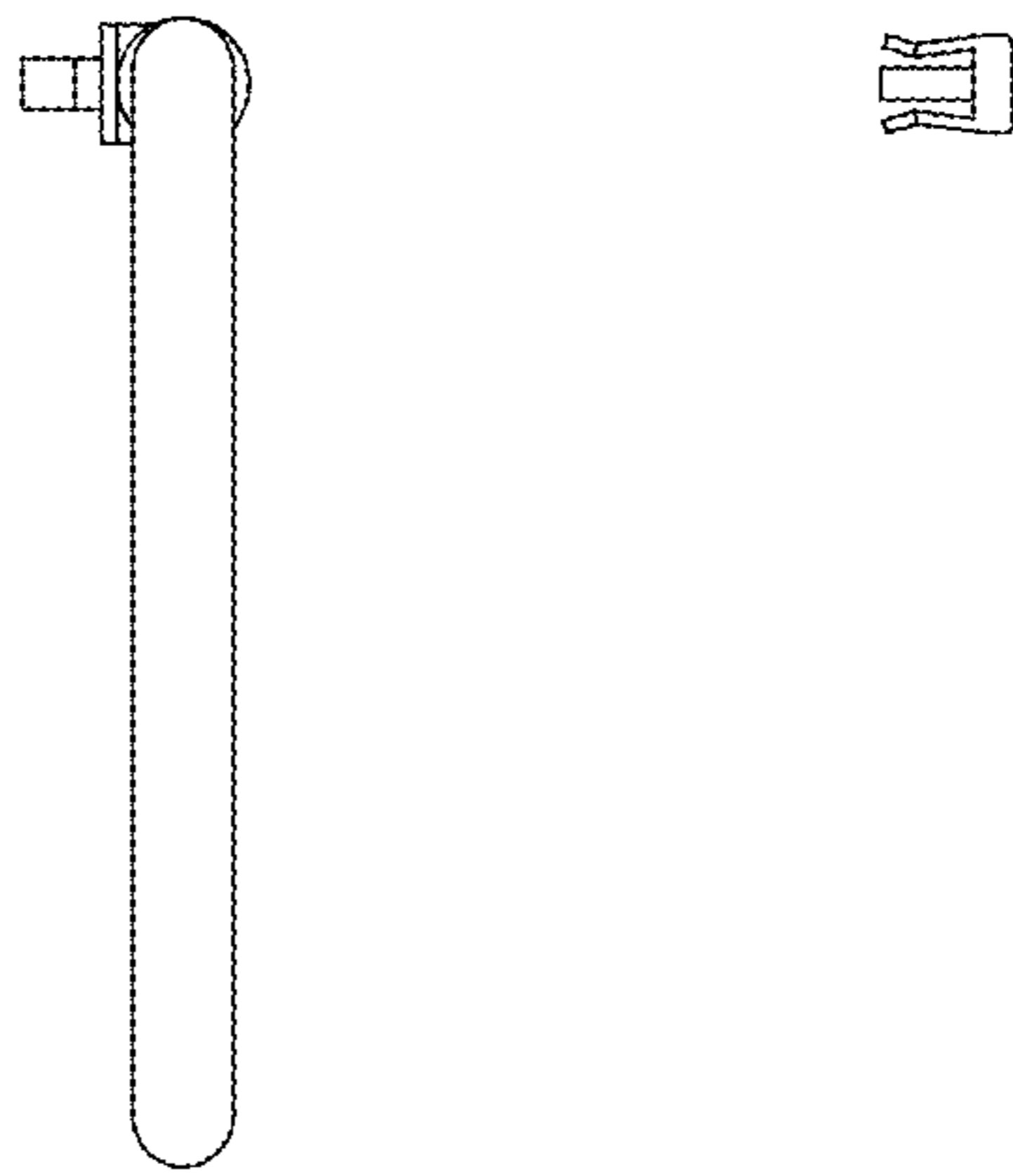


FIG. 3

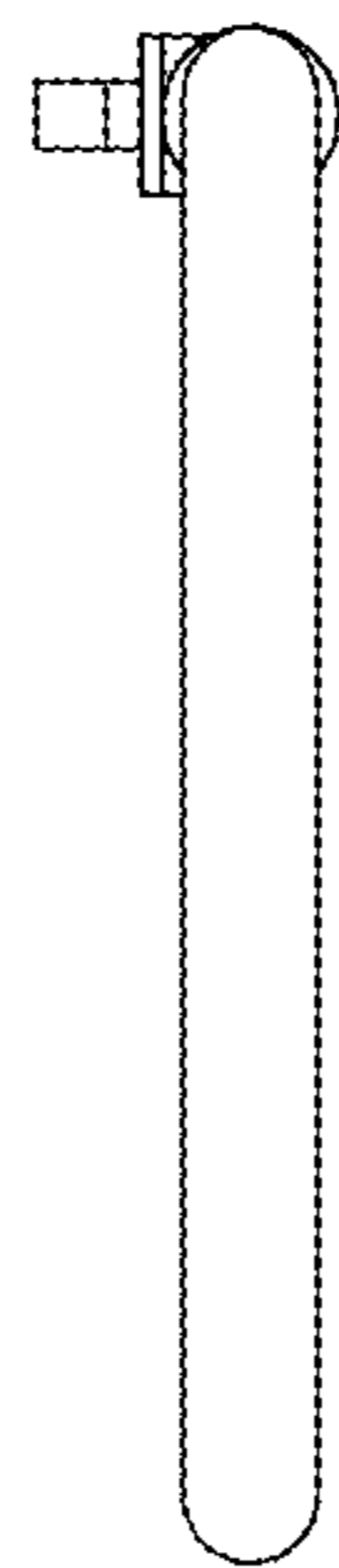


FIG. 4

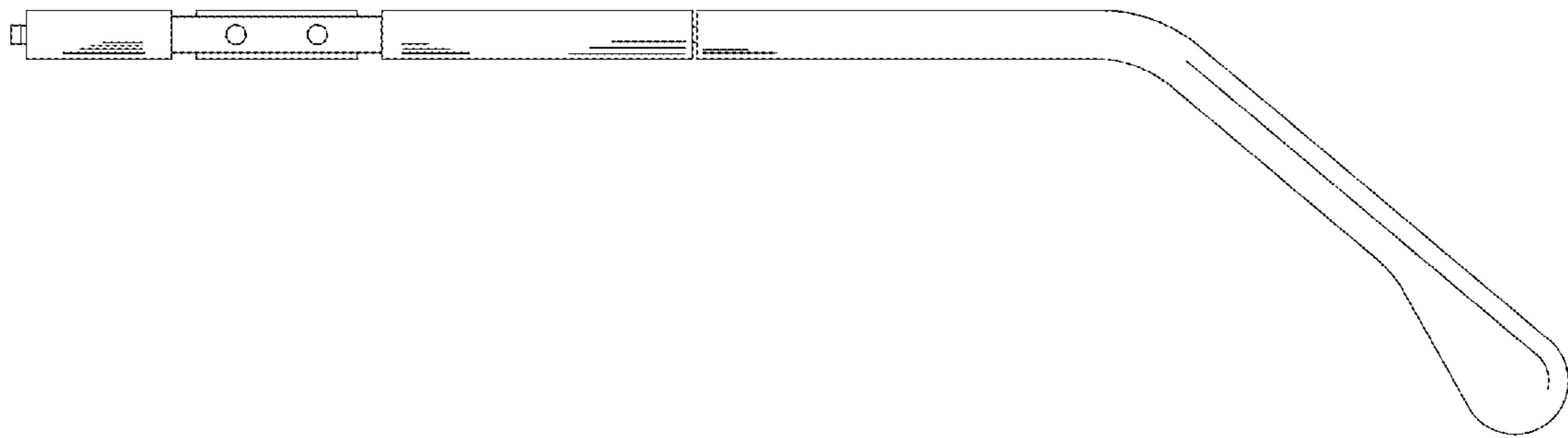


FIG. 5

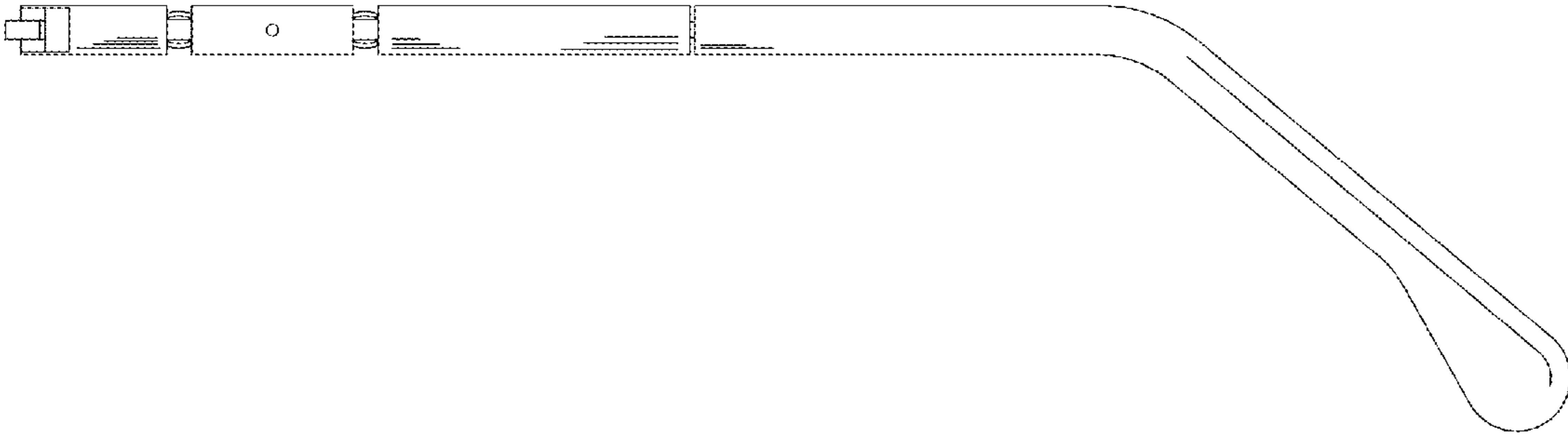


FIG. 6



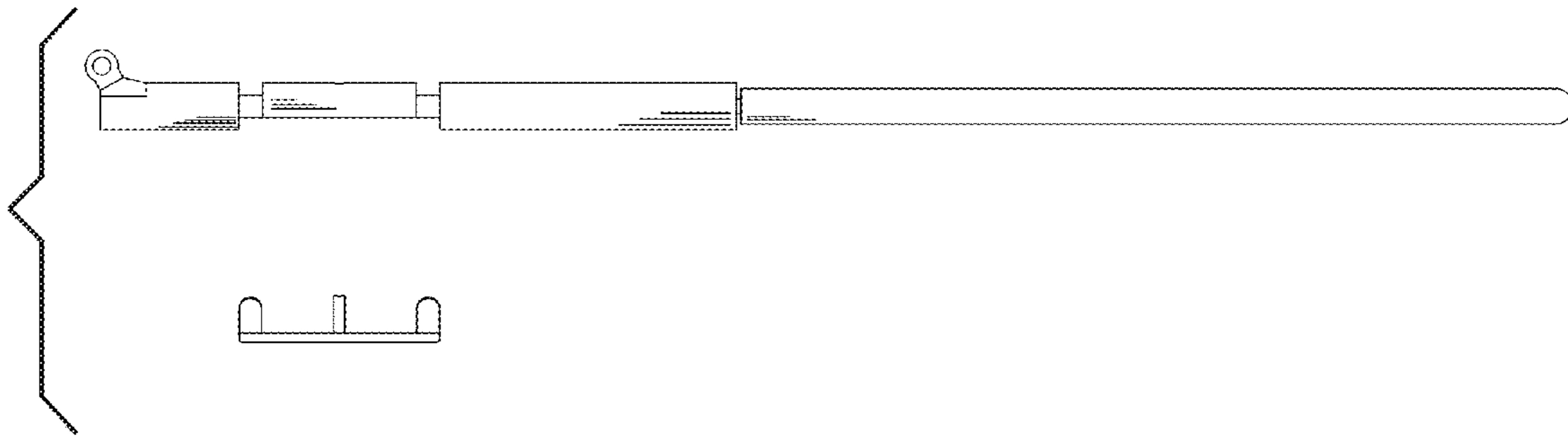


FIG. 7

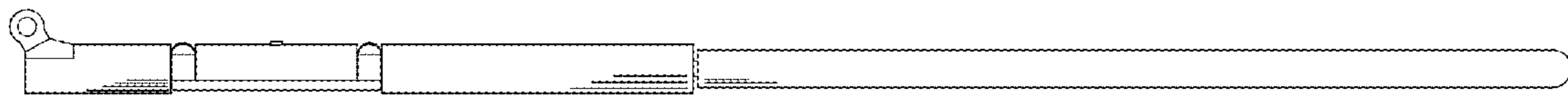


FIG. 8