



US00D767011S

(12) **United States Design Patent**  
**Huang**

(10) **Patent No.:** **US D767,011 S**

(45) **Date of Patent:** **\*\* Sep. 20, 2016**

- (54) **SUPPORT ROD**
- (71) Applicant: **CYBER POWER SYSTEMS, INC.,**  
Taipei (TW)
- (72) Inventor: **Chung-Ta Huang,** Taipei (TW)
- (73) Assignee: **CYBER POWER SYSTEMS, INC.,**  
Taipei (TW)
- (\*\*) Term: **15 Years**
- (21) Appl. No.: **29/540,603**
- (22) Filed: **Sep. 25, 2015**
- (51) **LOC (10) Cl.** ..... **16-05**
- (52) **U.S. Cl.**  
USPC ..... **D16/243**
- (58) **Field of Classification Search**  
USPC ..... D16/237, 242–245, 202, 203, 241, 207,  
D16/200, 230–232; D8/354, 355, 363;  
396/419, 420, 428; D12/114, 223;  
D14/251  
CPC .... F61M 11/14; F61M 11/041; F61M 11/04;  
F61M 11/2078; F61M 11/28; F61M 11/2021;  
F61M 11/12; F61M 11/10; F61M 2200/022;  
F61M 2200/027; F61M 13/00; F61M 13/02;  
F61M 13/022; G03B 17/561; G03B 17/566;  
G03B 17/563; G03B 2215/056; B60R  
2011/0059; B60R 2011/008; B60R 11/02  
See application file for complete search history.

- 7,706,673 B1 \* 4/2010 Staudinger ..... F16M 11/06  
348/211.2
- D678,387 S \* 3/2013 Stump ..... D16/244
- 9,170,473 B1 \* 10/2015 Li ..... G03B 17/561
- D747,399 S \* 1/2016 Stump ..... D16/243
- 2010/0200710 A1 \* 8/2010 Shenouda ..... F16M 13/00  
248/157
- 2013/0176412 A1 \* 7/2013 Chen ..... F16M 11/10  
348/77
- 2015/0003820 A1 \* 1/2015 Li ..... G03B 17/561  
396/428

\* cited by examiner

*Primary Examiner* — Susan Bennett Hattan

*Assistant Examiner* — Brett Miller

(74) *Attorney, Agent, or Firm* — Bacon & Thomas, PLLC

(57) **CLAIM**

The ornamental design for a support rod, as shown and described.

**DESCRIPTION**

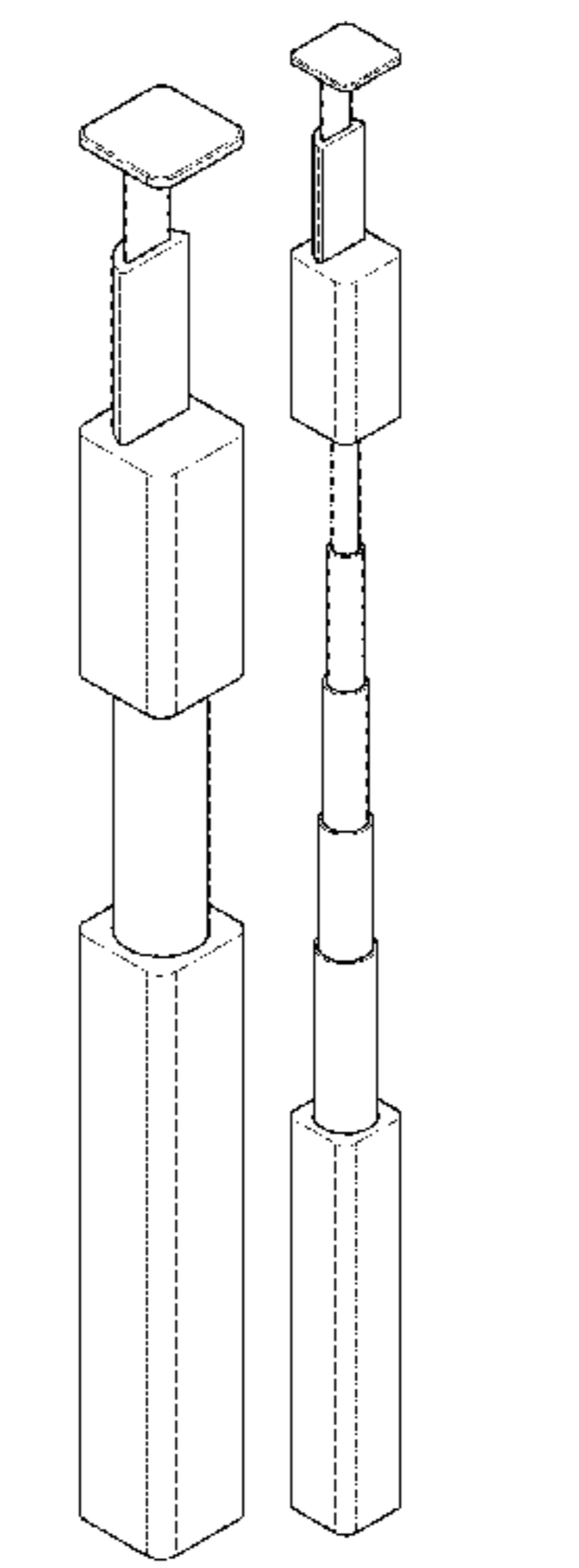
FIG. 1 is a front perspective view of a support rod according to my new design;  
 FIG. 2 is front view thereof;  
 FIG. 3 is back view thereof;  
 FIG. 4 is left side view thereof;  
 FIG. 5 is right side view thereof;  
 FIG. 6 is top view thereof;  
 FIG. 7 is bottom view thereof;  
 FIG. 8 is a perspective, extension status view in a first used condition;  
 FIG. 9 is a perspective, shortening status view in a second used condition;  
 FIG. 10 is a perspective, holding status view in a third used condition;  
 FIG. 11 is a perspective, holding and rotation status view in a fourth used condition; and,  
 FIG. 12 is a perspective, holding and rotation status view in a fifth used condition.  
 The broken lines in FIG. 10 to FIG. 12 the drawings indicate that a portable electronic device (e.g., a mobile phone or a camera) form no part of the claimed design.

(56) **References Cited**

U.S. PATENT DOCUMENTS

- D257,259 S \* 10/1980 Shiraishi ..... D16/244
- D345,905 S \* 4/1994 Hallgren ..... D8/355
- D382,286 S \* 8/1997 Doran ..... D16/242
- D386,510 S \* 11/1997 Peterson ..... D16/244
- 5,768,645 A \* 6/1998 Kessler ..... G03B 17/38  
396/376
- 6,007,259 A \* 12/1999 Mori ..... G03B 17/561  
248/168
- D430,480 S \* 9/2000 Rowan ..... D8/363
- D546,865 S \* 7/2007 Rietveld ..... D16/242

**1 Claim, 11 Drawing Sheets**



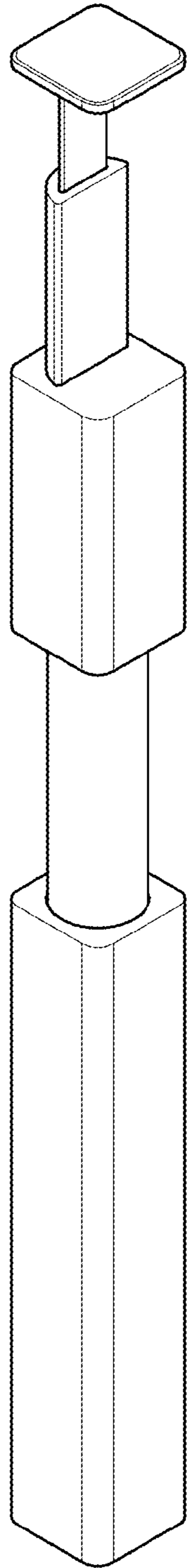


FIG. 1

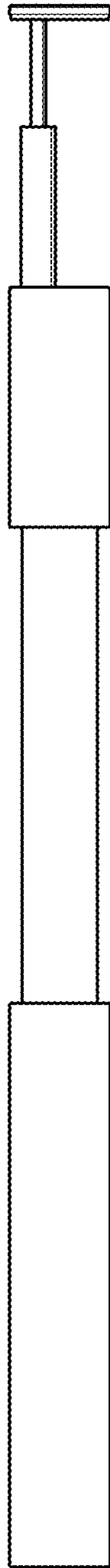


FIG.2

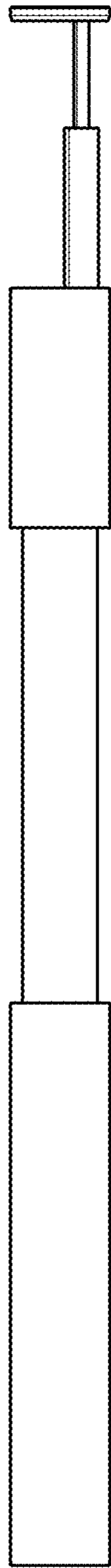


FIG.3

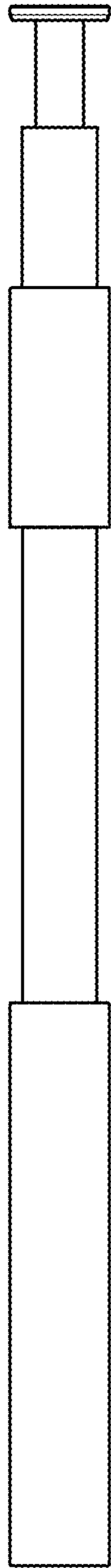


FIG.4

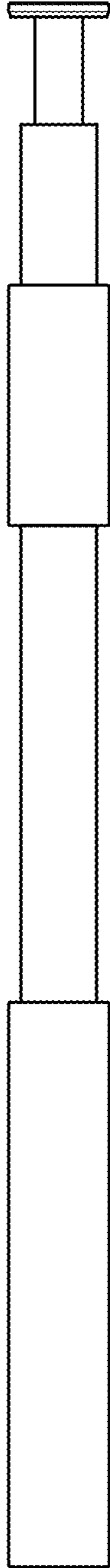


FIG.5

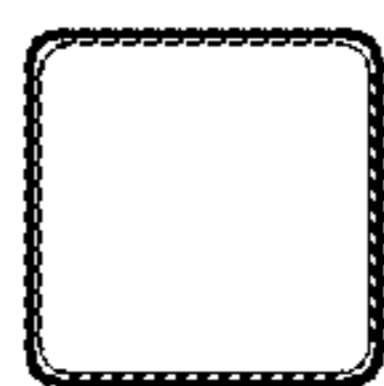


FIG.6

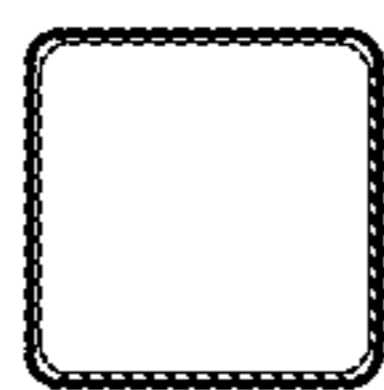


FIG.7

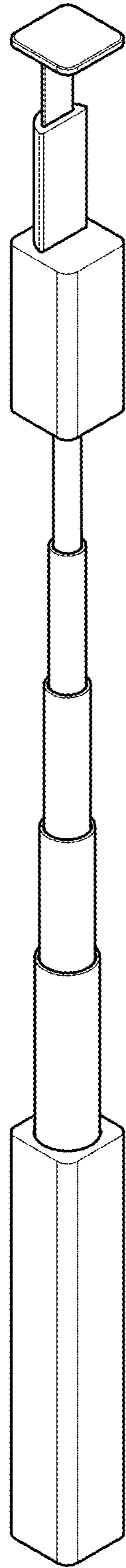


FIG.8



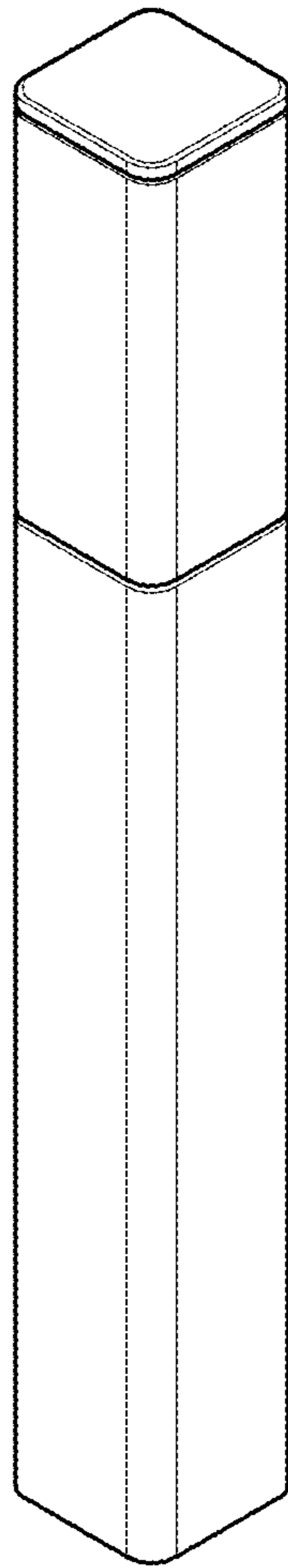


FIG.9

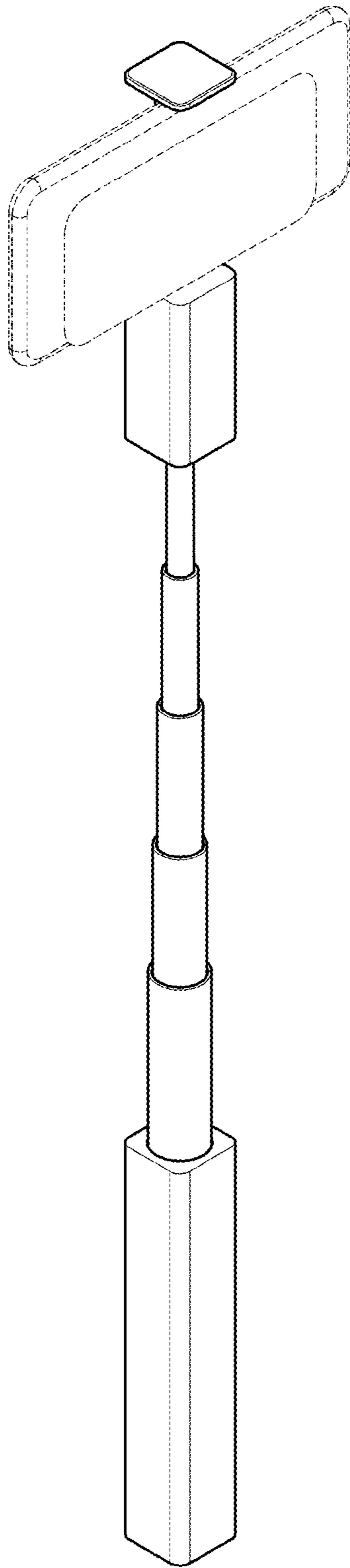


FIG. 10

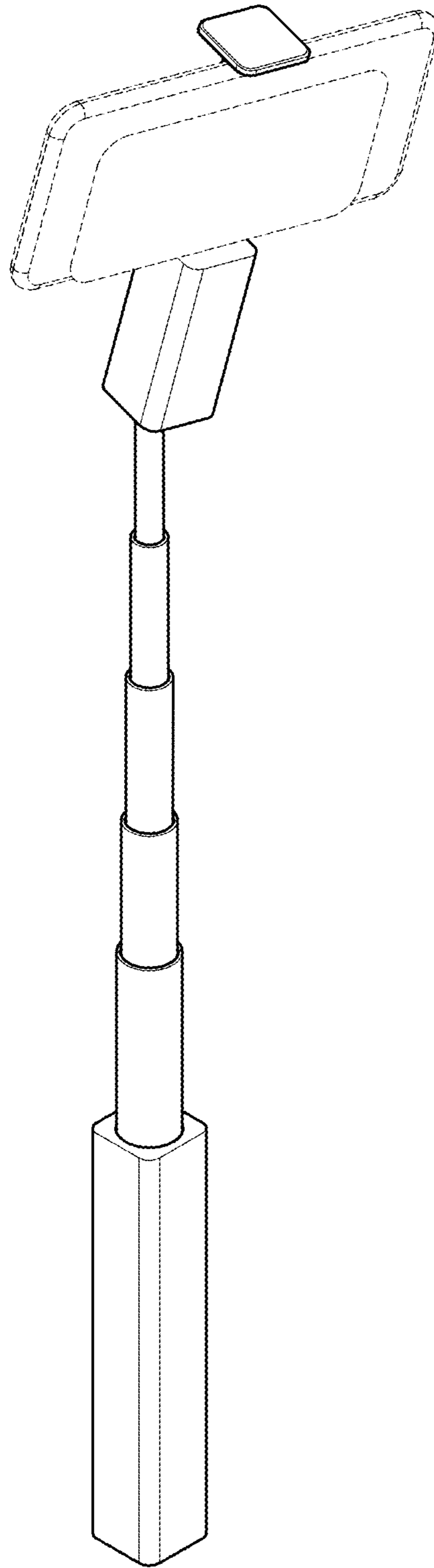


FIG. 11

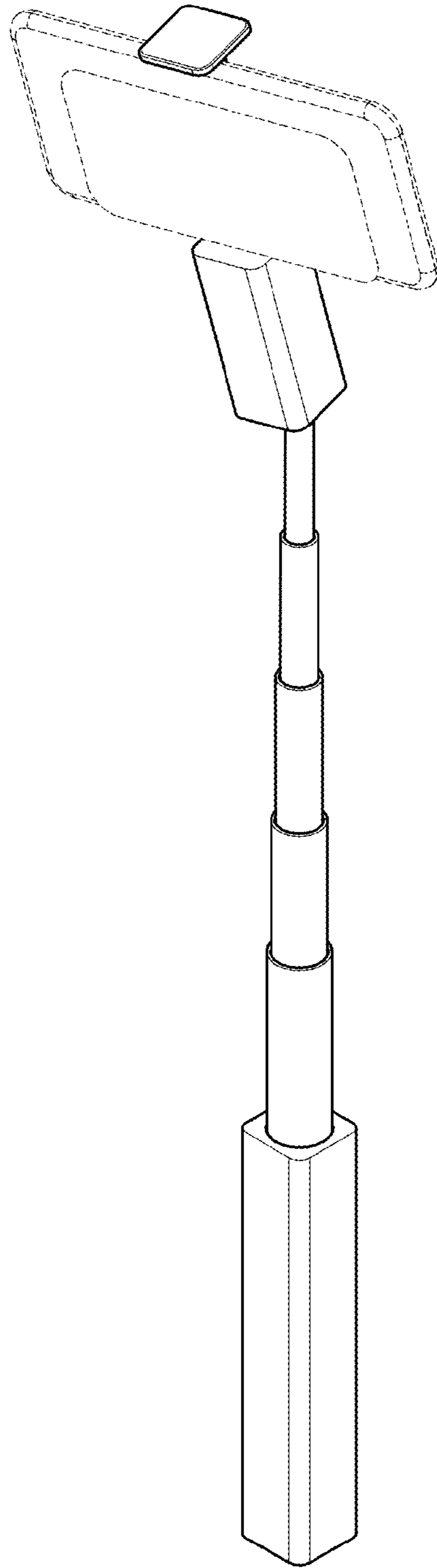


FIG. 12