

US00D767010S

(12) **United States Design Patent** (10) **Patent No.:** **US D767,010 S**
Rauch (45) **Date of Patent:** **** Sep. 20, 2016**

(54) **FLASHLAMP FOR PHOTOGRAPHY**

(56) **References Cited**

(71) Applicant: **Elinchrom LTD.**, Renens (CH)

U.S. PATENT DOCUMENTS

(72) Inventor: **Dieter Rauch**, Romanel-sur-Lausanne (CH)

D502,488 S * 3/2005 Miyashita D16/239
D562,875 S * 2/2008 Kitera D16/239
D689,538 S * 9/2013 Sato D16/239

(73) Assignee: **Elinchrom Ltd.**, Renens (CH)

* cited by examiner

(**) Term: **14 Years**

Primary Examiner — Brian N Vinson

(21) Appl. No.: **29/499,668**

(74) *Attorney, Agent, or Firm* — Frommer Lawrence & Haug LLP

(22) Filed: **Aug. 18, 2014**

(57) **CLAIM**

The ornamental design for a flashlamp for photography, as shown and described.

(30) **Foreign Application Priority Data**

DESCRIPTION

Feb. 21, 2014 (WO) DM/083147

(51) **LOC (10) Cl.** **16-01**

FIG. 1 is a perspective view of the flashlamp for photography according to my invention;
FIG. 2 is a front view thereof;
FIG. 3 is a top view thereof;
FIG. 4 is a left view thereof;
FIG. 5 is a right view thereof;
FIG. 6 is a bottom view thereof; and,
FIG. 7 is a back view thereof.

(52) **U.S. Cl.**

USPC **D16/239**

(58) **Field of Classification Search**

USPC D26/51; D16/239, 240

CPC G03B 17/02; G03B 17/03; G03B 17/04;

G03B 17/14; G03B 17/56; G03B

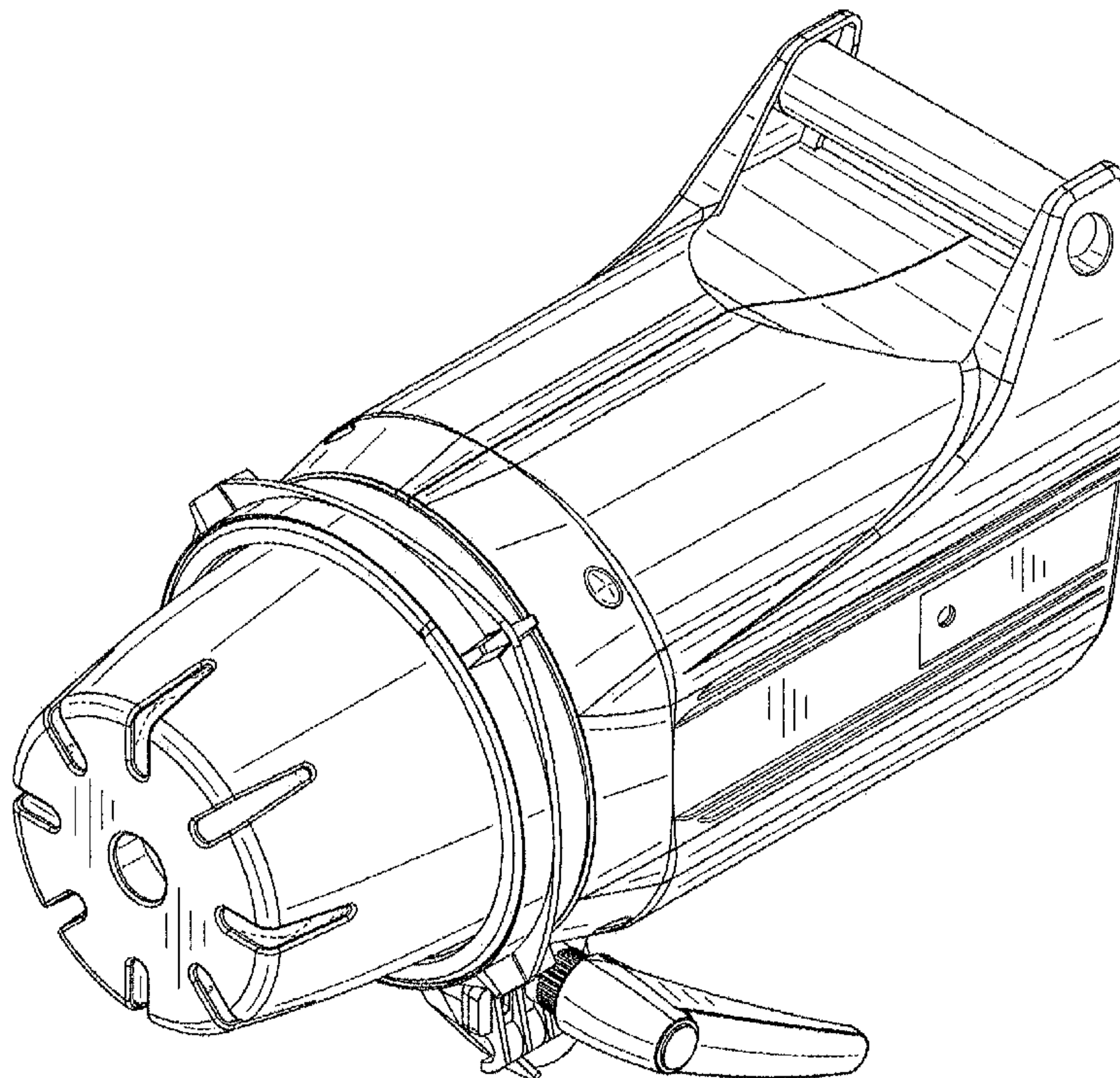
17/561–17/568; G03B 21/20; G03B 21/2066;

G03B 7/02; G03B 7/04; G03B 7/14

See application file for complete search history.

The broken line disclosure represents unclaimed portions of the flashlamp.

1 Claim, 7 Drawing Sheets



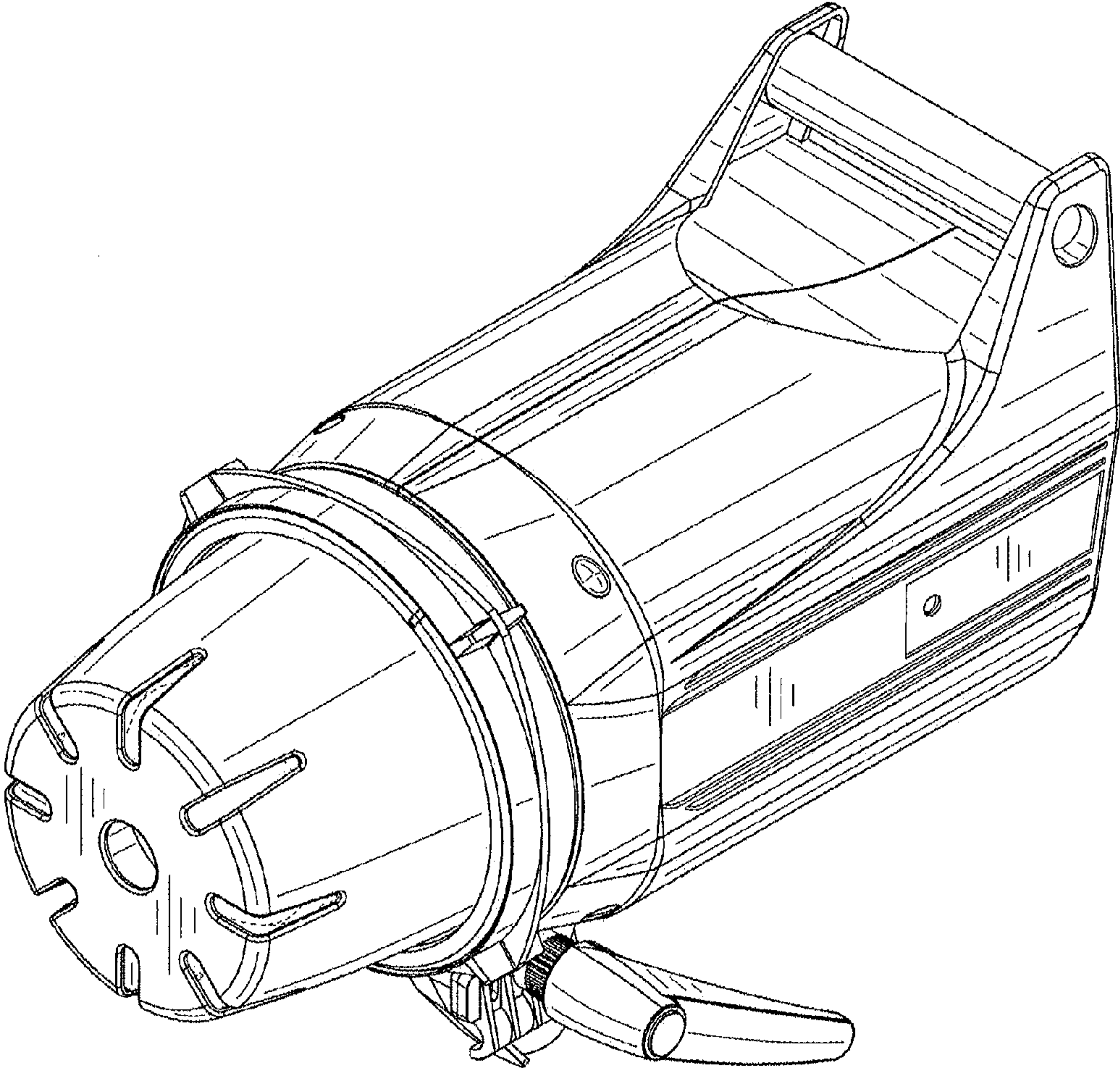


Fig. 1

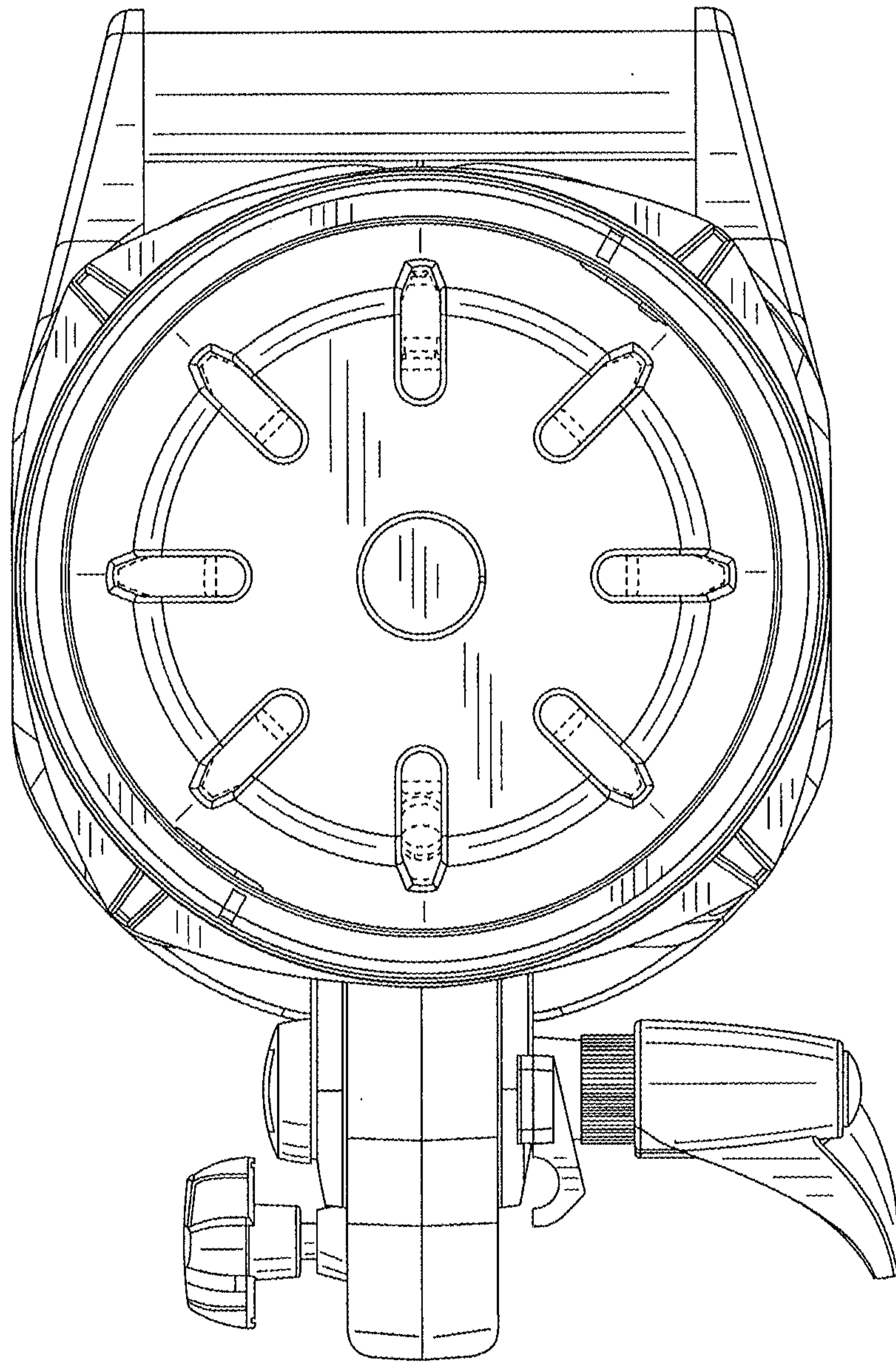


Fig. 2

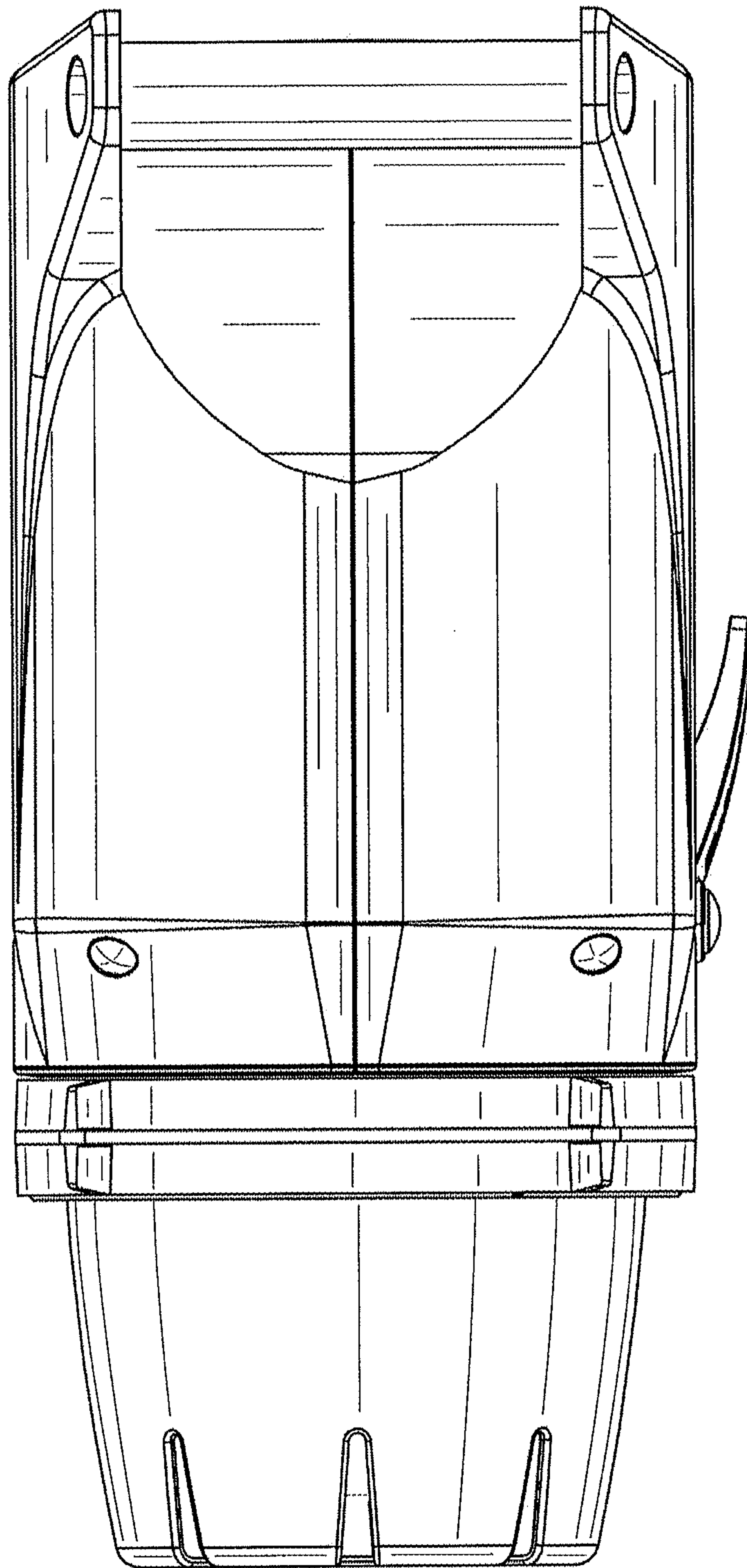


Fig. 3

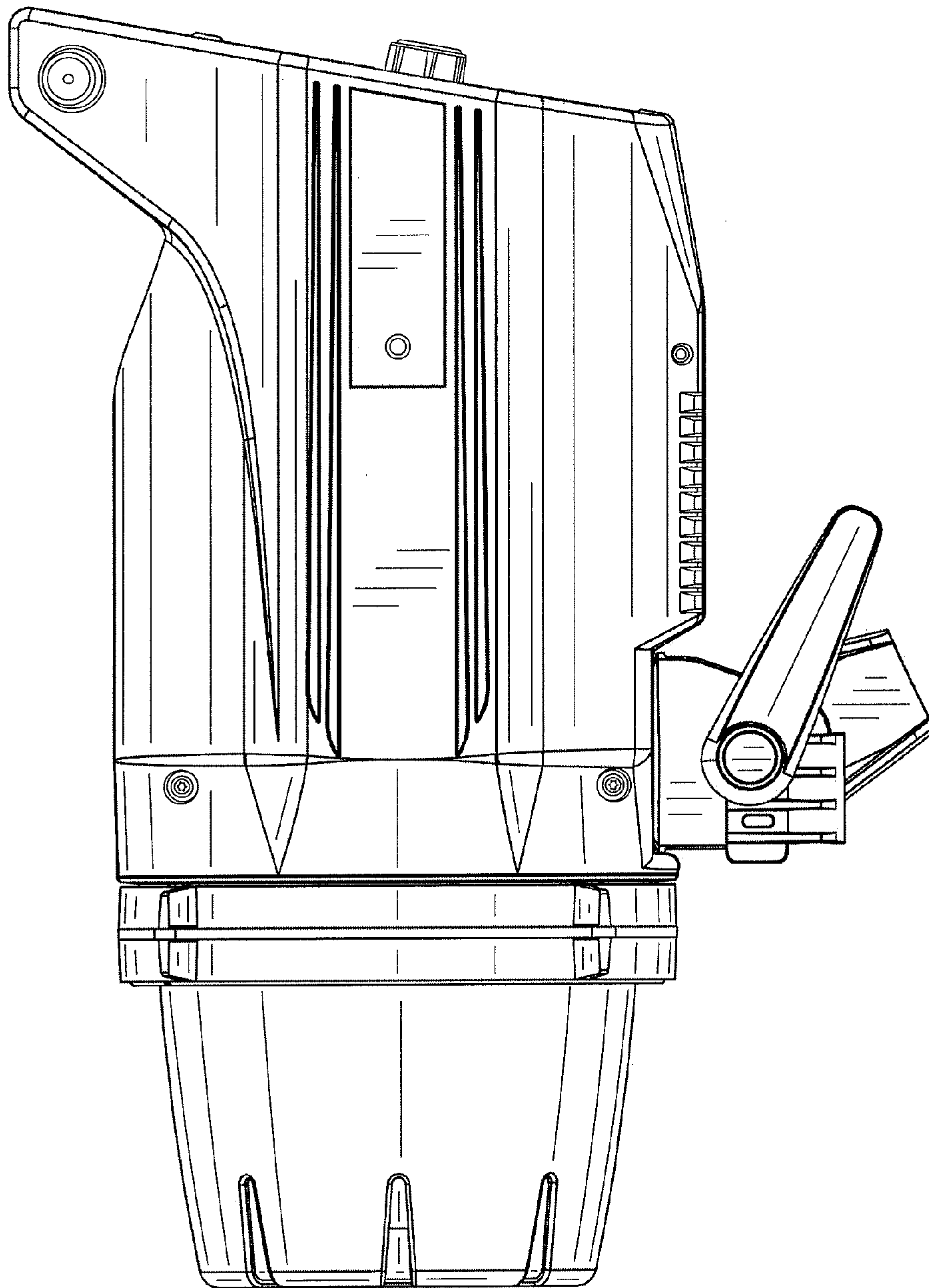


Fig. 4

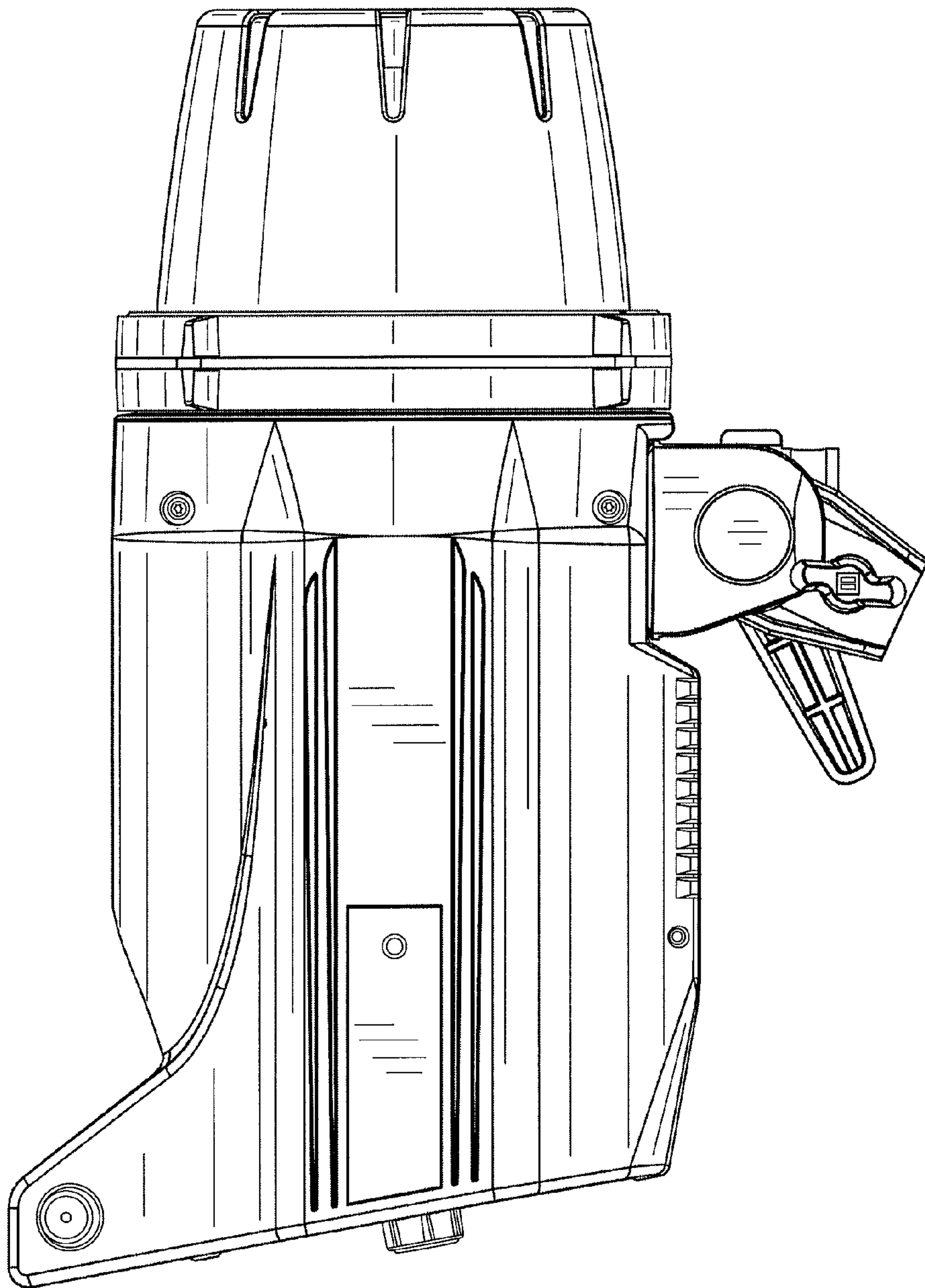


Fig. 5

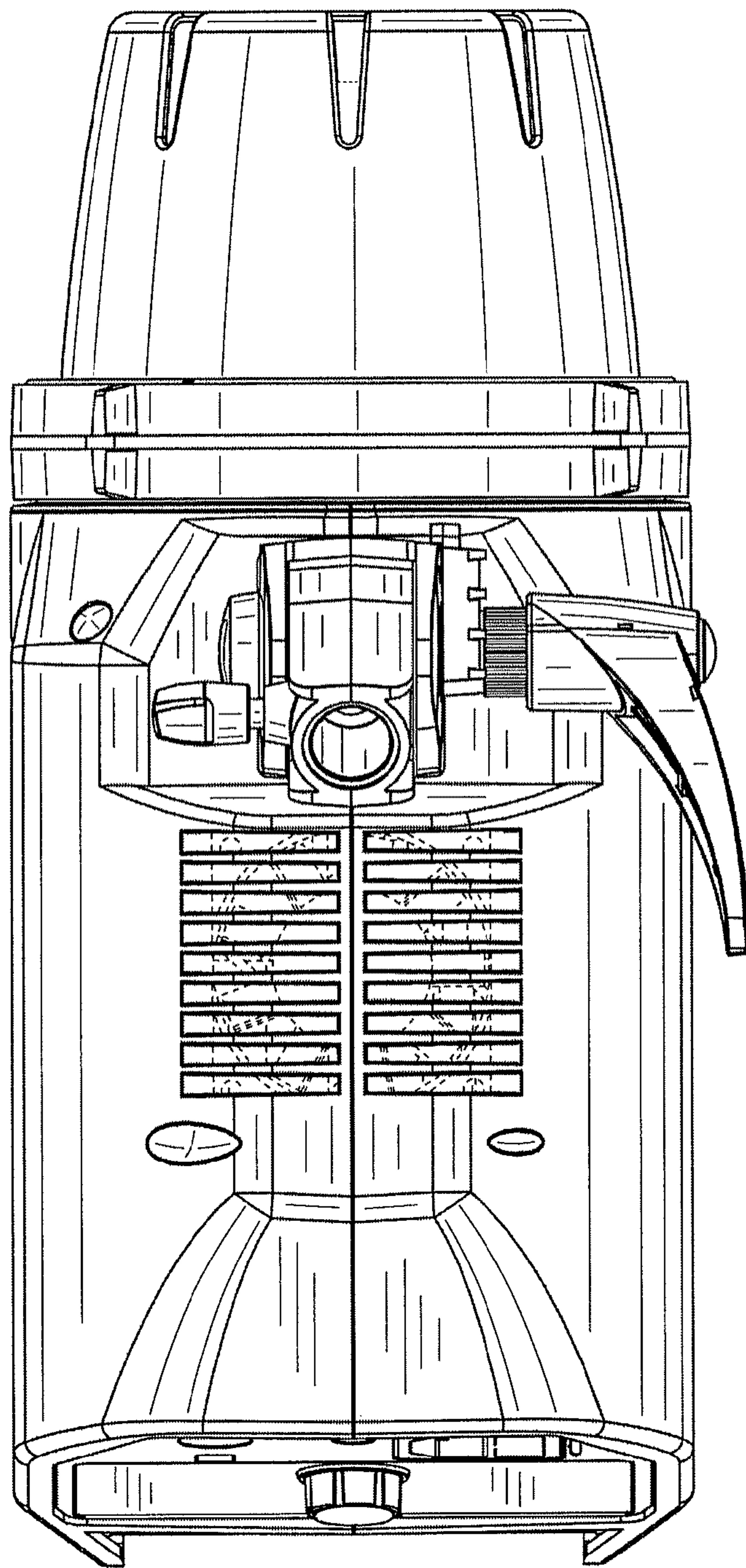


Fig. 6

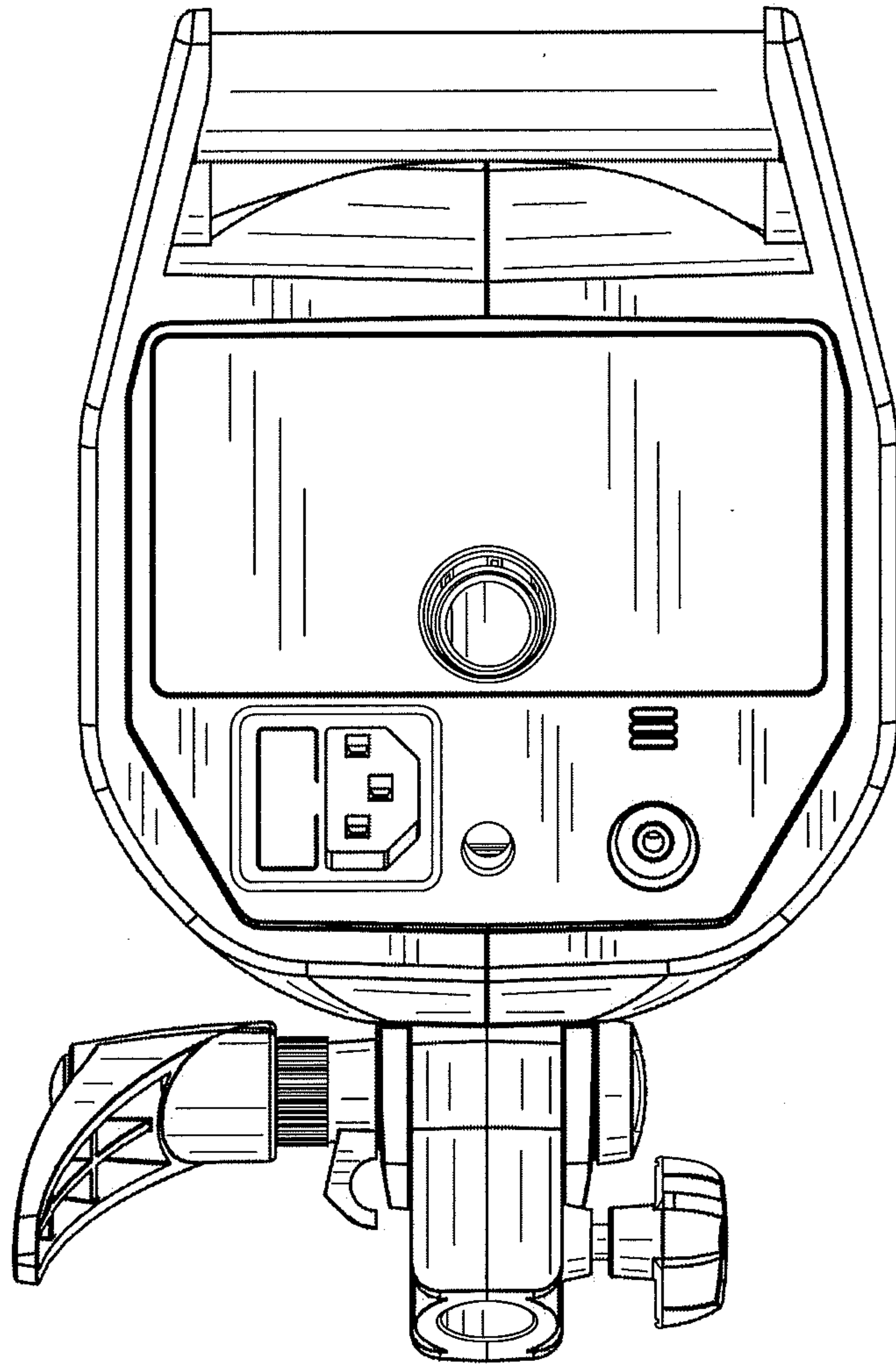


Fig. 7