



US00D767006S

(12) **United States Design Patent**
Thomsen

(10) **Patent No.:** **US D767,006 S**

(45) **Date of Patent:** **** Sep. 20, 2016**

(54) **GEAR BOX COVER PLATE**

(71) Applicant: **Ronald Tib Thomsen**, Kalispell, MT
(US)

(72) Inventor: **Ronald Tib Thomsen**, Kalispell, MT
(US)

(73) Assignee: **Concepts In Plastics, LLC**, Phoenix,
AZ (US)

(**) Term: **14 Years**

(21) Appl. No.: **29/510,635**

(22) Filed: **Dec. 1, 2014**

(51) **LOC (10) Cl.** **15-09**

(52) **U.S. Cl.**
USPC **D15/148**

(58) **Field of Classification Search**
USPC D6/300; D8/353; D13/156; D14/371;
D15/143, 148, 149
See application file for complete search history.

(56) **References Cited**

U.S. PATENT DOCUMENTS

D278,824 S *	5/1985	Votaw	D15/149
4,989,353 A *	2/1991	Astolfi	A47G 1/142 40/761
5,180,886 A *	1/1993	Dierenbach	H02G 3/14 174/66
D371,138 S *	6/1996	Waskiewicz	384/428
D436,926 S *	1/2001	Lew	D13/152
D437,334 S *	2/2001	Song	D15/148
D440,995 S *	4/2001	Tsergas	D15/148
D442,197 S *	5/2001	Willet	D15/143
6,384,334 B1 *	5/2002	Webb	H02G 3/126 174/50
D467,258 S *	12/2002	Tsergas	D15/148
D472,211 S *	3/2003	Tsergas	D13/122
D475,967 S *	6/2003	Tsergas	D13/122
D478,603 S *	8/2003	Tsergas	D15/148
D485,236 S *	1/2004	Tsergas	D13/122
D491,209 S *	6/2004	Tsergas	D15/148
D493,695 S *	8/2004	Wengrower	D13/177

D508,198 S *	8/2005	Holger	D8/353
D510,552 S *	10/2005	Phillips	D12/193
D531,884 S *	11/2006	Fabrizi	D8/353
D550,076 S *	9/2007	Ni	D8/353
D562,780 S *	2/2008	Egea Soler	D13/177
D609,018 S *	2/2010	Tzeng	D14/371
D613,510 S *	4/2010	Tzeng	D14/371
D622,514 S *	8/2010	Park	D6/308
D622,970 S *	9/2010	Tang	D14/371
D626,341 S *	11/2010	Tang	D14/371
D631,263 S *	1/2011	Tang	D14/371
D635,784 S *	4/2011	Li	D6/308
D636,188 S *	4/2011	Kim	D6/308
D640,639 S *	6/2011	Gravolin	D13/133
D644,914 S *	9/2011	Hoffman	D8/353
D645,794 S *	9/2011	Noble	D12/159
D647,903 S *	11/2011	McClelland	D14/371
D648,642 S *	11/2011	Wallaert	D10/49
D661,661 S *	6/2012	Marrero	D13/152

(Continued)

Primary Examiner — Patricia Palasik

(74) *Attorney, Agent, or Firm* — Robin Kelson Consulting

(57) **CLAIM**

I claim the ornamental design for the gear box cover plate, as shown and described.

DESCRIPTION

FIG. 1 is a top plan view of a gear box cover plate comprising a transparent window with marking of my new design;

FIG. 2 is a bottom plan view thereof;

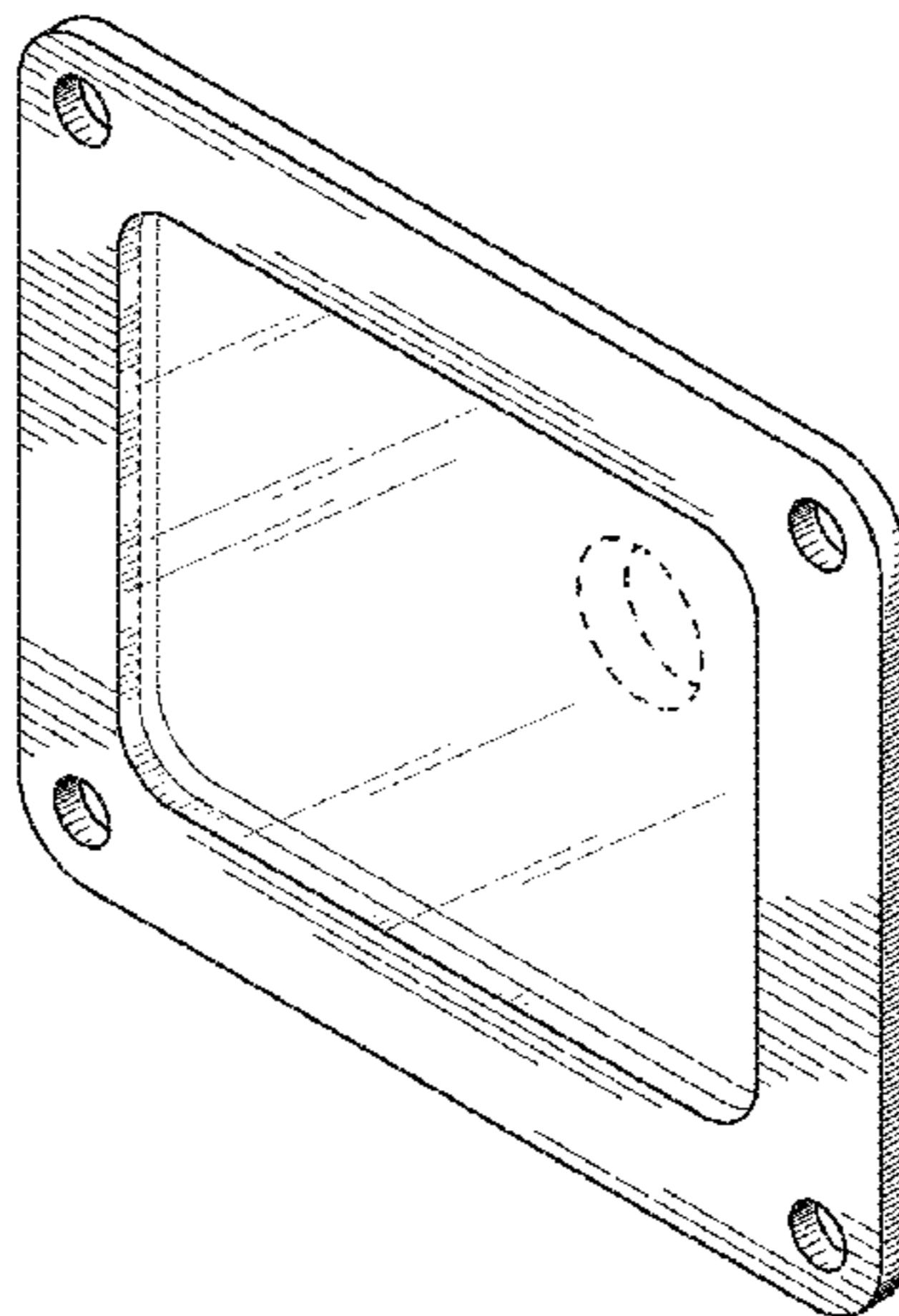
FIG. 3 is a long side plan view thereof, it being understood that the opposite side not shown is a substantial mirror image thereof;

FIG. 4 is a short side plan view thereof, it being understood that the opposite side not shown is a substantial mirror image thereof; and,

FIG. 5 is a perspective view thereof.

The broken line showing of environmental structure in the drawings is for illustrative purposes only and forms no part of the claimed design. The cross-hatched portions in the drawings are not required to be transparent.

1 Claim, 2 Drawing Sheets



(56)

References Cited

U.S. PATENT DOCUMENTS

D670,507 S *	11/2012	Fenno, III	D6/302	D712,400 S *	9/2014	Kim	D14/341
D686,827 S *	7/2013	Lee	D6/301	D714,617 S *	10/2014	Miller	D8/350
D689,054 S *	9/2013	Snyder	D14/440	D719,528 S *	12/2014	Hagarty	D13/156
D705,223 S *	5/2014	Akana	D14/341	8,951,157 B2 *	2/2015	McGlaun	F16H 57/027 475/161
D706,775 S *	6/2014	Akana	D14/341	D730,158 S *	5/2015	Miller	D8/350
D707,635 S *	6/2014	Hagarty	D13/156	D733,679 S *	7/2015	Fan	D14/214
					D737,245 S *	8/2015	Fan	D14/214

* cited by examiner

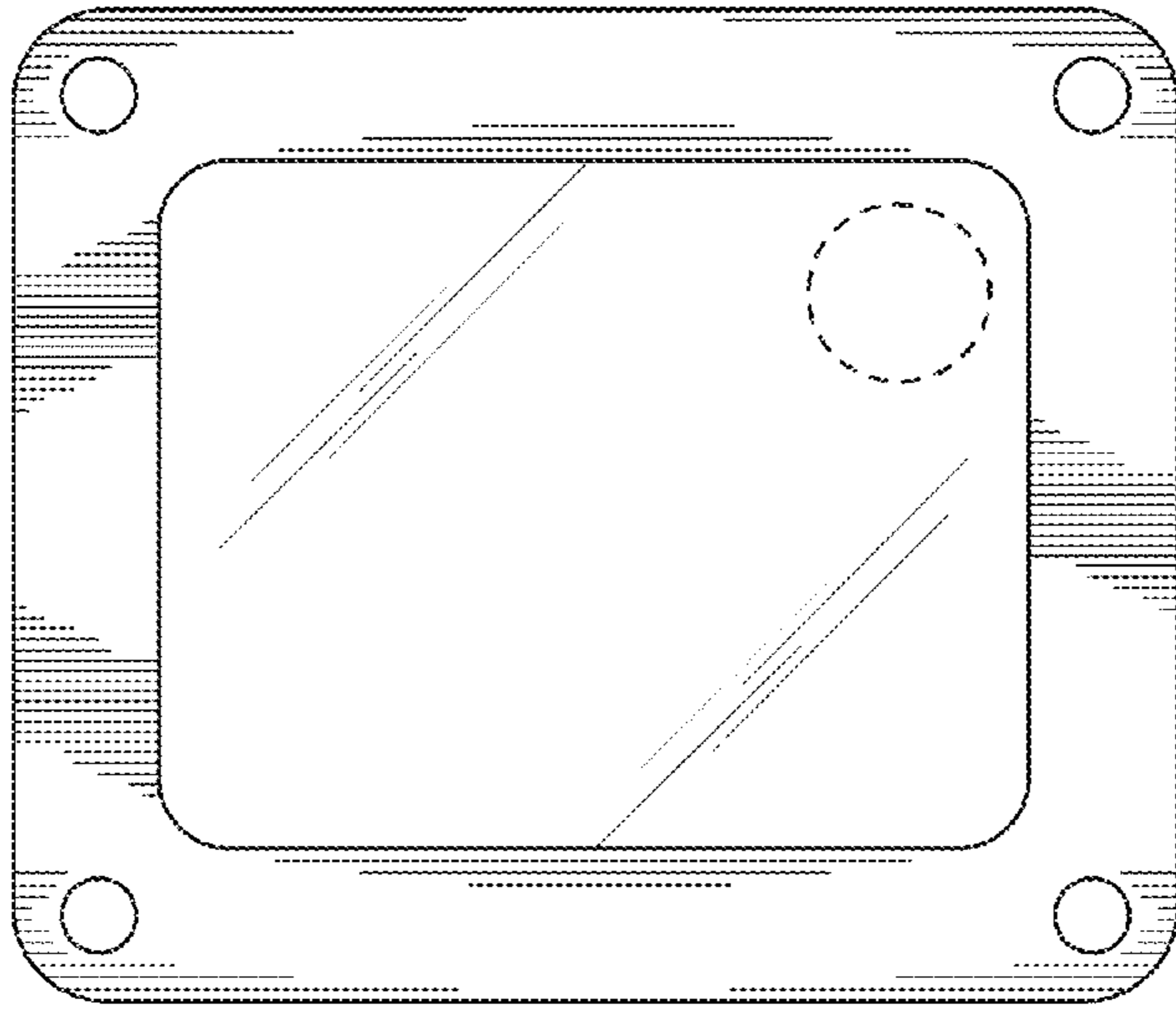


FIGURE 1

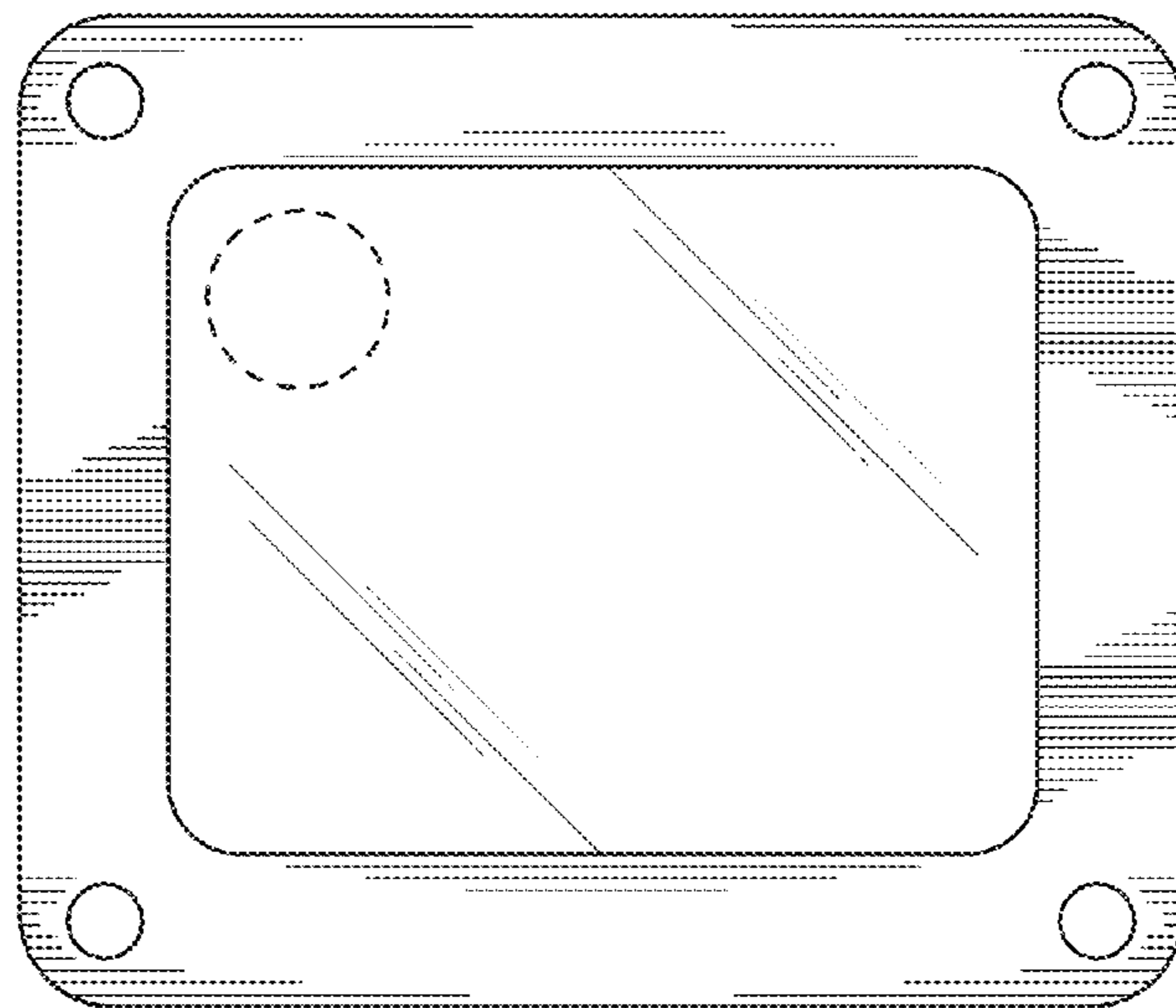


FIGURE 2

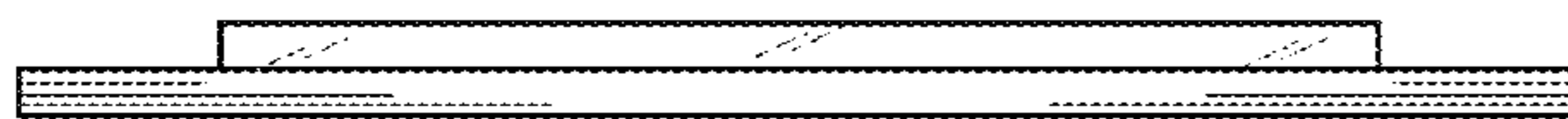


FIGURE 3

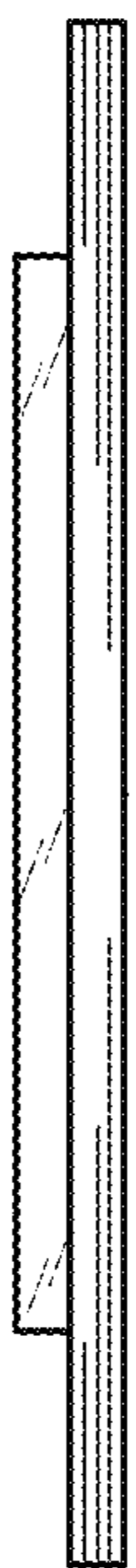


FIGURE 4

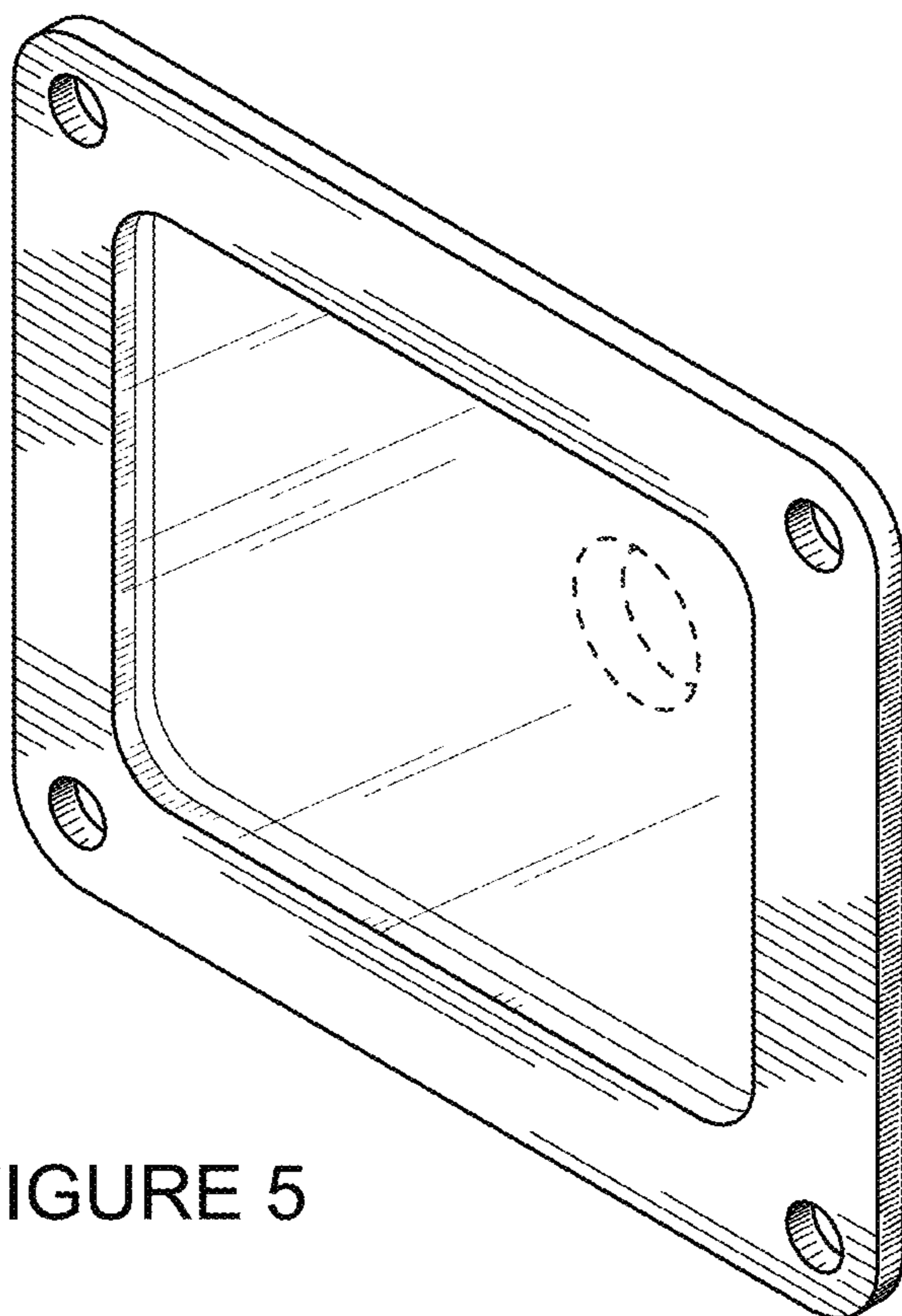


FIGURE 5