



US00D767003S

(12) **United States Design Patent** (10) **Patent No.:** **US D767,003 S**  
**Lin** (45) **Date of Patent:** **\*\* Sep. 20, 2016**

(54) **LINEAR ACTUATOR**  
(71) Applicant: **TIMOTION TECHNOLOGY CO., LTD.**, New Taipei (TW)  
(72) Inventor: **Yu-Chang Lin**, New Taipei (TW)  
(73) Assignee: **TIMOTION TECHNOLOGY CO., LTD.**, New Taipei (TW)  
(\*\*) Term: **14 Years**  
(21) Appl. No.: **29/524,850**  
(22) Filed: **Apr. 23, 2015**  
(51) **LOC (10) Cl.** ..... **15-09**  
(52) **U.S. Cl.**  
USPC ..... **D15/143**  
(58) **Field of Classification Search**  
USPC ..... D13/118, 158, 162, 184; D15/1-5, 7, 9,  
D15/143, 148, 149, 199  
See application file for complete search history.

D553,794 S \* 10/2007 Walker ..... D28/63  
D564,002 S \* 3/2008 Campbell ..... D16/135  
7,337,933 B1 \* 3/2008 Klinberg ..... A47G 25/82  
223/118  
D570,385 S \* 6/2008 Chuo ..... D15/143  
D572,281 S \* 7/2008 Wei ..... D15/143  
D600,843 S \* 9/2009 Thomson ..... D26/65  
D603,794 S \* 11/2009 Charleux ..... D13/112  
D623,800 S \* 9/2010 Clemons ..... D28/46  
D624,947 S \* 10/2010 Christensen ..... D15/143  
D702,271 S \* 4/2014 Lin ..... D15/143  
D708,239 S \* 7/2014 Lin ..... D15/143  
D712,945 S \* 9/2014 Brucksch ..... D16/132  
D729,929 S \* 5/2015 McBride ..... D24/108  
D738,413 S \* 9/2015 Randlov ..... D15/143  
2003/0183027 A1 \* 10/2003 Koch ..... A47B 9/04  
74/89.35  
2004/0211275 A1 \* 10/2004 Fich ..... A47B 9/04  
74/89.23  
2008/0190225 A1 \* 8/2008 Pfister ..... B23Q 5/40  
74/89.23

(Continued)

*Primary Examiner* — Patricia Palasik  
(74) *Attorney, Agent, or Firm* — Chun-Ming Shih; HDLS  
IPR Services

(56) **References Cited**  
U.S. PATENT DOCUMENTS

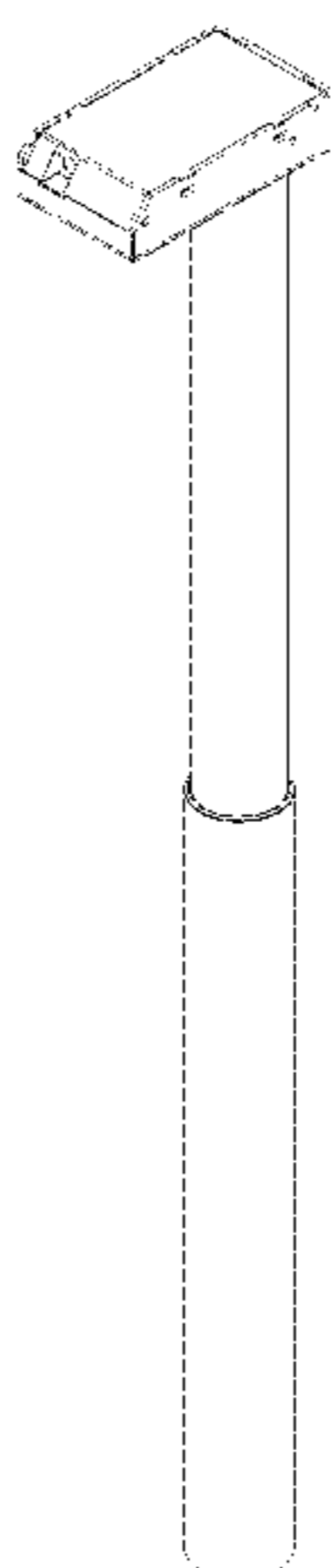
D263,715 S \* 4/1982 Walter ..... D15/199  
4,325,157 A \* 4/1982 Balint ..... B05C 17/0205  
15/144.4  
D289,164 S \* 4/1987 Carr ..... D14/231  
D300,404 S \* 3/1989 Lauer ..... D8/14  
D342,749 S \* 12/1993 Dhuruvasangary ..... D16/131  
D394,328 S \* 5/1998 Palumbo ..... D28/7  
5,927,161 A \* 7/1999 Clifford ..... B25B 23/0021  
81/177.2  
D422,193 S \* 4/2000 Walker ..... D8/107  
6,081,967 A \* 7/2000 Chang ..... A45C 13/262  
16/113.1  
6,405,407 B1 \* 6/2002 Chen ..... A45C 13/262  
16/113.1  
D465,797 S \* 11/2002 Landerholm ..... D15/143  
D467,950 S \* 12/2002 Christensen ..... D15/148  
D482,530 S \* 11/2003 Evans ..... D32/50  
D487,902 S \* 3/2004 Nielsen ..... D15/143  
D509,520 S \* 9/2005 Klinke ..... D15/143  
D524,335 S \* 7/2006 Klinke ..... D15/143  
D534,560 S \* 1/2007 Klinke ..... D15/143

(57) **CLAIM**  
The ornamental design for a linear actuator, as shown and described.

**DESCRIPTION**

FIG. 1 is a perspective view of a linear actuator showing my new design;  
FIG. 2 is a front view thereof;  
FIG. 3 is a rear view thereof;  
FIG. 4 is a left side view thereof;  
FIG. 5 is a right side view thereof;  
FIG. 6 is a top view thereof;  
FIG. 7 is a bottom view thereof; and  
FIG. 8 is second perspective view showing the linear actuator; and,  
FIG. 9 is a perspective view showing an alternate condition use of the linear actuator. The broken lines in the FIG. 7 drawings depict unclaimed environmental subject matter.

**1 Claim, 6 Drawing Sheets**



# US D767,003 S

Page 2

(56)

## References Cited

### U.S. PATENT DOCUMENTS

|              |     |         |            |       |      |         |          |
|--------------|-----|---------|------------|-------|------|---------|----------|
| 2011/0174092 | A1* | 7/2011  | Butsuen    | ..... | B60J | 7/0573  | 74/25    |
| 2012/0103740 | A1* | 5/2012  | Moussatche | ..... | A45C | 13/262  | 190/115  |
| 2012/0227523 | A1* | 9/2012  | Tseng      | ..... | B23Q | 1/621   | 74/89.23 |
| 2013/0340547 | A1* | 12/2013 | Yasui      | ..... | F16H | 25/20   | 74/49    |
| 2014/0183429 | A1* | 7/2014  | Conaway    | ..... | B60S | 9/08    | 254/419  |
| 2015/0068332 | A1* | 3/2015  | Bakken     | ..... | H02G | 3/0406  | 74/25    |
| 2015/0202766 | A1* | 7/2015  | Light      | ..... | B25G | 1/04    | 16/429   |
| 2015/0330486 | A1* | 11/2015 | Hu         | ..... | F16H | 25/20   | 74/89.14 |
| 2016/0047446 | A1* | 2/2016  | Hung       | ..... | F16H | 25/2056 | 74/89.35 |

\* cited by examiner

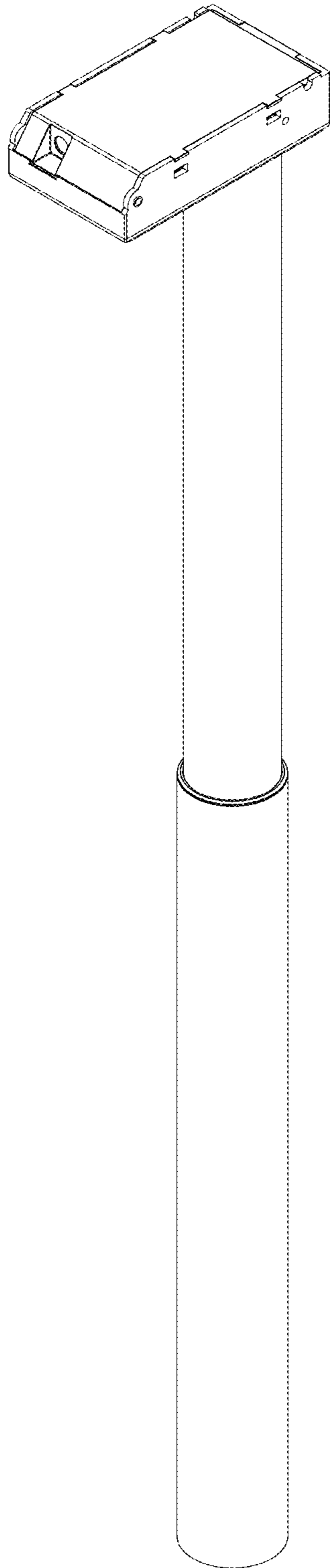


FIG.1

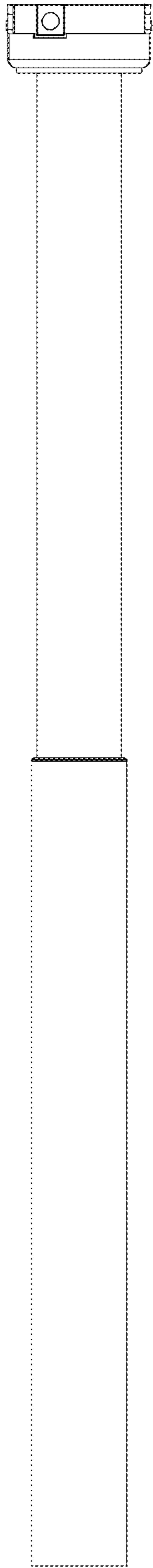


FIG. 2

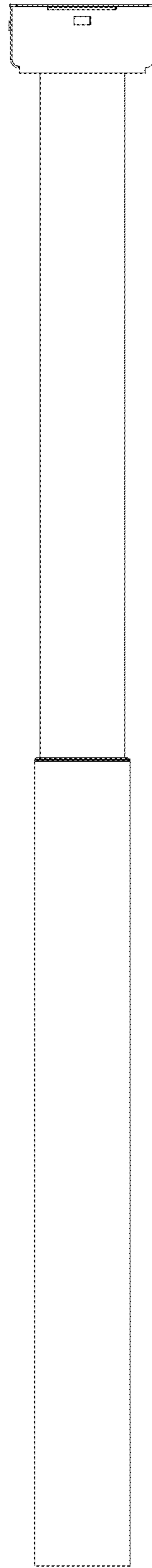


FIG. 3

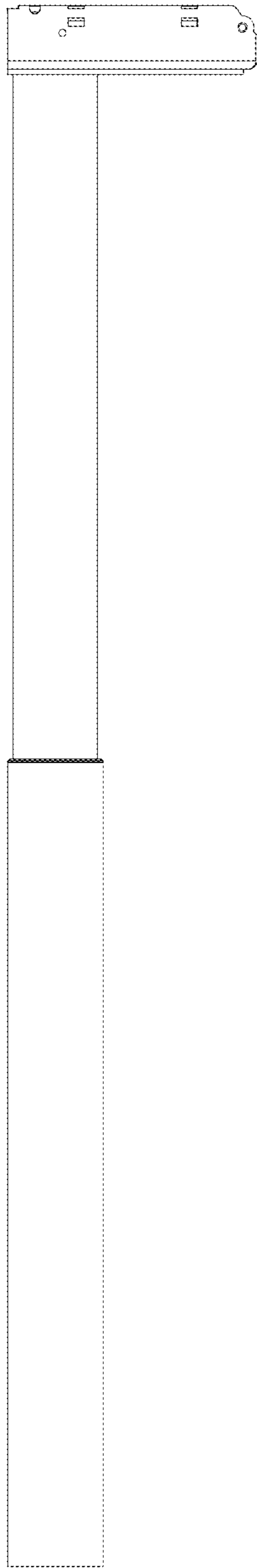


FIG.4

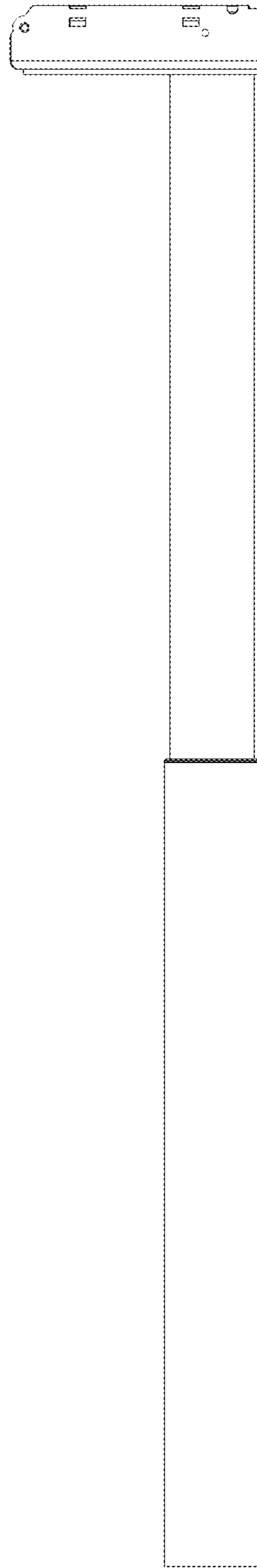


FIG.5

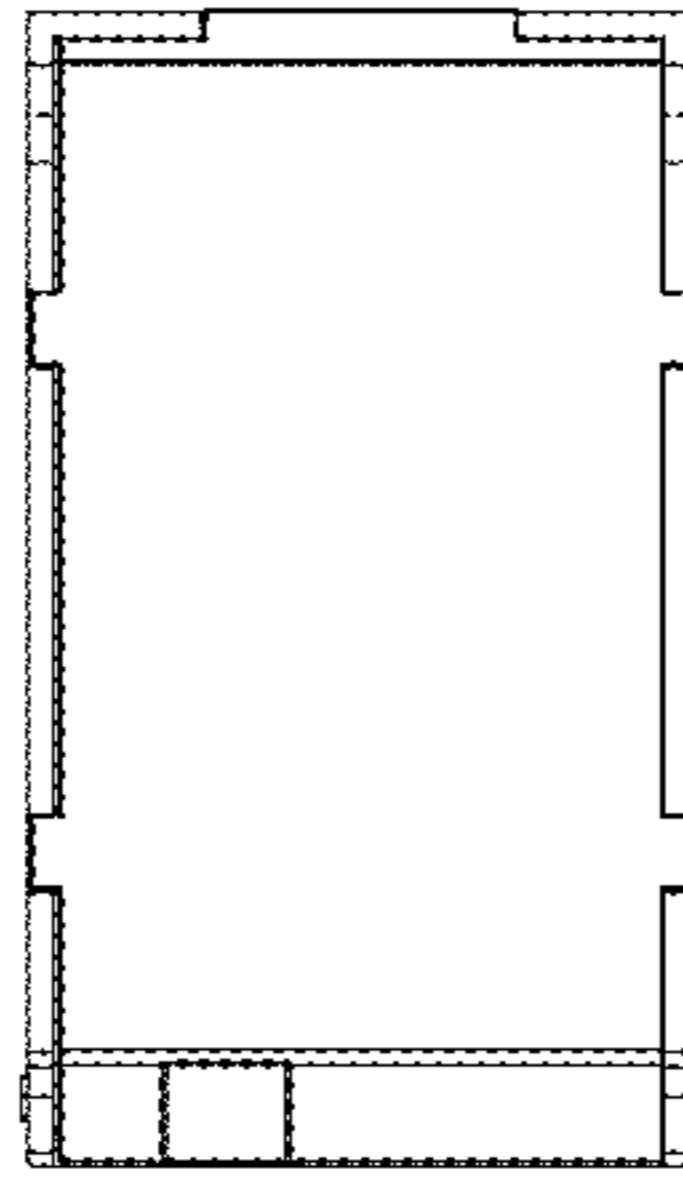


FIG. 6

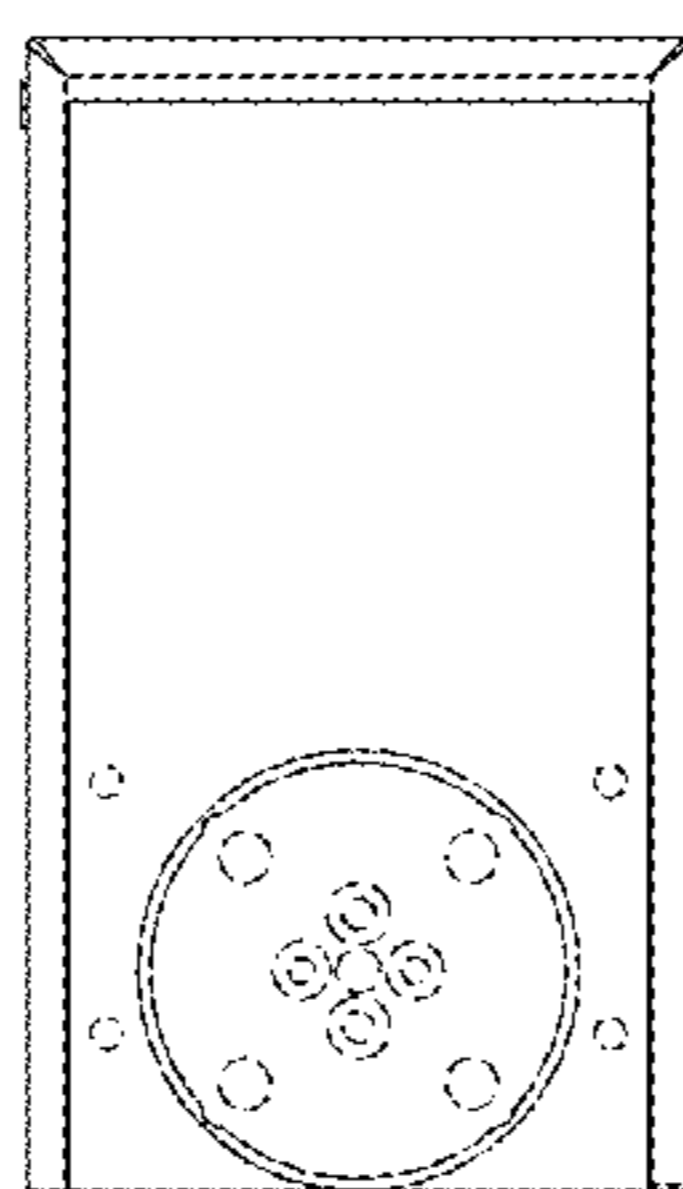


FIG. 7

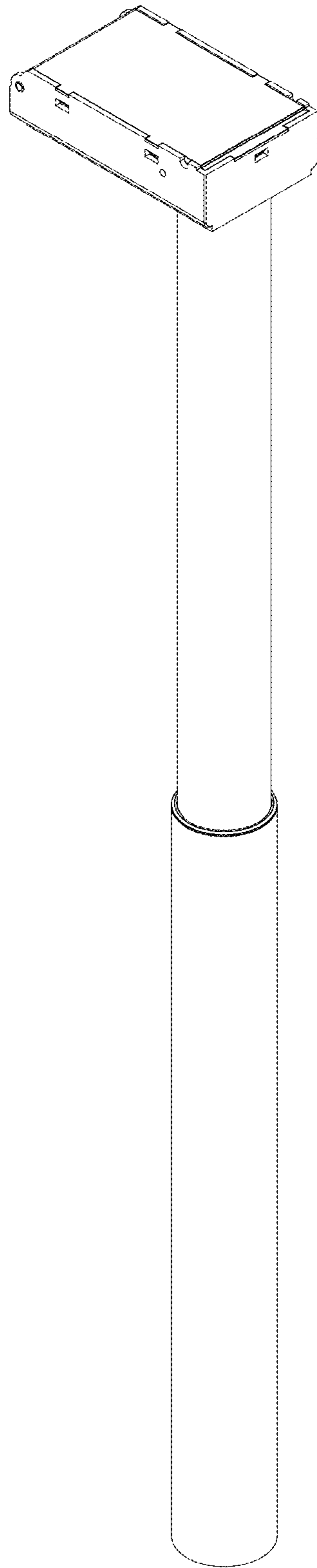


FIG.8

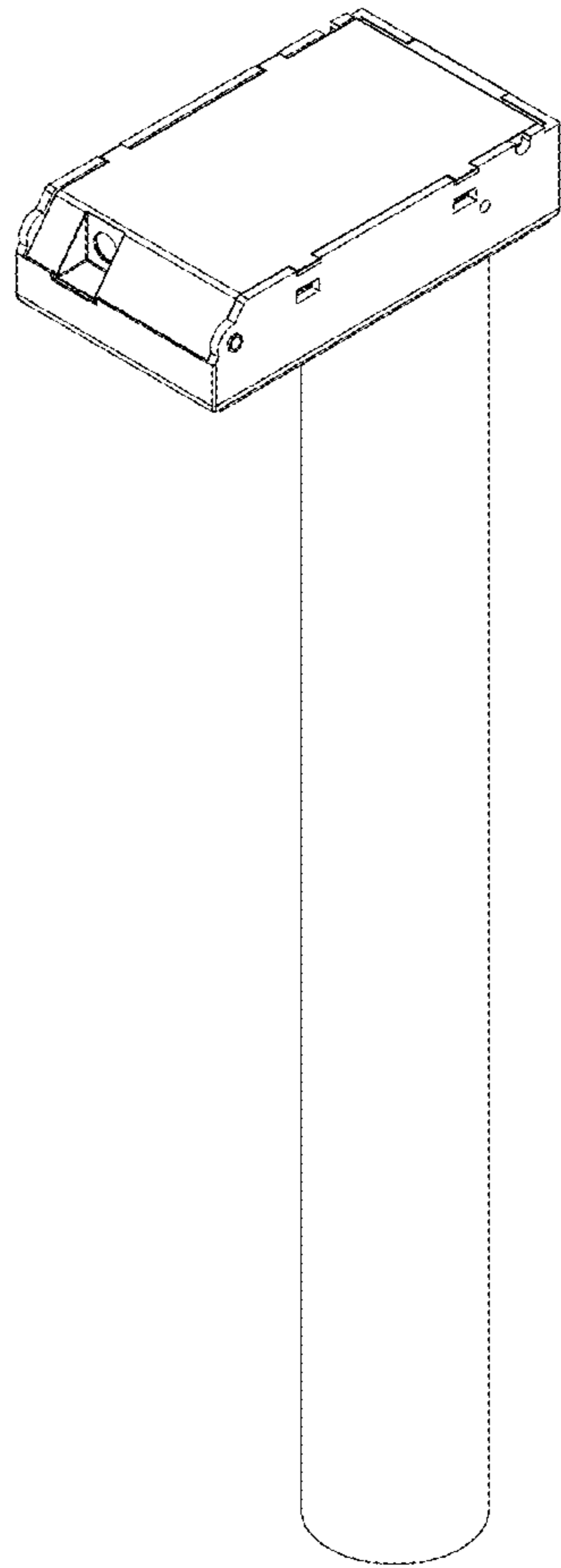


FIG.9