



US00D767001S

(12) **United States Design Patent** (10) **Patent No.:** **US D767,001 S**
Lin (45) **Date of Patent:** **** Sep. 20, 2016**

(54) **LINEAR ACTUATOR**
(71) Applicant: **TIMOTION TECHNOLOGY CO., LTD.**, New Taipei (TW)
(72) Inventor: **Yu-Chang Lin**, New Taipei (TW)
(73) Assignee: **TIMOTION TECHNOLOGY CO., LTD.**, New Taipei (TW)
(**) Term: **14 Years**
(21) Appl. No.: **29/524,803**
(22) Filed: **Apr. 23, 2015**
(51) **LOC (10) Cl.** **15-09**
(52) **U.S. Cl.**
USPC **D15/143**
(58) **Field of Classification Search**
USPC D13/118, 158, 162, 184; D15/1-5, 7, 9,
D15/143, 148, 149, 199
See application file for complete search history.

D553,794 S * 10/2007 Walker D28/63
D564,002 S * 3/2008 Campbell D16/135
7,337,933 B1 * 3/2008 Klinberg A47G 25/82
223/118
D570,385 S * 6/2008 Chuo D15/143
D572,281 S * 7/2008 Wei D15/143
D600,843 S * 9/2009 Thomson D26/65
D603,794 S * 11/2009 Charleux D13/112
D623,800 S * 9/2010 Clemons D28/46
D624,947 S * 10/2010 Christensen D15/143
D702,271 S * 4/2014 Lin D15/143
D708,239 S * 7/2014 Lin D15/143
D712,945 S * 9/2014 Brucksch D16/132
D729,929 S * 5/2015 McBride D24/108
D738,413 S * 9/2015 Randlov D15/143
2003/0183027 A1 * 10/2003 Koch A47B 9/04
74/89.35
2004/0211275 A1 * 10/2004 Fich A47B 9/04
74/89.23
2008/0190225 A1 * 8/2008 Pfister B23Q 5/40
74/89.23

(Continued)

Primary Examiner — Patricia Palasik
(74) *Attorney, Agent, or Firm* — Chun-Ming Shih; HDLS
IPR Services

(56) **References Cited**
U.S. PATENT DOCUMENTS

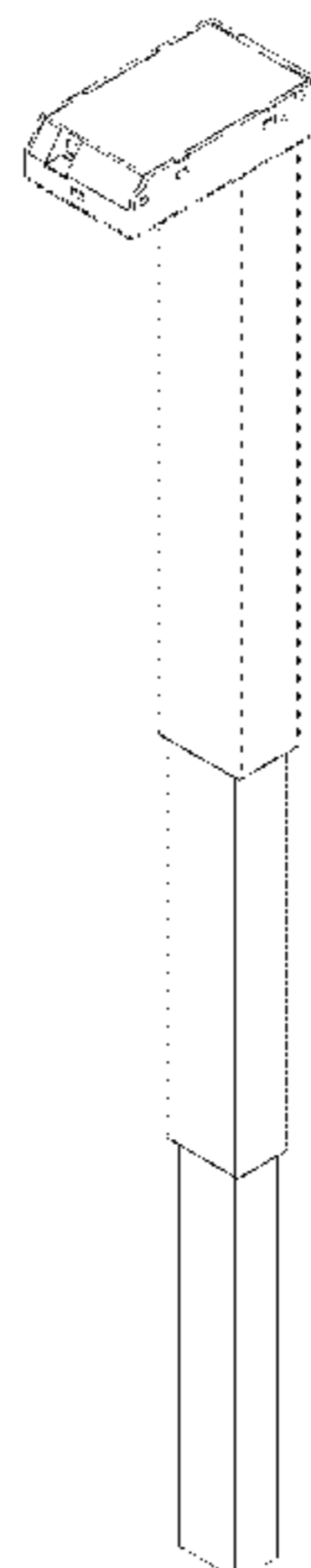
D263,715 S * 4/1982 Walter D15/199
4,325,157 A * 4/1982 Balint B05C 17/0205
15/144.4
D289,164 S * 4/1987 Carr D14/231
D300,404 S * 3/1989 Lauer D8/14
D342,749 S * 12/1993 Dhuruvasangary D16/131
D394,328 S * 5/1998 Palumbo D28/7
5,927,161 A * 7/1999 Clifford B25B 23/0021
81/177.2
D422,193 S * 4/2000 Walker D8/107
6,081,967 A * 7/2000 Chang A45C 13/262
16/113.1
6,405,407 B1 * 6/2002 Chen A45C 13/262
16/113.1
D465,797 S * 11/2002 Landerholm D15/143
D467,950 S * 12/2002 Christensen D15/148
D482,530 S * 11/2003 Evans D32/50
D487,902 S * 3/2004 Nielsen D15/143
D509,520 S * 9/2005 Klinke D15/143
D524,335 S * 7/2006 Klinke D15/143
D534,560 S * 1/2007 Klinke D15/143

(57) **CLAIM**
The ornamental design for a linear actuator, as shown and described.

DESCRIPTION

FIG. 1 is a perspective view of a linear actuator showing my new design;
FIG. 2 is a front view thereof;
FIG. 3 is a rear view thereof;
FIG. 4 is a left side view thereof;
FIG. 5 is a right side view thereof;
FIG. 6 is a top view thereof;
FIG. 7 is a bottom view thereof; and
FIG. 8 is second perspective view showing the linear actuator; and,
FIG. 9 is a perspective view showing an alternate condition use of the linear actuator. The broken lines in the FIG. 7 drawings depict unclaimed environmental subject matter.

1 Claim, 6 Drawing Sheets



US D767,001 S

Page 2

(56)

References Cited

U.S. PATENT DOCUMENTS

2011/0174092	A1*	7/2011	Butsuen	B60J 7/0573 74/25
2012/0103740	A1*	5/2012	Moussatche	A45C 13/262 190/115
2012/0227523	A1*	9/2012	Tseng	B23Q 1/621 74/89.23
2013/0340547	A1*	12/2013	Yasui	F16H 25/20 74/49
2014/0183429	A1*	7/2014	Conaway	B60S 9/08 254/419
2015/0068332	A1*	3/2015	Bakken	H02G 3/0406 74/25
2015/0202766	A1*	7/2015	Light	B25G 1/04 16/429
2015/0330486	A1*	11/2015	Hu	F16H 25/20 74/89.14
2016/0047446	A1*	2/2016	Hung	F16H 25/2056 74/89.35

* cited by examiner

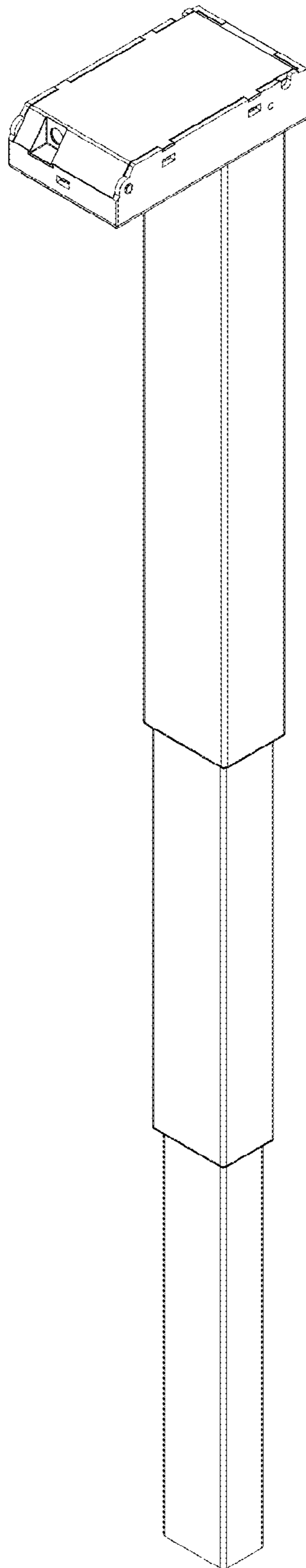


FIG.1

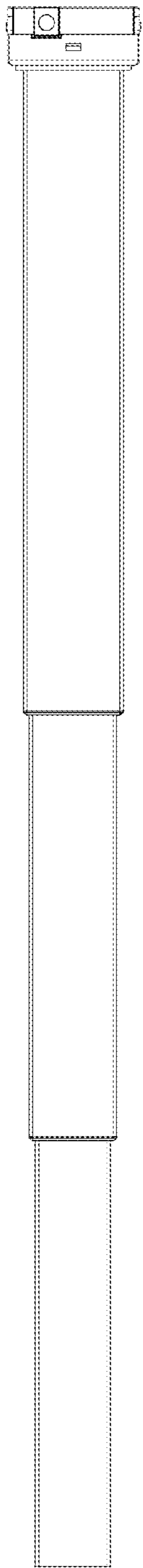


FIG. 2

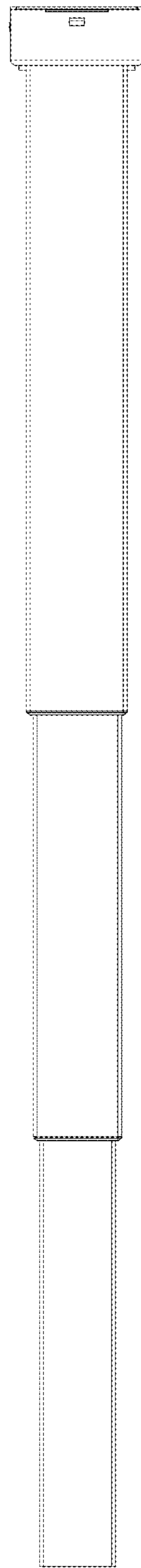


FIG. 3

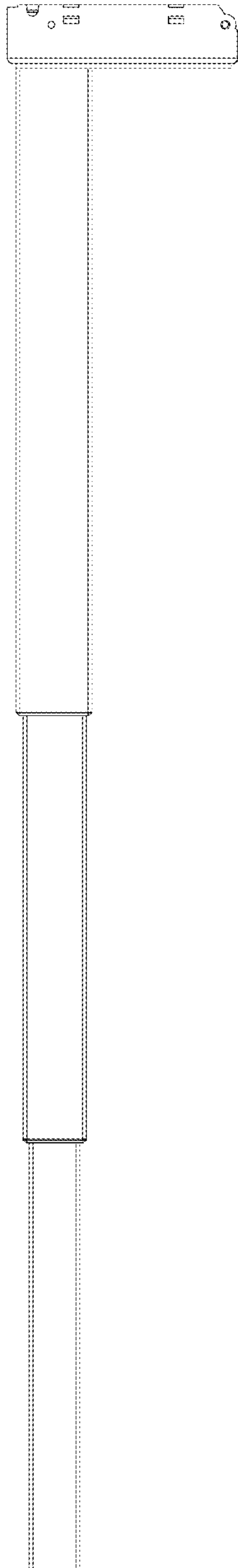


FIG.4

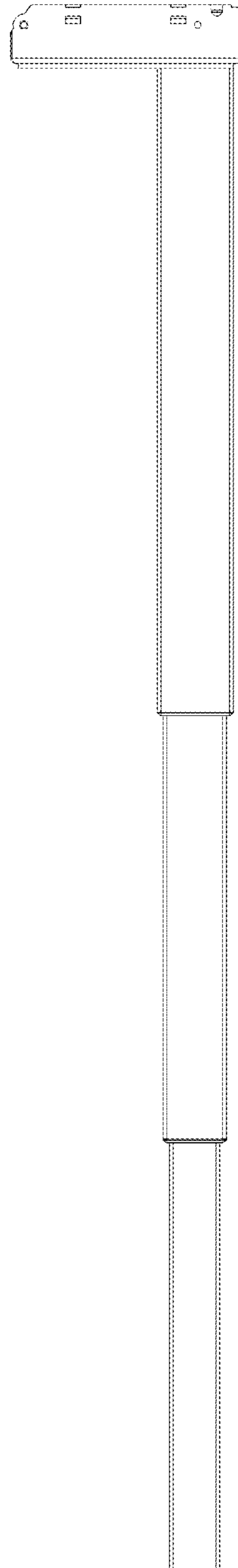


FIG.5

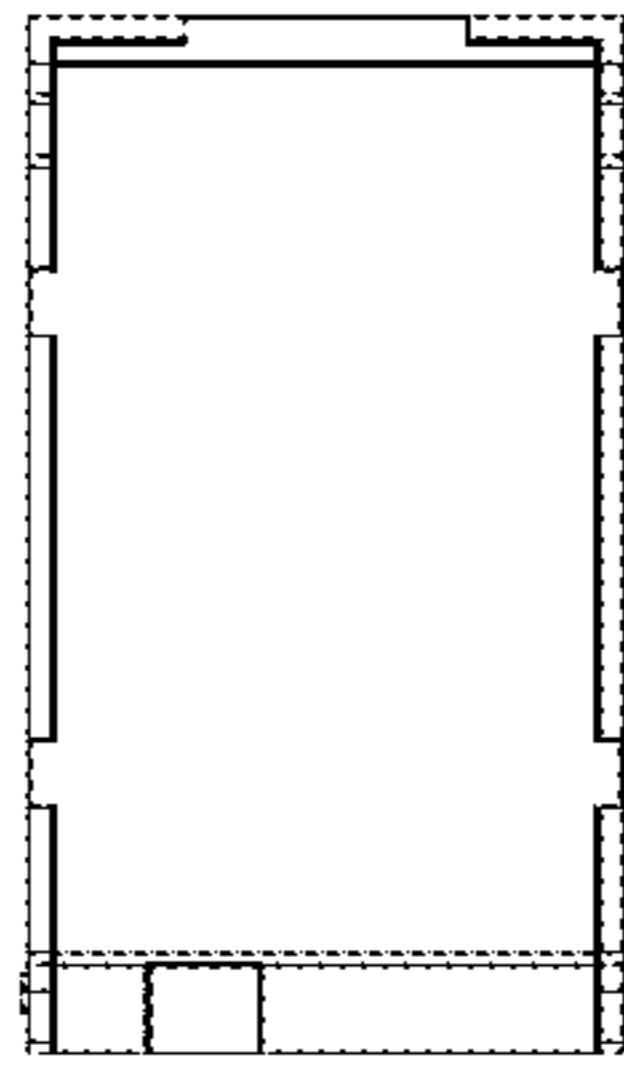


FIG. 6

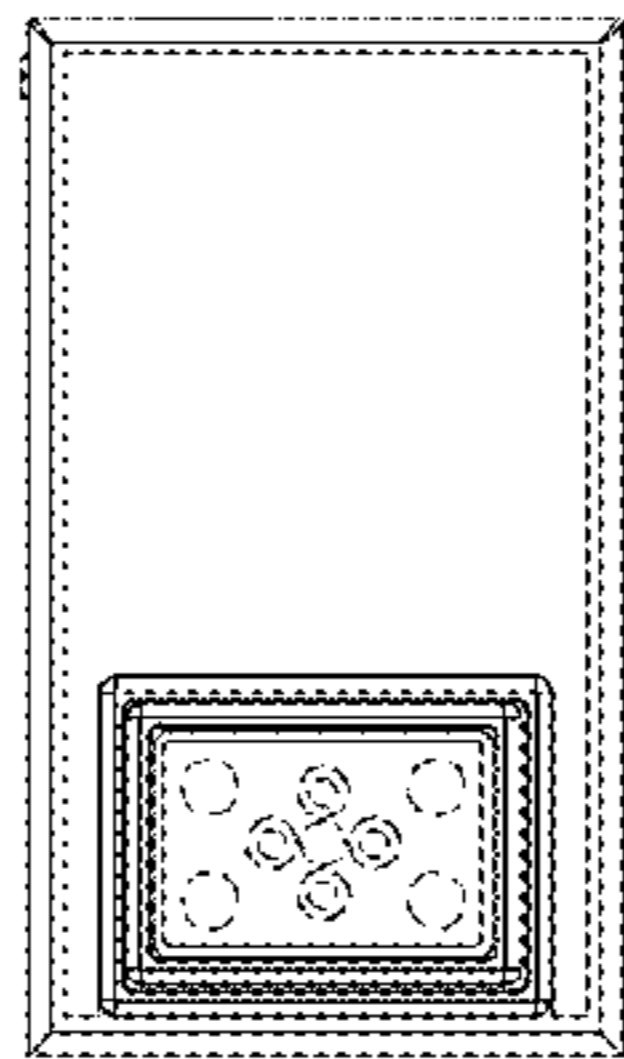


FIG. 7

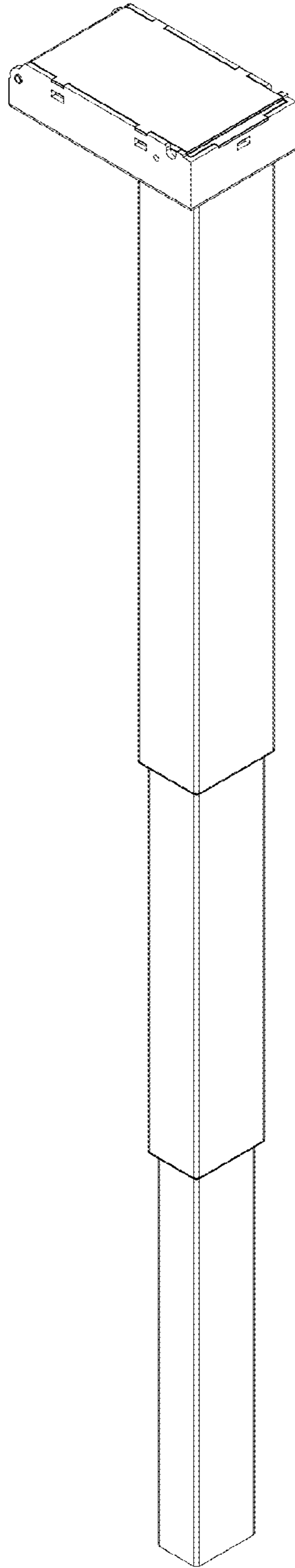


FIG.8

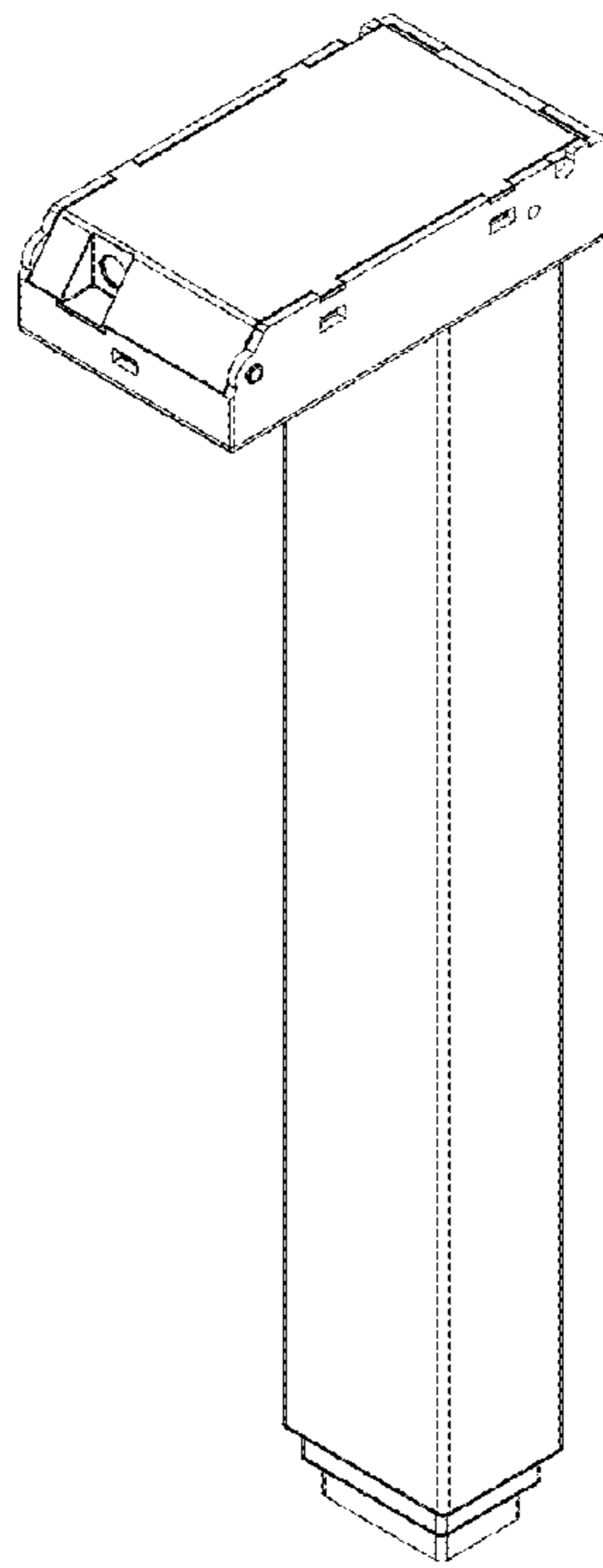


FIG.9