

US00D766995S

(12) **United States Design Patent** (10) **Patent No.:** **US D766,995 S**
Annetts (45) **Date of Patent:** **** Sep. 20, 2016**

- (54) **EXCAVATOR BUCKET**
- (71) Applicant: **Taurus Mining Solutions Pty Ltd**,
Paget, Mackay QLD (AU)
- (72) Inventor: **Richard Annetts**, Paget (AU)
- (73) Assignee: **Taurus Mining Solutions Pty Ltd**,
Paget, Queensland (AU)
- (**) Term: **15 Years**
- (21) Appl. No.: **29/536,870**
- (22) Filed: **Aug. 20, 2015**
- (51) **LOC (10) Cl.** **15-04**
- (52) **U.S. Cl.**
USPC **D15/32**
- (58) **Field of Classification Search**
USPC D15/28, 29, 32
CPC E02F 3/40; E02F 3/96; E02F 3/04;
E02F 3/962; E02F 3/404; E02F 3/401;
E02F 9/24; E02F 9/28; B65G 2812/02742;
B65G 17/36
See application file for complete search history.

- D469,786 S * 2/2003 Miller D15/24
- D524,826 S * 7/2006 Boyapally D15/29
- D551,684 S * 9/2007 McClallen D15/32
- D616,469 S * 5/2010 Ballinger D15/32
- D669,919 S * 10/2012 Attwood D15/32
- D748,157 S * 1/2016 Phillips D15/32

* cited by examiner

Primary Examiner — Mark Goodwin
(74) *Attorney, Agent, or Firm* — Shifrin Patent Law; Dan Shifrin

(57) **CLAIM**

The ornamental design for an excavator bucket, as substantially shown and described.

DESCRIPTION

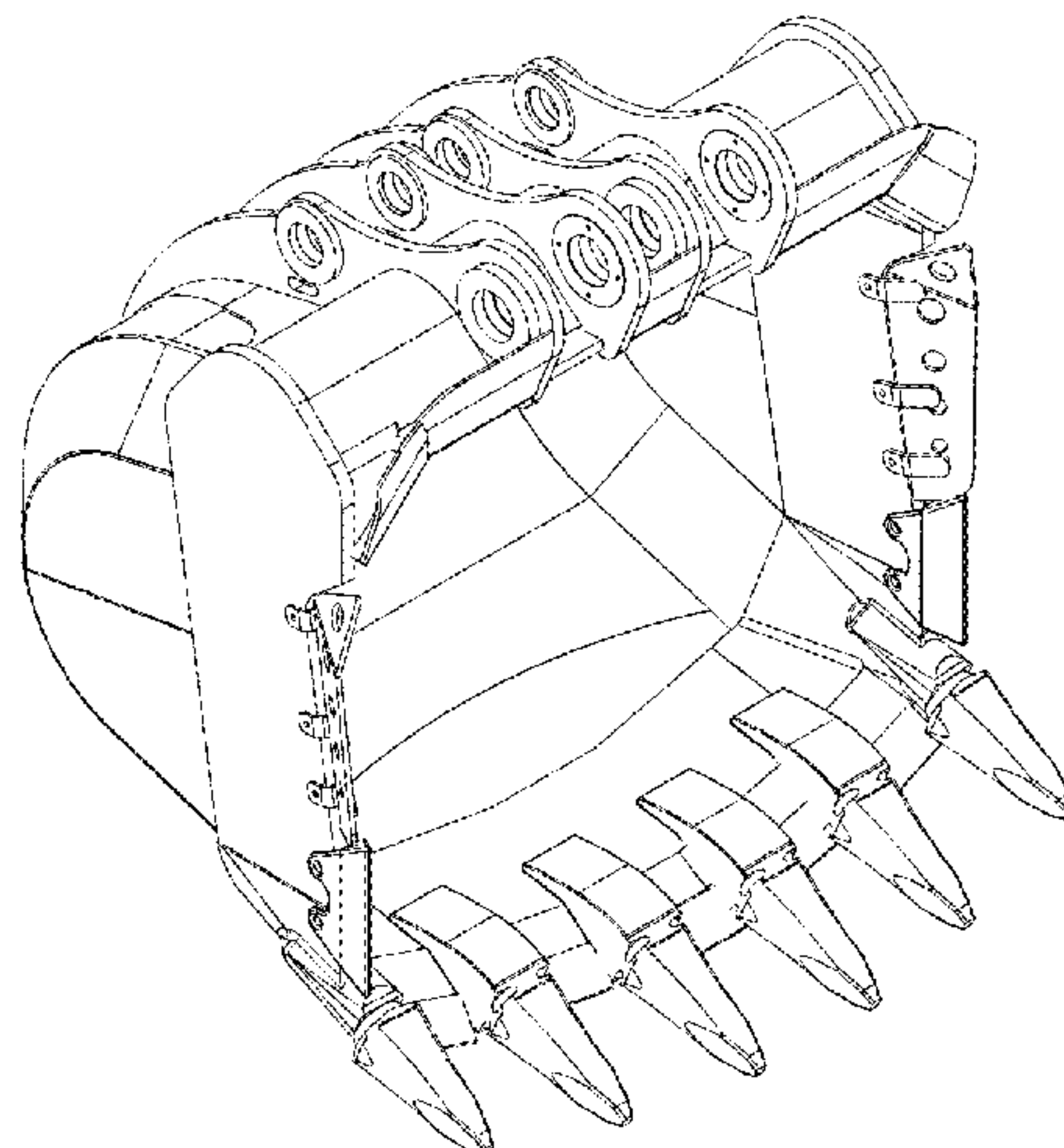
FIG. 1 is a back view of the excavator bucket of the present invention;
 FIG. 2 is a front view of the excavator bucket of the present invention;
 FIG. 3 is a bottom view of the excavator bucket of the present invention;
 FIG. 4 is a top view of the excavator bucket of the present invention;
 FIG. 5 is a left side view of the excavator bucket of the present invention;
 FIG. 6 is a right side view of the excavator bucket of the present invention;
 FIG. 7 is a top front perspective view of the excavator bucket of the present invention;
 FIG. 8 is a bottom front perspective view of the excavator bucket of the present invention;
 FIG. 9 is a top rear perspective view of the excavator bucket of the present invention; and,
 FIG. 10 is a bottom rear perspective view of the excavator bucket of the present invention.

1 Claim, 5 Drawing Sheets

(56) **References Cited**

U.S. PATENT DOCUMENTS

- 3,854,608 A * 12/1974 Arnold E02F 3/962
37/406
- 4,081,919 A * 4/1978 Teach E02F 3/40
37/444
- 4,123,861 A * 11/1978 Hemphill E02F 3/40
37/195
- 4,719,711 A * 1/1988 Sieber E02F 9/2808
37/444
- D299,723 S * 2/1989 Frawley D15/32
- D308,528 S * 6/1990 Harr D15/32
- D357,260 S * 4/1995 Kallen D15/32
- 5,526,591 A * 6/1996 Otwell E02F 3/815
37/379



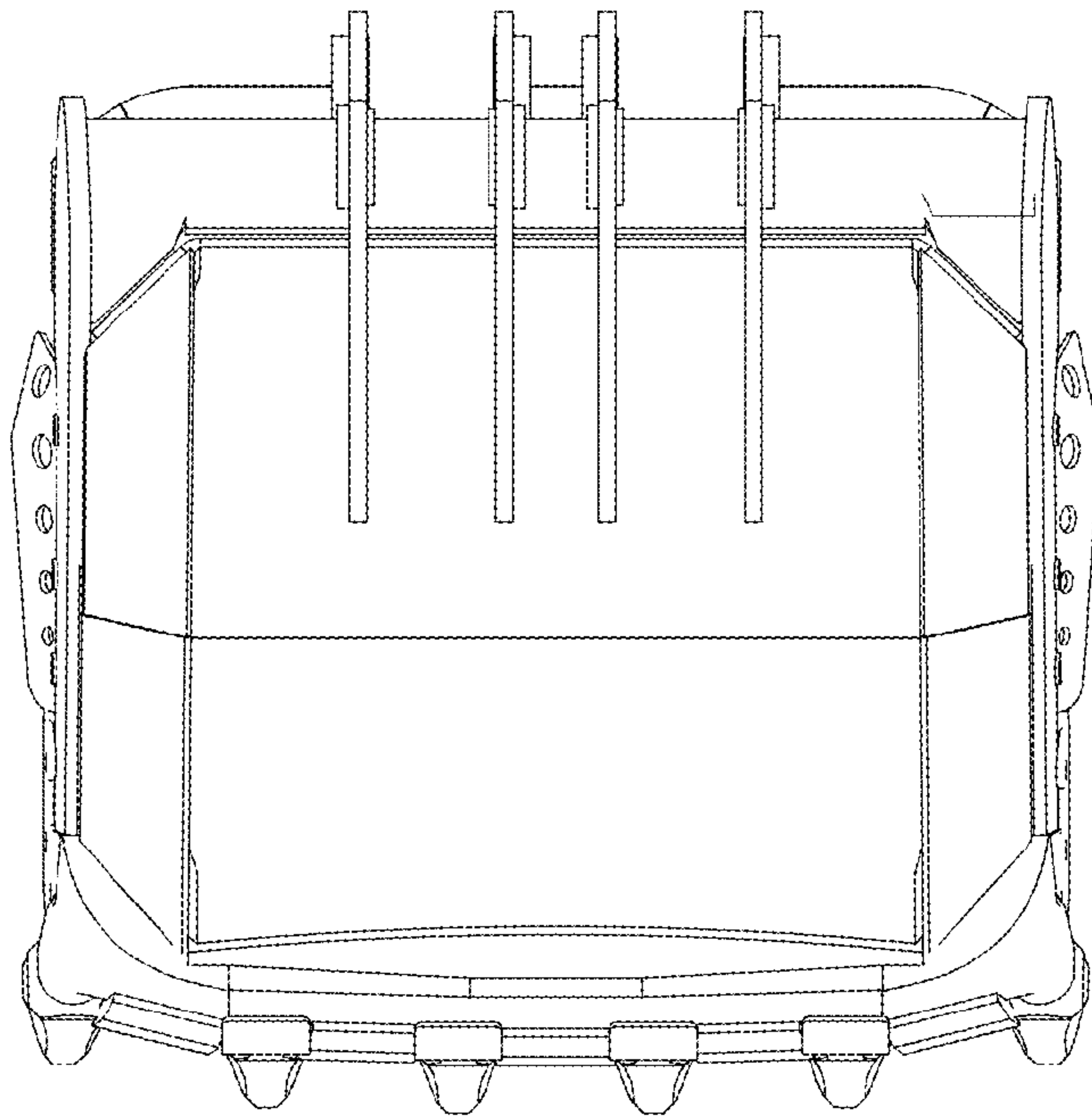


FIG. 1

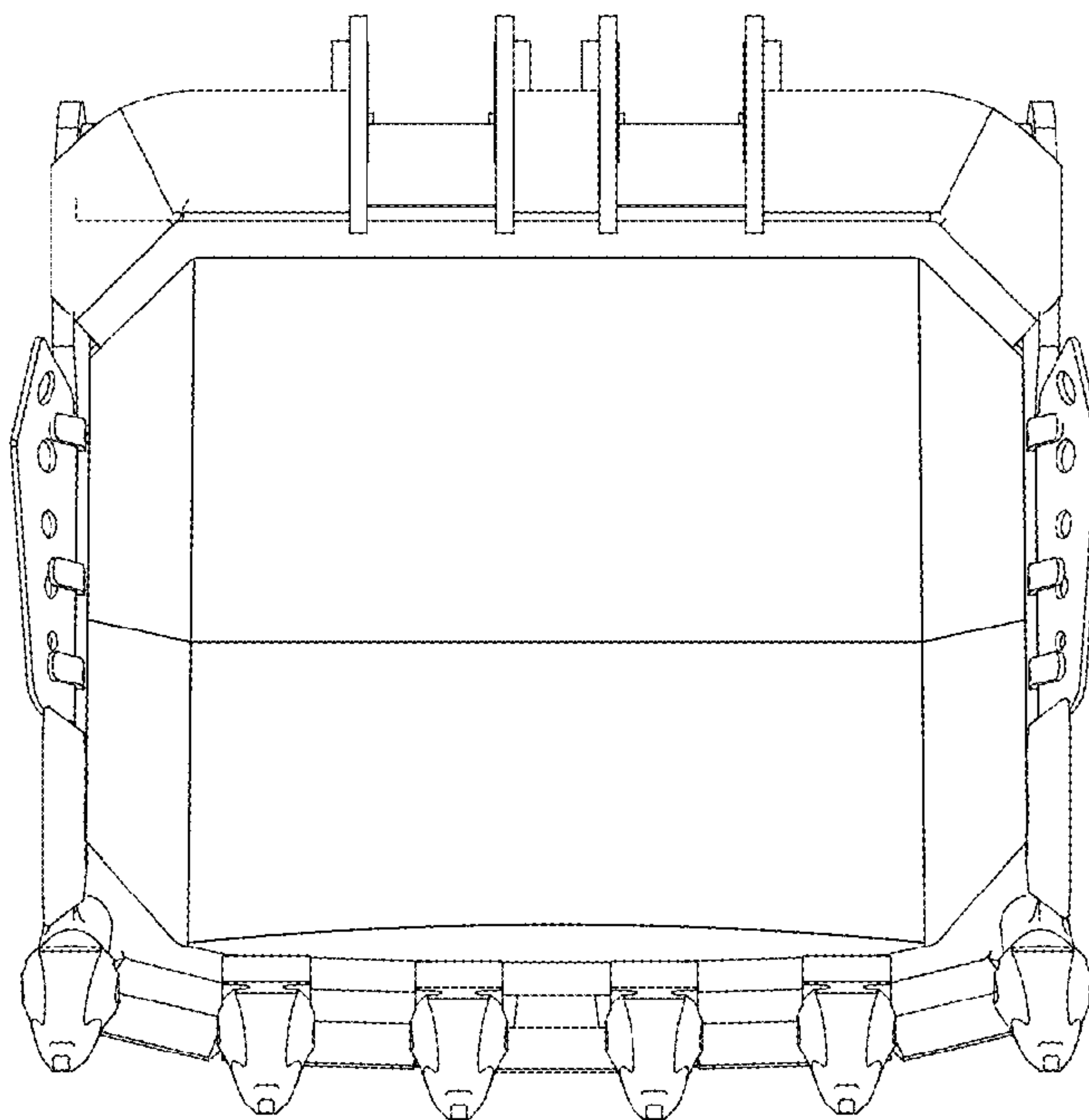


FIG. 2

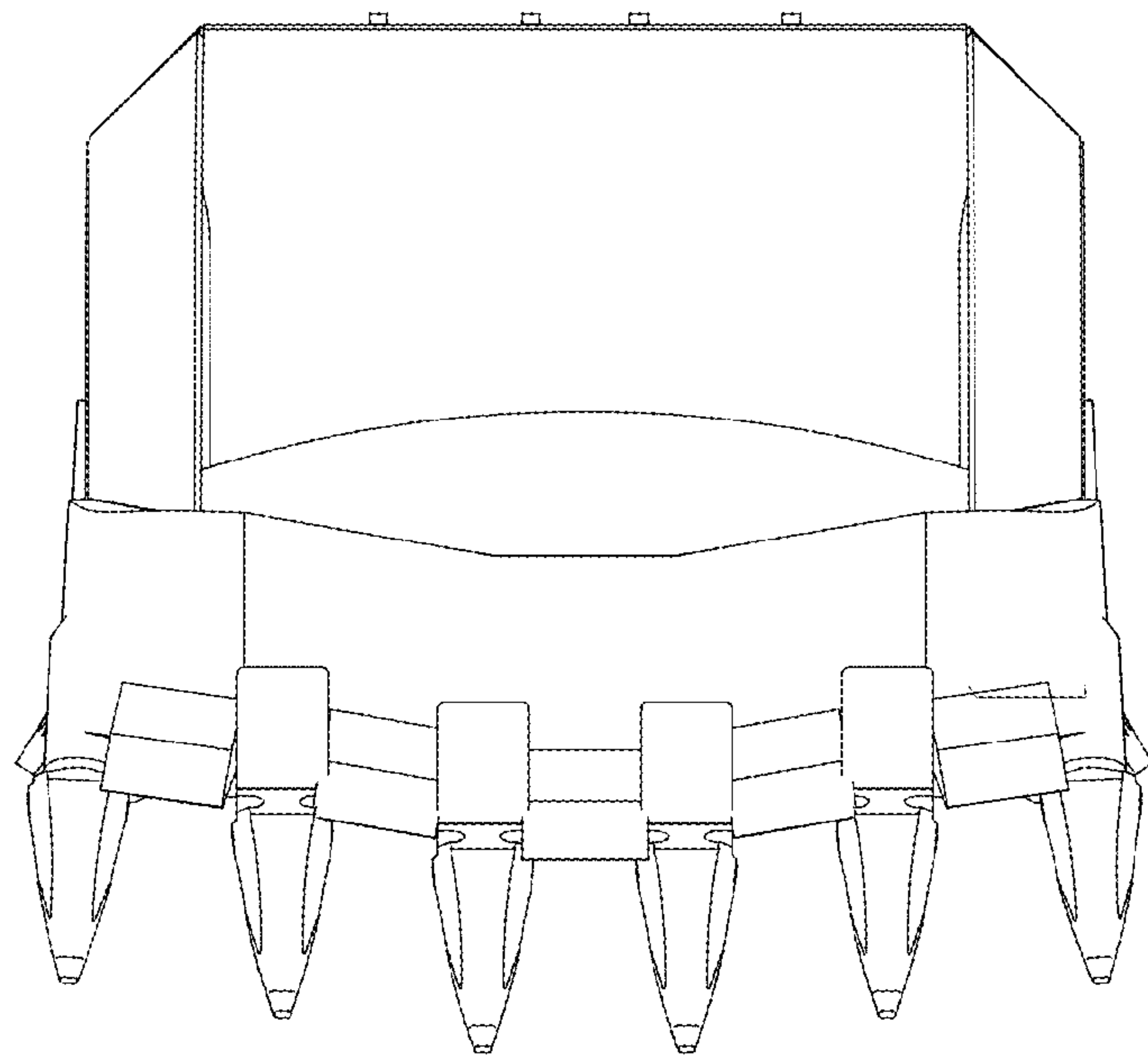


FIG. 3

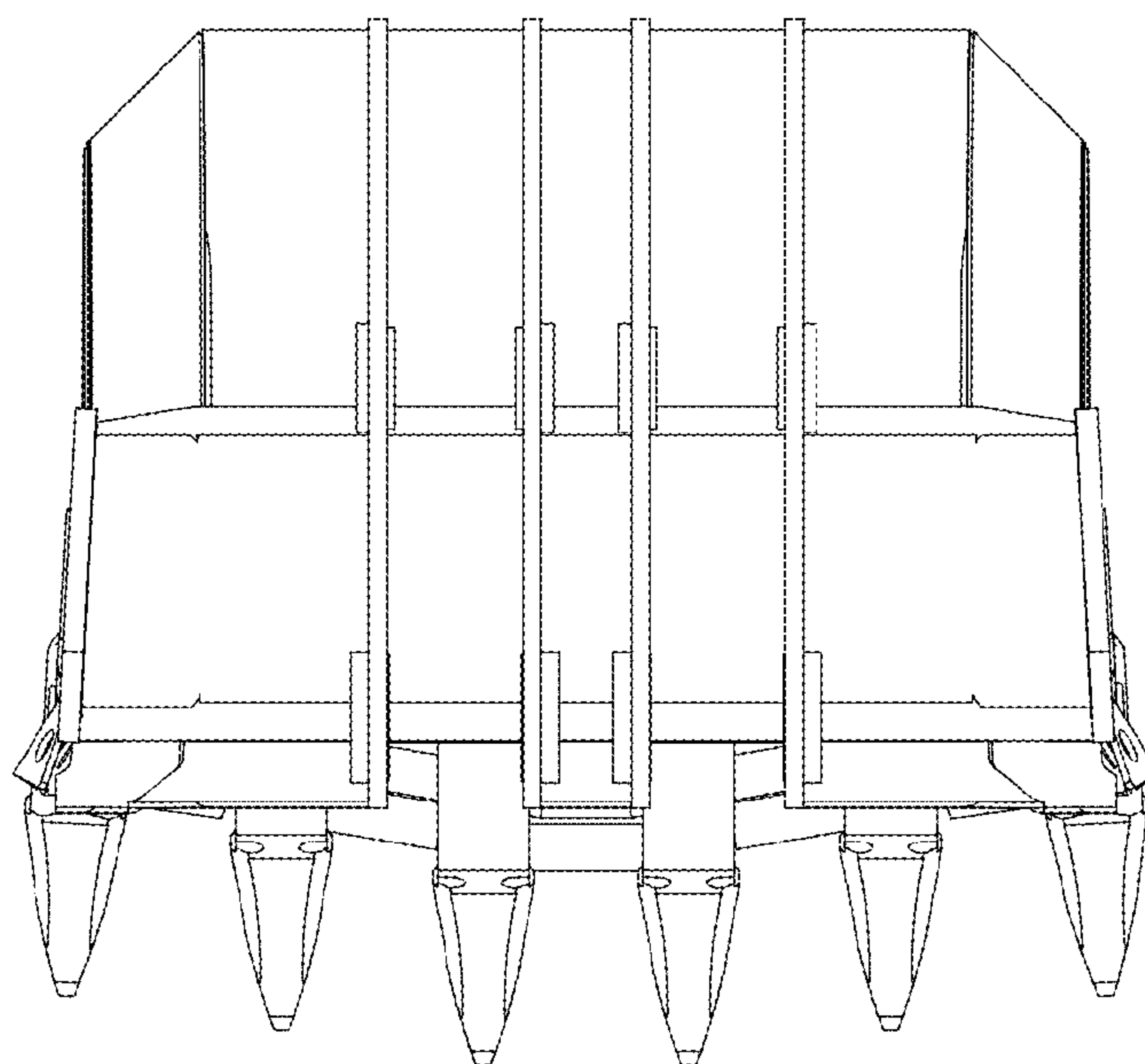


FIG. 4

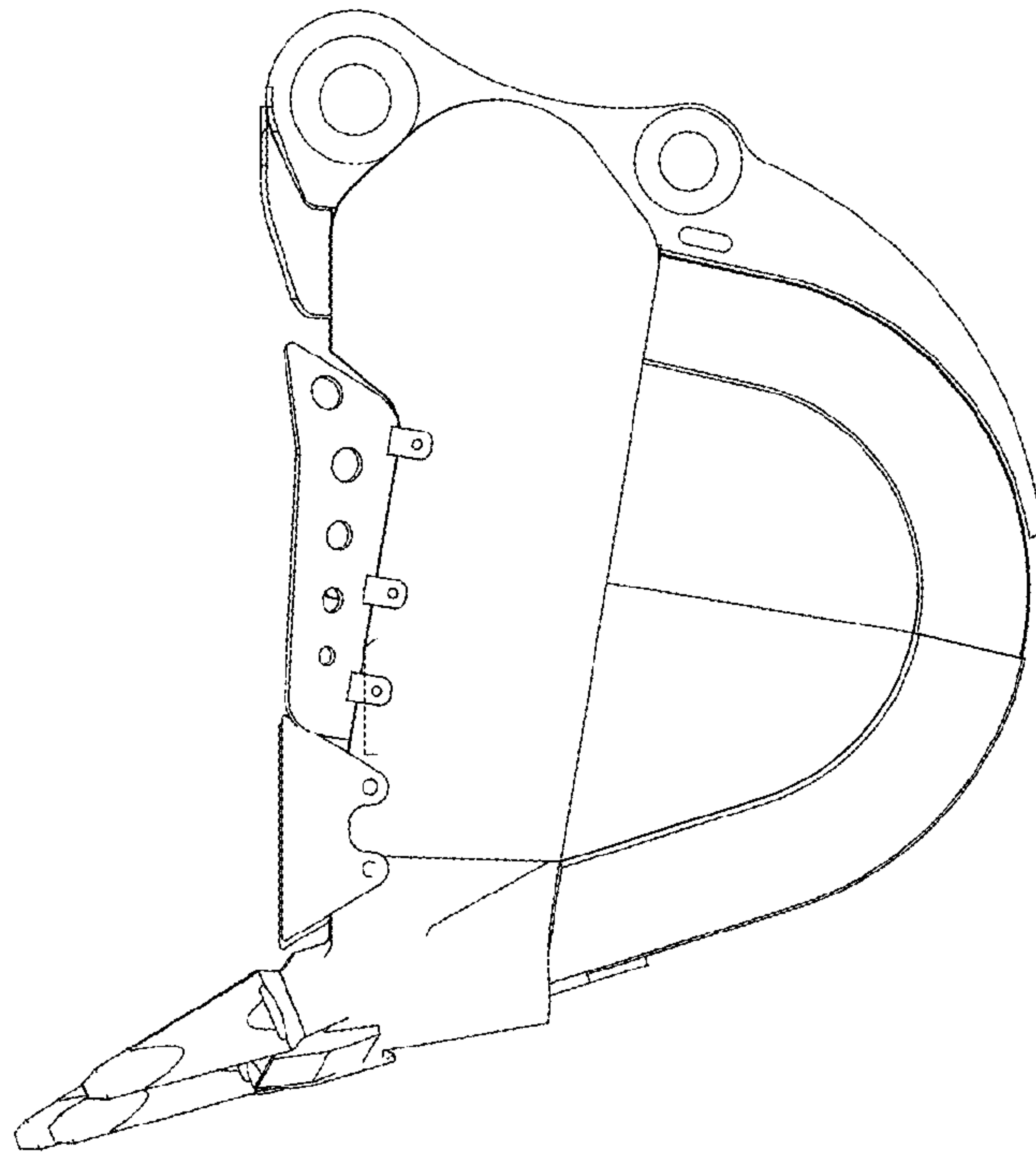


FIG. 5

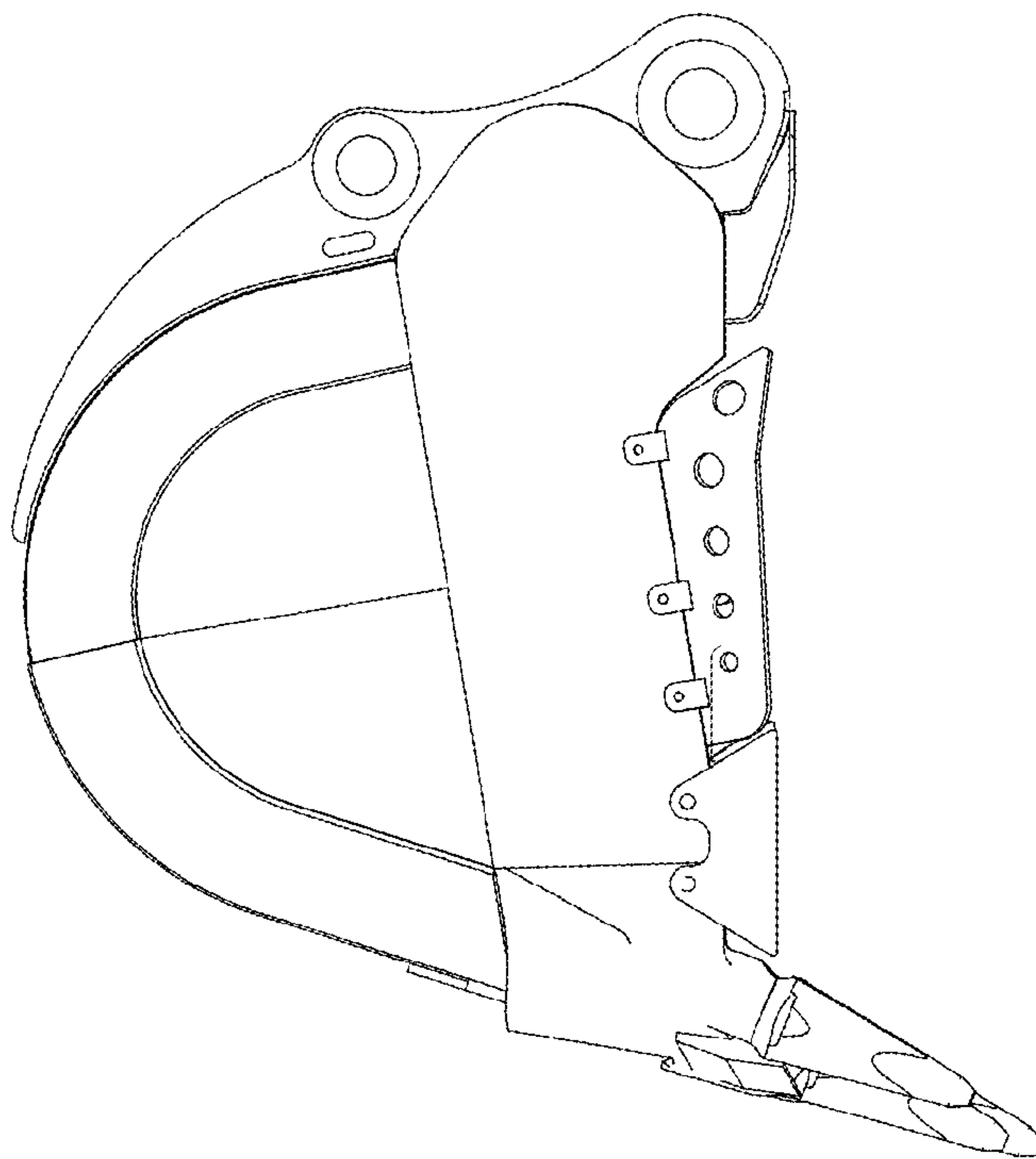


FIG. 6

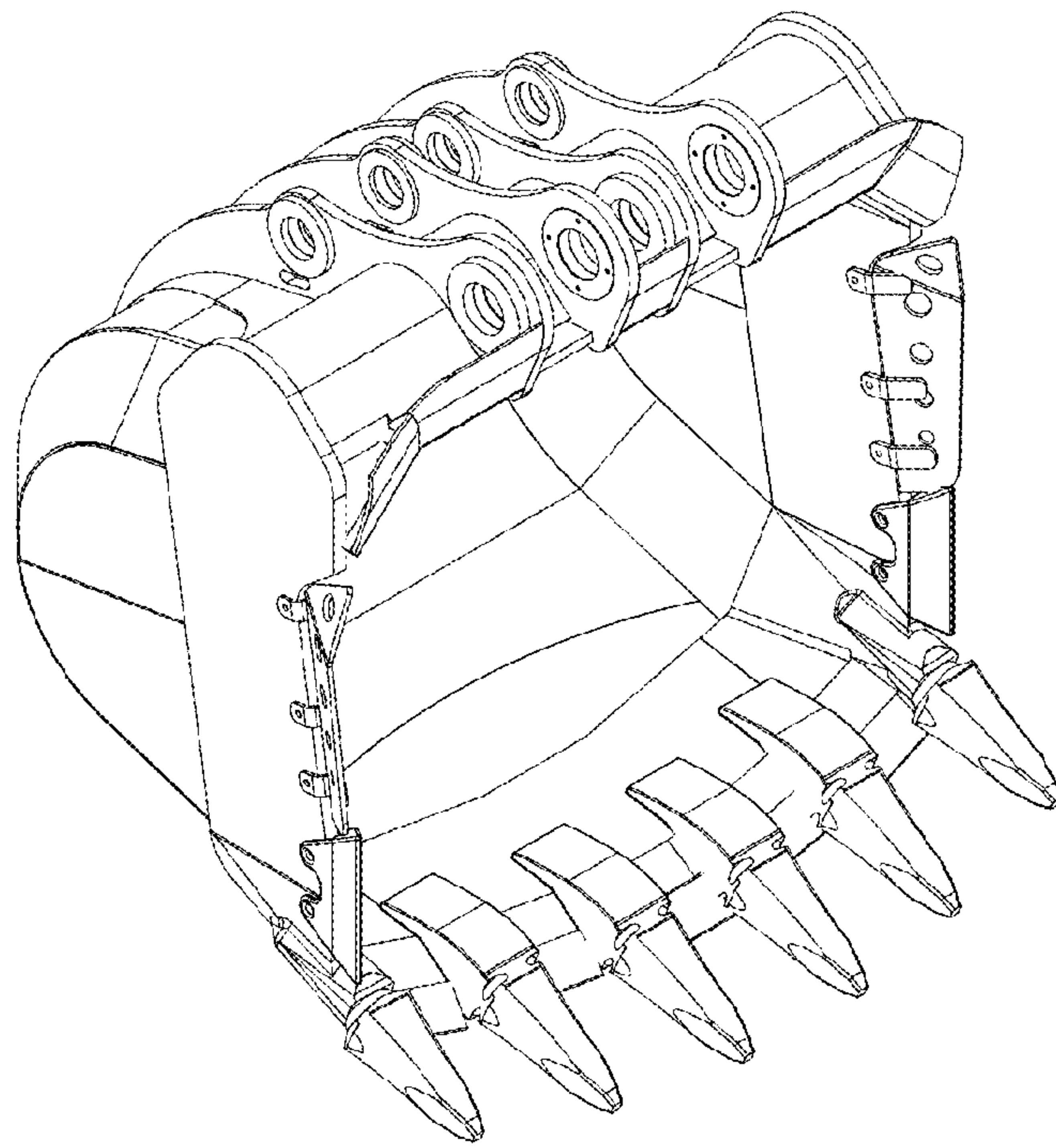


FIG. 7

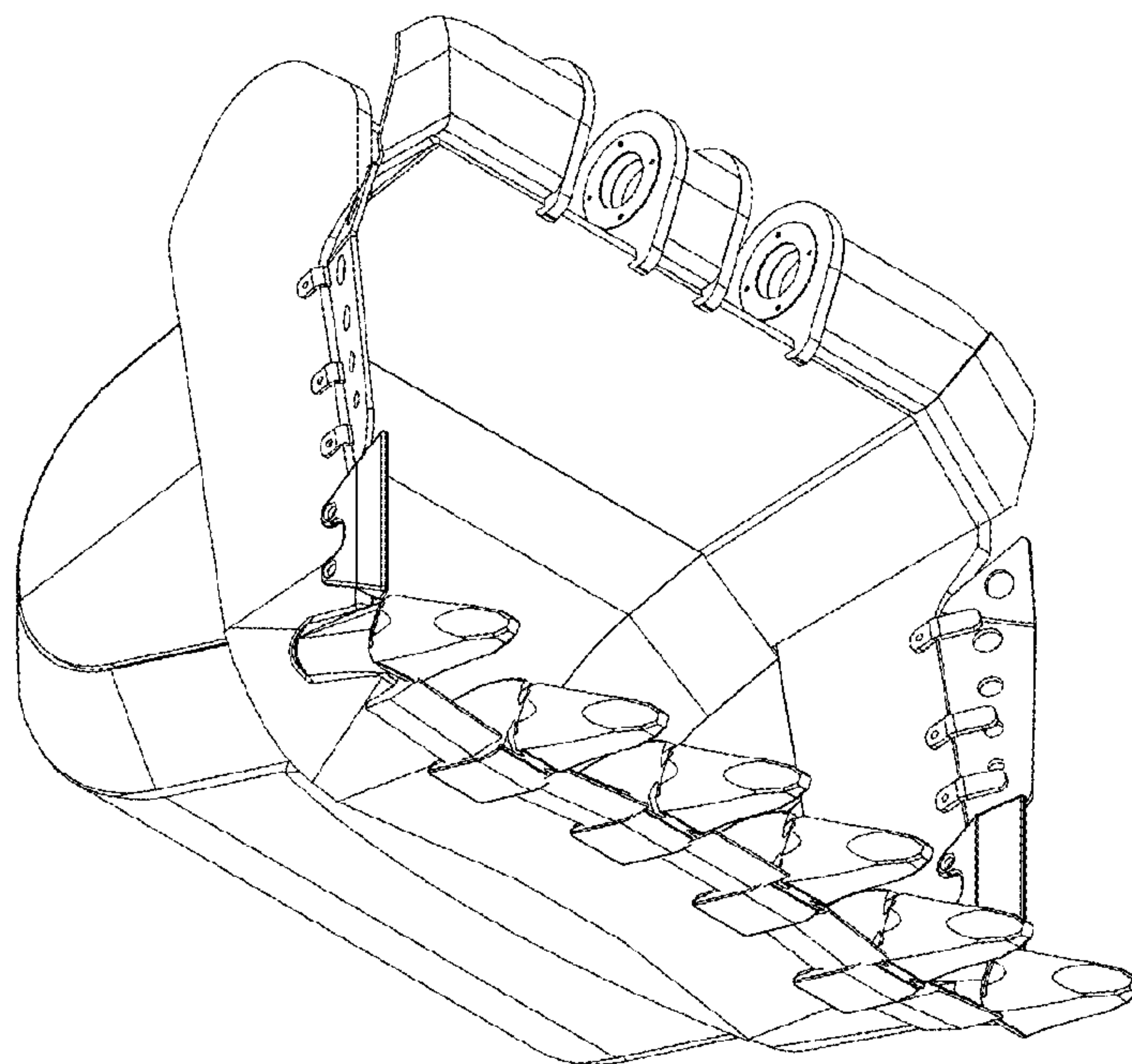


FIG. 8

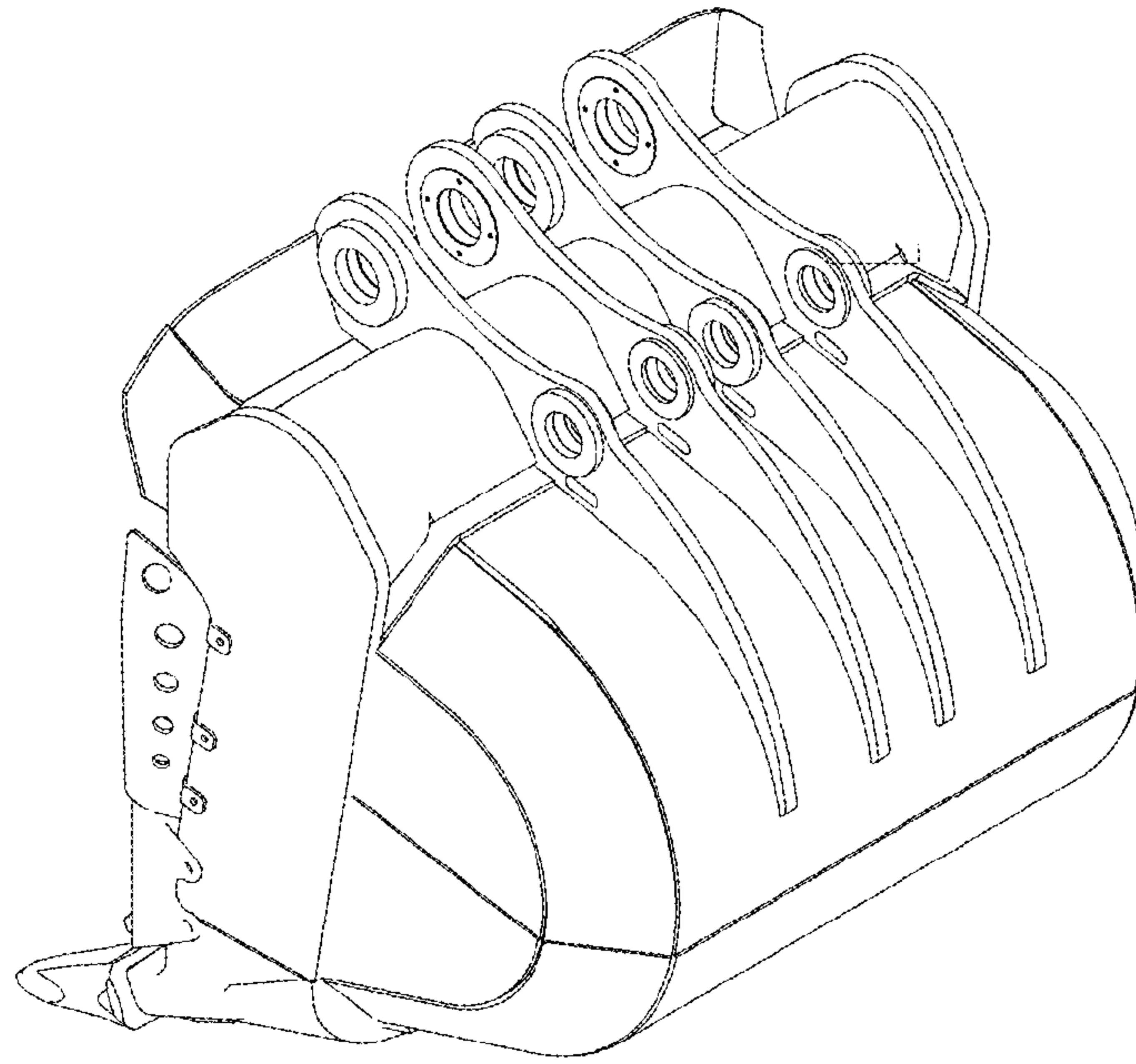


FIG. 9

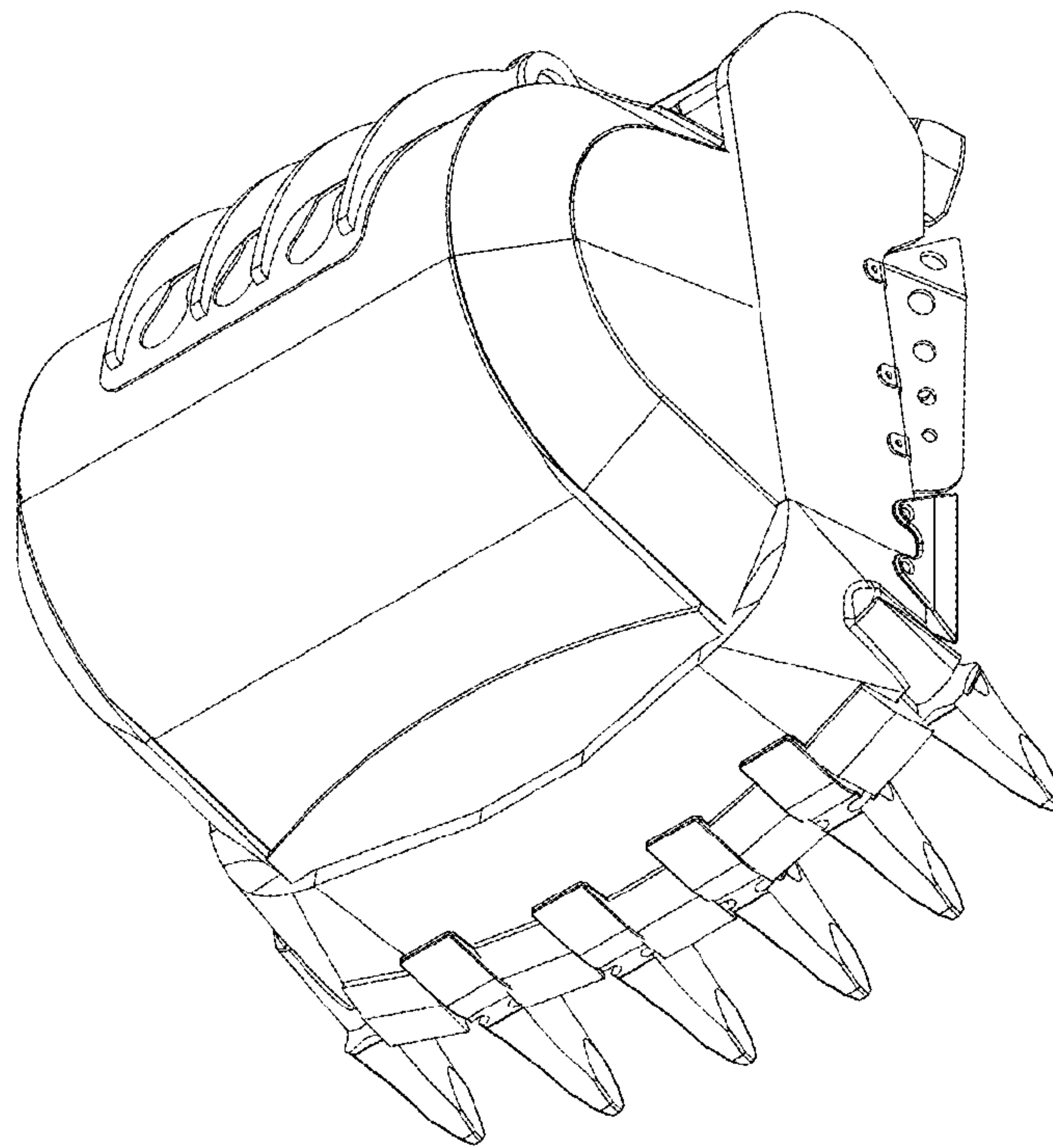


FIG. 10