

US00D766994S

(12) **United States Design Patent** (10) **Patent No.:** **US D766,994 S**
Kunz (45) **Date of Patent:** **** Sep. 20, 2016**

(54) **WING SHROUD FOR GROUND ENGAGING MACHINE IMPLEMENT**

(71) Applicant: **Caterpillar Inc.**, Peoria, IL (US)

(72) Inventor: **Phillip J. Kunz**, Morton, IL (US)

(73) Assignee: **Caterpillar Inc.**, Peoria, IL (US)

(**) Term: **14 Years**

(21) Appl. No.: **29/524,178**

(22) Filed: **Apr. 17, 2015**

(51) **LOC (10) Cl.** **15-03**

(52) **U.S. Cl.**
USPC **D15/32; D15/28**

(58) **Field of Classification Search**

USPC D15/11, 21, 28, 29, 32; 172/172, 701.2, 172/701.3, 713, 719, 772.5, 770, 771; 37/444, 446, 449, 452-456, 448, 903
CPC ... E02F 9/2833; E02F 9/2825; E02F 9/2883; E02F 9/2841; E02F 9/28; E02F 3/40; E21C 35/183; Y10Y 403/7069; Y10Y 403/7018; Y10Y 403/587

See application file for complete search history.

(56) **References Cited**

U.S. PATENT DOCUMENTS

D242,162 S	11/1976	Dahlberg et al.	
D242,274 S	11/1976	Dahlberg et al.	
4,047,312 A	9/1977	Stepe	
D246,176 S	10/1977	Dahlberg et al.	
5,088,214 A	2/1992	Jones	
D378,006 S *	2/1997	Clendenning	D32/54
D381,484 S *	7/1997	Clendenning	D32/54
6,457,269 B1 *	10/2002	Esterhuysen	E02F 9/285 172/713
6,799,388 B2	10/2004	Weaver et al.	
6,993,861 B2 *	2/2006	Carpenter	E02F 9/28 172/753
7,266,914 B2 *	9/2007	Grant	E02F 3/40 37/444
D554,157 S *	10/2007	Renski	D15/28

(Continued)

FOREIGN PATENT DOCUMENTS

WO WO 2007/016719 A1 2/2007
WO WO 2013/067585 A1 5/2013

OTHER PUBLICATIONS

U.S. Appl. No. 29/500,711, filed Aug. 27, 2014. (Unpublished).
(Continued)

Primary Examiner — Mark Goodwin

(74) *Attorney, Agent, or Firm* — Saidman DesignLaw Group, LLC

(57) **CLAIM**

The ornamental design for a wing shroud for ground engaging machine implement, as shown and described.

DESCRIPTION

FIG. 1 is a front perspective view of a wing shroud for ground engaging machine implement showing my new design;

FIG. 2 is another front perspective view thereof;

FIG. 3 is front view thereof;

FIG. 4 is a rear view thereof;

FIG. 5 is a left side view thereof;

FIG. 6 is a right side view thereof;

FIG. 7 is a top view thereof;

FIG. 8 is a bottom view thereof;

FIG. 9 is a front perspective view of a second embodiment thereof;

FIG. 10 is another front perspective view thereof;

FIG. 11 is front view thereof;

FIG. 12 is a rear view thereof;

FIG. 13 is a left side view thereof;

FIG. 14 is a right side view thereof;

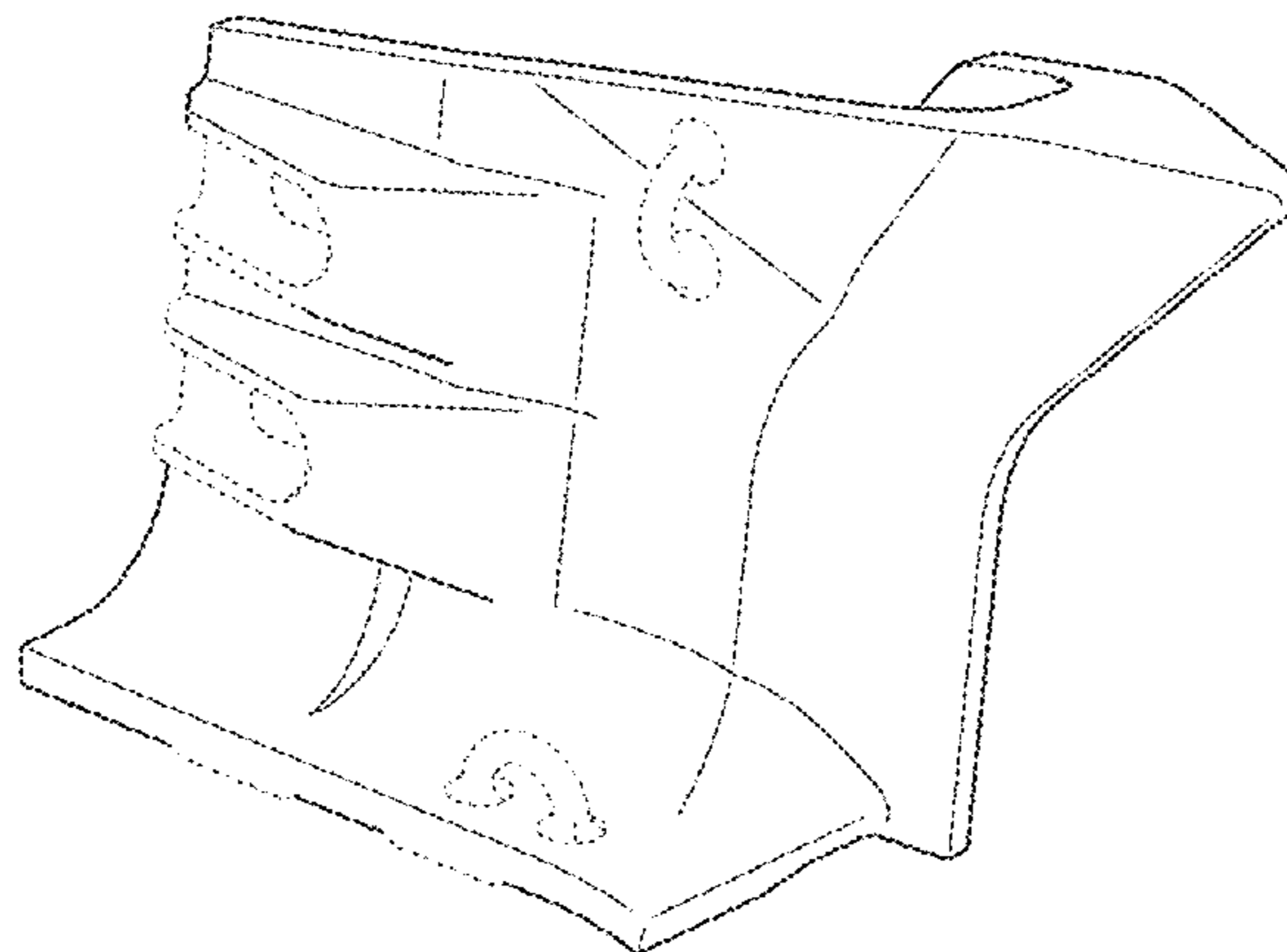
FIG. 15 is a top view thereof; and,

FIG. 16 is a bottom view thereof.

The dashed broken lines illustrate structure or features that form no part of the claimed design.

The relatively thin shade lines represent contour, not surface ornamentation.

1 Claim, 8 Drawing Sheets



(56)

References Cited

U.S. PATENT DOCUMENTS

7,275,338 B2 * 10/2007 LaHood E02F 9/2283
37/449

D567,825 S 4/2008 Clendenning et al.
D567,826 S 4/2008 Clendenning et al.
7,367,144 B2 * 5/2008 Jones E02F 9/28
172/772.5

D643,049 S * 8/2011 Nickels D15/28
D676,066 S 2/2013 Attwood et al.
D676,067 S 2/2013 Attwood et al.
8,572,870 B2 11/2013 Kudo et al.
D741,918 S * 10/2015 Hooijmans D15/28
D751,610 S * 3/2016 Serrurier D15/28
2003/0024139 A1 * 2/2003 Jones E02F 9/28
37/456

2006/0117613 A1 * 6/2006 Jones E02F 9/28
37/456

2012/0297649 A1 11/2012 Gomar
2013/0185964 A1 7/2013 Anisy et al.

2013/0318840 A1 12/2013 Ollinger, IV et al.
2014/0082976 A1 3/2014 Vicq et al.
2014/0082977 A1 3/2014 Pilon
2014/0173949 A1 * 6/2014 Karlsson E02F 9/2825
37/455

2015/0211215 A1 * 7/2015 Dallard E02F 3/40
37/448

2015/0247306 A1 * 9/2015 Kunz E02F 9/2891
37/455

OTHER PUBLICATIONS

U.S. Appl. No. 29/500,710, filed Aug. 27, 2014. (Unpublished).
U.S. Appl. No. 29/524,183, filed Apr. 17, 2015. (Unpublished).
U.S. Appl. No. 29/524,172, filed Apr. 17, 2015. (Unpublished).
U.S. Appl. No. 62/148,992, filed Apr. 17, 2015. (Unpublished).
U.S. Appl. No. 62/149,077, filed Apr. 17, 2015. (Unpublished).
U.S. Appl. No. 62/149,161, filed Apr. 17, 2015. (Unpublished).
U.S. Appl. No. 62/149,229, filed Apr. 17, 2015. (Unpublished).

* cited by examiner

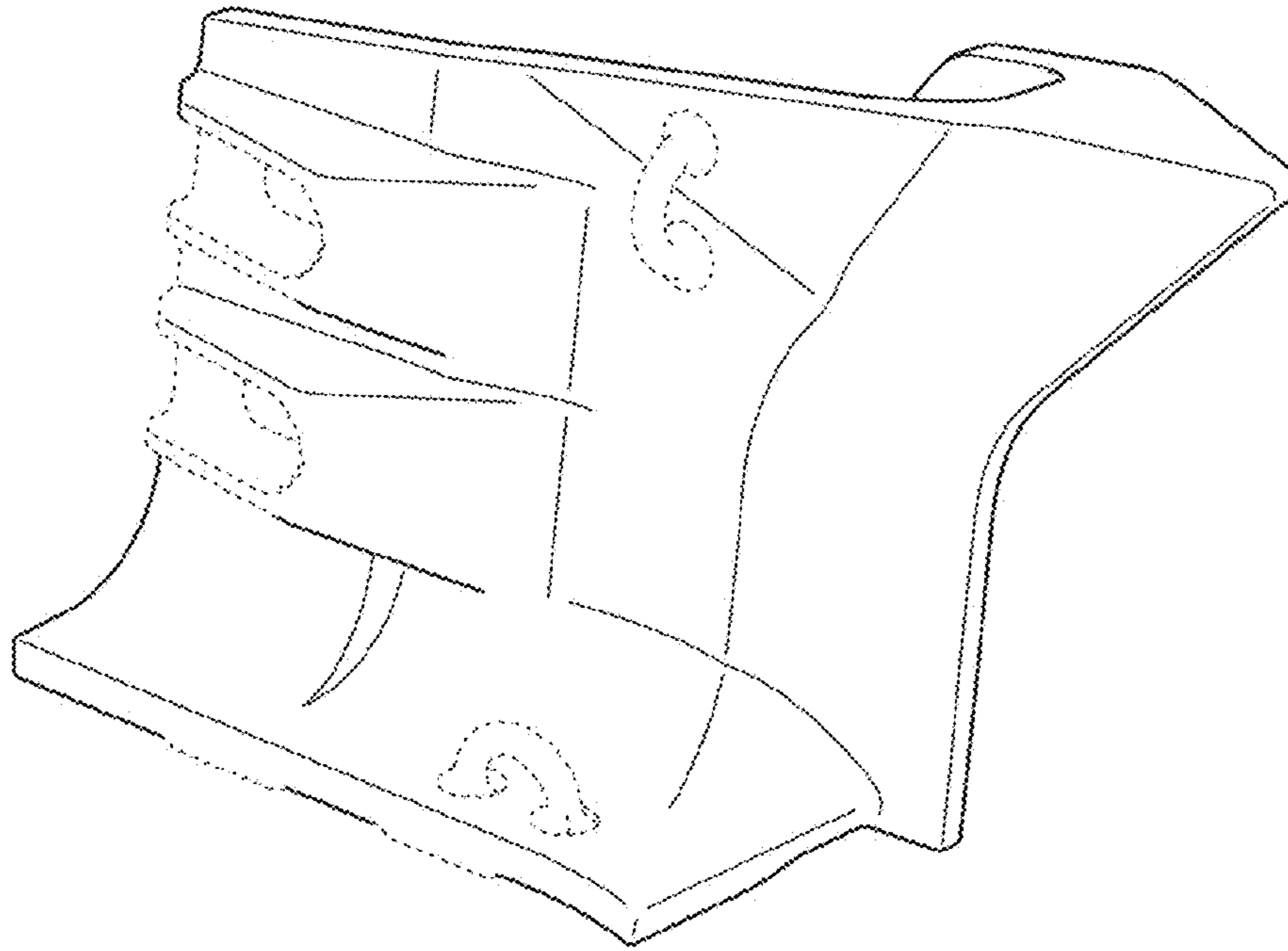


Fig. 1

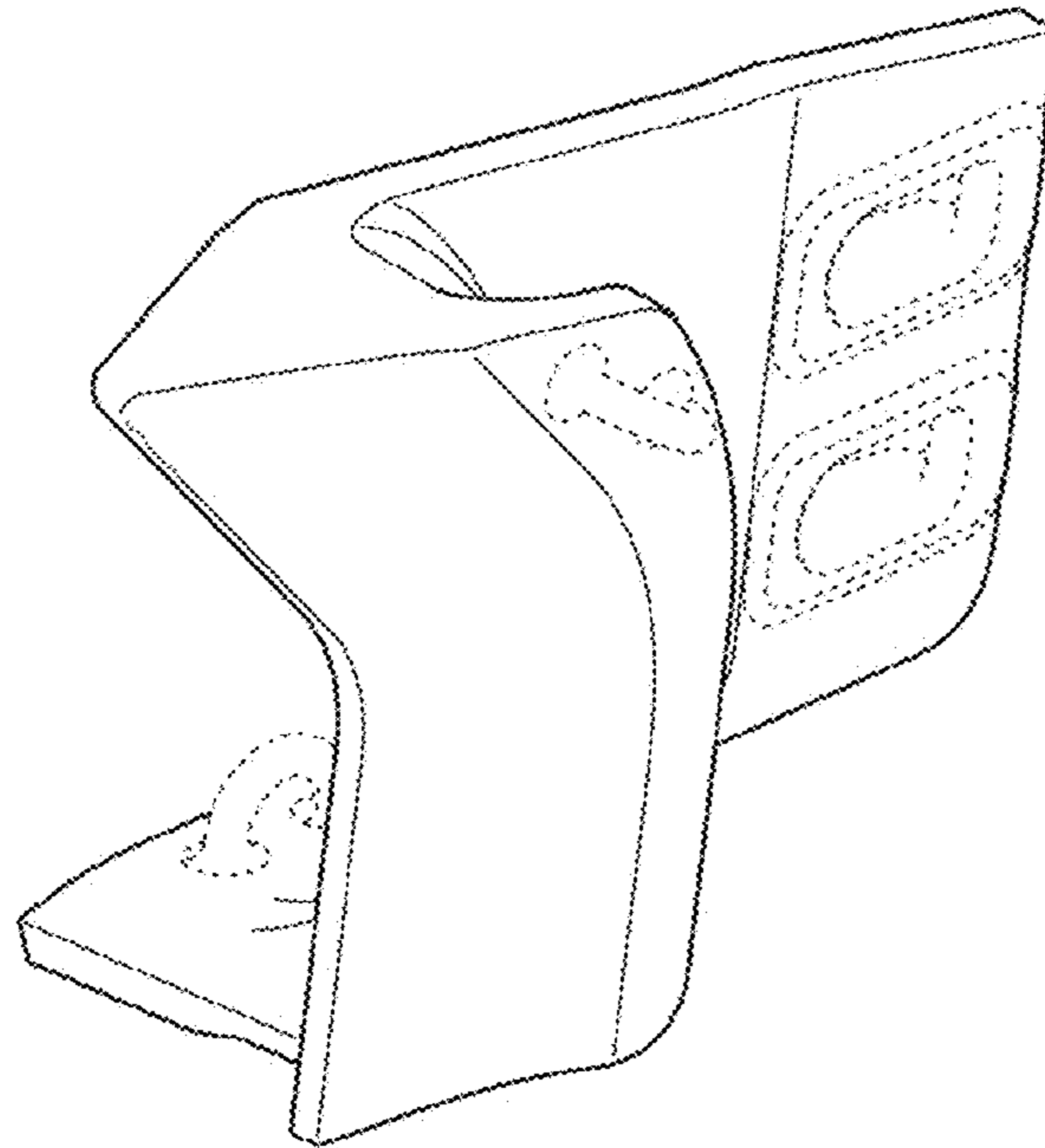


Fig. 2

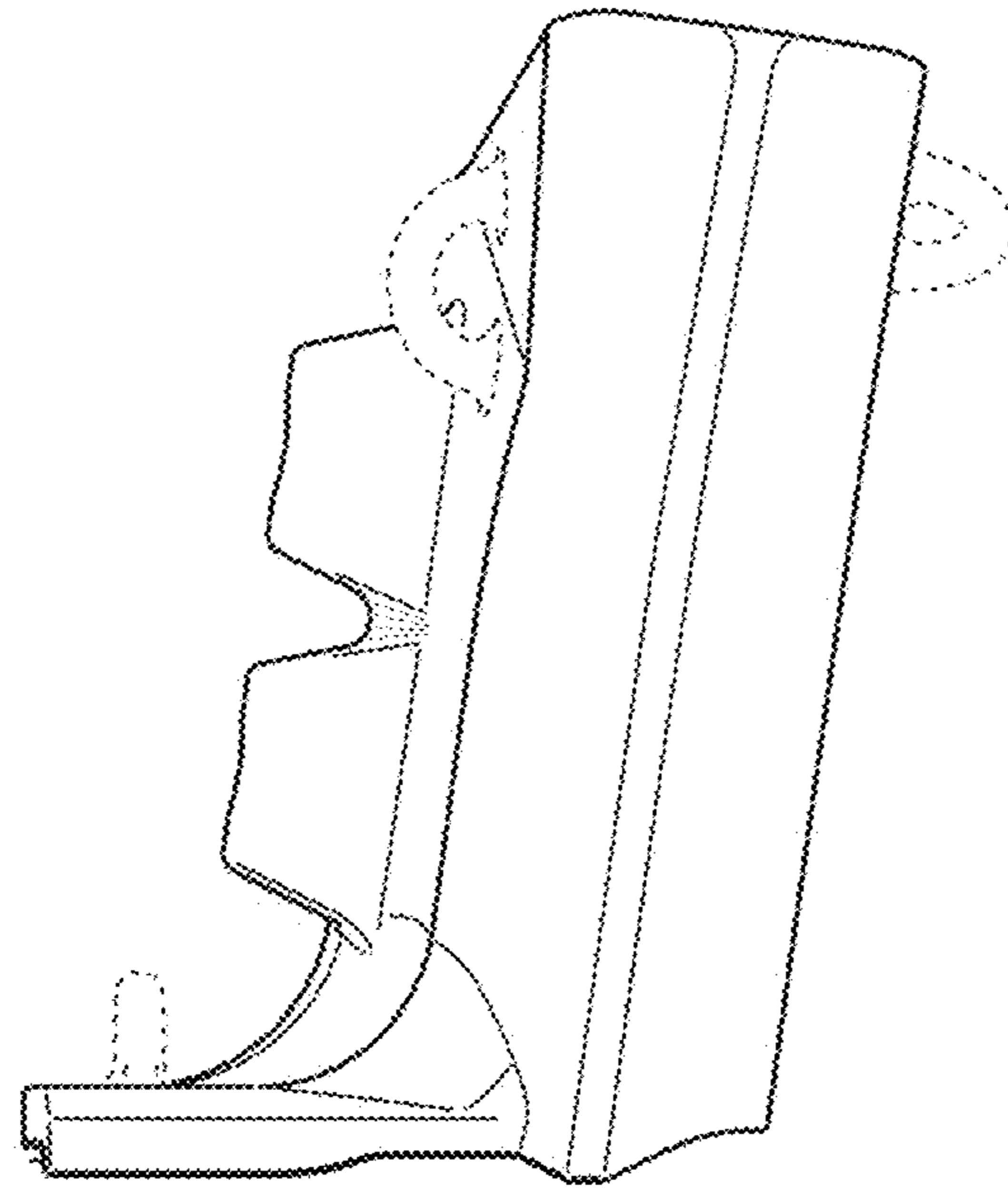


Fig. 3

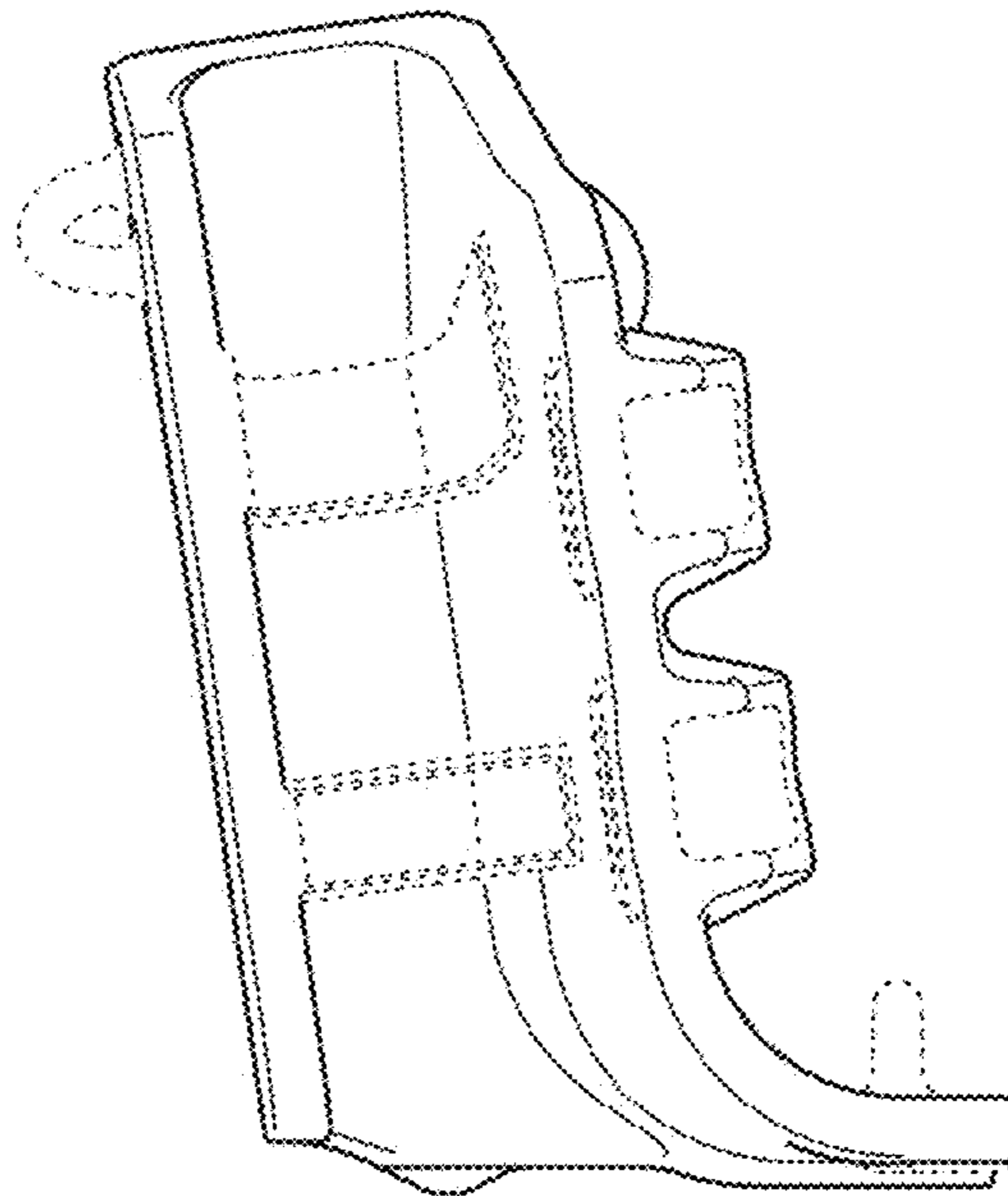


Fig. 4

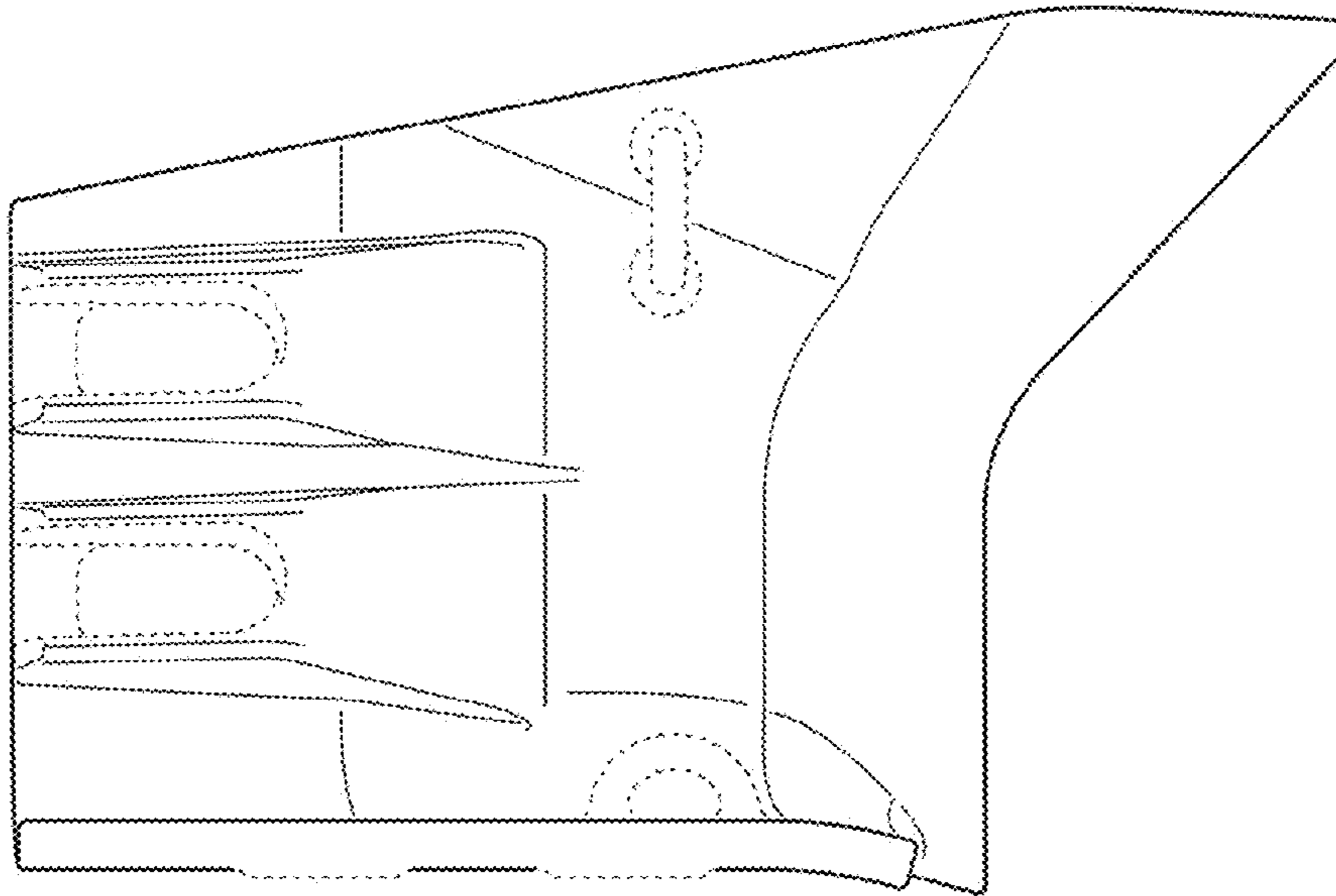


Fig. 5

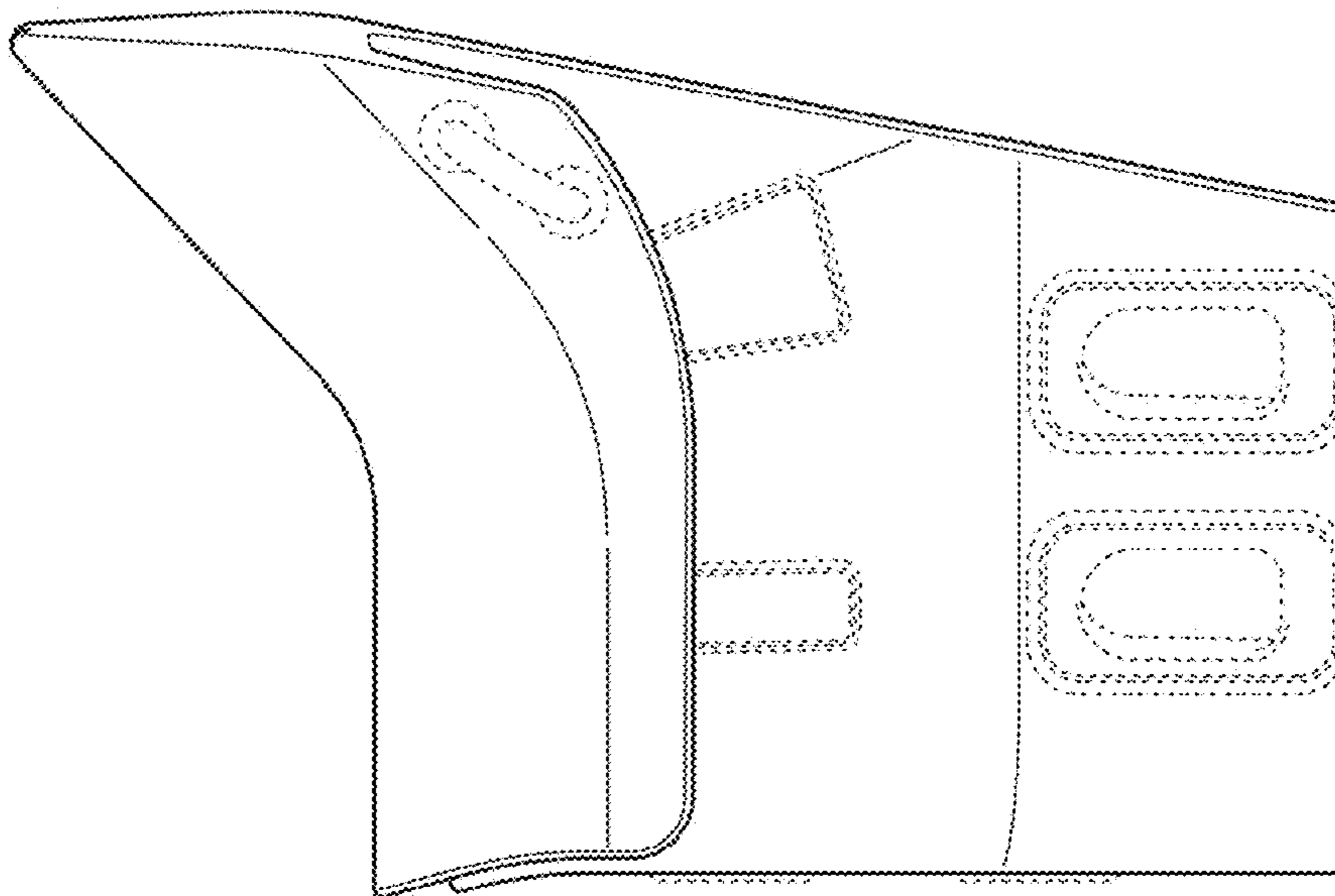


Fig. 6

Fig. 7

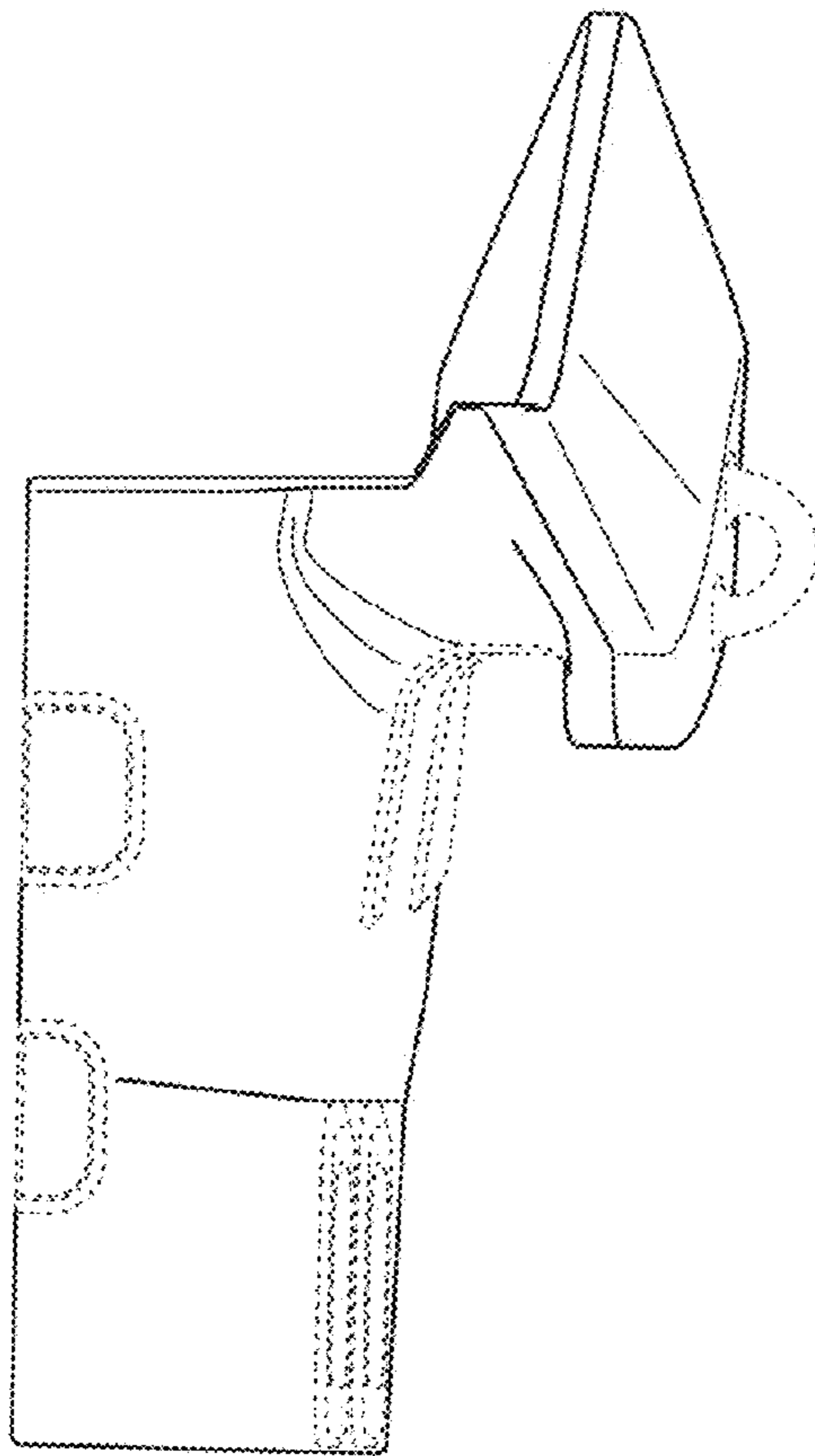
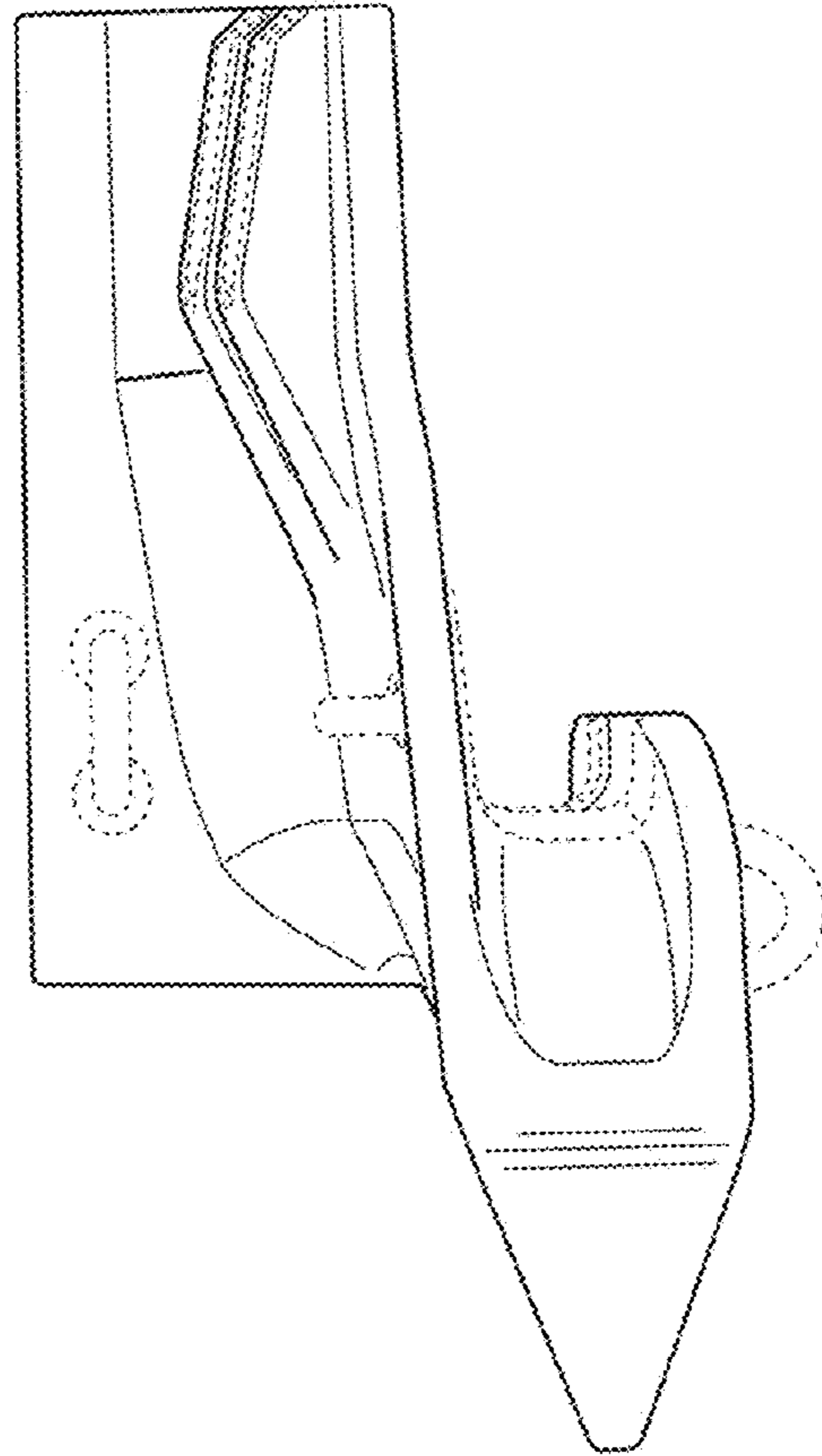


Fig. 8

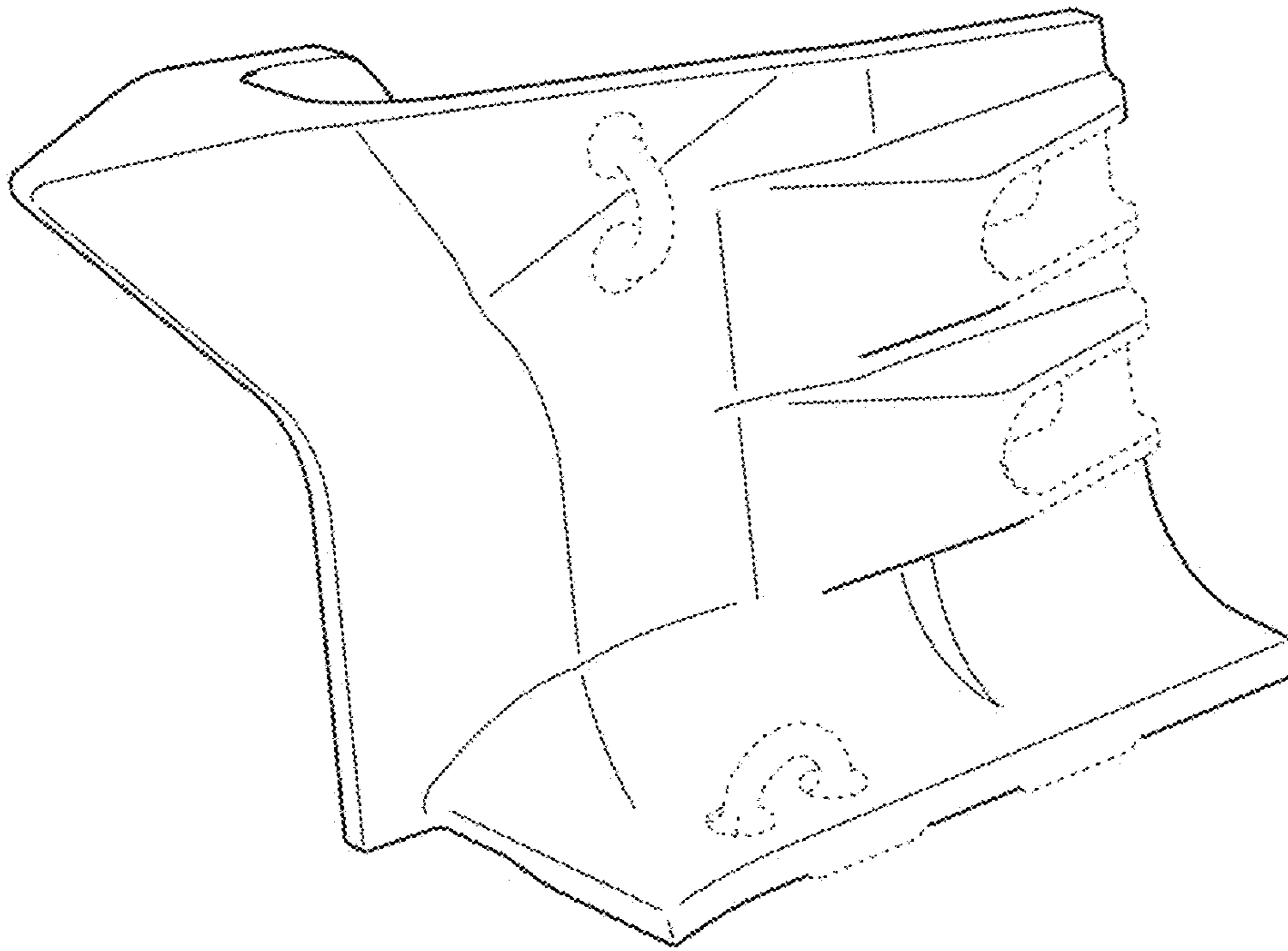


Fig. 9

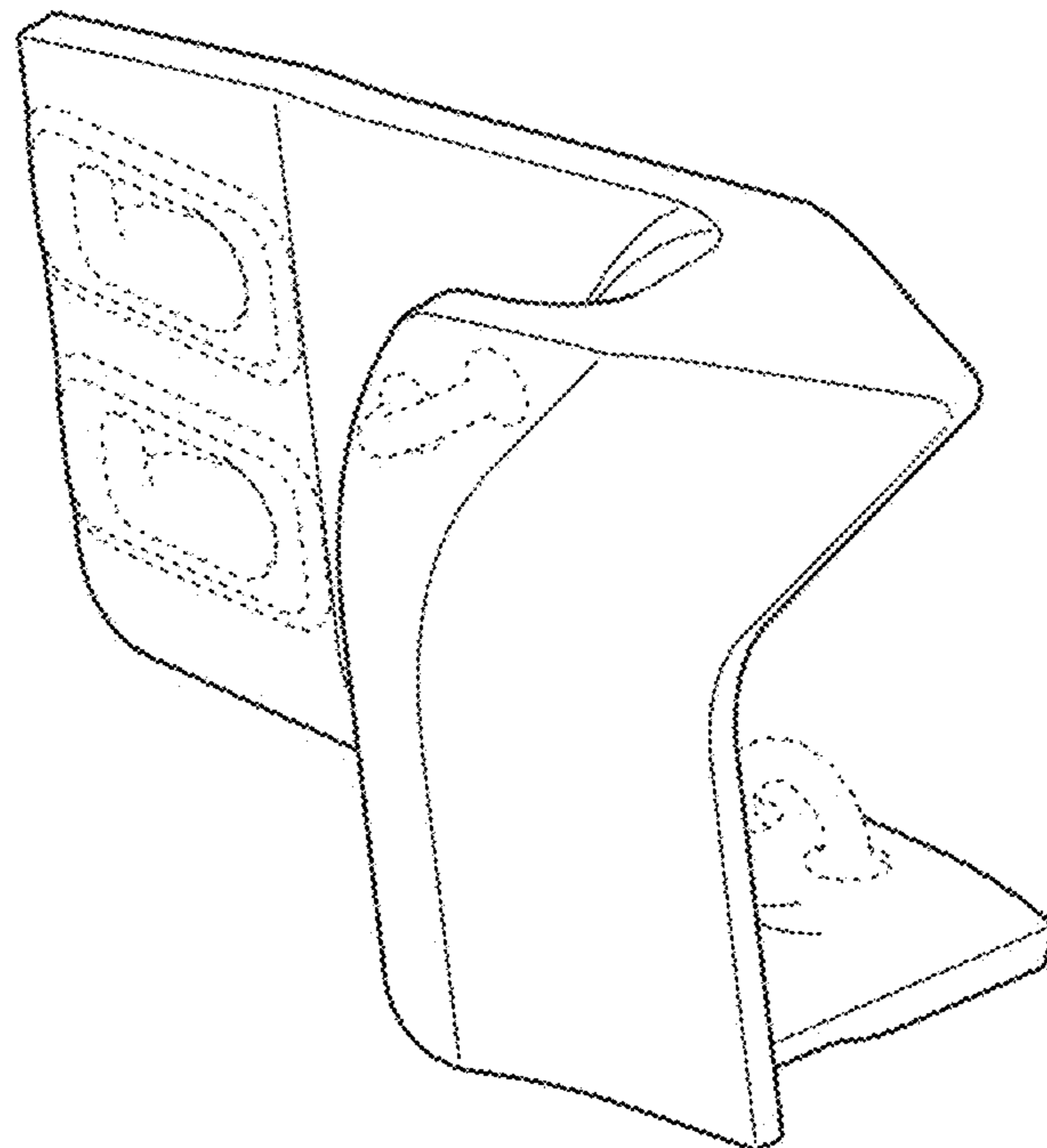


Fig. 10

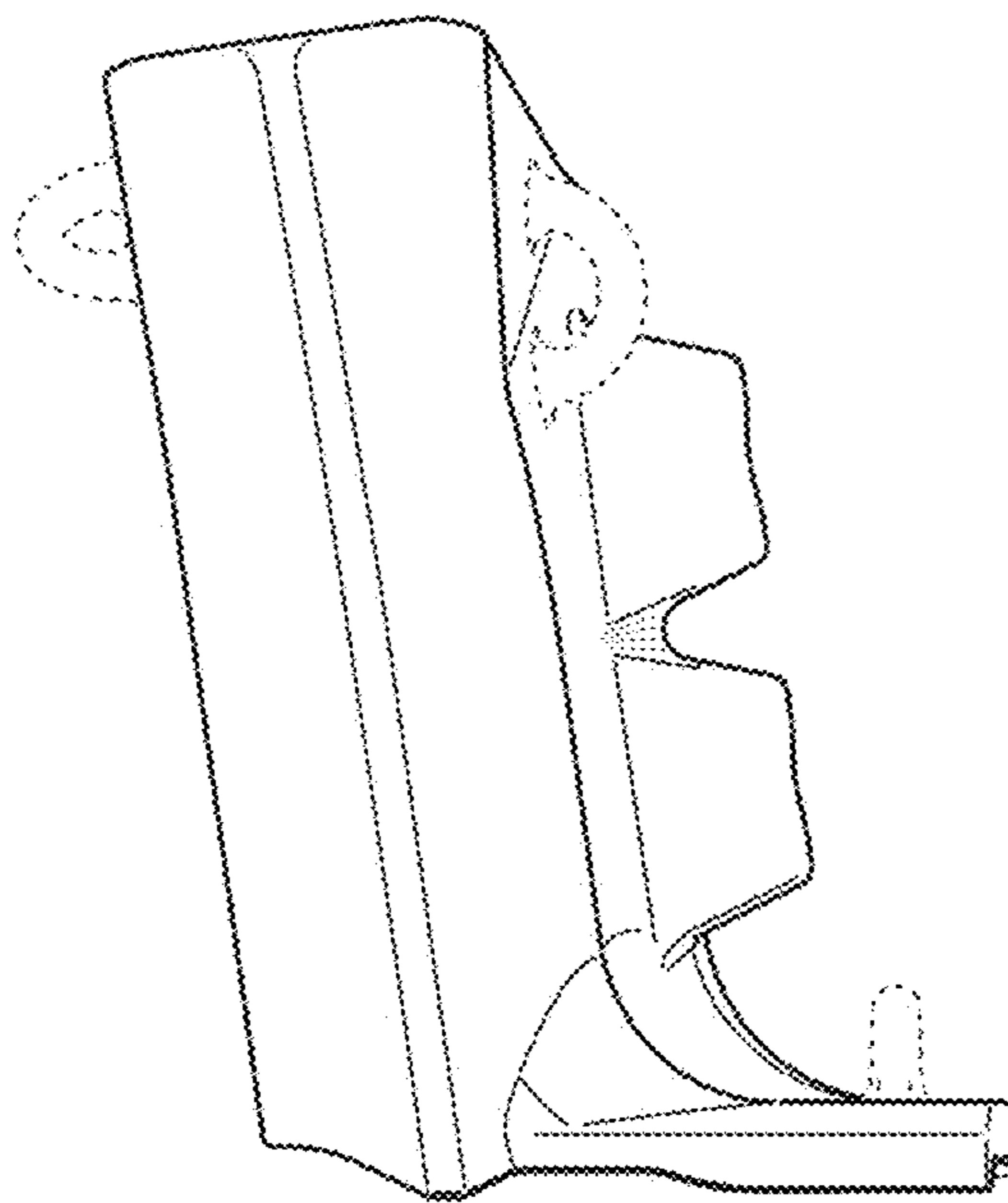


Fig. 11

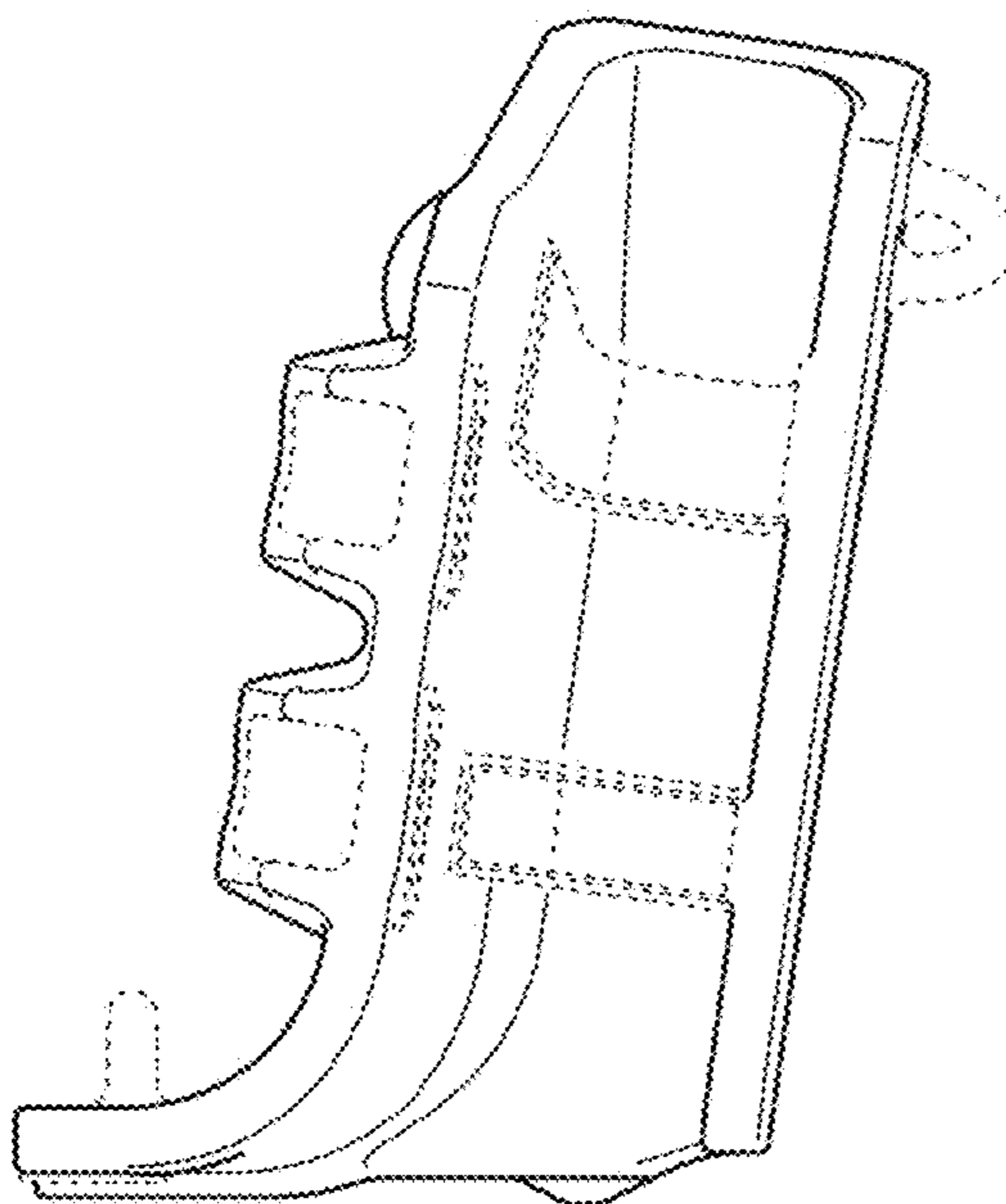


Fig. 12

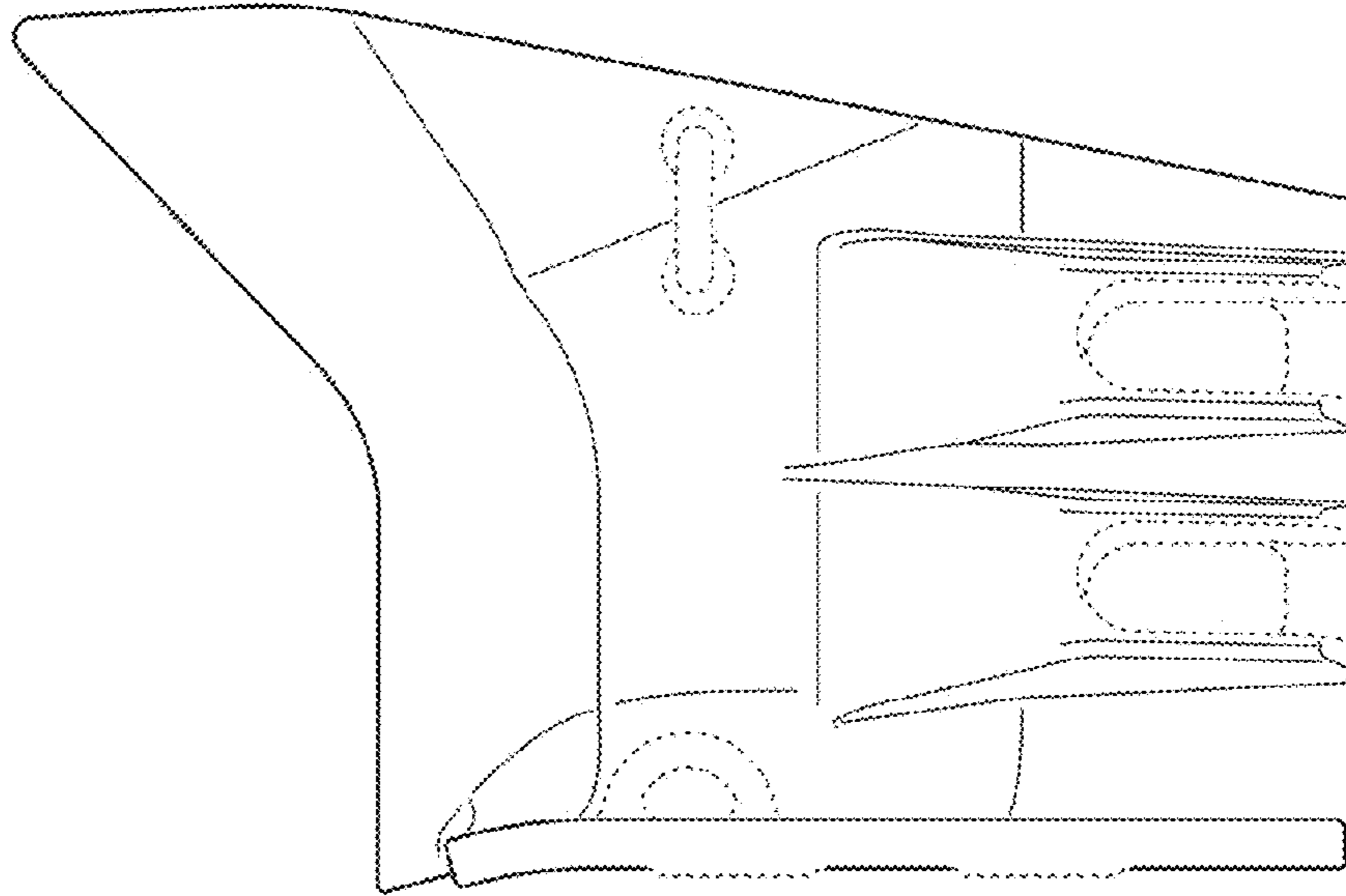


Fig. 13

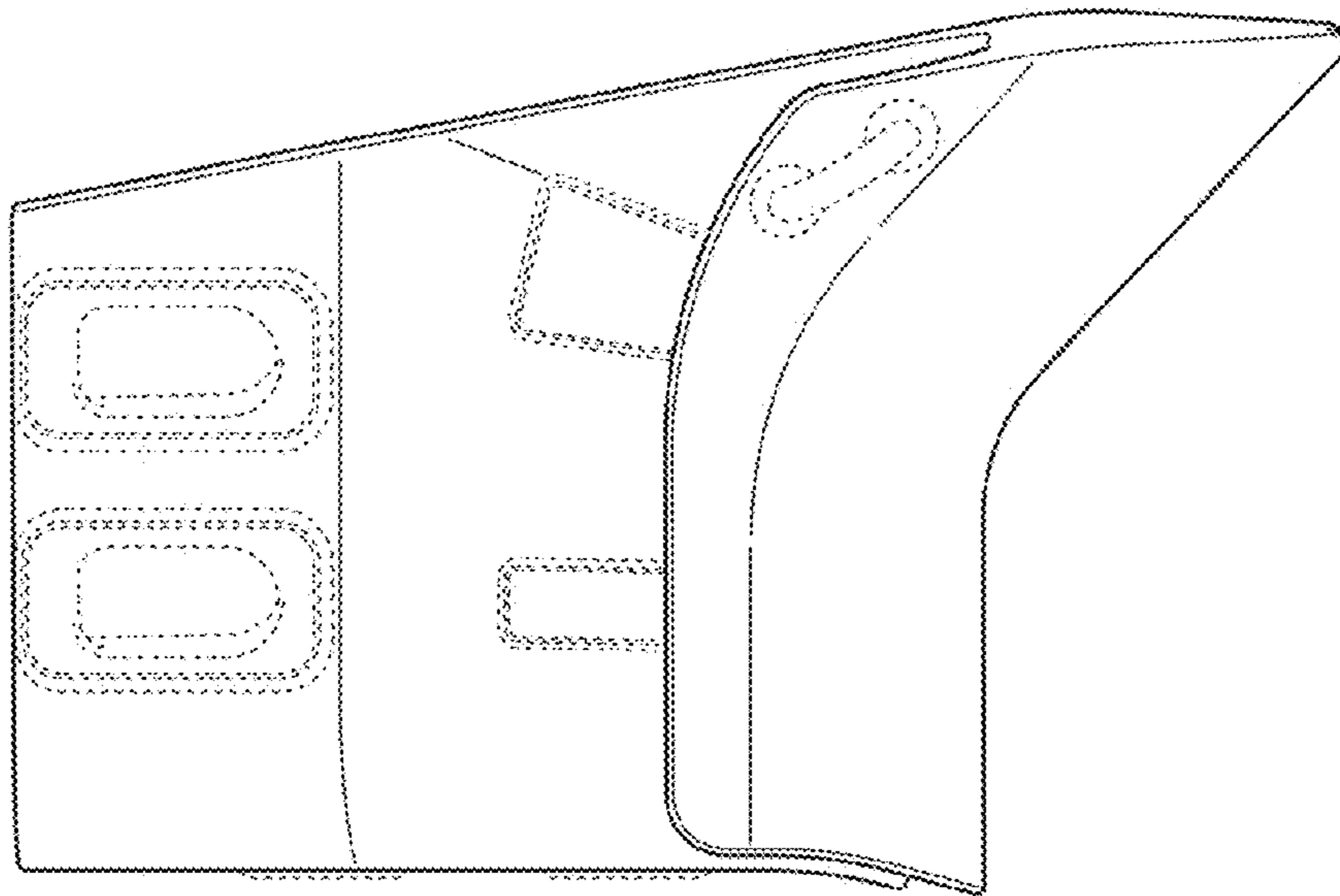


Fig. 14

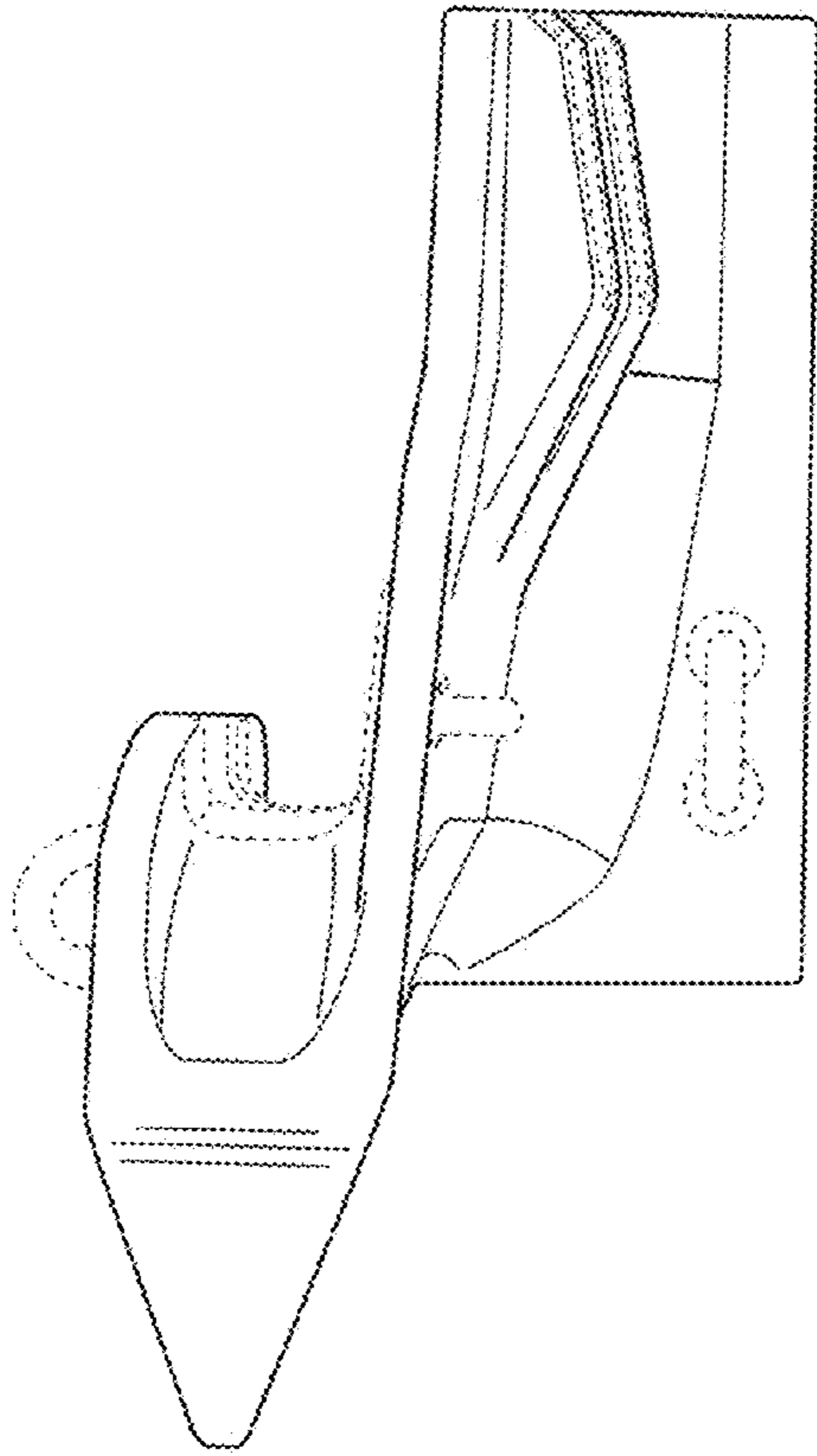


Fig. 15

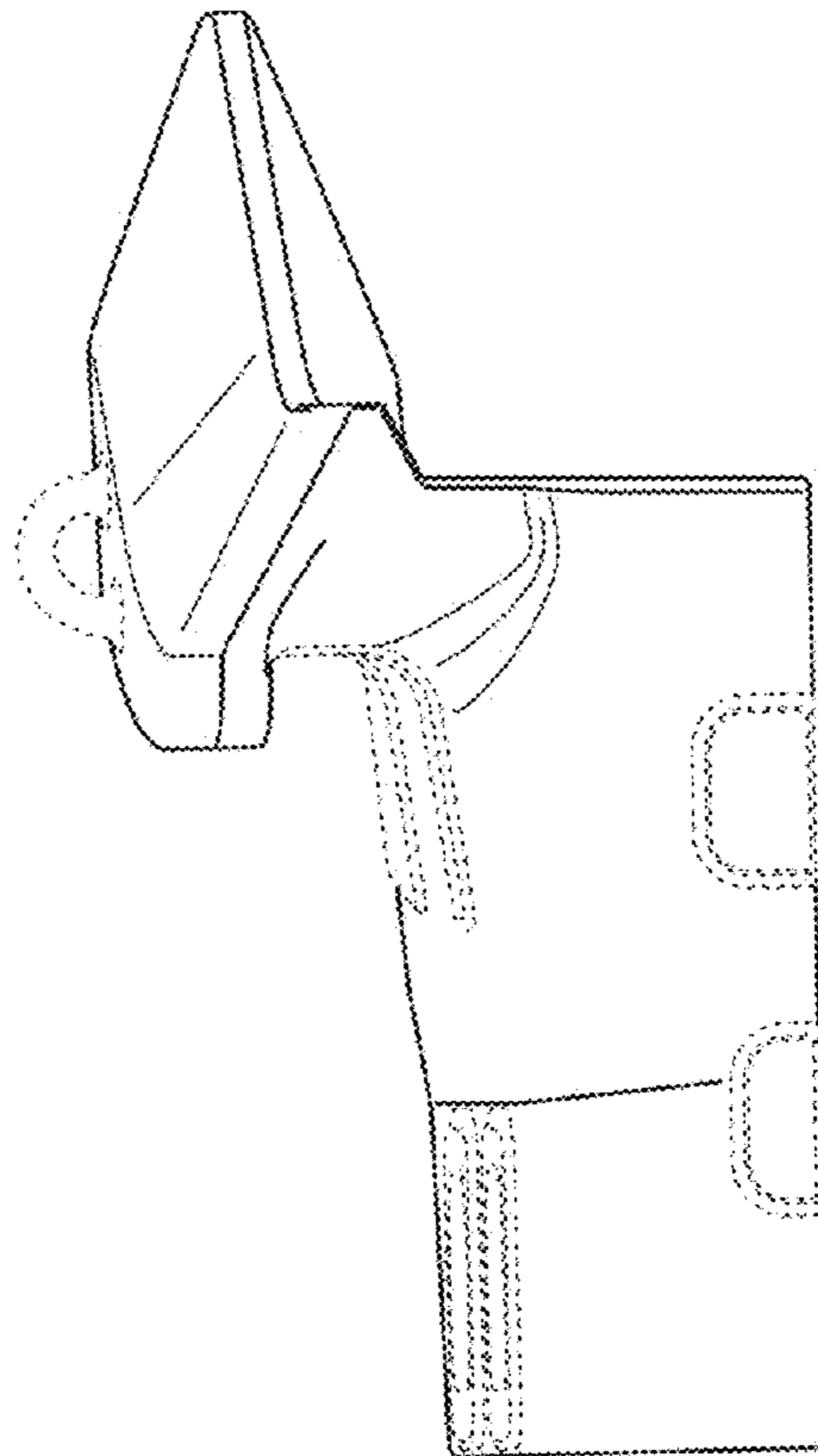


Fig. 16