



US00D766993S

(12) **United States Design Patent** (10) **Patent No.:** **US D766,993 S**
Jacobsthal et al. (45) **Date of Patent:** **** Sep. 20, 2016**

(54) **HARVESTER**
(71) Applicant: **CNH Industrial America LLC**, New Holland, PA (US)
(72) Inventors: **Eric M. Jacobsthal**, Elmhurst, IL (US); **Jesse W. Gonzales**, Falls Church, VA (US); **Dwayne St. George Jackson**, Plainfield, IL (US); **Jonathan Eziquiel-Shriro**, Chicago, IL (US); **Daniel H. A. M. Le Nevé**, Challans (FR); **Darin Weisensel**, Racine, WI (US)
(73) Assignee: **CNH Industrial America LLC**, New Holland, PA (US)
(**) Term: **14 Years**

D568,342 S * 5/2008 Kleingraeber D15/26
D599,830 S * 9/2009 Jacobsthal D15/26
D619,627 S * 7/2010 Budde D15/28
D639,826 S * 6/2011 Barrelmeyer D15/26
D659,722 S * 5/2012 Blind D15/30
D660,881 S * 5/2012 Bohme D15/30
D667,851 S * 9/2012 Warr D15/30
D670,744 S * 11/2012 Ewringmann D15/30
D670,745 S * 11/2012 Warr D15/30
D674,410 S * 1/2013 Blind D15/30
D674,411 S * 1/2013 Masumoto D15/30
D686,643 S * 7/2013 Kinoshita D15/30
D705,276 S * 5/2014 Furuki D15/30
D714,837 S * 10/2014 Jacobsthal D15/30
D720,370 S * 12/2014 Carter D15/30
D728,631 S * 5/2015 Richard D15/25
D734,369 S * 7/2015 Miller D15/30
D743,449 S * 11/2015 Okuyama D15/23
D743,450 S * 11/2015 Claeys D15/33
D748,156 S * 1/2016 Koponen D15/30
D748,677 S * 2/2016 Kushita D15/26

(21) Appl. No.: **29/525,084**
(22) Filed: **Apr. 27, 2015**
(51) **LOC (10) Cl.** **15-03**
(52) **U.S. Cl.**
USPC **D15/30**
(58) **Field of Classification Search**
USPC D15/10, 11, 13-17, 28, 22-26, 31, 30;
D12/173; 180/69.21, 89.1, 89.12, 900,
180/69.2, 68.1, 69.1; 56/13.3, 13.4, 15.8,
56/15.9, 320.1
CPC B62D 25/10; B62D 25/00; B62D
49/00-49/085; B60R 19/52; B60R 21/38;
B60K 13/02; B60K 11/08; B60K 11/04;
F01P 11/10; F01P 5/06; F01P 2001/005;
B60Y 2200/221
See application file for complete search history.

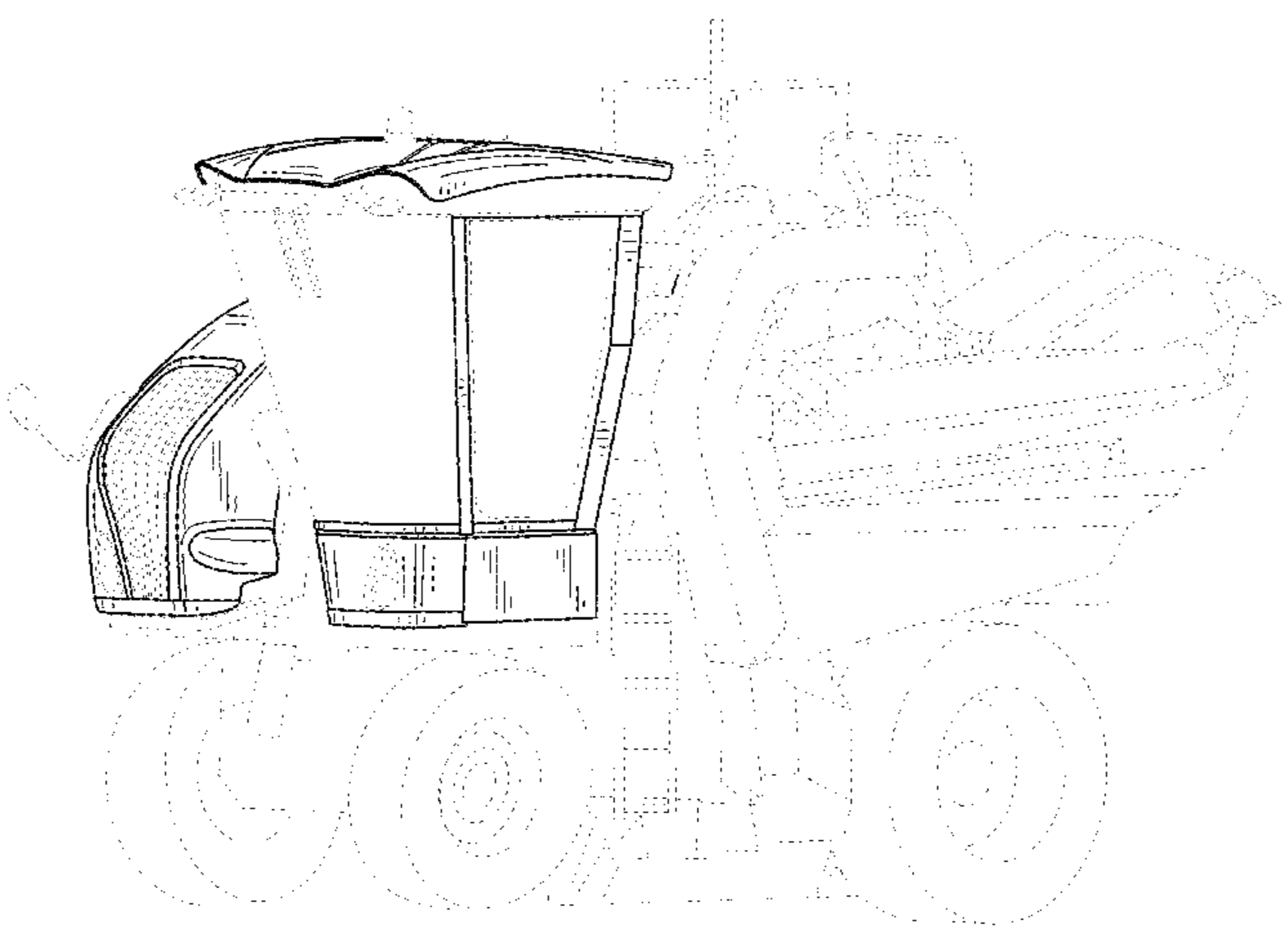
* cited by examiner
Primary Examiner — Mark Goodwin
(74) *Attorney, Agent, or Firm* — Patrick M. Sheldrake

(56) **References Cited**
U.S. PATENT DOCUMENTS
D248,953 S * 8/1978 Aho D15/26
D253,057 S * 10/1979 Fachini D15/26
5,911,624 A * 6/1999 Stauffer B60H 1/00378
454/158

(57) **CLAIM**
We claim the ornamental design for the harvester, as shown and described.

DESCRIPTION
FIG. 1 is a side perspective view of a harvester showing an embodiment of our new design;
FIG. 2 is a side view thereof;
FIG. 3 is an opposite side view thereof;
FIG. 4 is a front view thereof;
FIG. 5 is a rear view thereof;
FIG. 6 is a top view thereof; and,
FIG. 7 is a bottom view thereof.
Only the shapes and portions bounded by solid lines form the claimed design. The elements depicted in dashed lines are shown for illustrative purpose of environment and form no part of the ornamental design.

1 Claim, 7 Drawing Sheets



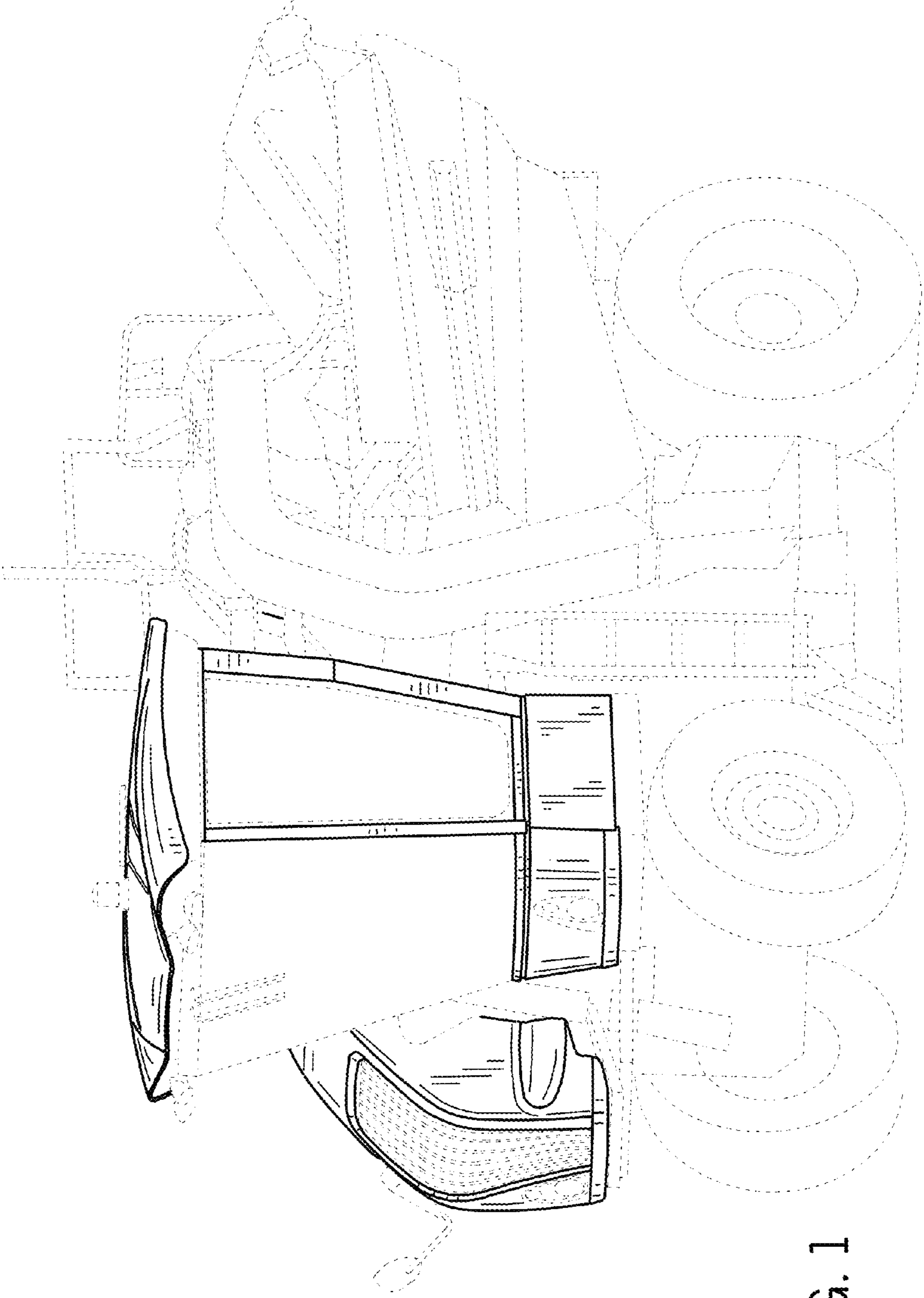


FIG. 1

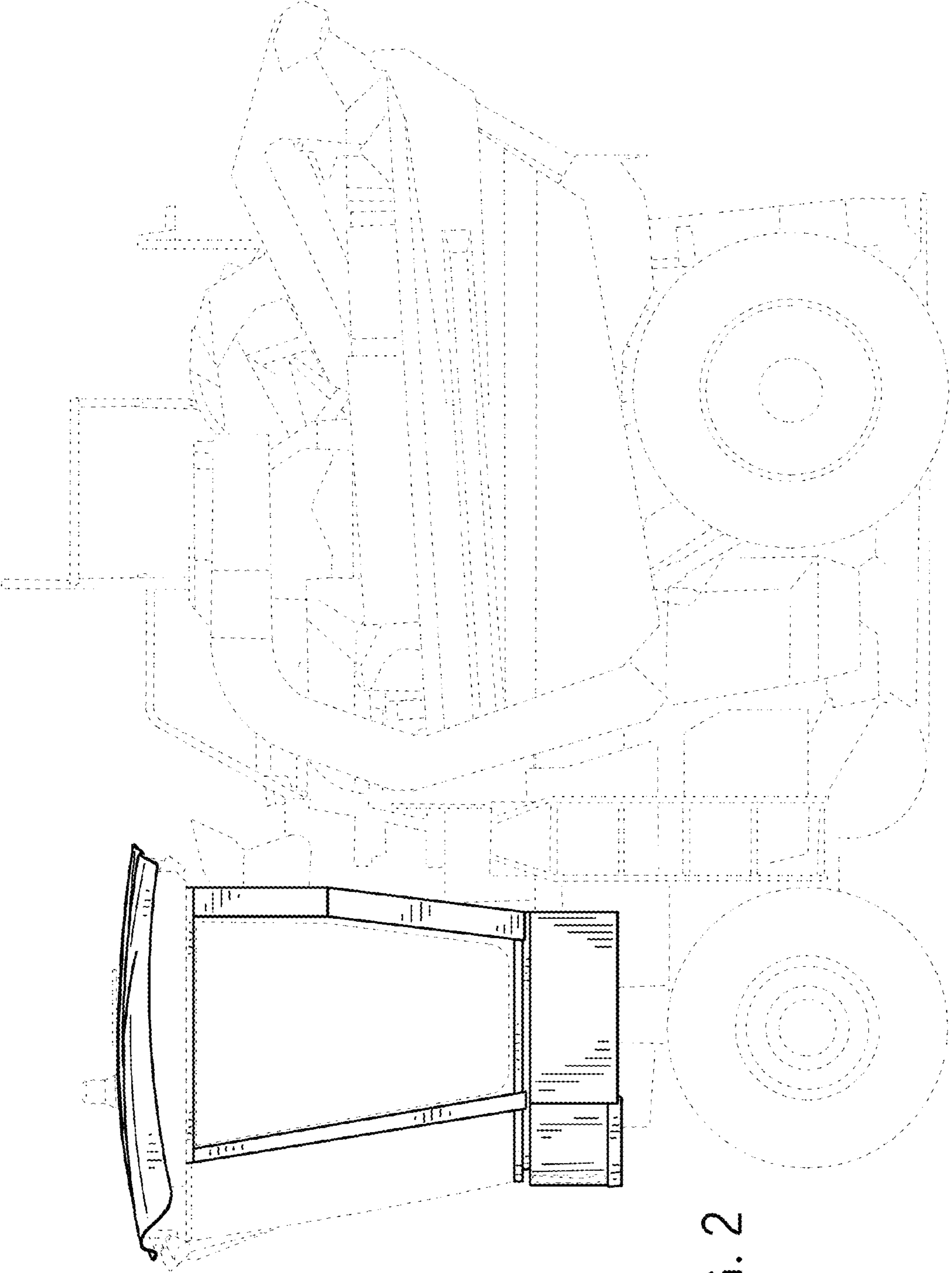


FIG. 2

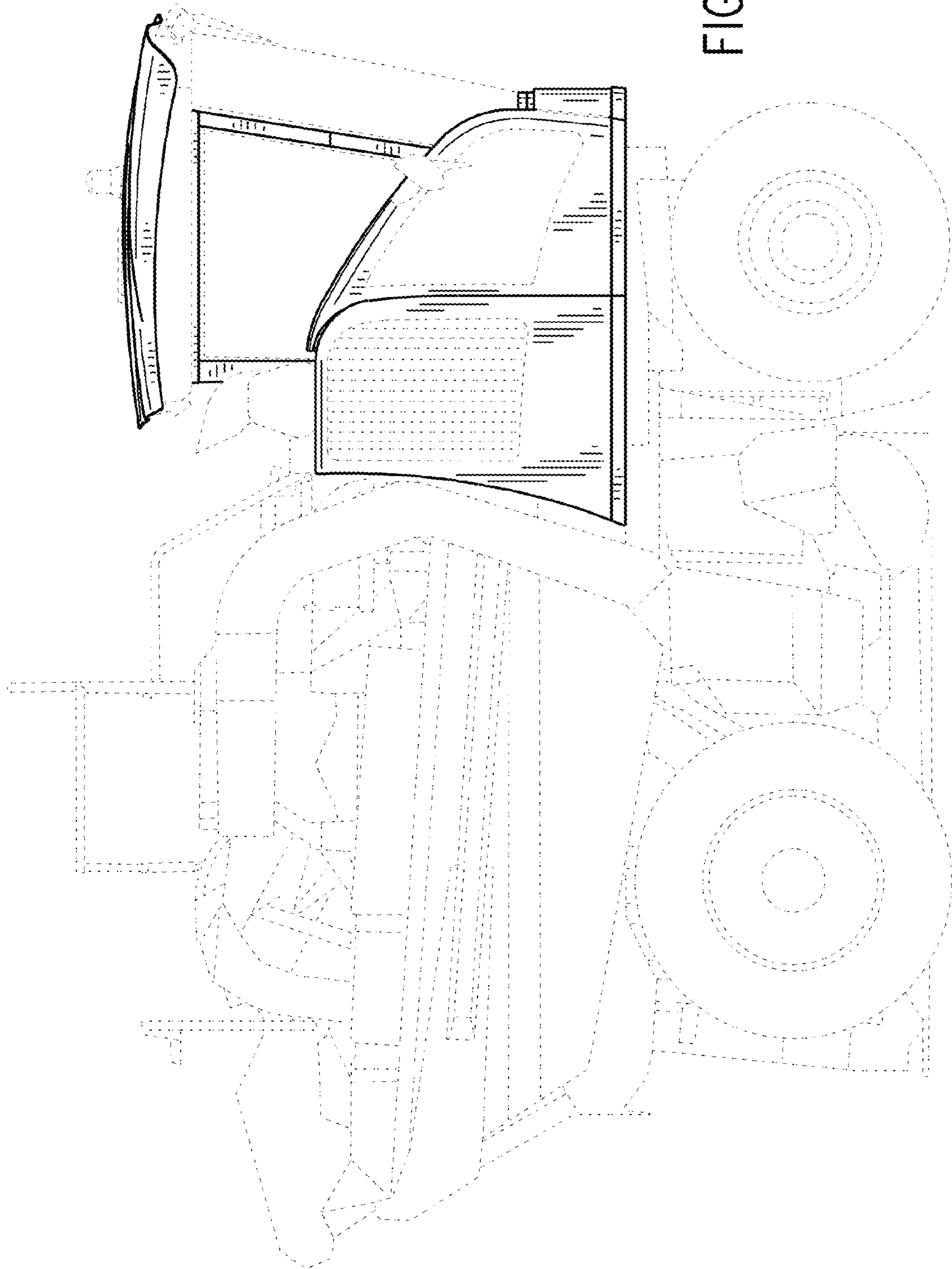
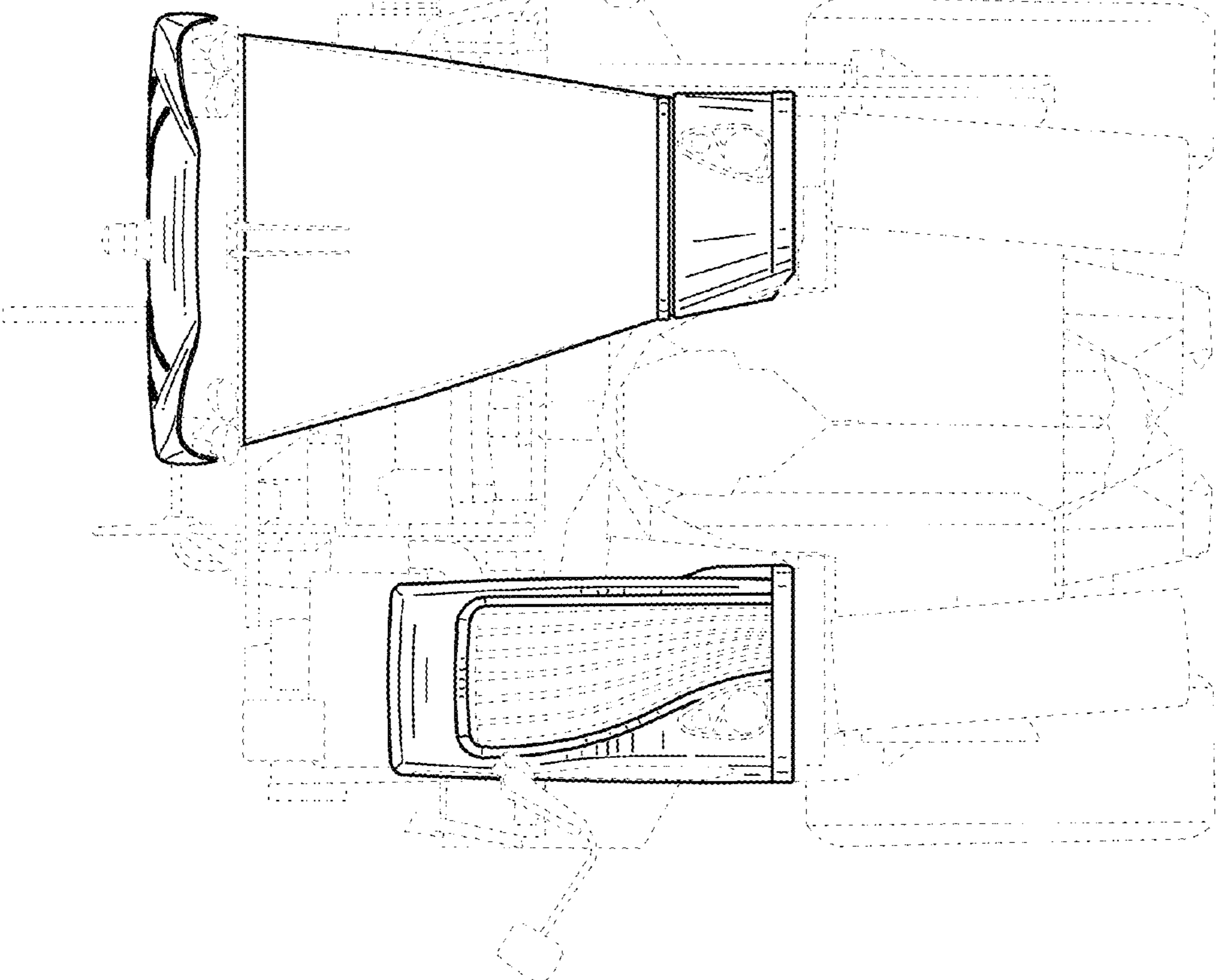


FIG. 3

FIG. 4



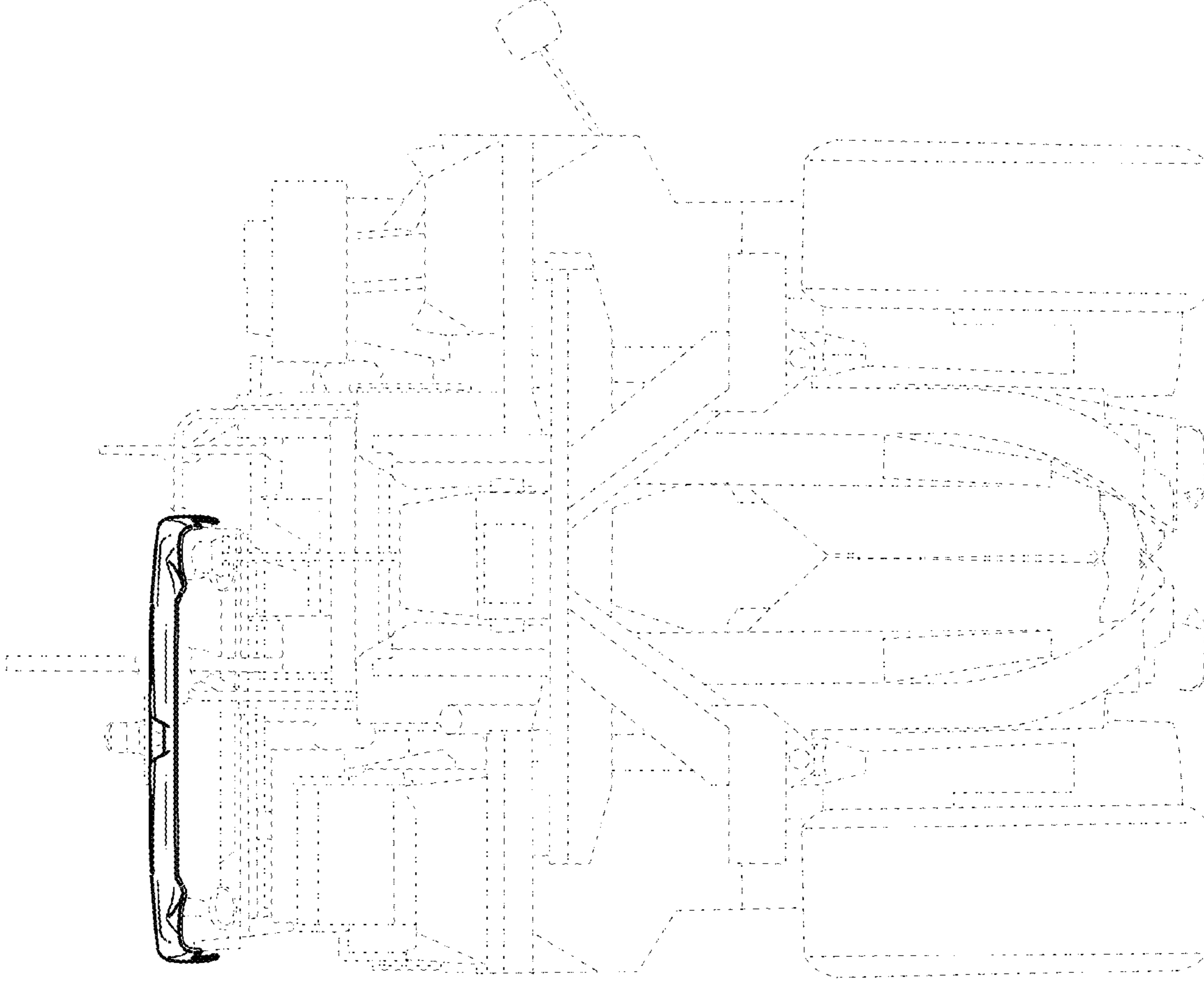


FIG. 5

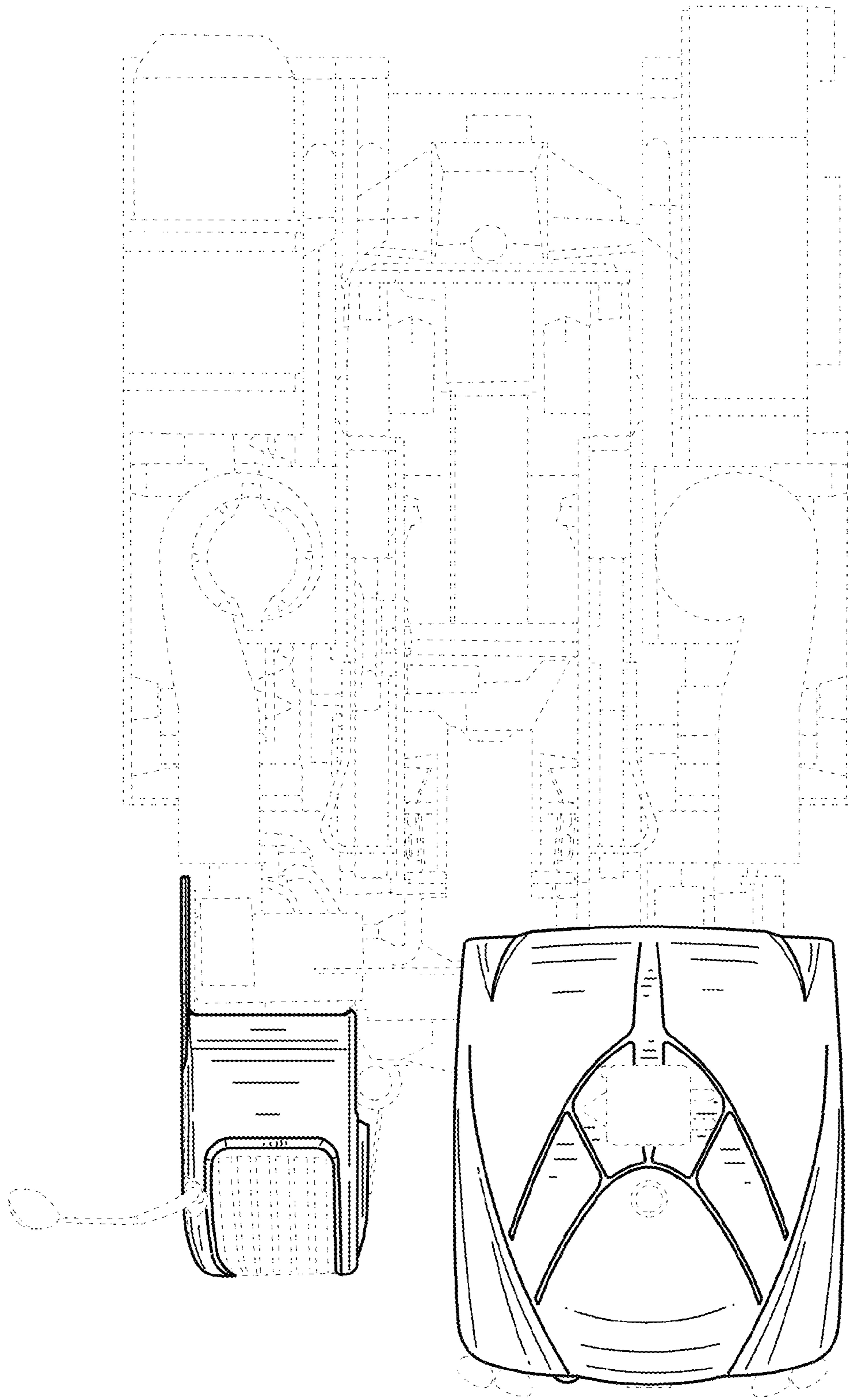


FIG. 6

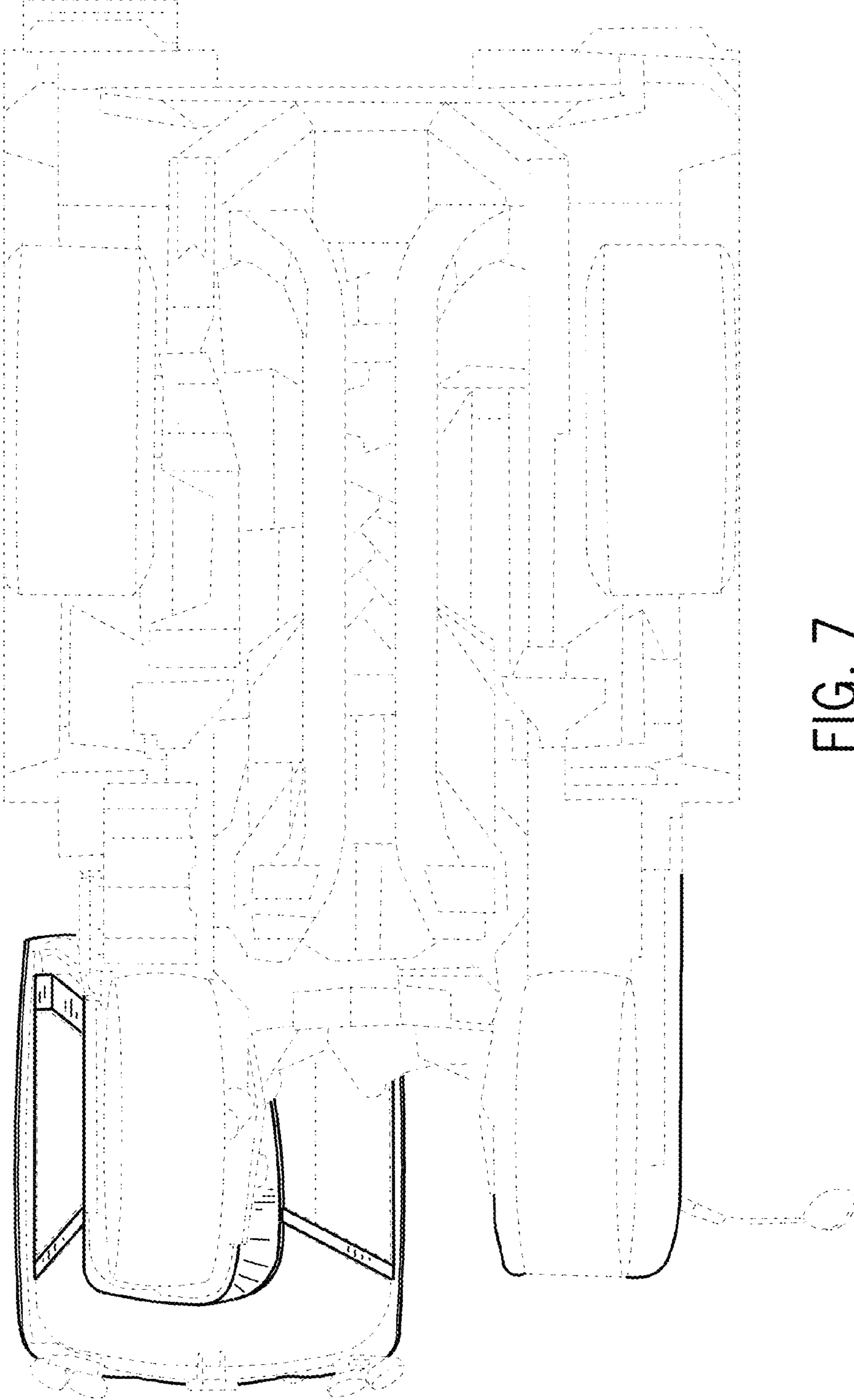


FIG. 7