



US00D766992S

(12) **United States Design Patent** (10) **Patent No.:** **US D766,992 S**  
**Anderson et al.** (45) **Date of Patent:** **\*\* Sep. 20, 2016**

(54) **AGRICULTURAL PLANTER ROW UNIT** Y10S 111/921; Y10S 111/923; Y10S 111/924; Y10S 111/925

(71) Applicant: **CNH Industrial America LLC**, New Holland, PA (US) See application file for complete search history.

(72) Inventors: **Brian J. Anderson**, Yorkville, IL (US); **Christopher Schoeny**, Yorkville, IL (US); **Chad M. Johnson**, Arlington Heights, IL (US); **Travis L. Harnetiaux**, Bourbonnais, IL (US); **Johnathon R. Dienst**, DeKalb, IL (US); **Ryan R. Raetzman**, Lemont, IL (US); **Marvin A. Prickel**, Homer Glen, IL (US); **Richard H. Justice**, South Bend, IN (US); **Henry Tran**, Elk Grove Village, IL (US); **Brent Elwing**, Roselle, IL (US)

(73) Assignee: **CNH Industrial America LLC**, New Holland, PA (US)

(\*\*) Term: **15 Years**

(21) Appl. No.: **29/531,811**

(22) Filed: **Jun. 30, 2015**

(51) **LOC (10) Cl.** ..... **15-03**

(52) **U.S. Cl.**  
USPC ..... **D15/28**; D15/27; D15/10

(58) **Field of Classification Search**  
USPC ..... D15/10, 12, 27, 28; 56/15.8, 15.9; 172/311, 210, 466, 484, 456, 481, 605, 172/626, 776, 507, 538, 518, 29; 280/411.1, 412, 413, 415 A, 415 R, 482, 280/656; 111/157, 170, 900, 149, 139, 140, 111/924  
CPC .. A01B 73/065; A01B 73/005; A01B 73/00; A01B 73/02; A01B 73/04; A01B 73/06; A01B 49/06; A01B 49/00; A01B 61/044; A01B 61/048; A01B 5/04; A01B 49/027; A01C 7/208; A01C 7/18; A01C 7/00; A01C 7/20; A01C 7/06; A01C 5/064; A01C 5/068; A01C 7/203; A01C 7/205; A01C 7/206;

(56) **References Cited**

U.S. PATENT DOCUMENTS

D469,783 S *	2/2003	Paluch .....	D15/10
6,520,100 B1 *	2/2003	Spooner, Sr. ....	A01C 7/102 111/52
6,843,186 B2 *	1/2005	Shoup .....	A01C 7/08 111/59
7,377,221 B1 *	5/2008	Brockmeier .....	A01C 7/046 111/184
7,401,561 B1 *	7/2008	Kurz .....	A01C 7/205 111/62
D598,936 S *	8/2009	Hall .....	D15/11
D644,253 S *	8/2011	Donadon .....	D15/10
8,356,563 B2 *	1/2013	Schaffert .....	A01C 5/064 111/121
8,826,836 B2 *	9/2014	Van Buskirk .....	A01C 7/006 111/140
8,863,676 B2 *	10/2014	Brockmann .....	A01C 7/088 111/186

(Continued)

*Primary Examiner* — Mark Goodwin

(74) *Attorney, Agent, or Firm* — Rebecca L. Henkel

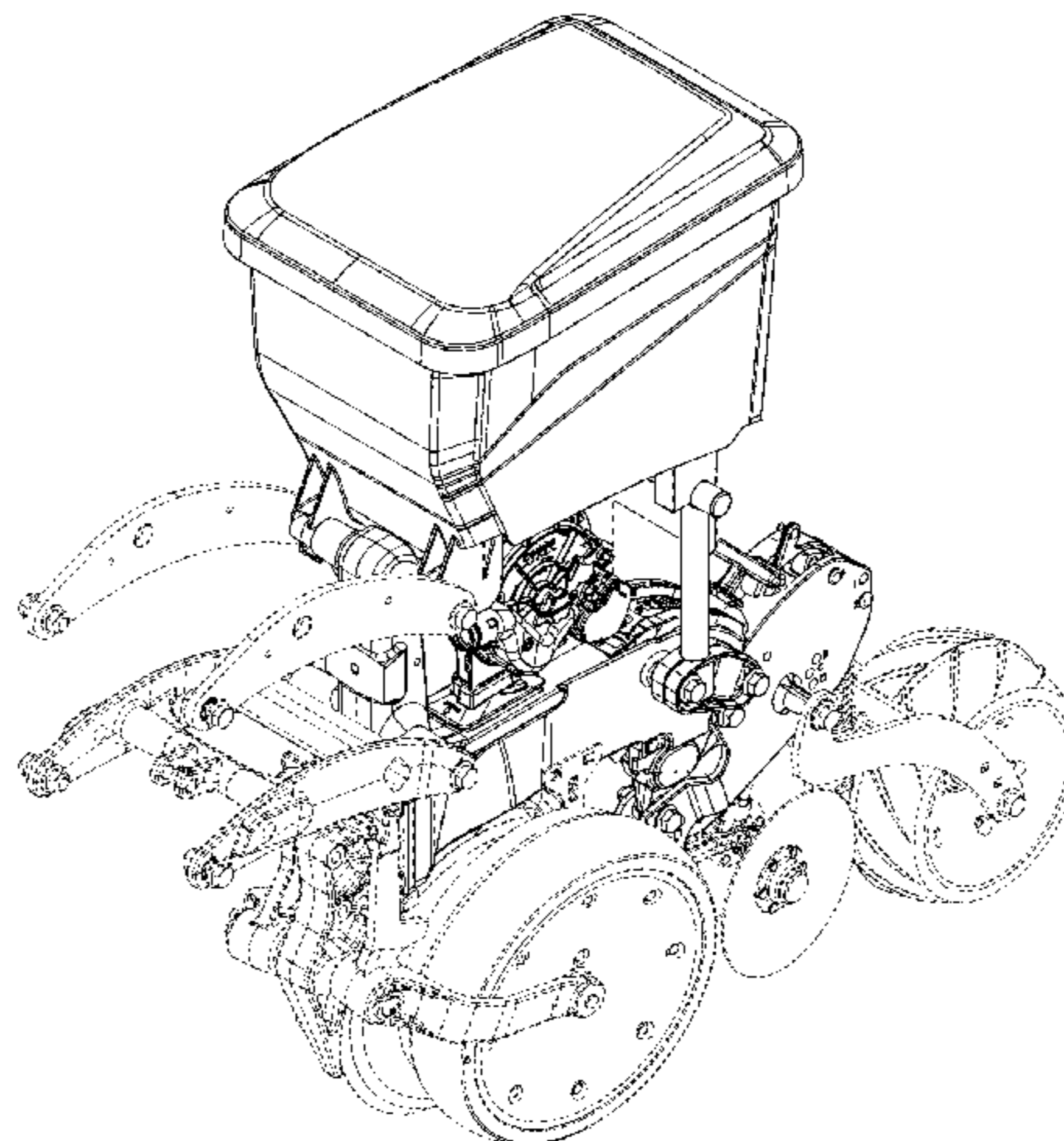
(57) **CLAIM**

The ornamental design for the agricultural planter row unit, as shown and described.

**DESCRIPTION**

FIG. 1 is a perspective view of the agricultural planter row unit showing our new design, the portion in phantom lines in the figures forming no part of the claimed invention; FIG. 2 is a side view thereof; FIG. 3 is an opposite side view thereof; FIG. 4 is top view thereof; FIG. 5 is a bottom view thereof; FIG. 6 is a front view thereof; and, FIG. 7 is a rear view thereof.

**1 Claim, 6 Drawing Sheets**



(56)

**References Cited**

U.S. PATENT DOCUMENTS

8,939,095 B2 \* 1/2015 Freed ..... A01B 49/027  
111/164  
2009/0025619 A1 \* 1/2009 Vandersnick ..... A01C 7/205  
111/135  
2012/0305274 A1 \* 12/2012 Bassett ..... A01C 7/205  
172/5  
2013/0206431 A1 \* 8/2013 Freed ..... A01B 49/027  
172/1  
2013/0248212 A1 \* 9/2013 Bassett ..... A01C 7/205  
172/4  
2014/0034339 A1 \* 2/2014 Sauder ..... A01C 7/205  
172/2  
2014/0048295 A1 \* 2/2014 Bassett ..... A01C 7/205  
172/2

2014/0048296 A1 \* 2/2014 Bassett ..... A01B 71/02  
172/4  
2014/0048297 A1 \* 2/2014 Bassett ..... A01B 63/114  
172/4  
2014/0090585 A1 \* 4/2014 Sauder ..... A01C 5/064  
111/121  
2014/0116735 A1 \* 5/2014 Bassett ..... A01B 61/044  
172/2  
2014/0224513 A1 \* 8/2014 Van Buskirk ..... A01C 5/066  
172/140  
2014/0262381 A1 \* 9/2014 Schaffert ..... A01C 5/064  
172/558  
2015/0000940 A1 \* 1/2015 Patwardhan ..... A01C 5/066  
172/1

\* cited by examiner

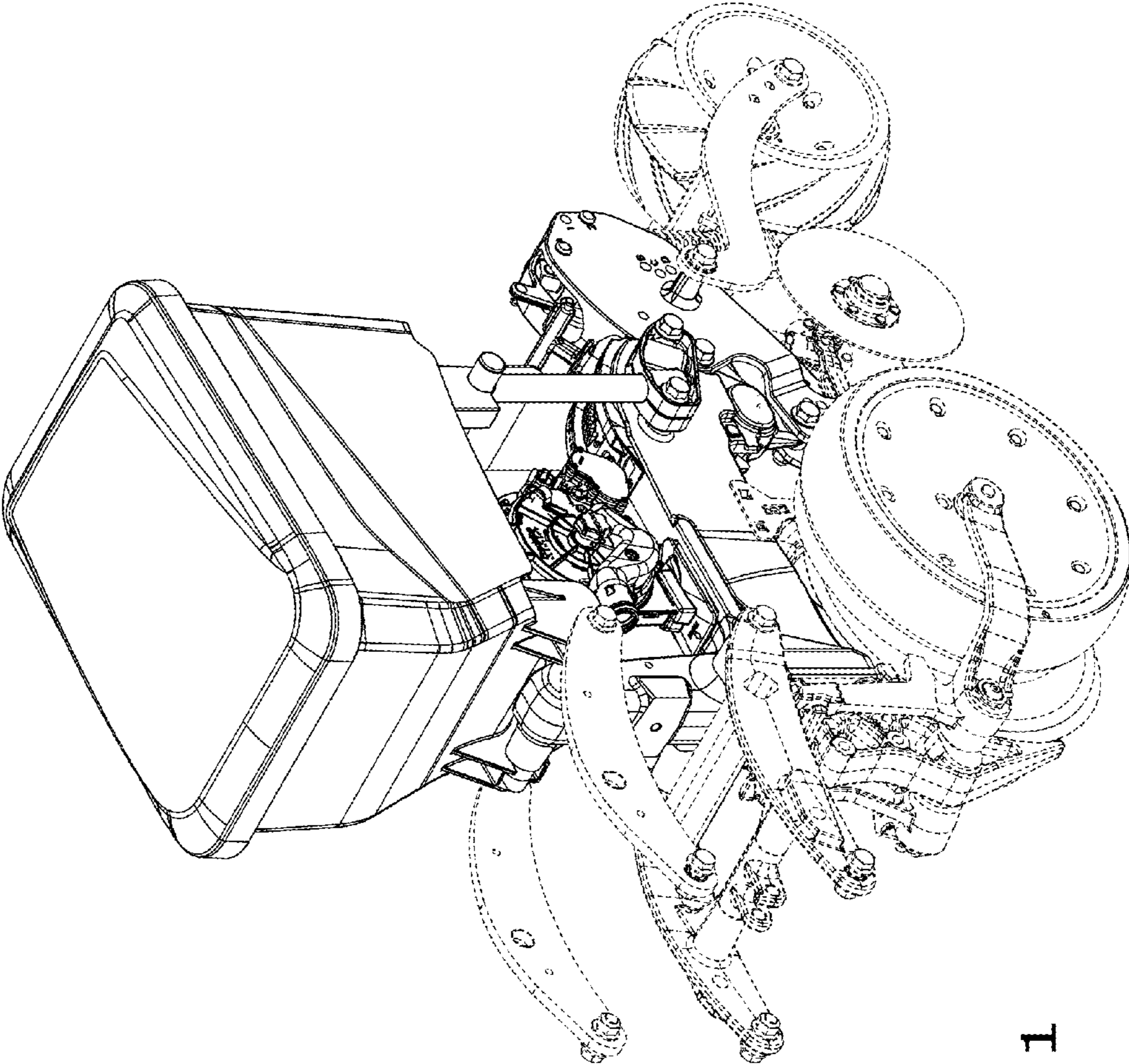


Fig. 1



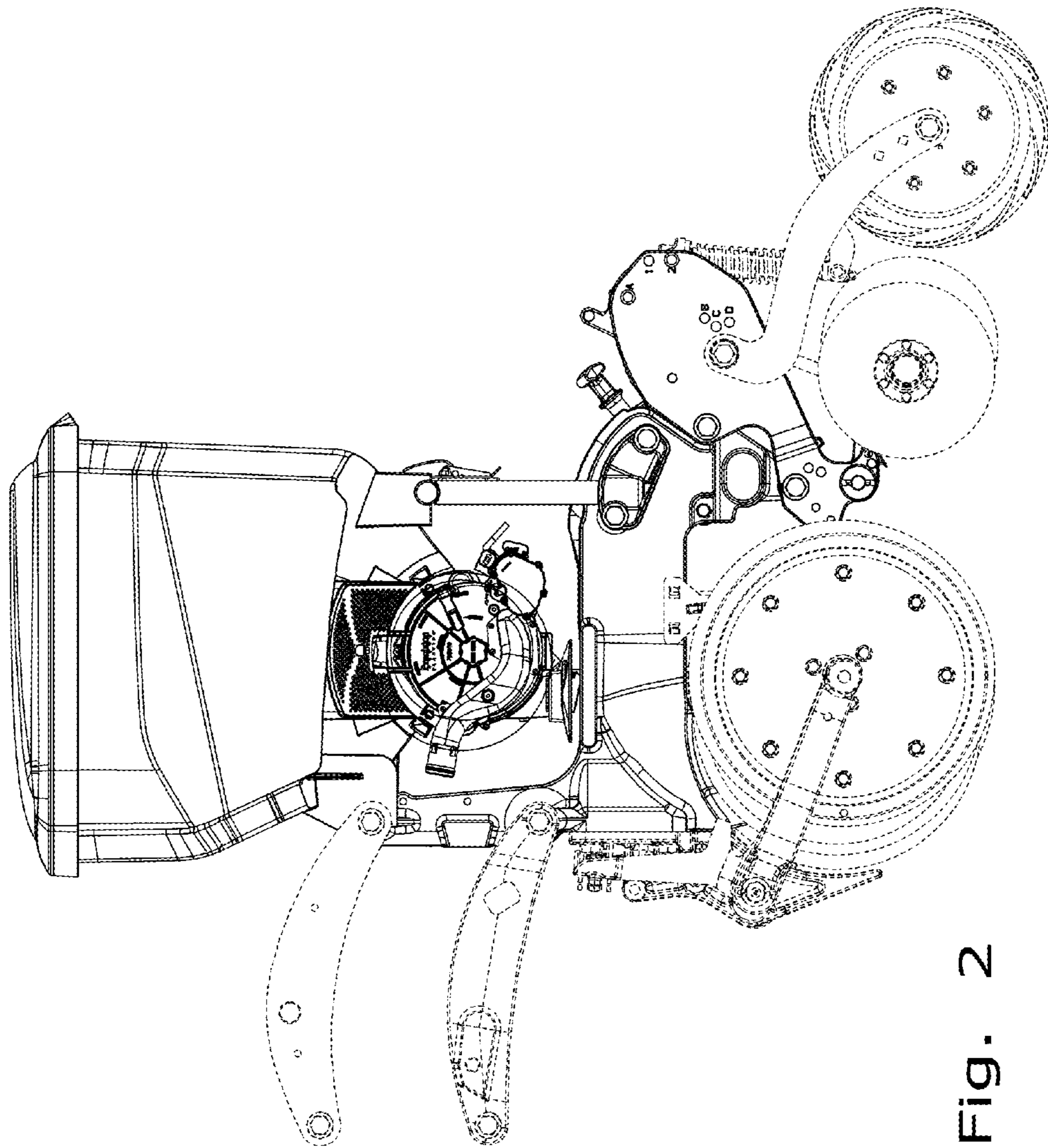


Fig. 2

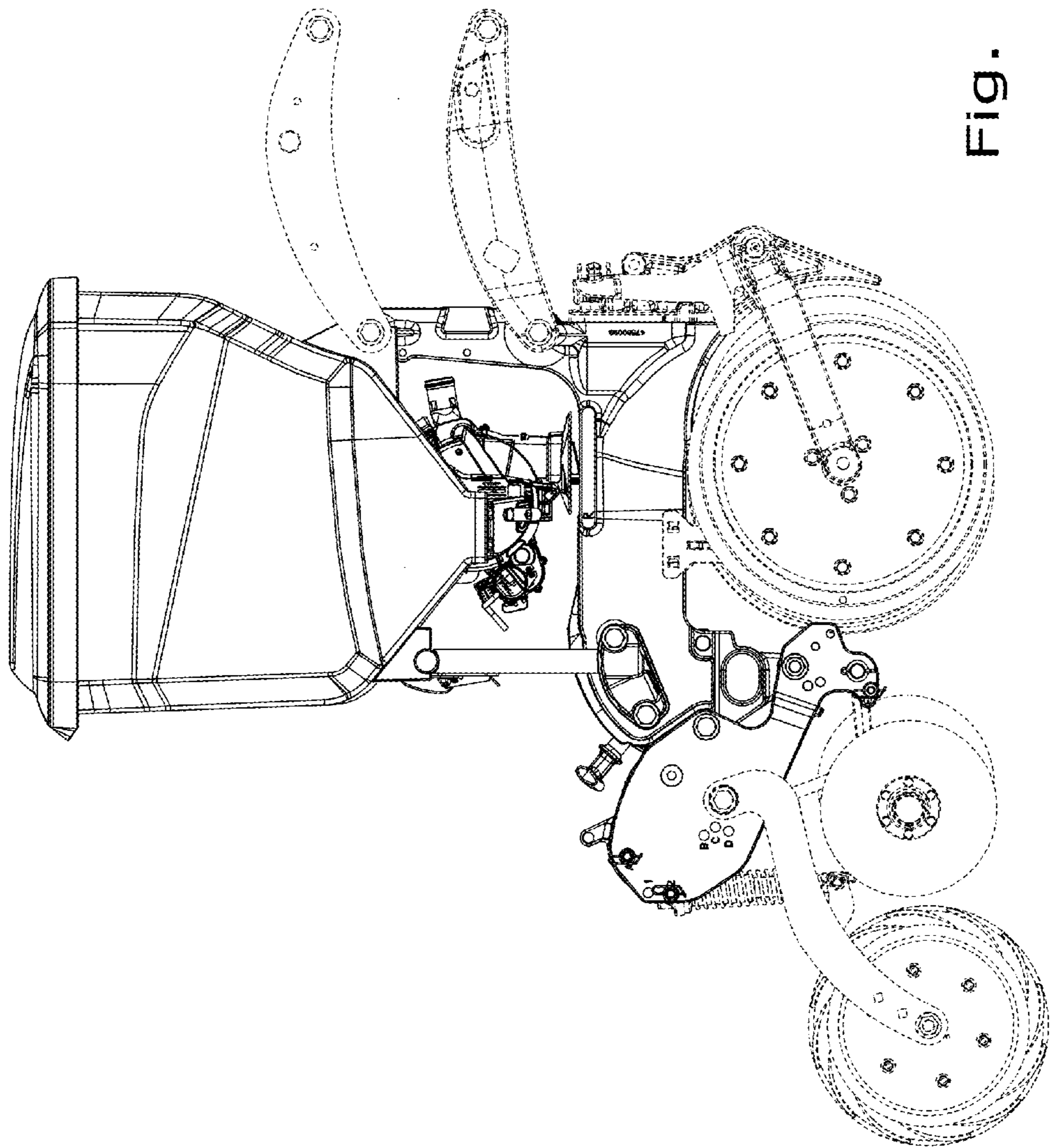


Fig. 3

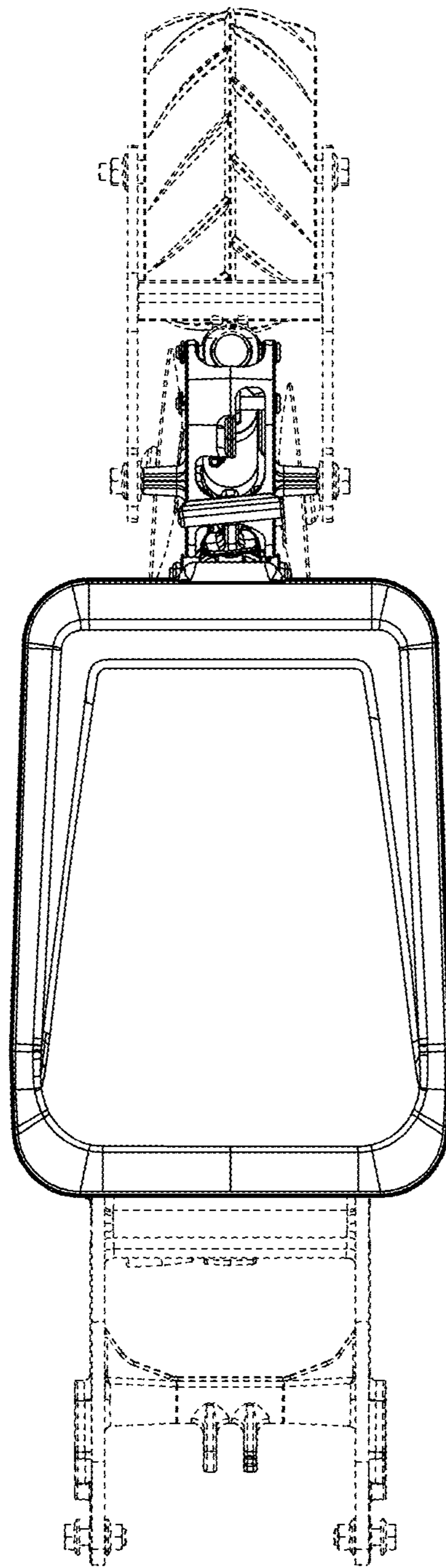


Fig. 4

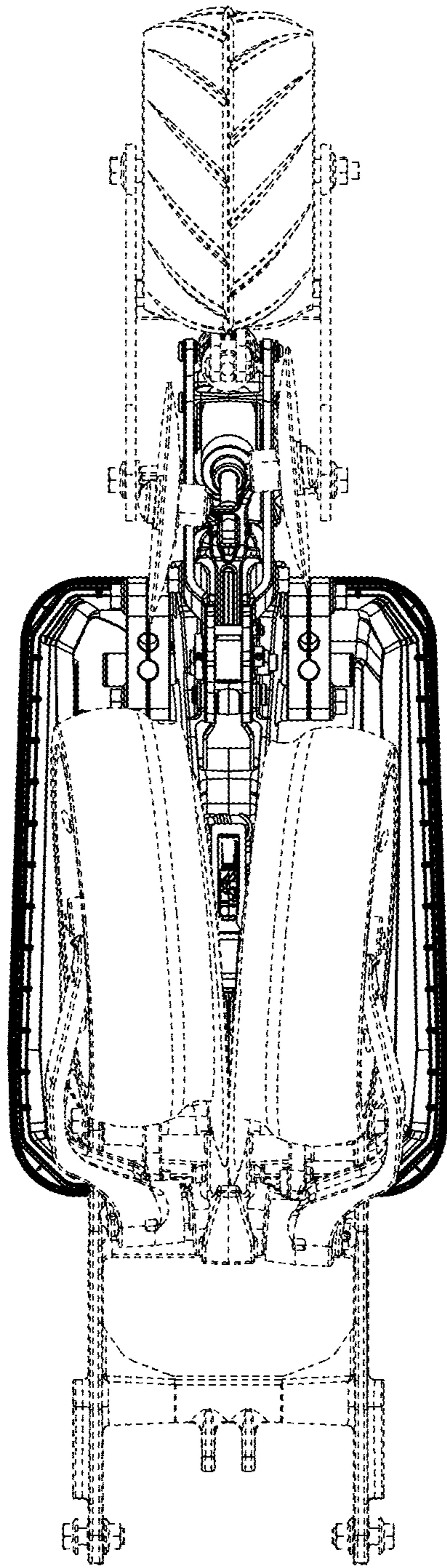


Fig. 5



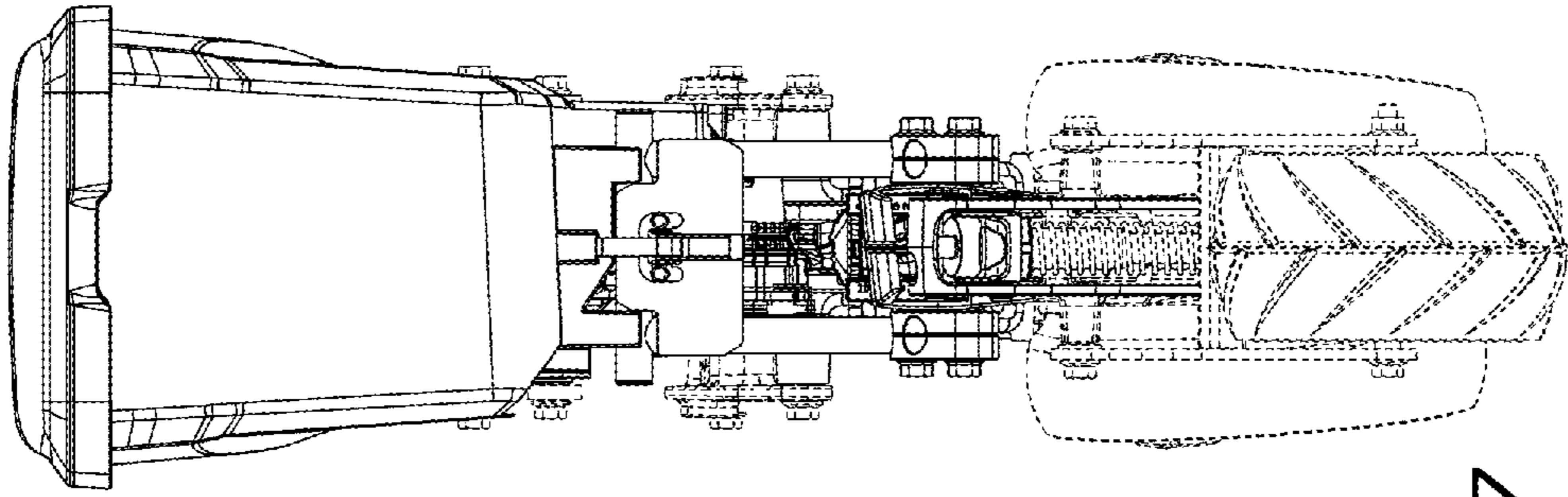


Fig. 7

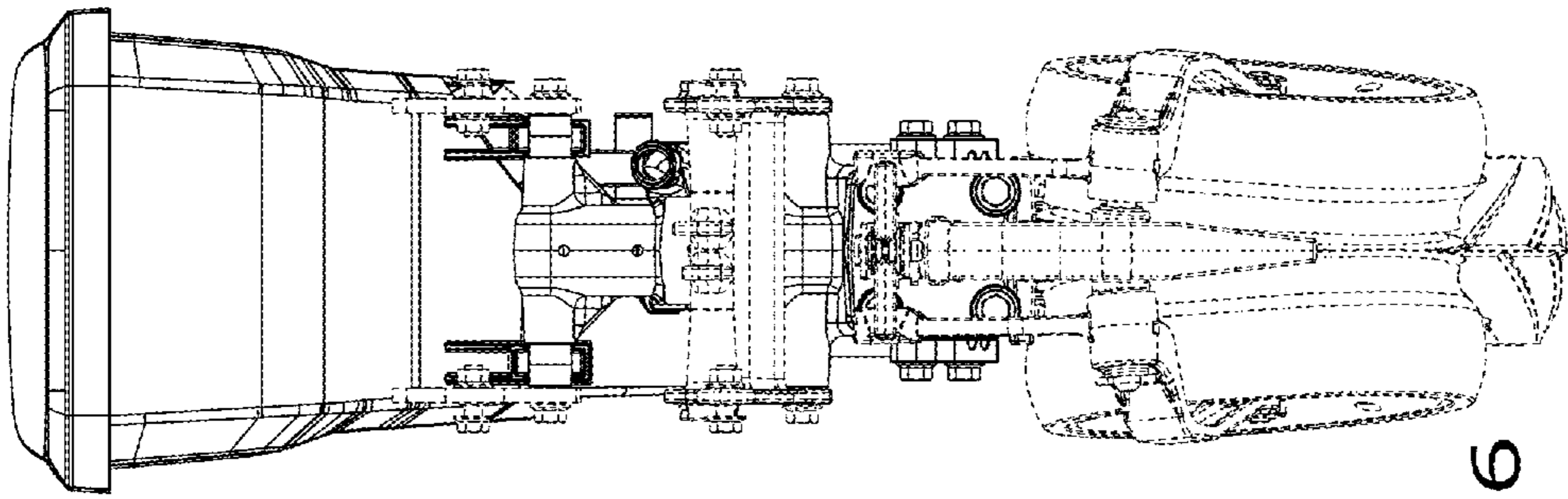


Fig. 6