



US00D766991S

(12) **United States Design Patent**
Ingram et al.

(10) **Patent No.:** **US D766,991 S**

(45) **Date of Patent:** **** Sep. 20, 2016**

(54) **PUMP HOUSING**

(71) Applicant: **Roper Pump Company**, Commerce,
GA (US)

(72) Inventors: **Michael Andrew Ingram**, Oakwood,
GA (US); **Jeffrey Lee Brown**,
Louisville, KY (US)

(73) Assignee: **Roper Pump Company**, Commerce,
GA (US)

(**) Term: **15 Years**

(21) Appl. No.: **29/545,265**

(22) Filed: **Nov. 11, 2015**

(51) **LOC (10) Cl.** **15-02**

(52) **U.S. Cl.**
USPC **D15/7**

(58) **Field of Classification Search**
USPC D15/7-9; D23/231, 232, 225; 417/60,
417/235, 265, 321, 355, 358, 363, 359,
417/410.1, 415-416, 405, 900, 269, 539;
60/408, 412; 184/26-37; 415/140-147;
123/495, 509; 137/565.34
CPC F02M 37/04; F02M 37/14; F04B 53/92;
F04B 1/005
See application file for complete search history.

(56) **References Cited**

U.S. PATENT DOCUMENTS

1,923,268 A * 8/1933 Jensen F04C 2/123
418/113
D178,799 S * 9/1956 Lung D15/7
D220,133 S * 3/1971 Knapp et al. D15/9

D230,372 S * 2/1974 Woodling D15/7
D242,650 S * 12/1976 McKesson D15/5
D294,266 S * 2/1988 Dudeck D15/7
D308,209 S * 5/1990 Laqua D15/7
D308,385 S * 6/1990 Russold D15/7
D339,810 S * 9/1993 Hansen D15/7
D349,710 S * 8/1994 Moro D15/7
D516,089 S * 2/2006 Hsiao D15/7
D604,745 S * 11/2009 Sinico D15/7
D609,595 S * 2/2010 Soderstrom D15/7
D613,635 S * 4/2010 Chu D15/9
D659,716 S * 5/2012 Soderstrom D15/7
D660,320 S * 5/2012 Varini D15/7
D672,787 S * 12/2012 Soderstrom D15/7
D752,110 S * 3/2016 Cook D15/7

* cited by examiner

Primary Examiner — Ralf Seifert

(74) *Attorney, Agent, or Firm* — Caesar Rivise, PC

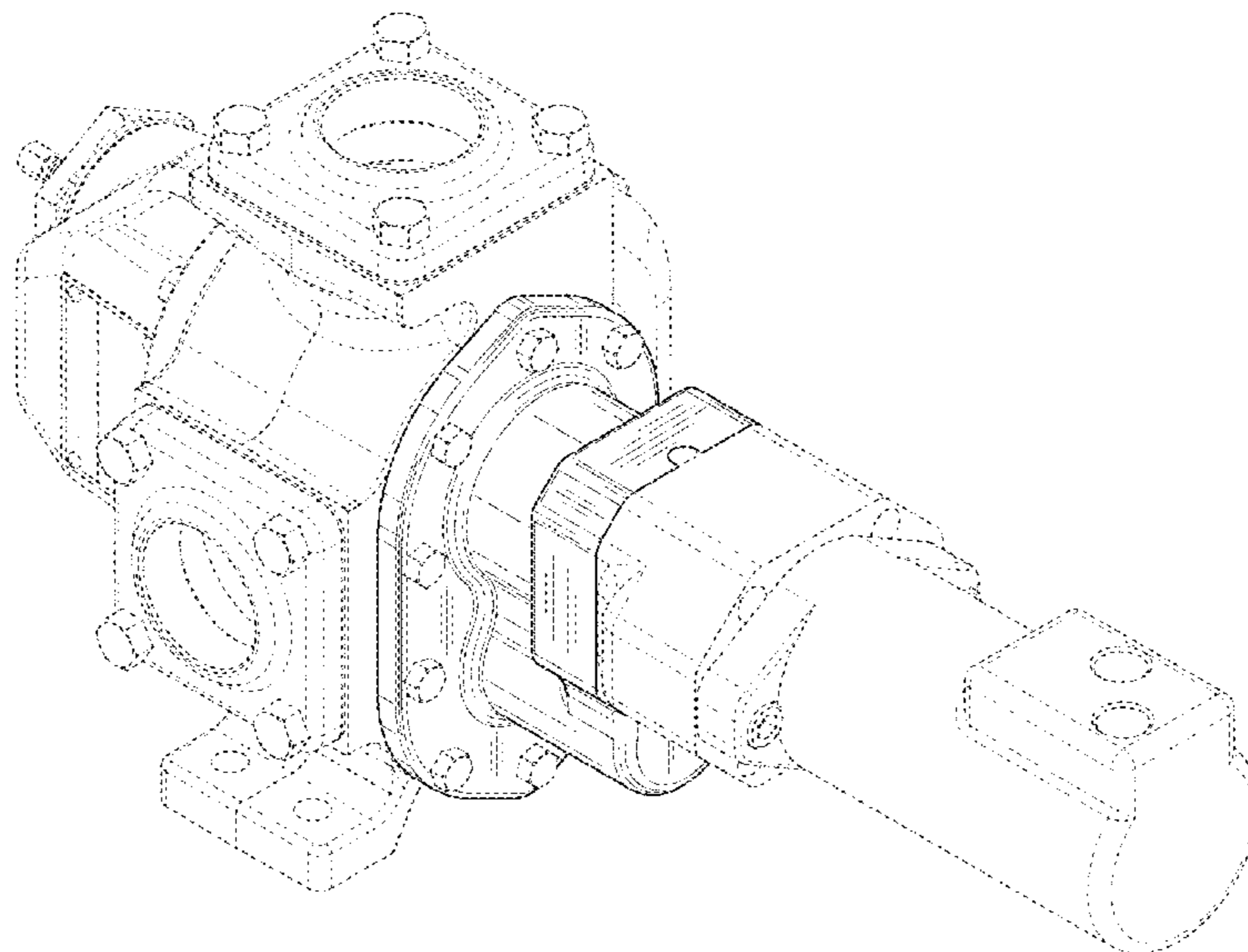
(57) **CLAIM**

The ornamental design for the pump housing, as shown and described.

DESCRIPTION

FIG. 1 is an isometric view of a pump housing in accordance with my design;
FIG. 2 is a front view of the pump housing of FIG. 1;
FIG. 3 is a rear view of the pump housing of FIG. 1;
FIG. 4 is a right side view of the pump housing of FIG. 1;
FIG. 5 is a left side view of the pump housing of FIG. 1;
FIG. 6 is a top view of the pump housing of FIG. 1; and,
FIG. 7 is a bottom view of the pump housing of FIG. 1.
The broken-line disclosure is understood to represent both environmental matter and portions of the article in which the claimed design is embodied, but which form no part of the claimed design.

1 Claim, 7 Drawing Sheets



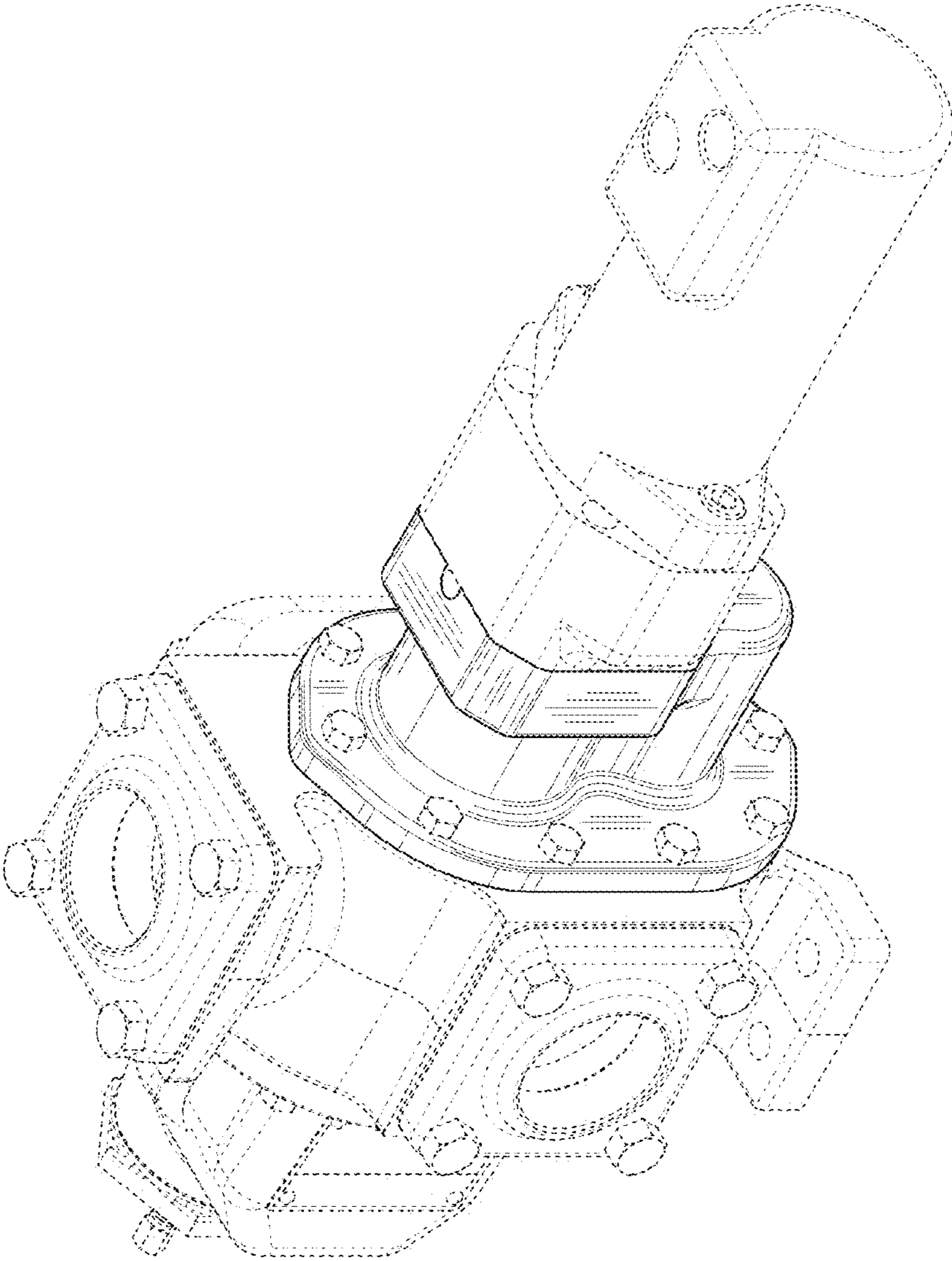


FIG. 1

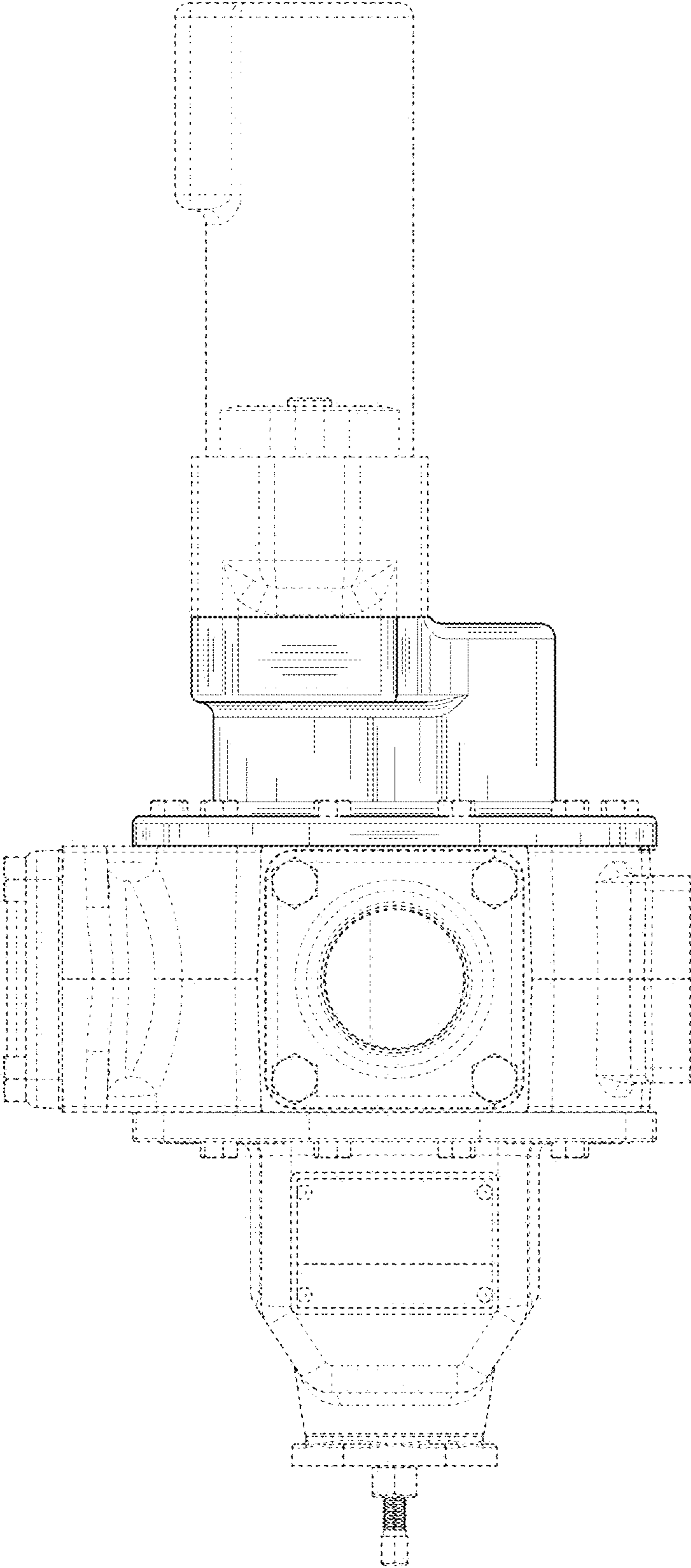


FIG. 2

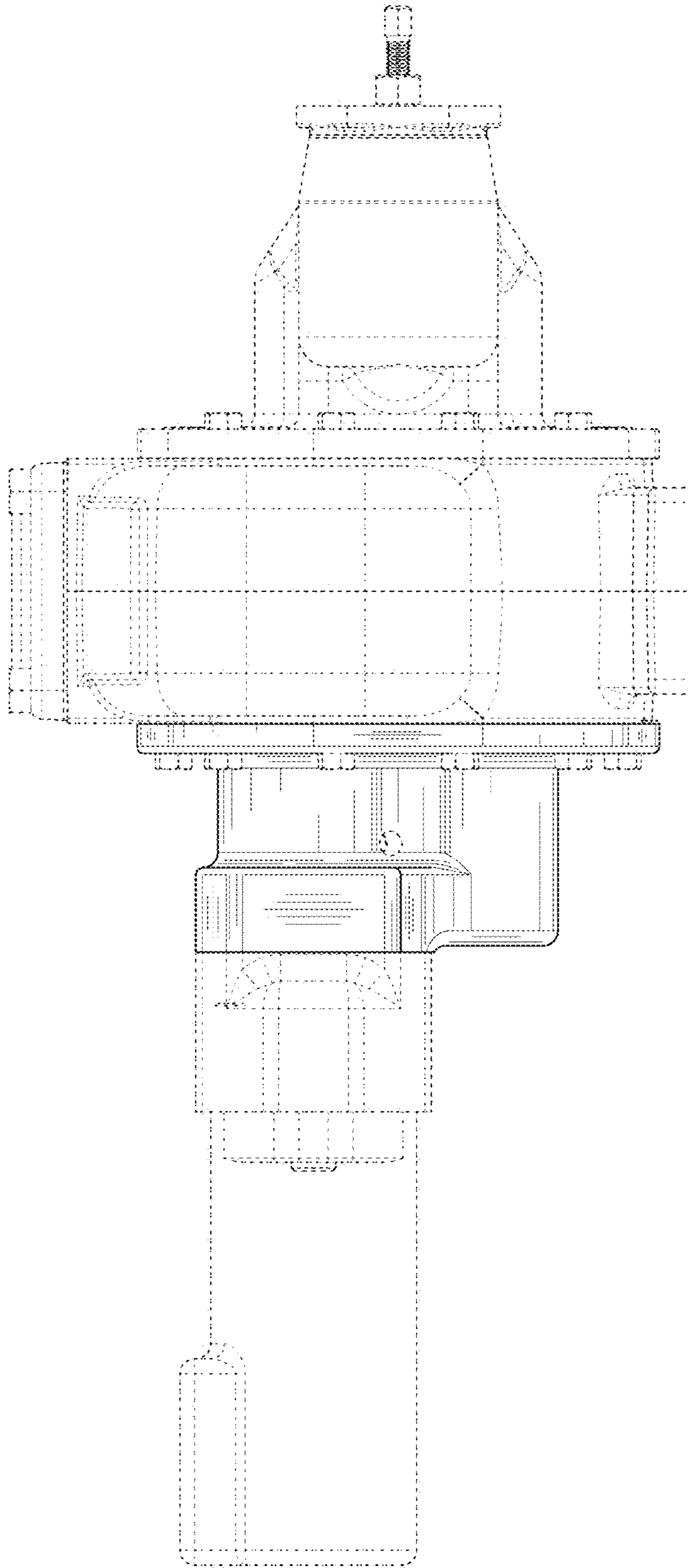


FIG. 3

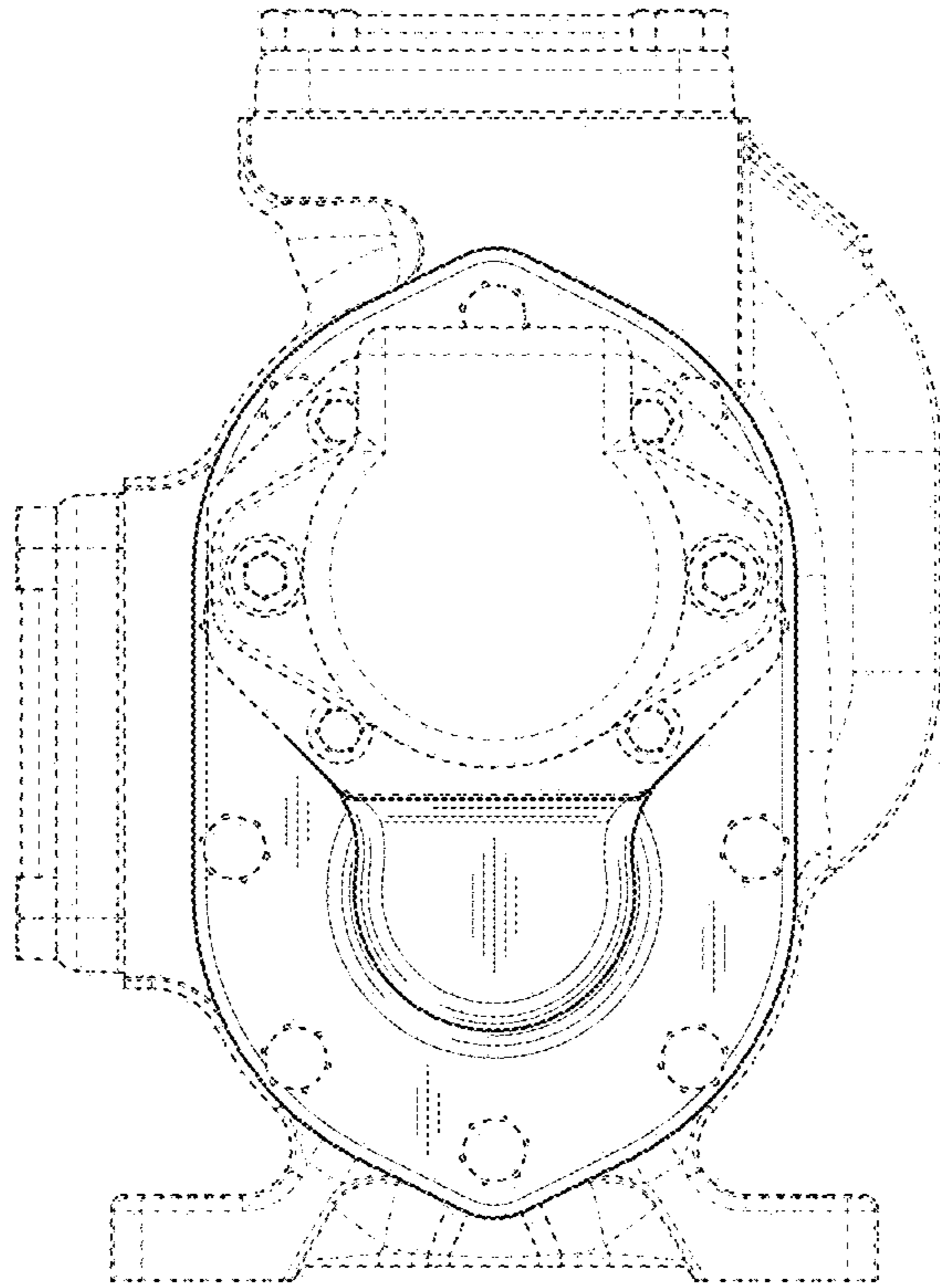


FIG. 4

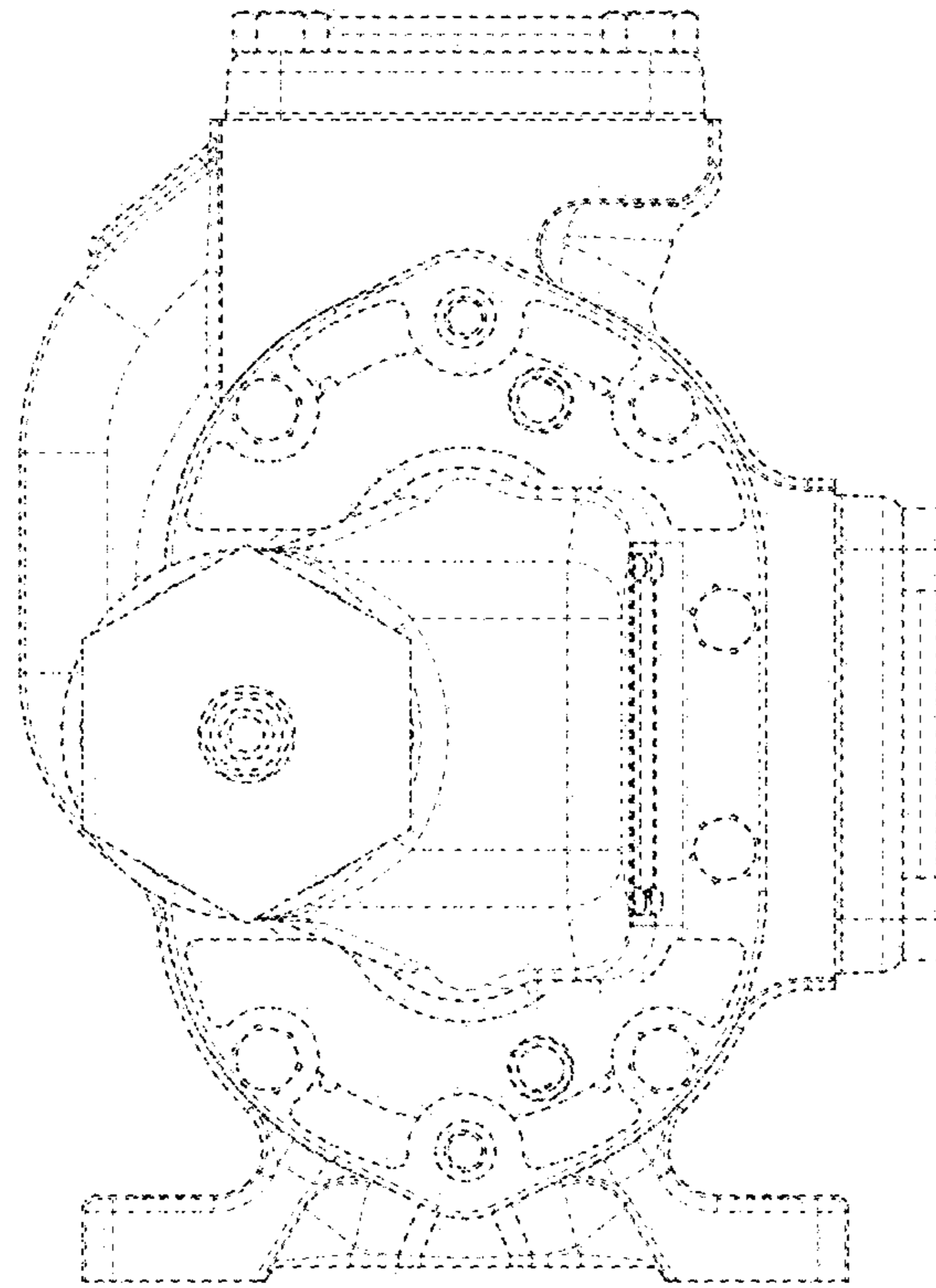


FIG. 5

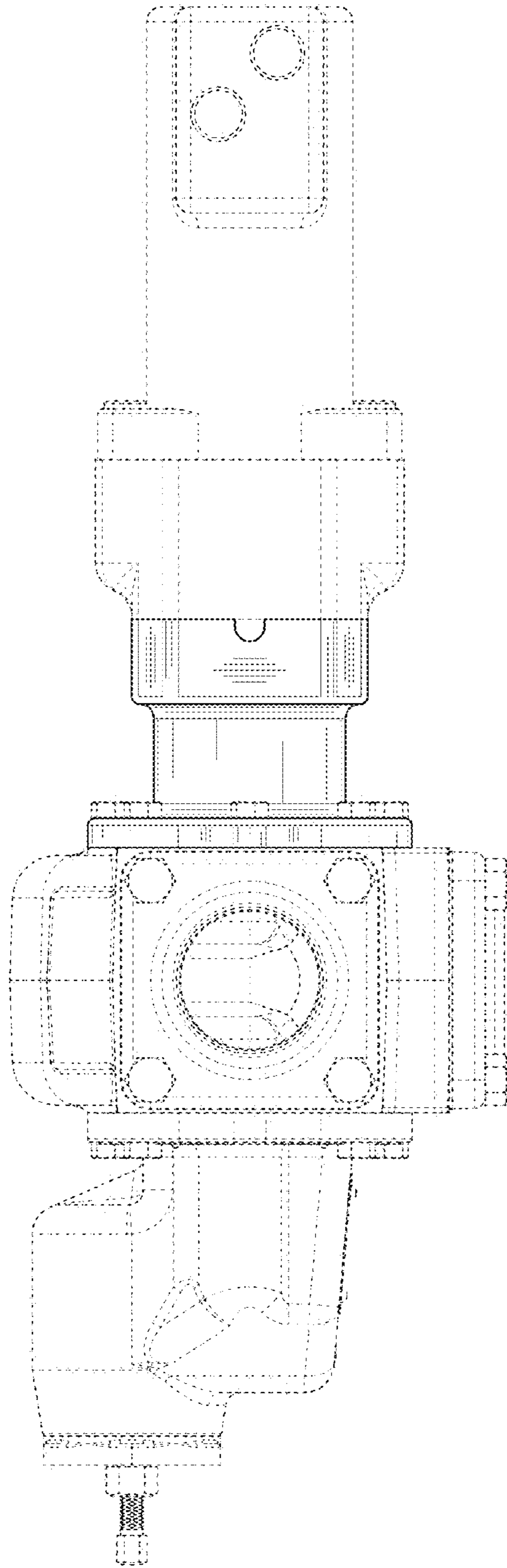


FIG. 6

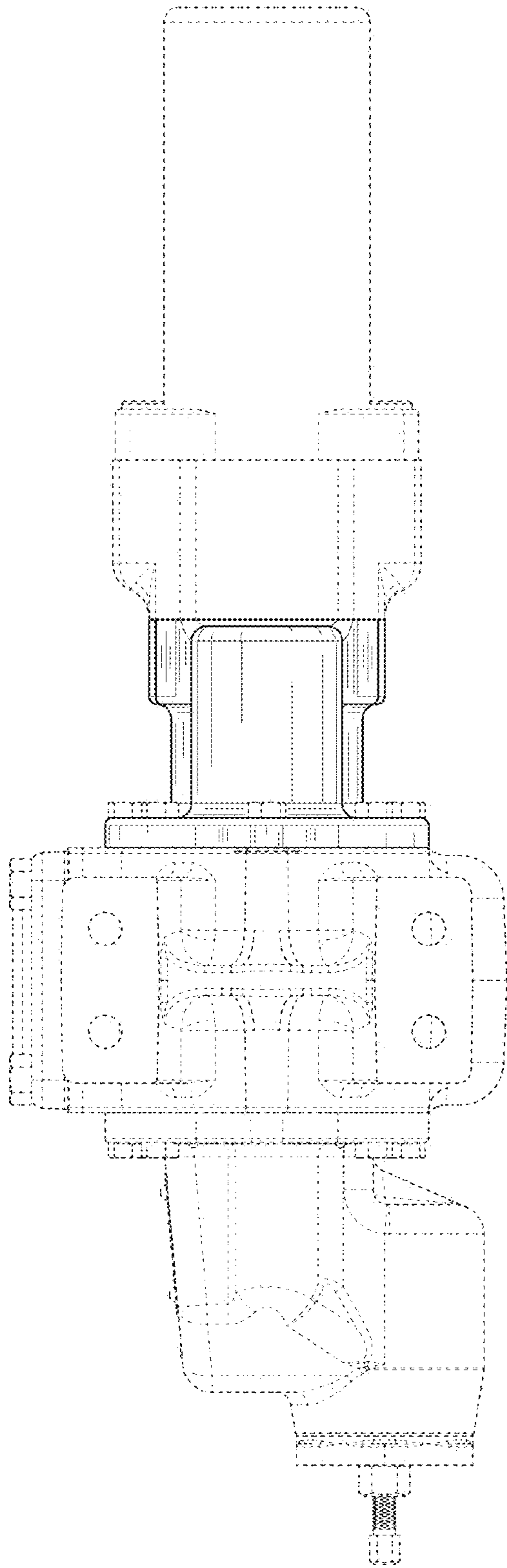


FIG. 7