



US00D766989S

(12) **United States Design Patent** (10) **Patent No.:** **US D766,989 S**
Crowsley et al. (45) **Date of Patent:** **** Sep. 20, 2016**

(54) **PUMP DRIVE UNIT** 4,886,431 A 12/1989 Soderquist et al.
5,147,313 A 9/1992 Dikeman
(71) Applicant: **Watson-Marlow Limited**, Cornwall D403,329 S 12/1998 Walker et al.
(GB) 5,846,061 A 12/1998 Ledebuhr et al.
D498,480 S 11/2004 Tsai
(72) Inventors: **David Crowsley**, Cornwall (GB); D499,425 S 12/2004 Pirzada
Darren Green, Cornwall (GB) 7,001,153 B2 2/2006 McDowell et al.
D518,490 S 4/2006 Pirzada
D558,231 S 12/2007 Vivar et al.
(73) Assignee: **WATSON-MARLOW LIMITED**, D635,588 S 4/2011 Sprules
Cornwall (GB) 8,585,379 B2 11/2013 Ramirez, Jr. et al.
D710,901 S 8/2014 Brokenshire et al.
D730,408 S * 5/2015 Brokenshire D15/7
(**) Term: **15 Years** D735,241 S * 7/2015 Brokenshire D15/7

(21) Appl. No.: **29/527,974**

FOREIGN PATENT DOCUMENTS

(22) Filed: **May 22, 2015**

EP 000681333-0001 3/2007
JP 1534046 S 9/2015
JP 1534047 S 9/2015

(30) **Foreign Application Priority Data**

* cited by examiner

Nov. 26, 2014 (EM) 002585166-0002

(51) **LOC (10) Cl.** **15-02**

Primary Examiner — Ralf Seifert

(52) **U.S. Cl.**
USPC **D15/7**

(74) *Attorney, Agent, or Firm* — MacMillan, Sobanski & Todd, LLC

(58) **Field of Classification Search**
USPC D15/7-9; D23/231, 232, 225; 417/60,
417/235, 265, 321, 355, 358, 363, 359,
417/410.1, 415-416, 405, 900, 476, 477.1;
60/408, 412; 415/140-147; 226/91
CPC F04B 43/12; F04B 43/1253
See application file for complete search history.

(57) **CLAIM**
The ornamental design for a pump drive unit, as shown.

DESCRIPTION

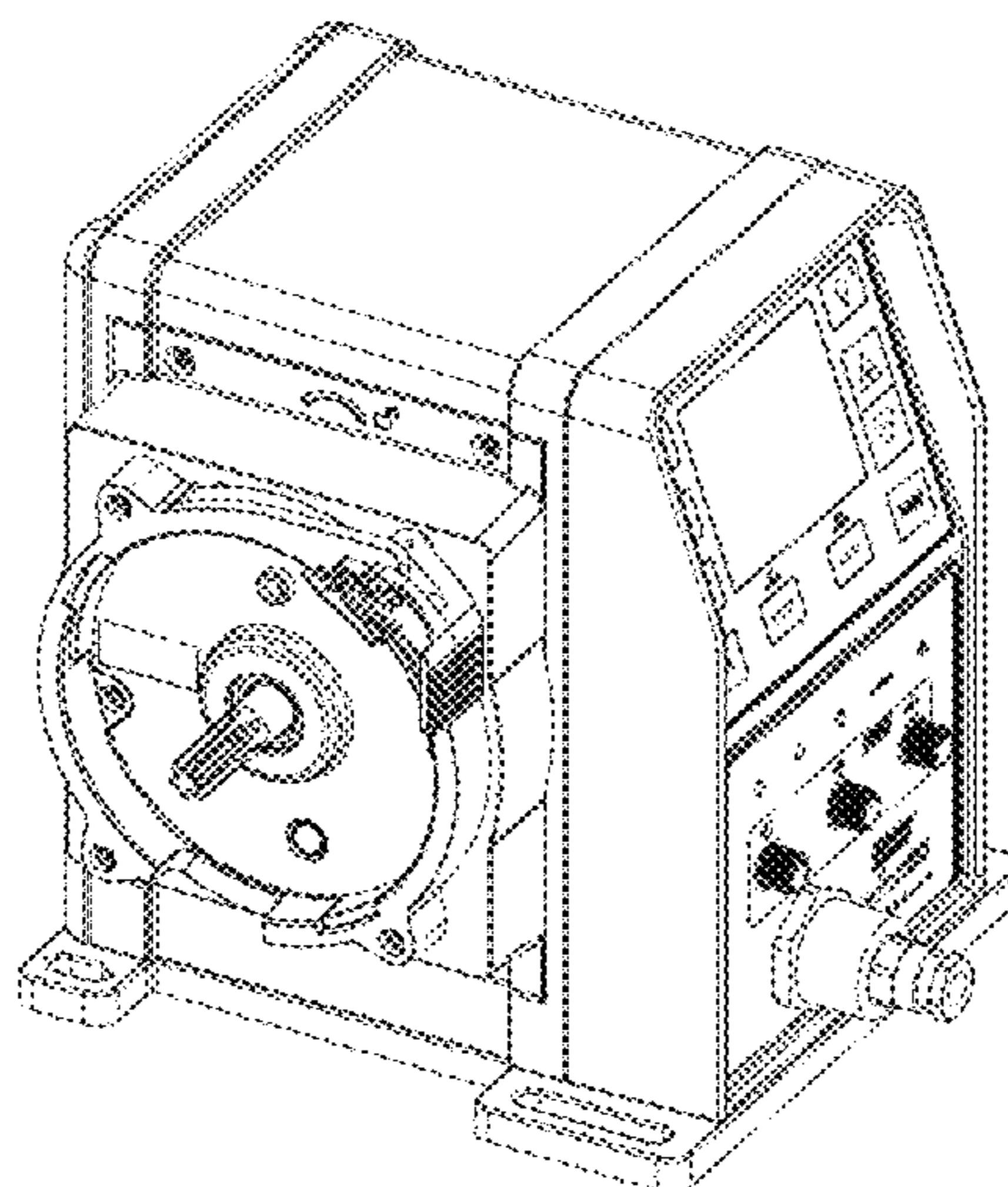
(56) **References Cited**

U.S. PATENT DOCUMENTS

2,958,294 A 11/1960 Johnson
3,756,752 A * 9/1973 Stenner F04B 43/1253
226/91
D236,163 S 7/1975 Manno
4,496,295 A 1/1985 King
D277,602 S 2/1985 Benson et al.
D289,523 S 4/1987 Fussell
D290,127 S 6/1987 Goldman et al.
D303,533 S 9/1989 Eberhardt et al.

FIG. 1 is a perspective view of a pump drive unit embodying our design.
FIG. 2 is a front side elevational view thereof.
FIG. 3 is a rear side elevational view thereof.
FIG. 4 is a left side elevational view thereof.
FIG. 5 is a right side elevational view thereof.
FIG. 6 is a top plan view thereof; and,
FIG. 7 is a bottom plan view thereof.
The broken lines are included for the purpose of illustrating portions of the pump drive unit that form no part of the claimed design.

1 Claim, 7 Drawing Sheets



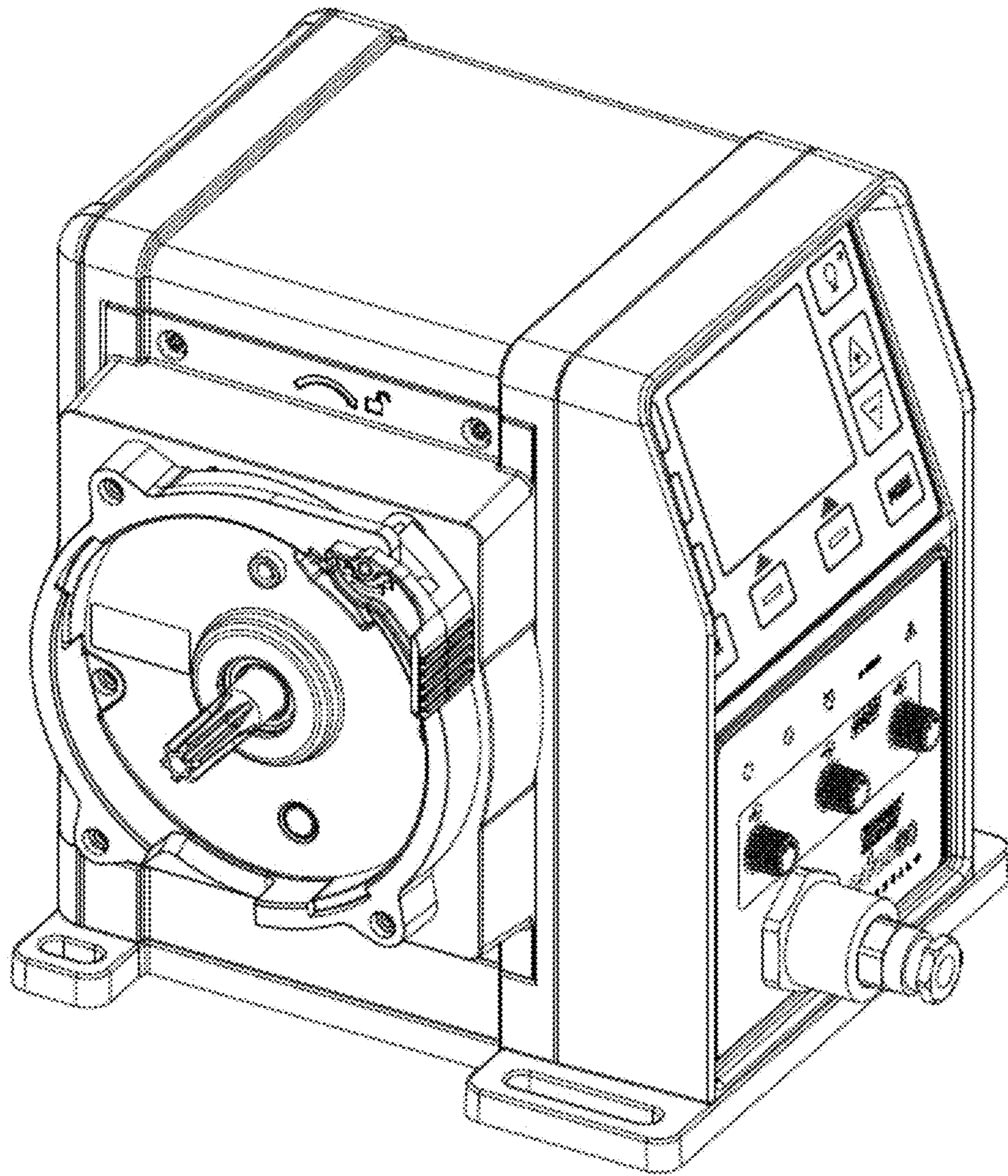


FIG. 1

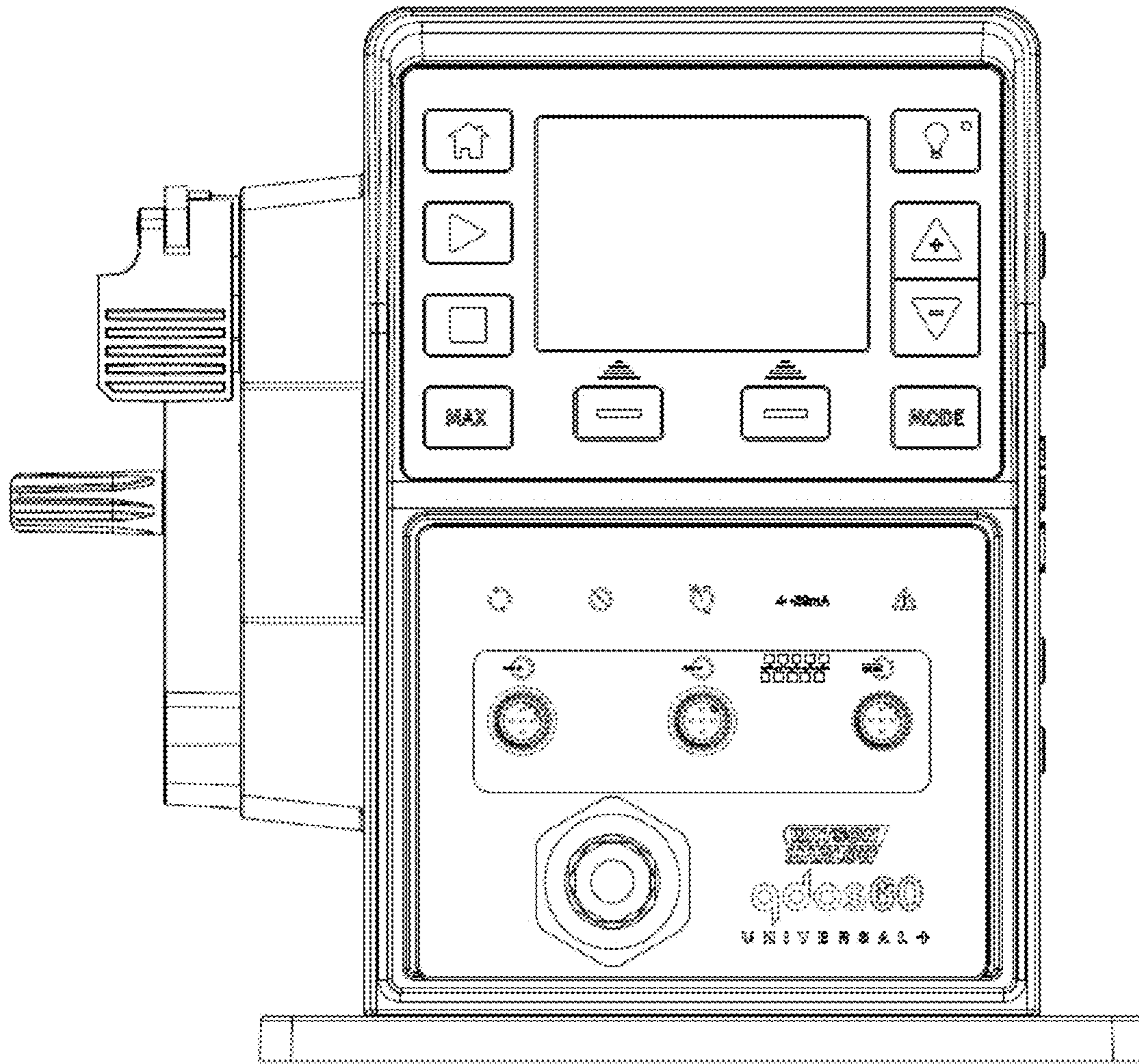


FIG. 2

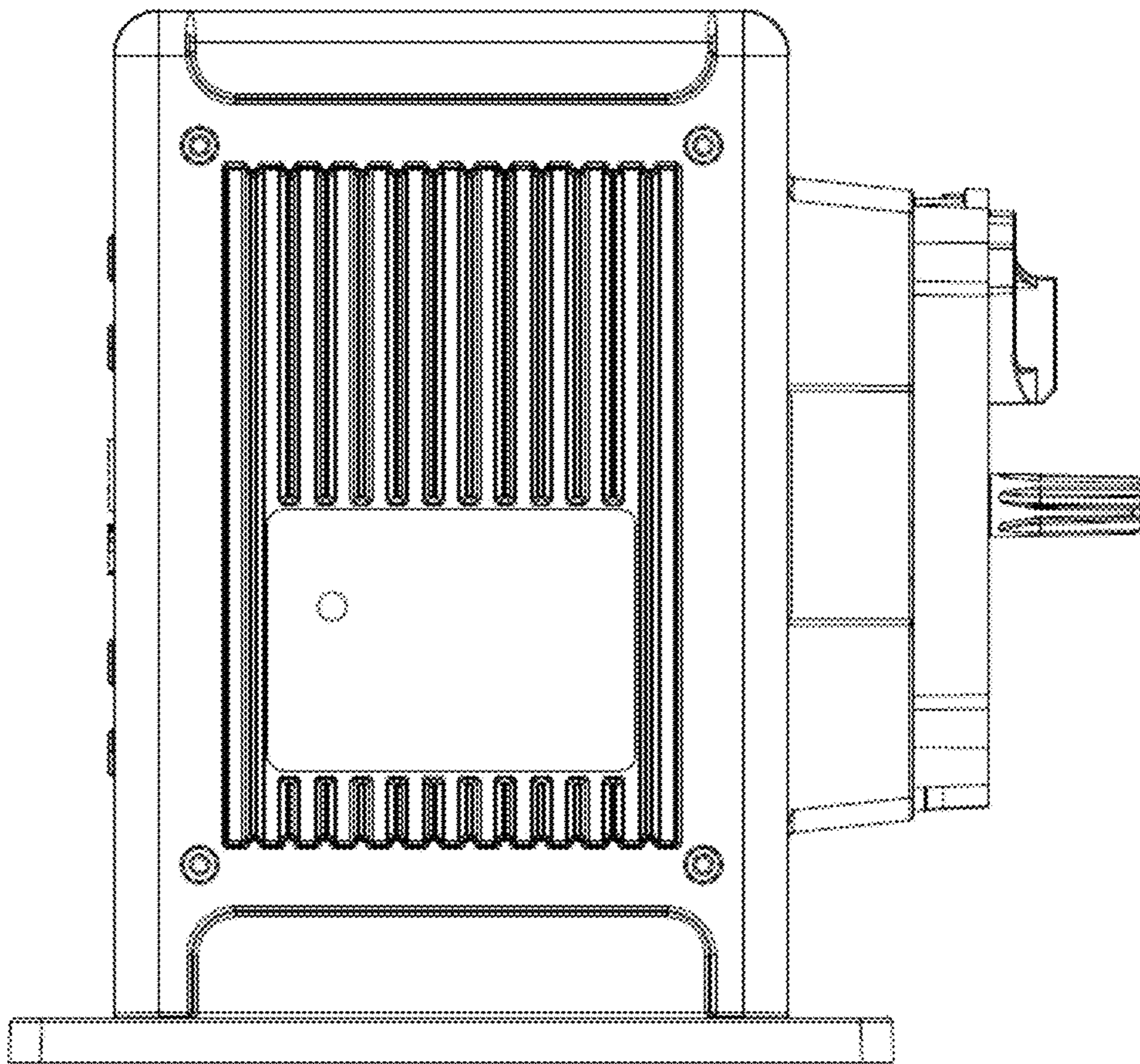


FIG. 3

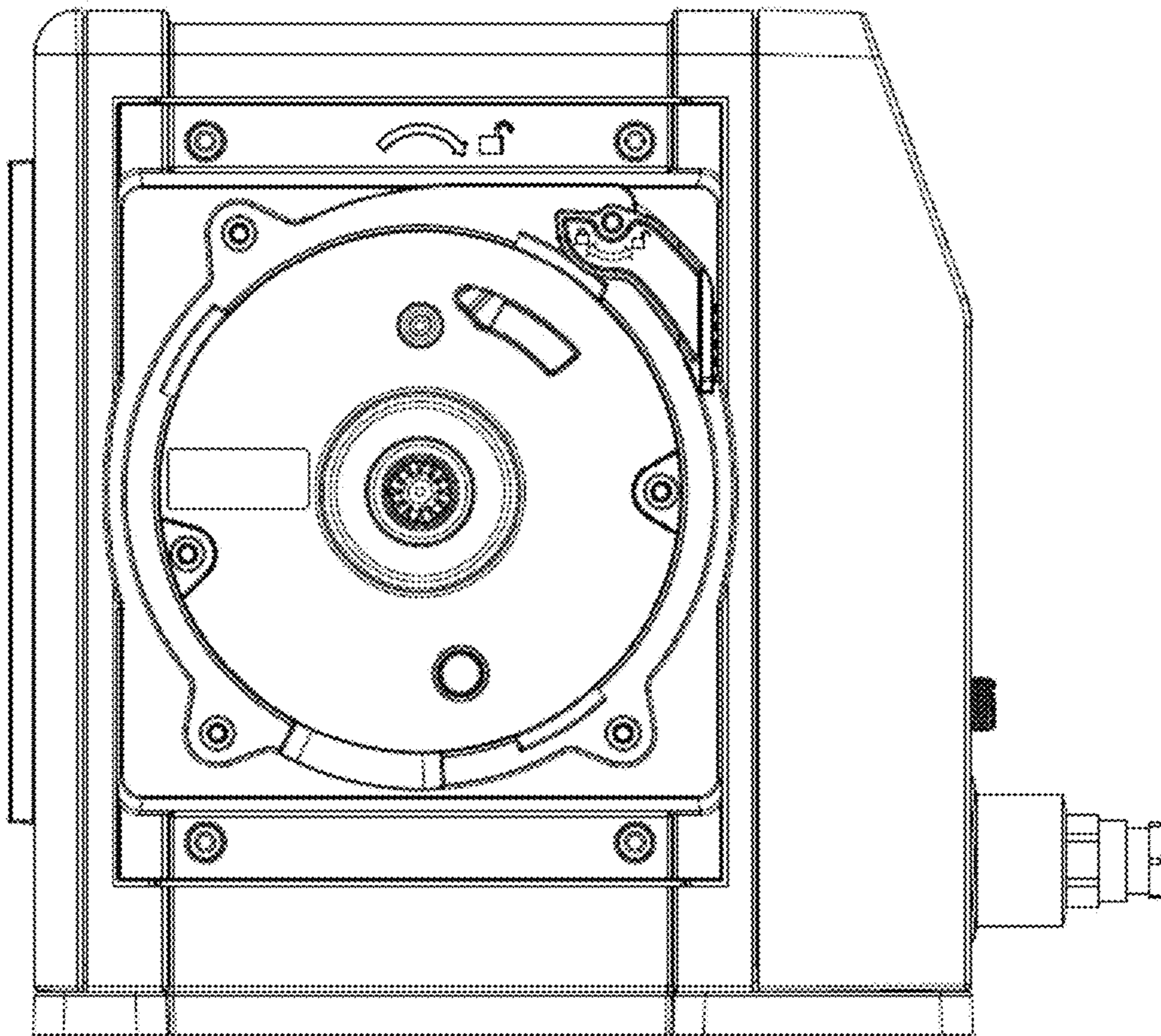


FIG. 4

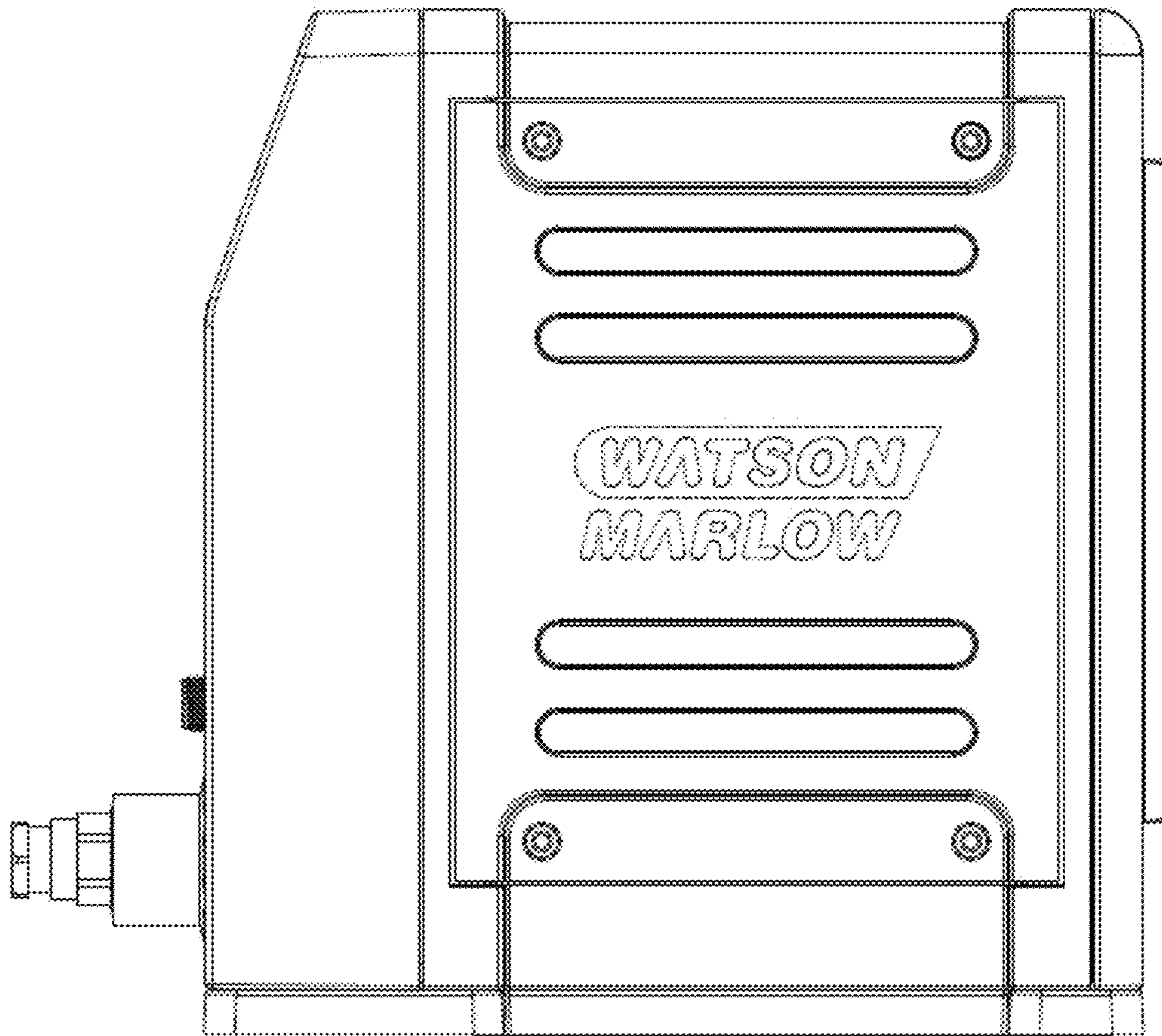


FIG. 5

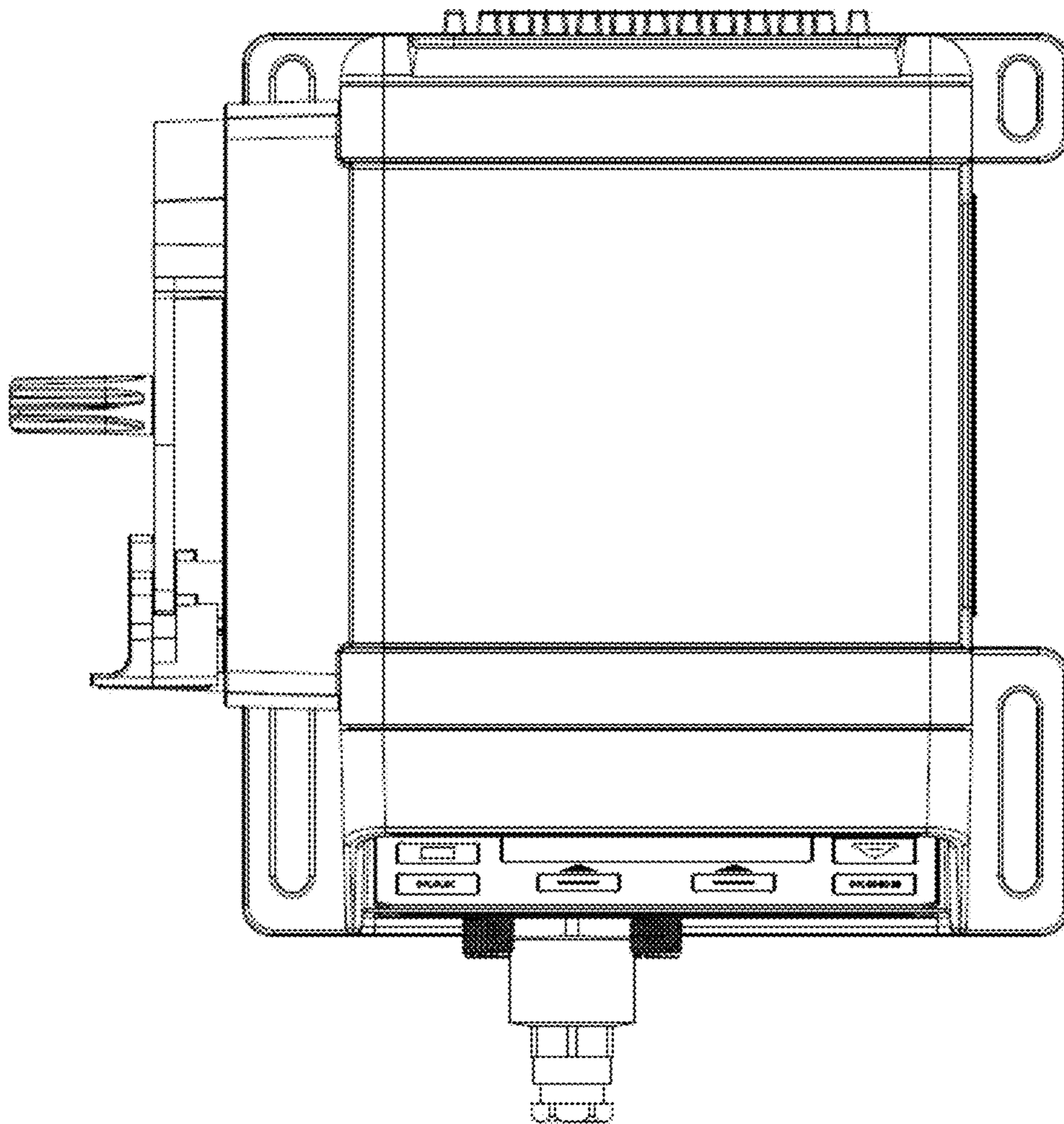


FIG. 6

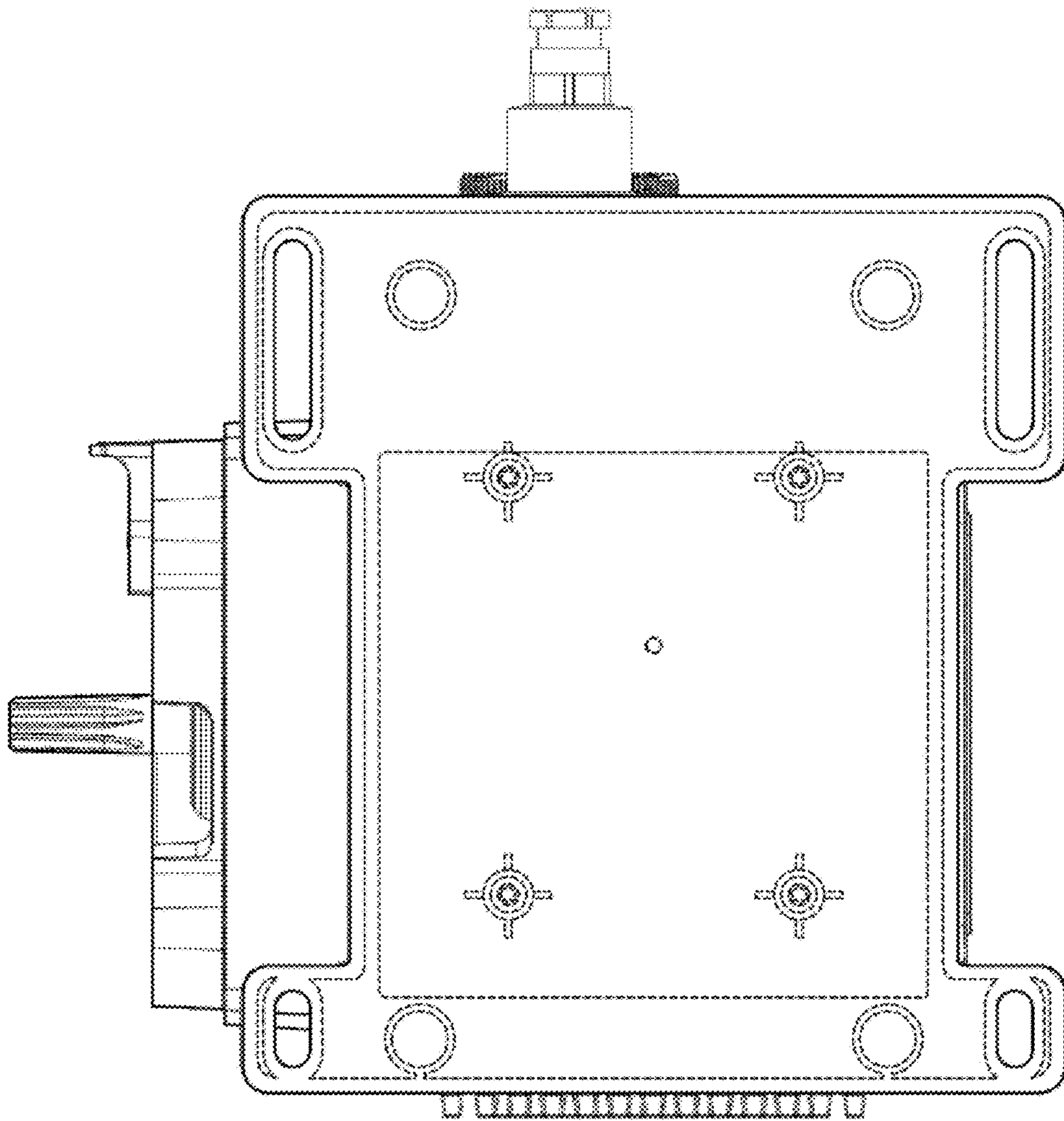


FIG. 7