



US00D766988S

(12) **United States Design Patent**
Crowsley et al.

(10) **Patent No.:** **US D766,988 S**
(45) **Date of Patent:** **** Sep. 20, 2016**

(54) **PUMP CARTRIDGE**

(71) Applicant: **Watson-Marlow Limited**, Cornwall (GB)

(72) Inventors: **David Crowsley**, Cornwall (GB);
Darren Green, Cornwall (GB)

(73) Assignee: **WATSON-MARLOW LIMITED**, Cornwall (GB)

(**) Term: **15 Years**

4,886,431 A	12/1989	Soderquist et al.
5,147,313 A	9/1992	Dikeman
D403,329 S	12/1998	Walker et al.
5,846,061 A	12/1998	Ledebuhr et al.
D498,480 S	11/2004	Tsai
D499,425 S	12/2004	Pirzada
7,001,153 B2	2/2006	McDowell et al.
D518,490 S	4/2006	Pirzada
D558,231 S	12/2007	Vivar et al.
D635,588 S	4/2011	Sprules
8,585,379 B2	11/2013	Ramirez, Jr. et al.
D710,901 S	8/2014	Brokenshire et al.
D730,408 S *	5/2015	Brokenshire D15/7
D735,241 S *	7/2015	Brokenshire D15/7

(21) Appl. No.: **29/527,973**

(22) Filed: **May 22, 2015**

(30) **Foreign Application Priority Data**

Nov. 26, 2014 (EM) 002585166-0001

(51) **LOC (10) Cl.** **15-02**

(52) **U.S. Cl.**
USPC **D15/7**

(58) **Field of Classification Search**
USPC D15/7-9; D23/231, 232, 225; 417/60,
417/235, 265, 321, 355, 358, 363, 359,
417/410.1, 415-416, 405, 900, 476, 477.1;
60/408, 412; 415/140-147; 226/91
CPC F04B 43/12; F04B 43/1253
See application file for complete search history.

(56) **References Cited**

U.S. PATENT DOCUMENTS

2,958,294 A	11/1960	Johnson	
3,756,752 A *	9/1973	Stenner F04B 43/1253 226/91
D236,163 S	7/1975	Manno	
4,496,295 A	1/1985	King	
D277,602 S	2/1985	Benson et al.	
D289,523 S	4/1987	Fussell	
D290,127 S	6/1987	Goldman et al.	
D303,533 S	9/1989	Eberhardt et al.	

FOREIGN PATENT DOCUMENTS

EP	000681333-0001	3/2007
JP	1534046 S	9/2015
JP	1534047 S	9/2015

* cited by examiner

Primary Examiner — Ralf Seifert

(74) *Attorney, Agent, or Firm* — MacMillan, Sobanski & Todd, LLC

(57) **CLAIM**

The ornamental design for a pump cartridge, as shown.

DESCRIPTION

FIG. 1 is a perspective view of a pump cartridge embodying our design.

FIG. 2 is a front side elevational view thereof.

FIG. 3 is a rear side elevational view thereof.

FIG. 4 is a left side elevational view thereof.

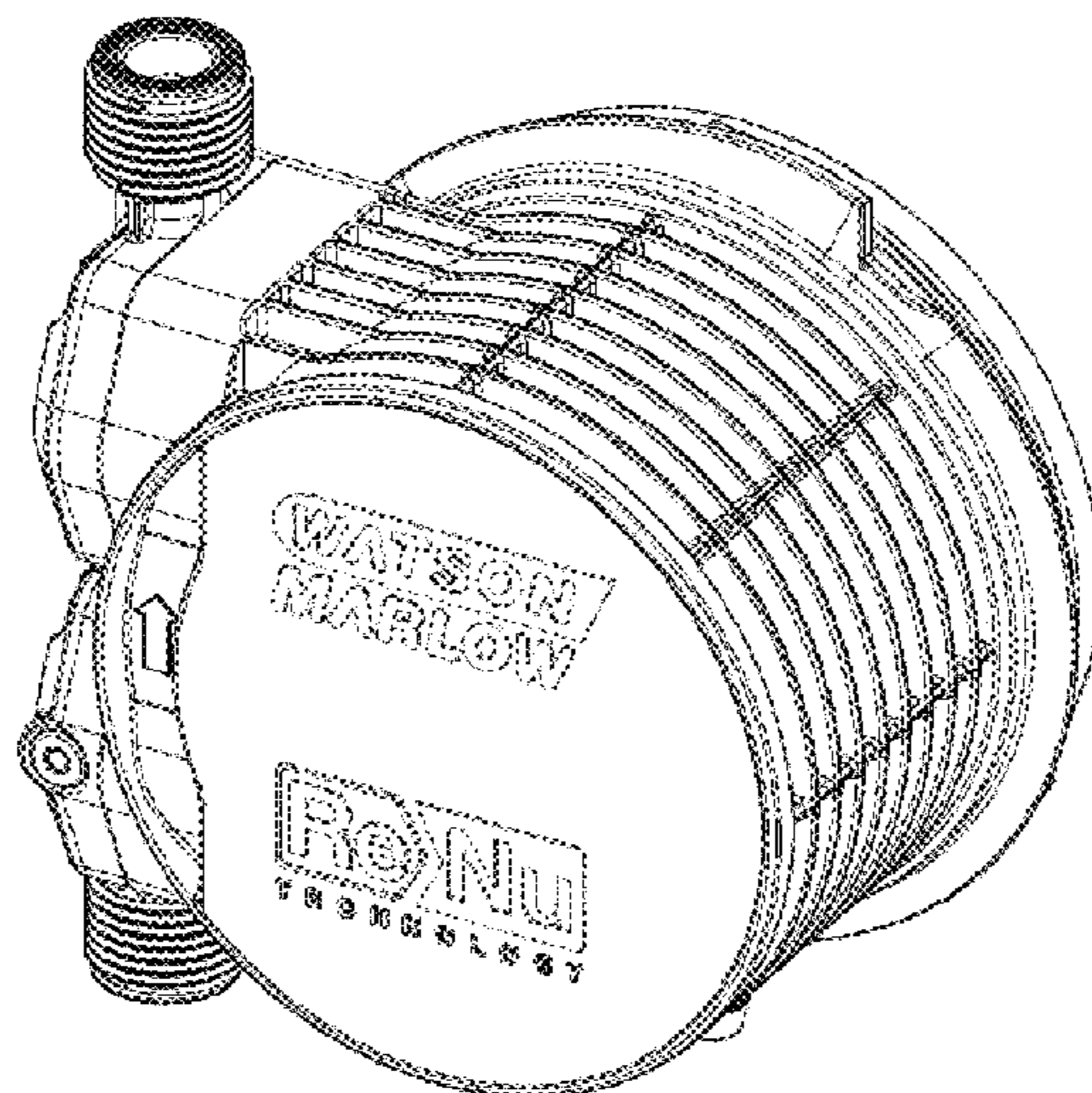
FIG. 5 is a right side elevational view thereof.

FIG. 6 is a top plan view thereof; and,

FIG. 7 is a bottom plan view thereof.

The broken lines are included for the purpose of illustrating portions of the pump cartridge that form no part of the claimed design.

1 Claim, 7 Drawing Sheets



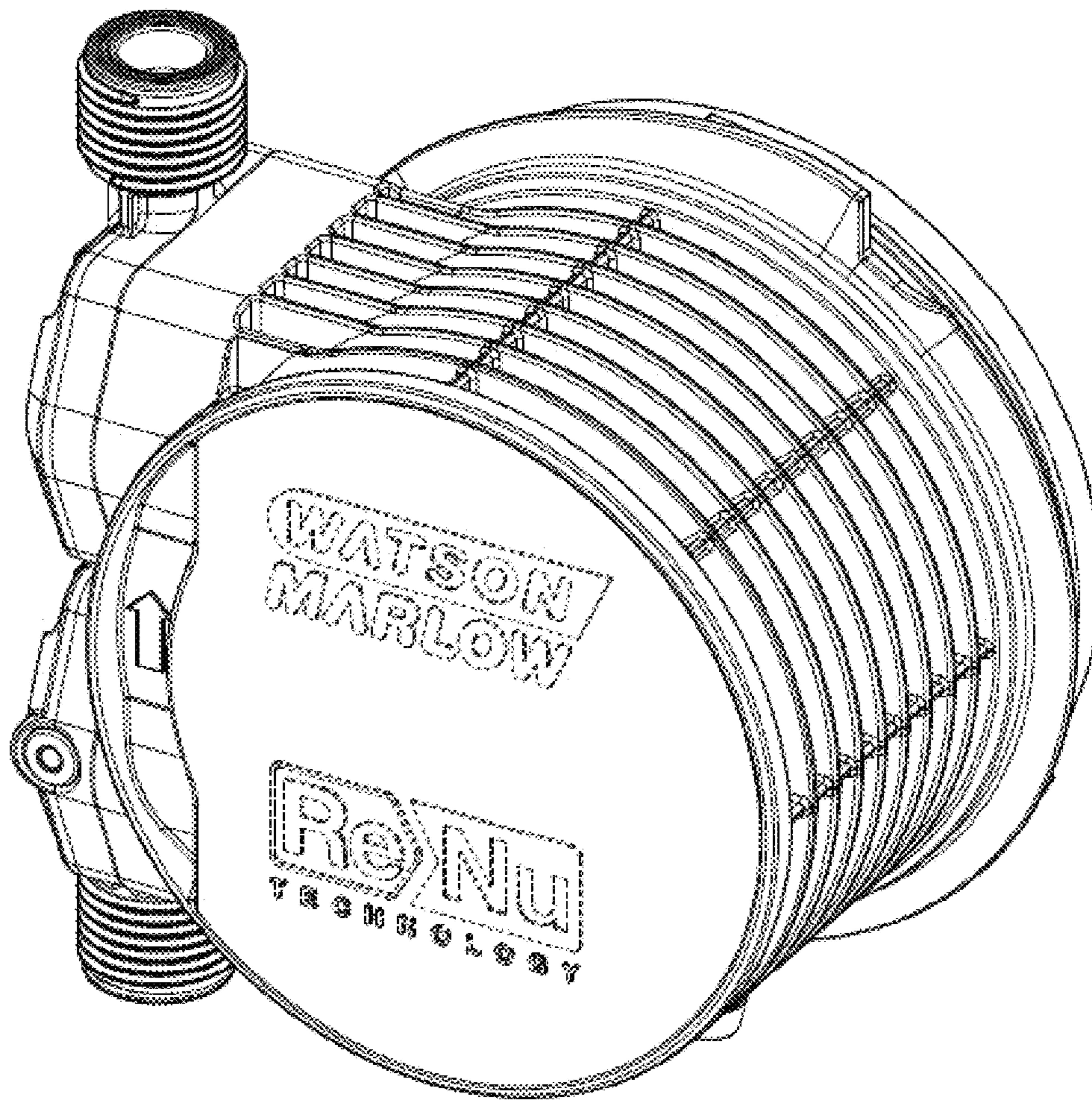


FIG. 1

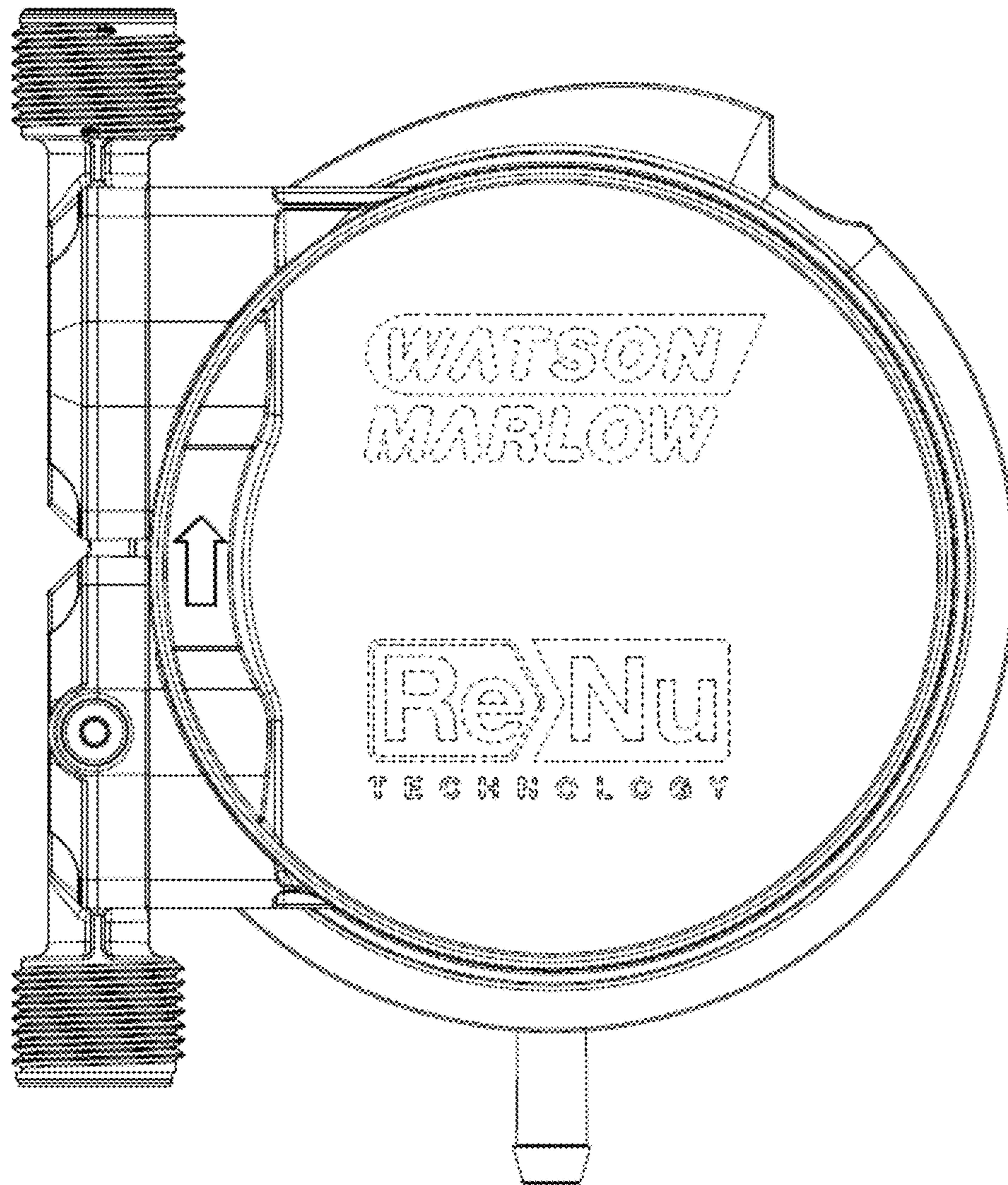


FIG. 2

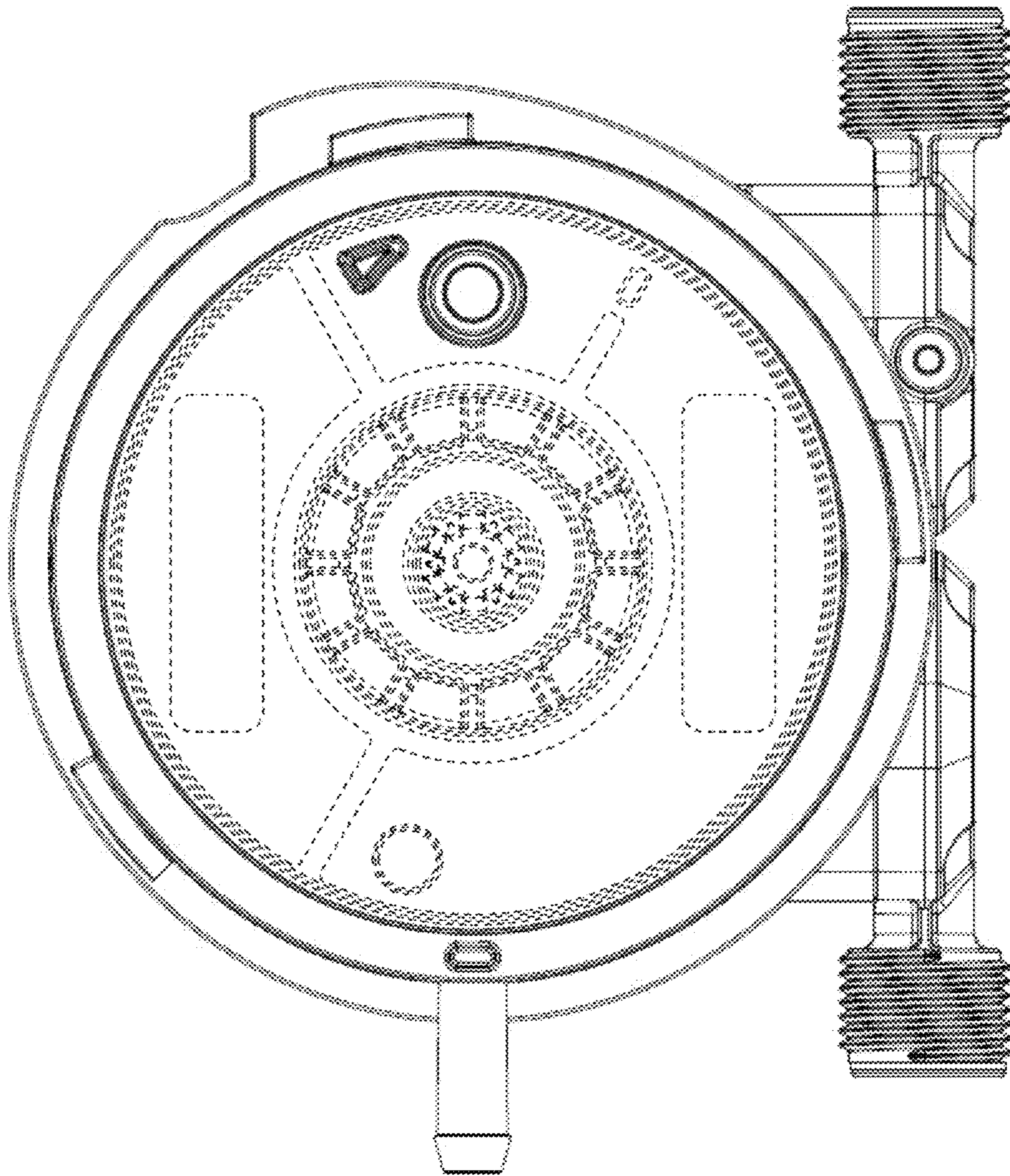


FIG. 3

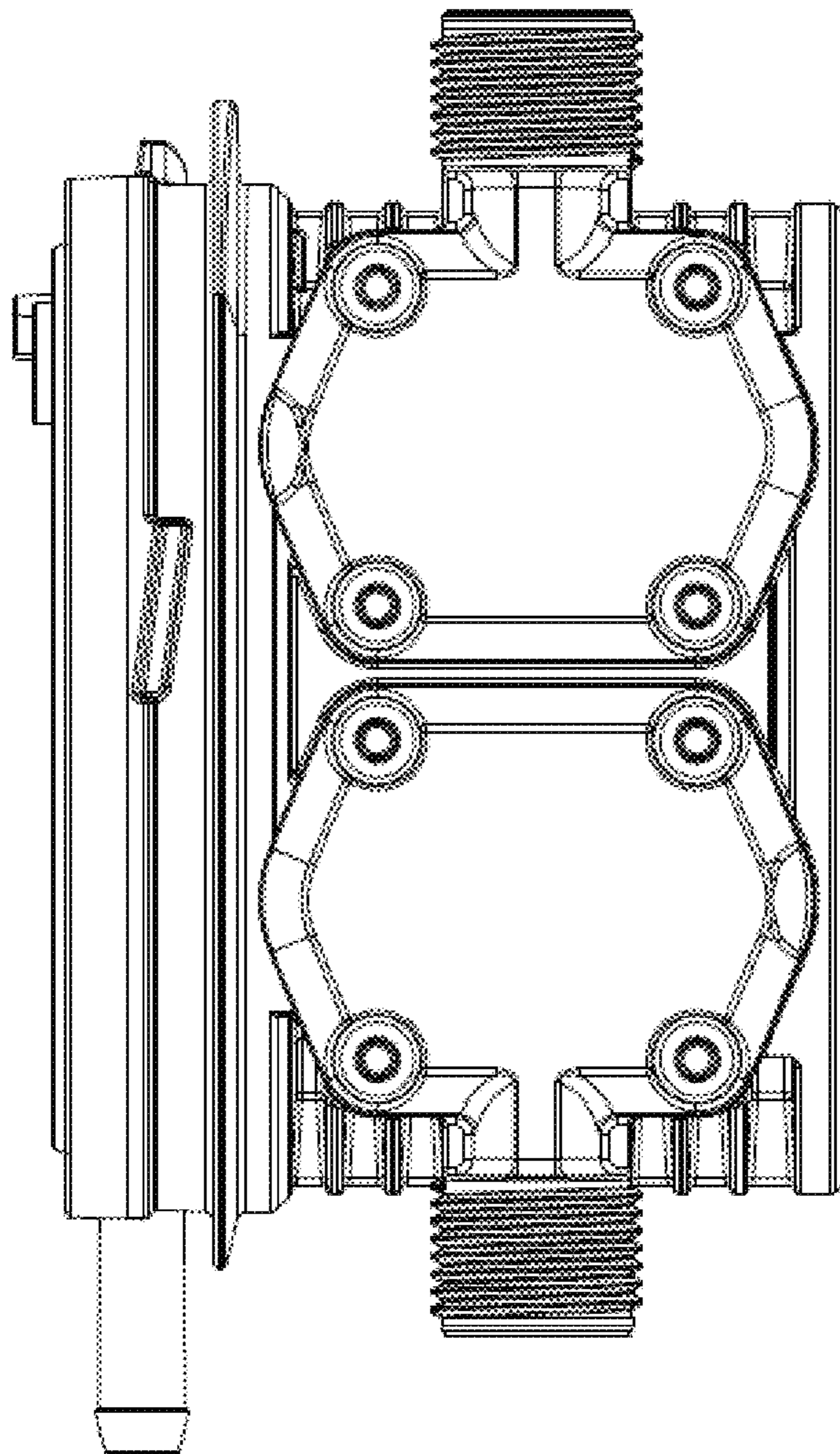


FIG. 4

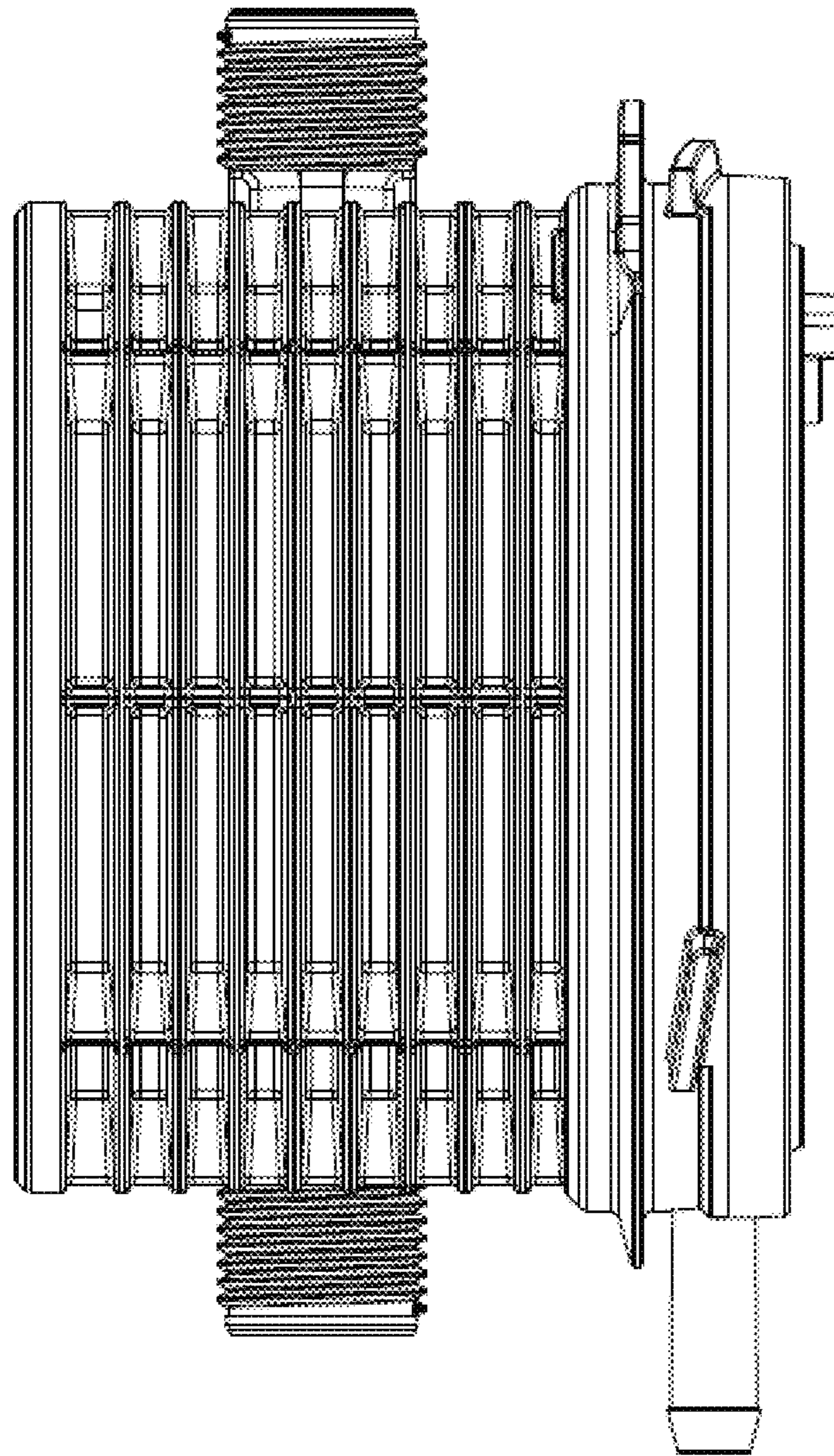


FIG. 5

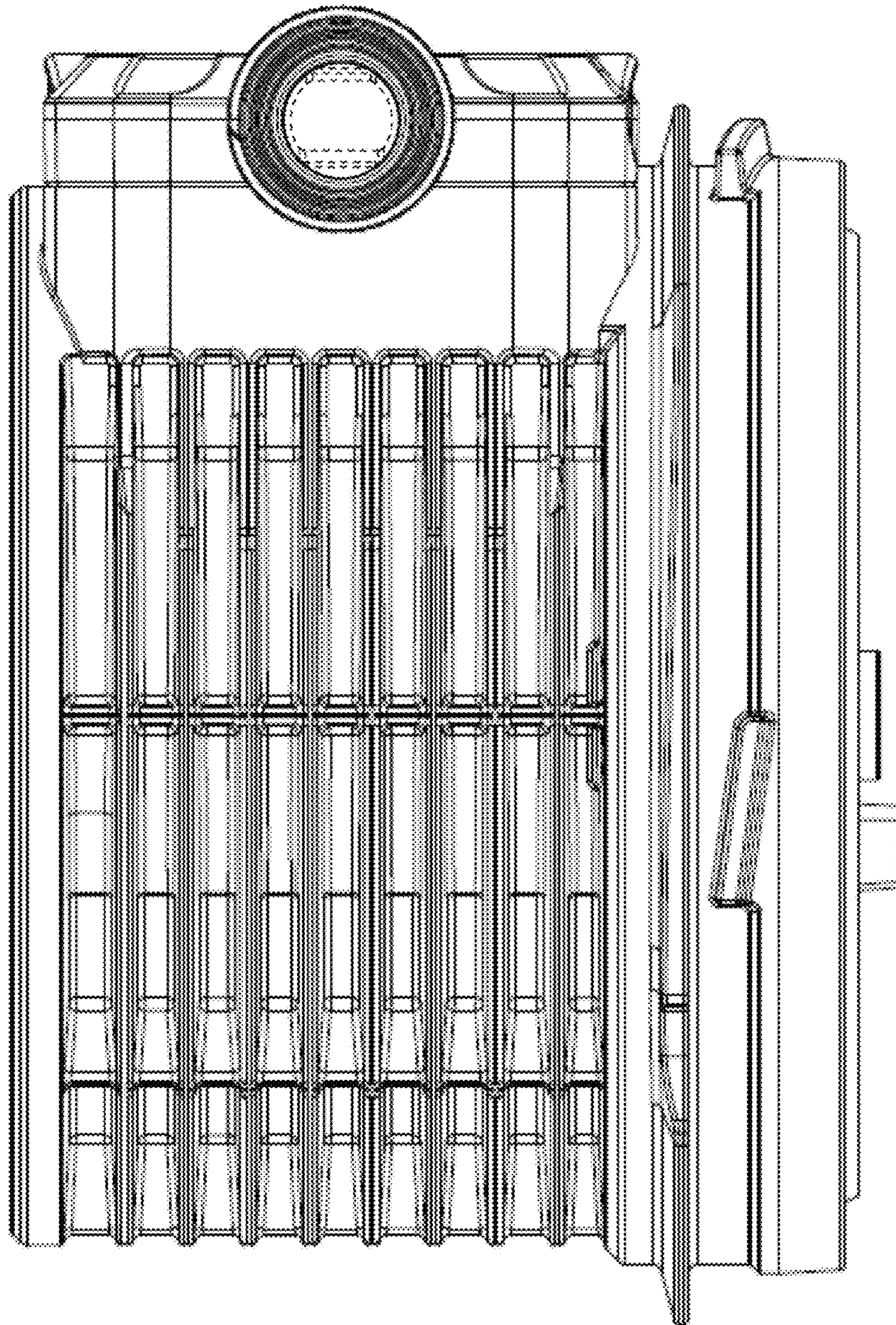


FIG. 6

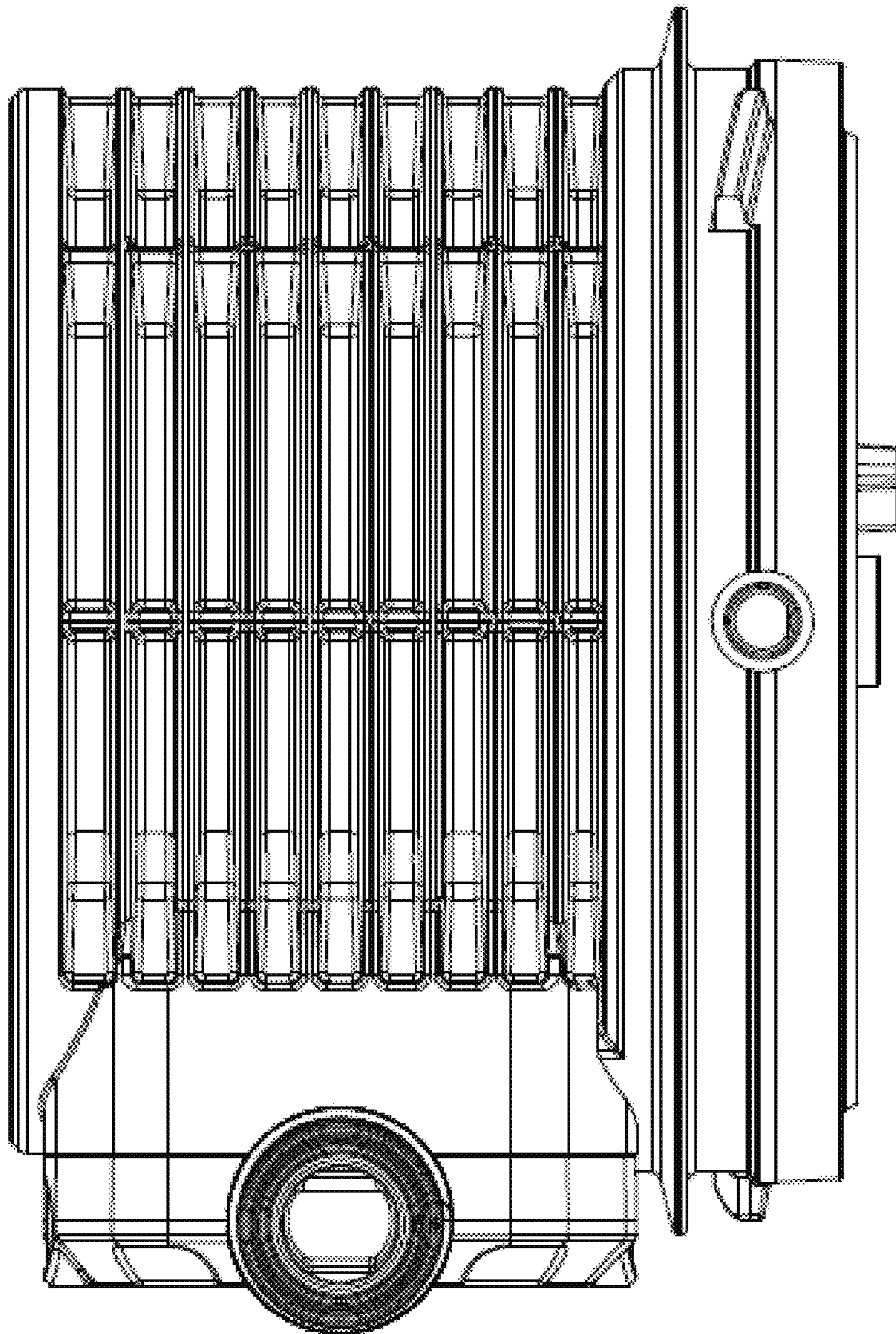


FIG. 7