



US00D766987S

(12) **United States Design Patent**
Takeda et al.

(10) **Patent No.:** **US D766,987 S**
(45) **Date of Patent:** **** Sep. 20, 2016**

(54) **MOLDED COIL FOR CENTRIFUGAL PUMP UNIT**

(71) Applicant: **Kabushiki Kaisha Saginomiya Seisakusho**, Tokyo (JP)

(72) Inventors: **Tsuyoshi Takeda**, Saitama (JP); **Shohei Ozeki**, Saitama (JP); **Shinpei Yagi**, Saitama (JP)

(73) Assignee: **Kabushiki Kaisha Saginomiya Seisakusho**, Tokyo (JP)

(**) Term: **14 Years**

(21) Appl. No.: **29/523,018**

(22) Filed: **Apr. 6, 2015**

(30) **Foreign Application Priority Data**

Oct. 6, 2014 (JP) 2014-022268

(51) **LOC (10) Cl.** **15-02**

(52) **U.S. Cl.**
USPC **D15/7**

(58) **Field of Classification Search**
USPC D15/7-9; D23/231, 232, 225; 417/60, 417/235, 265, 321, 355, 358, 363, 359, 417/410.1, 415-416, 405, 900, 423.7; 60/408, 412; 184/26-37; 415/140-147; 123/495, 509; 137/565.34
CPC F02M 37/04; F02M 37/14
See application file for complete search history.

(56) **References Cited**

U.S. PATENT DOCUMENTS

D484,146 S * 12/2003 Urano D15/7
D498,765 S * 11/2004 Nakazato D10/81
D520,023 S * 5/2006 Goto D15/7

D520,024 S * 5/2006 Chen D15/7
D534,548 S * 1/2007 Urano D15/7
D602,500 S * 10/2009 Tokunaga D15/7
D604,329 S * 11/2009 Matsuki D15/7
D616,903 S * 6/2010 Kimura D15/7
D701,537 S * 3/2014 Ueda D15/9

* cited by examiner

Primary Examiner — Ralf Seifert

(74) *Attorney, Agent, or Firm* — Reising Ethington P.C.

(57) **CLAIM**

We claim the ornament design of a molded coil for centrifugal pump unit, as shown in the attached drawings and described.

DESCRIPTION

FIG. 1 is a front view;
FIG. 2 is a rear view;
FIG. 3 is a right side view;
FIG. 4 is a left side view;
FIG. 5 is a plane view;
FIG. 6 is a bottom view;
FIG. 7 is a perspective view when viewed front and right-side top;
FIG. 8 is a perspective view when viewed rear and left-side top;
FIG. 9 is a perspective view when viewed front and right-side bottom; and,
FIG. 10 is a perspective view when viewed rear and left-side bottom.

This article is a molded coil used for a centrifugal pump unit, having lead wires connected to coils mounted therein. The molded coil is included in the centrifugal pump unit further having a pump body having pipes for connection preliminarily, wherein the pump body is mounted on the molded coil.

1 Claim, 5 Drawing Sheets

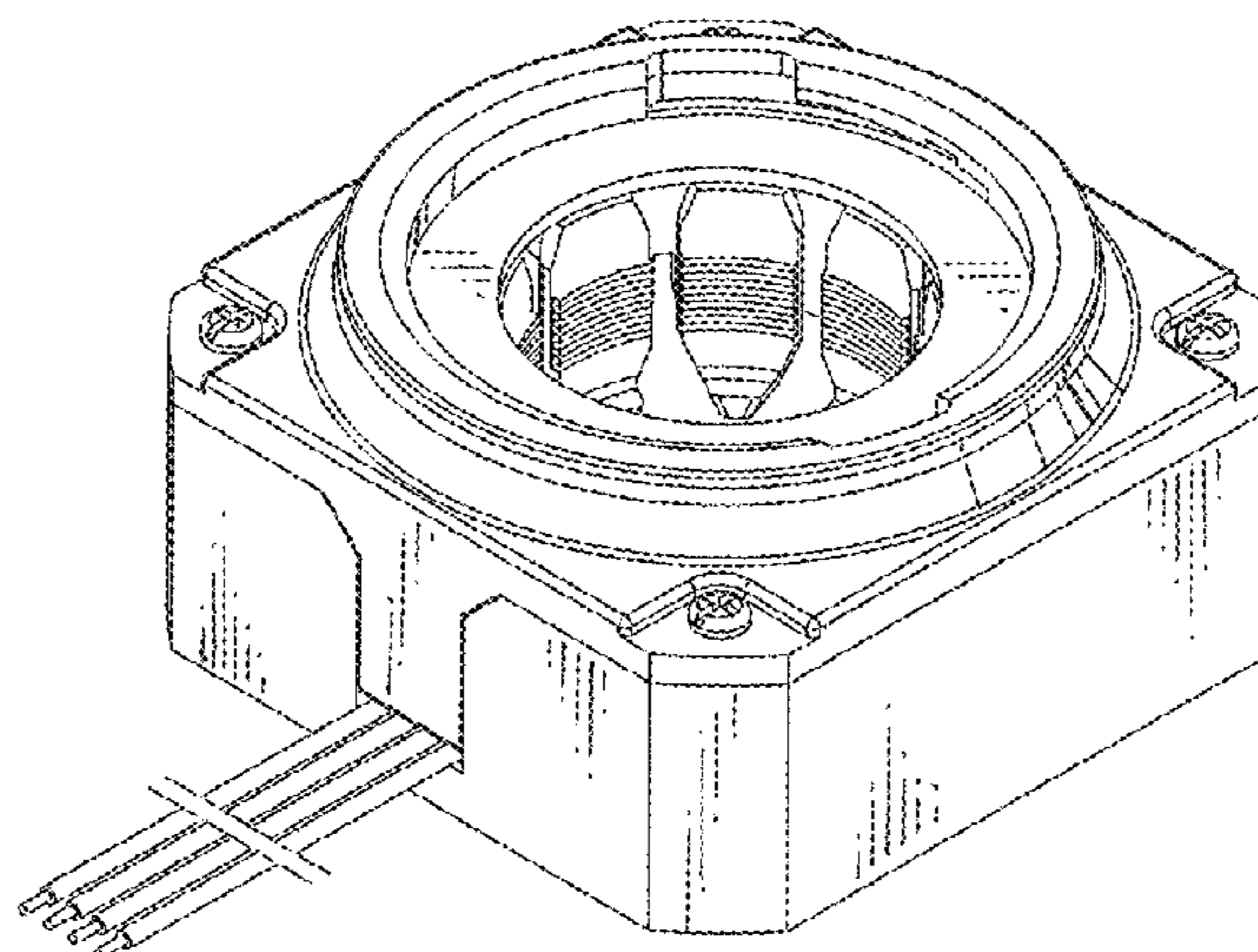


FIG. 1

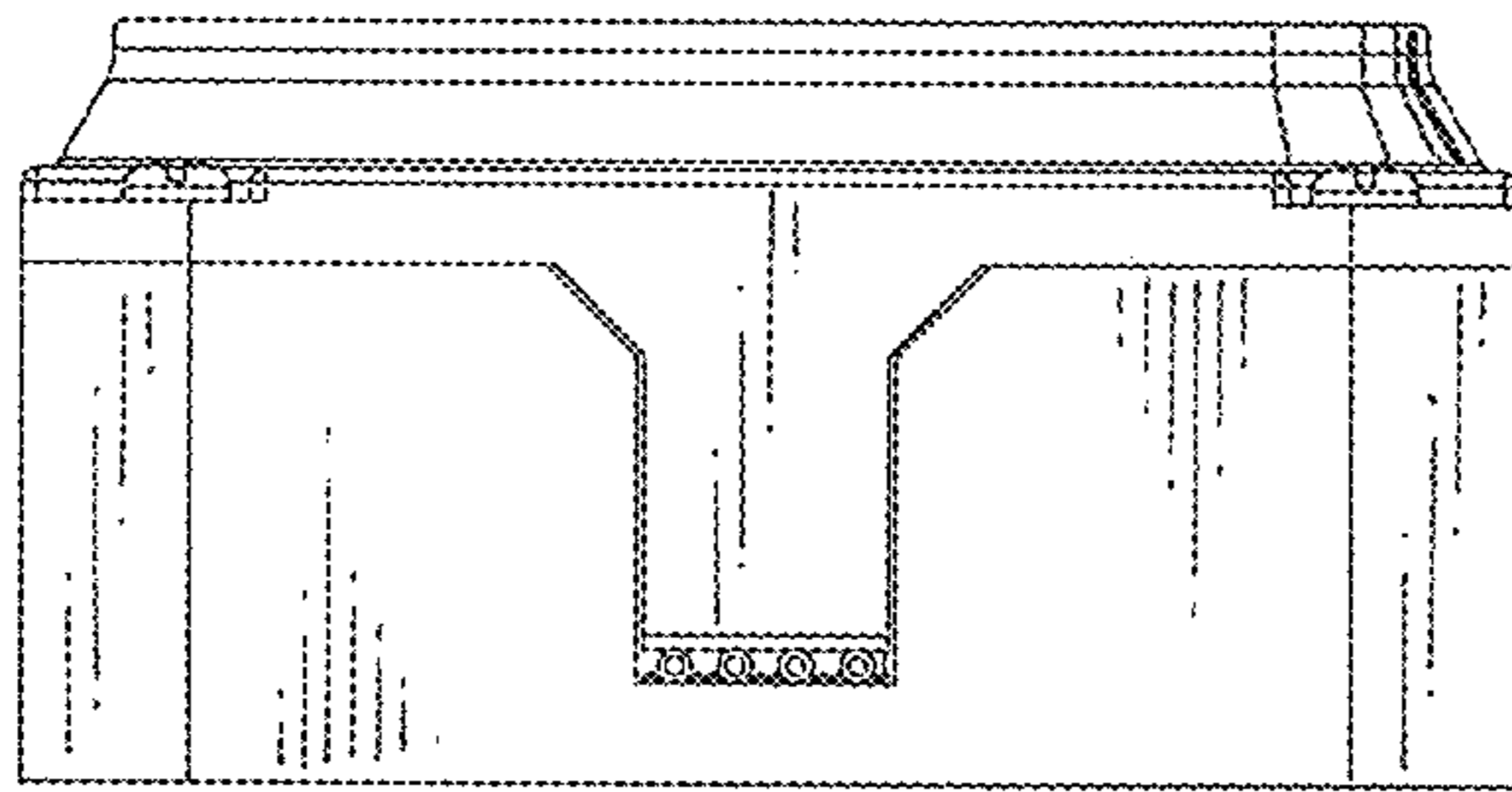


FIG. 2

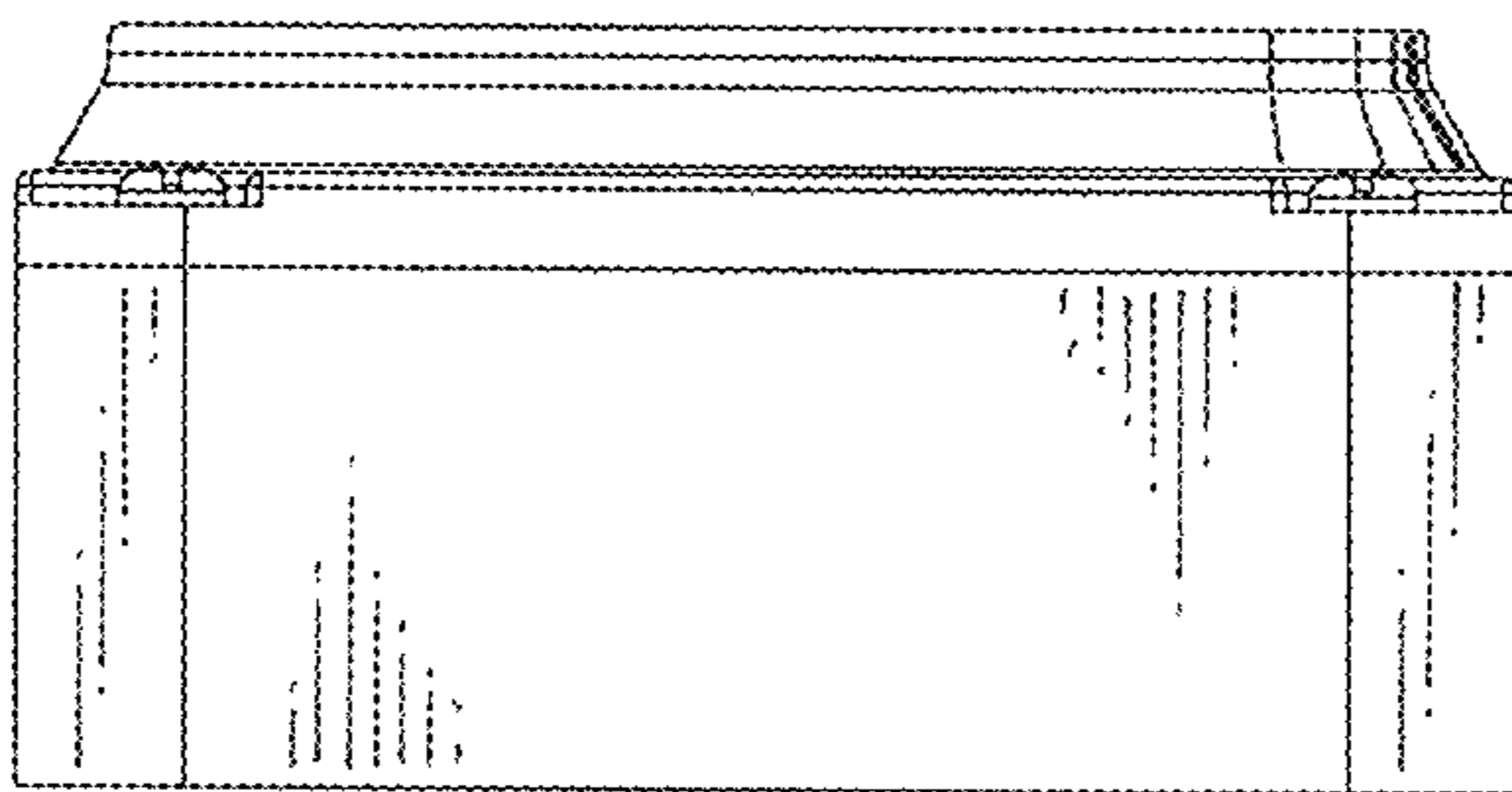


FIG. 3

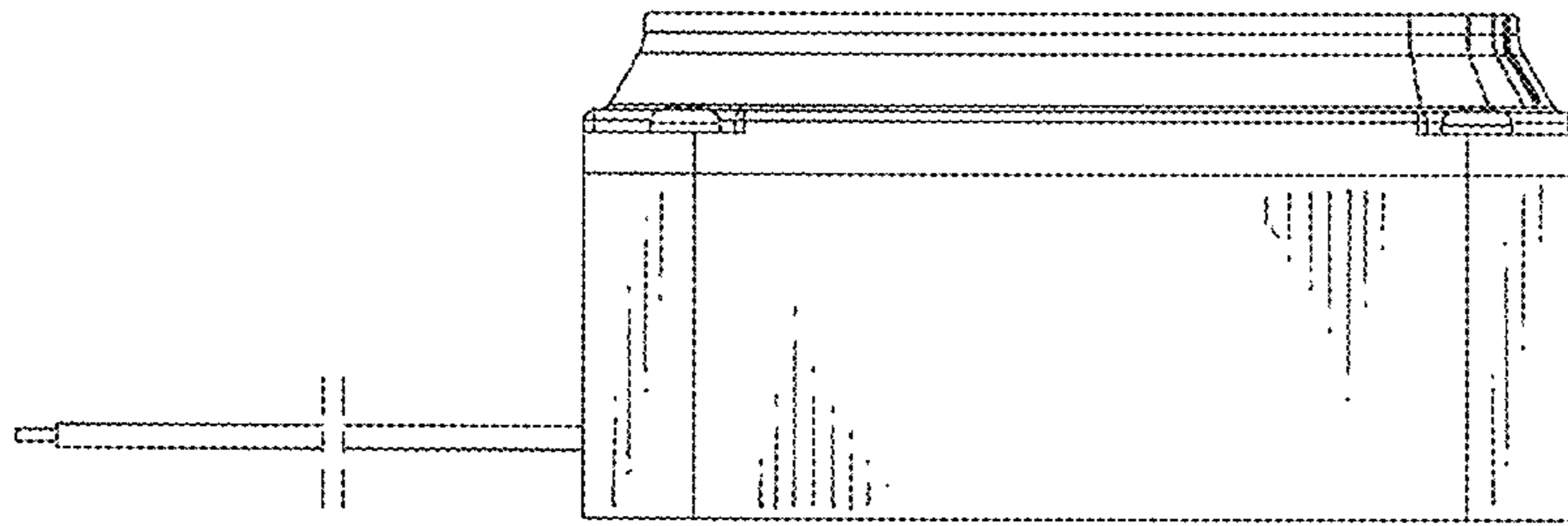


FIG. 4

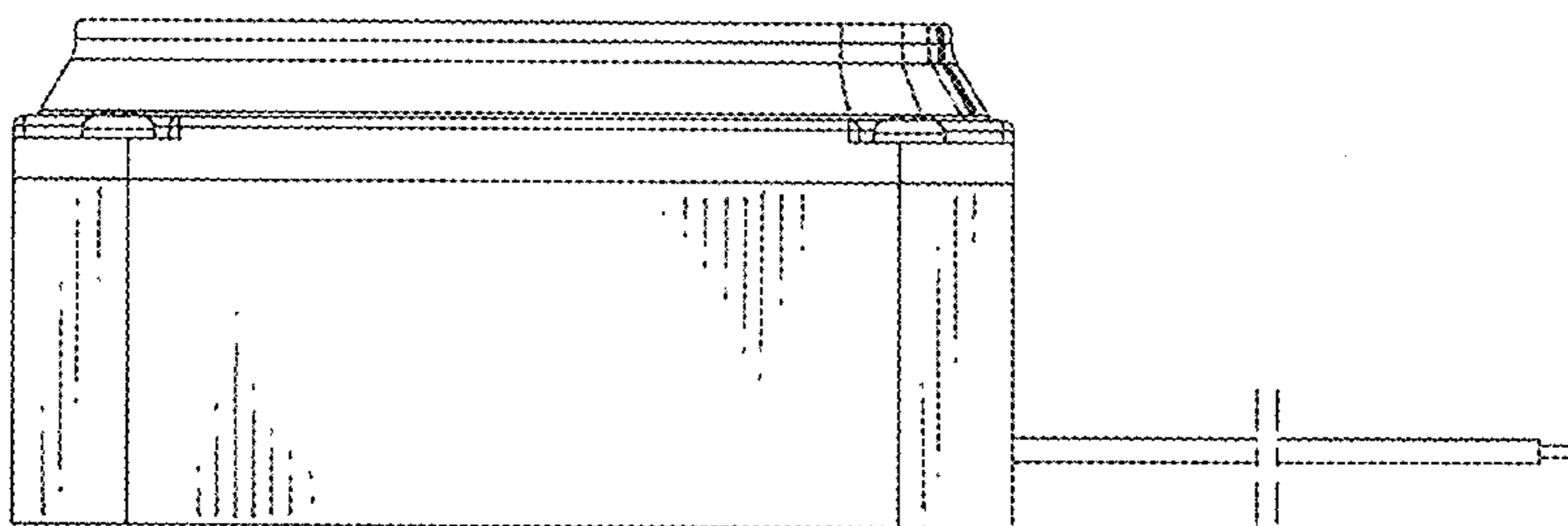


FIG. 5

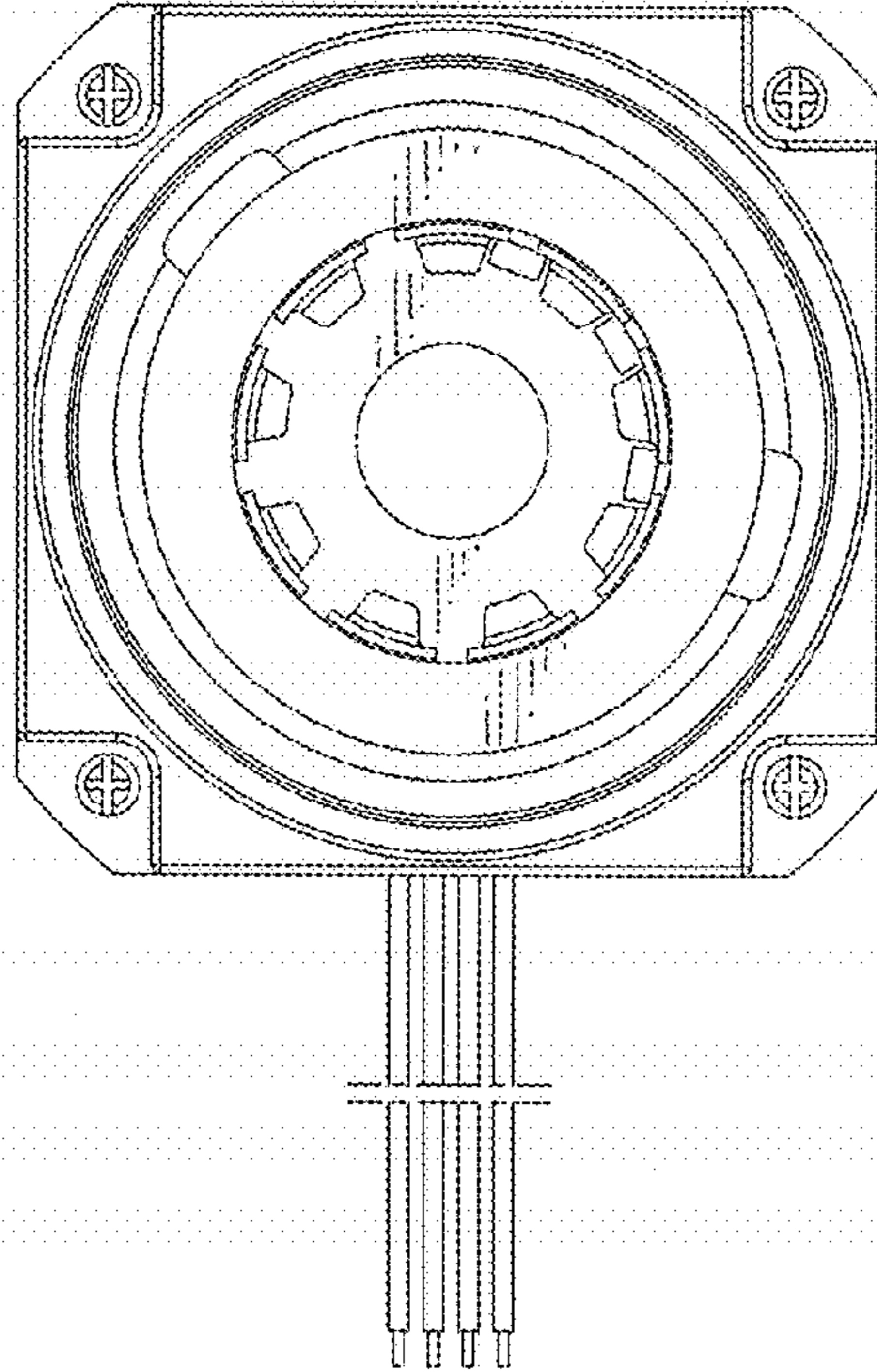


FIG. 6

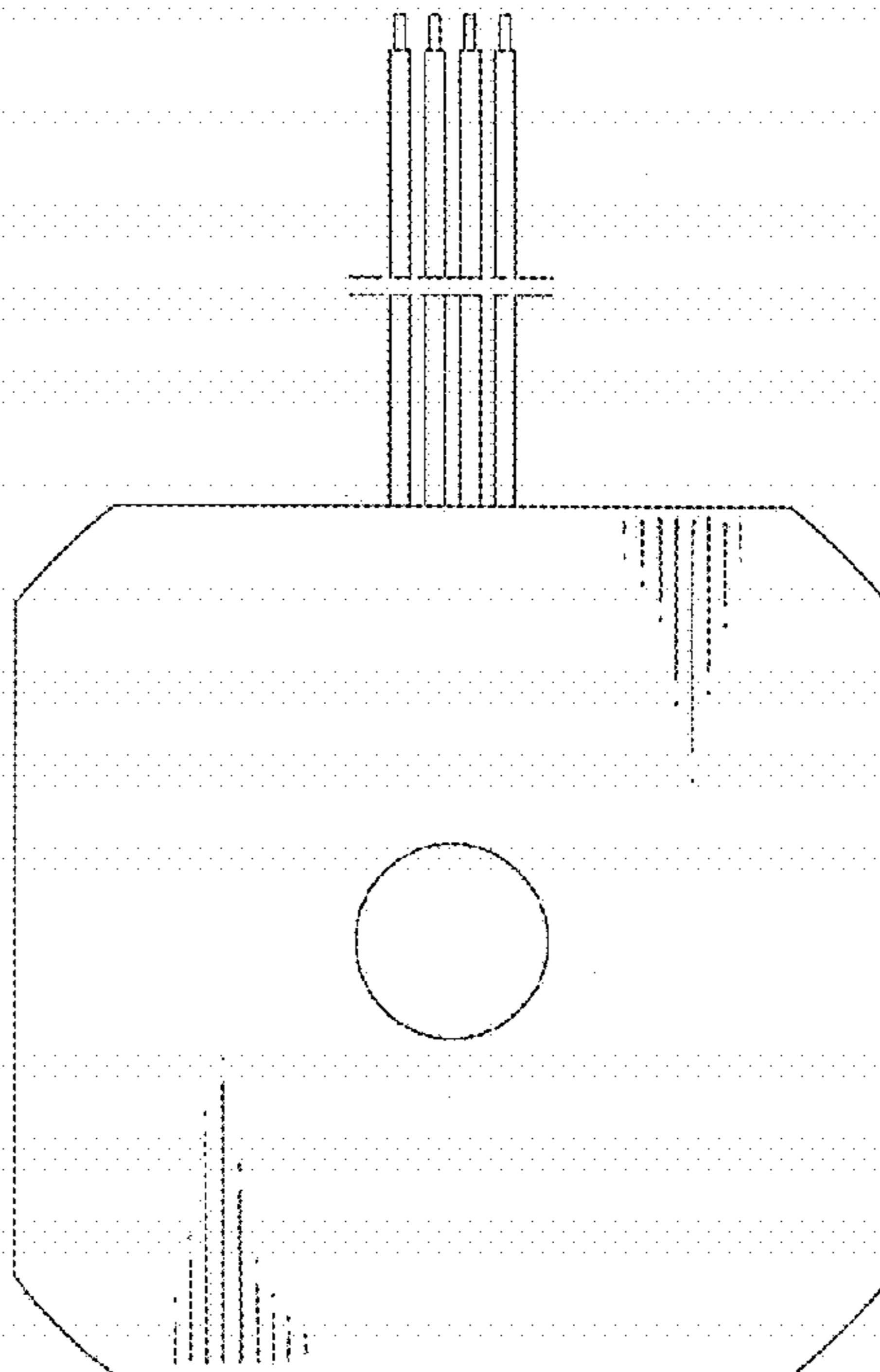


FIG. 7

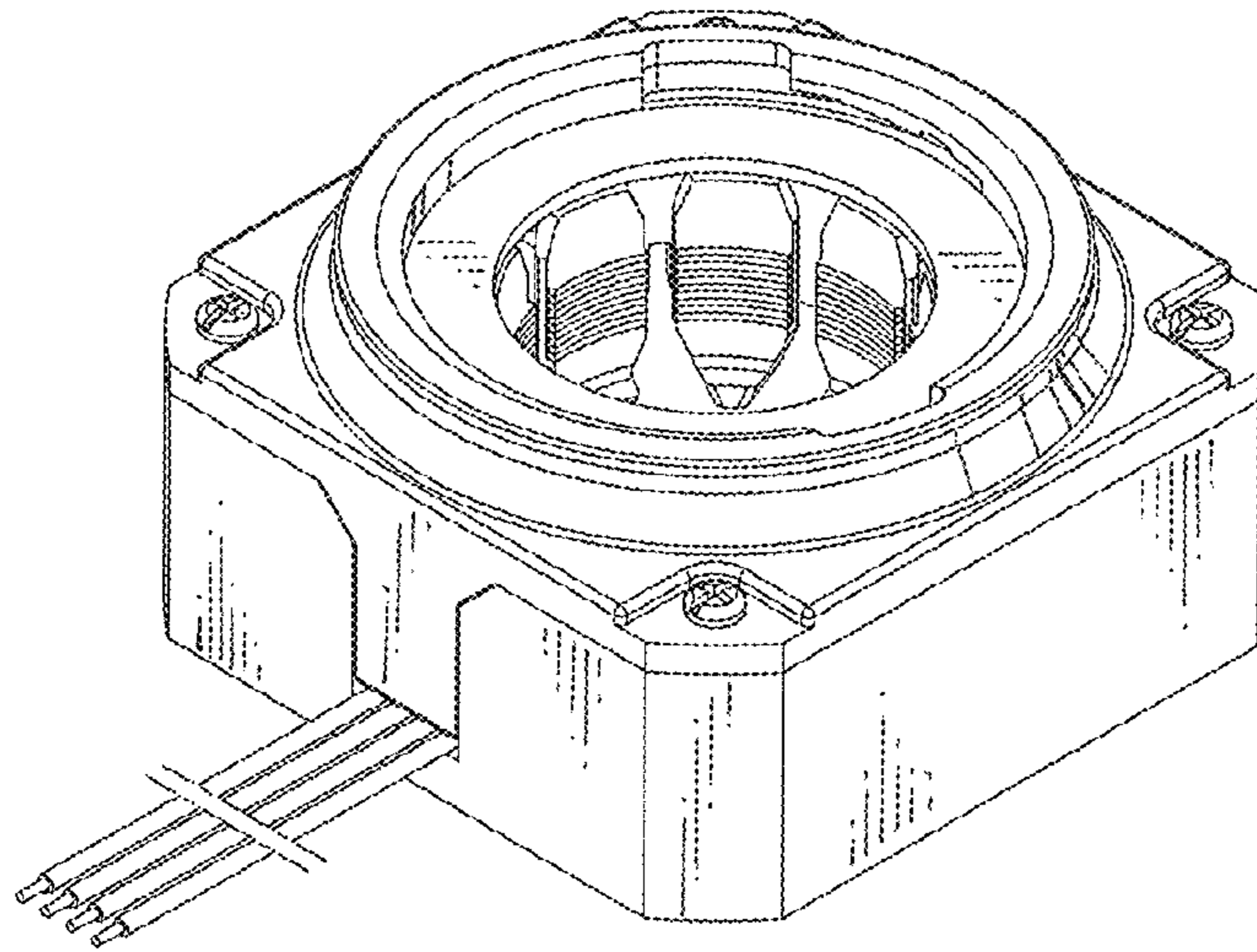


FIG. 8

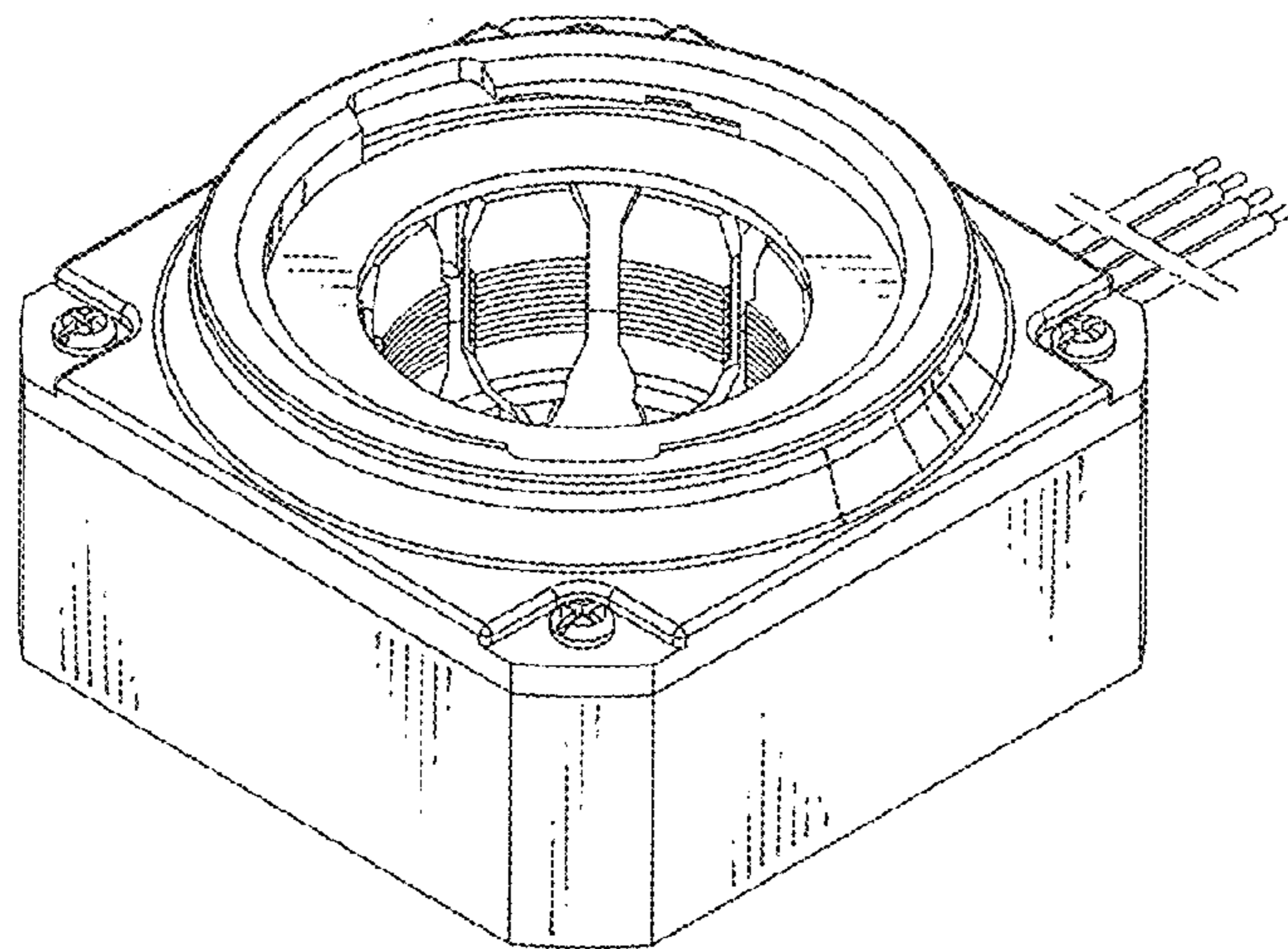


FIG. 9

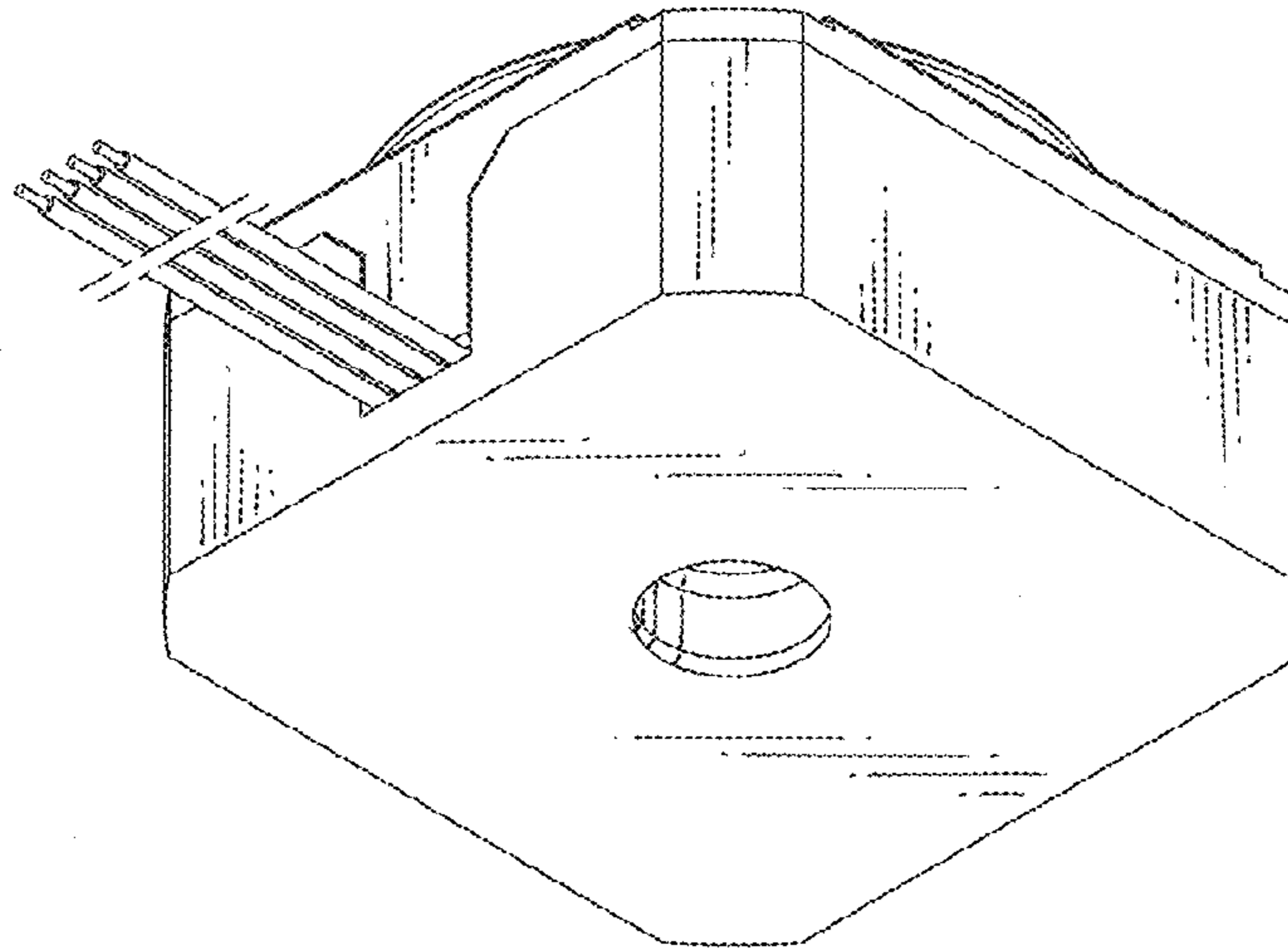


FIG. 10

