



US00D766973S

(12) **United States Design Patent**
Yuk et al.

(10) **Patent No.:** **US D766,973 S**

(45) **Date of Patent:** **** Sep. 20, 2016**

(54) **DISPLAY SCREEN OR PORTION THEREOF WITH ICON**

(71) Applicant: **Samsung Electronics Co., Ltd.**,
Suwon-si (KR)

(72) Inventors: **Seungju Yuk**, Seoul (KR); **June-Seok Kim**, Seoul (KR); **Yongchae Jung**, Seoul (KR)

(73) Assignee: **Samsung Electronics Co., Ltd.**,
Suwon-si (KR)

(**) Term: **14 Years**

(21) Appl. No.: **29/496,157**

(22) Filed: **Jul. 10, 2014**

(30) **Foreign Application Priority Data**

Mar. 26, 2014 (KR) 30-2014-0015229

(51) **LOC (10) Cl.** **14-04**

(52) **U.S. Cl.**
USPC **D14/489**

(58) **Field of Classification Search**
USPC D14/485-495
CPC ... H04N 1/00424; G06T 13/80; G06T 15/02;
G06F 3/04817; G06F 3/0481; G06F 17/50;
G06F 17/246; G06F 17/24; G06F 17/243;
G06F 17/30115; G06F 3/0484; G11B 19/025;
G05B 19/418; H04M 1/72519
See application file for complete search history.

(56) **References Cited**

U.S. PATENT DOCUMENTS

D79,292 S * 8/1929 Gruen D10/1
5,608,694 A * 3/1997 Grimm G04B 17/285
368/127
6,275,450 B1 * 8/2001 Makiba G04B 19/06
368/223
D527,668 S * 9/2006 Calvani D10/126
D548,625 S * 8/2007 Schoepfer D10/2
D574,260 S * 8/2008 Grotell D10/30

D600,705 S * 9/2009 LaManna D14/492
D620,382 S * 7/2010 Hegi D10/126
D637,197 S * 5/2011 Ray D14/486
D656,052 S * 3/2012 Bode D10/126
D677,272 S * 3/2013 Phelan D14/491
D687,060 S * 7/2013 Daniel D14/489
D699,746 S * 2/2014 Pearson D14/488
D702,252 S * 4/2014 Kotler D14/487
D704,734 S * 5/2014 Wafapoor D14/489
D706,800 S * 6/2014 Edwards D14/486
D721,386 S * 1/2015 Tsuda D14/489
D721,727 S * 1/2015 Koehn D14/488
D726,160 S * 4/2015 Chang D14/218
D729,819 S * 5/2015 Beaty D14/485
D740,301 S * 10/2015 Soegiono D14/485
D741,886 S * 10/2015 Daniel D14/485
D745,053 S * 12/2015 Jeon D14/492
2006/0140057 A1 * 6/2006 Hirano G04B 19/241
368/28
2010/0192105 A1 * 7/2010 Kim G06F 3/0488
715/834
2013/0275919 A1 * 10/2013 Kamath G06F 3/04842
715/846

* cited by examiner

Primary Examiner — Barbara Fox

Assistant Examiner — Dana K Weiland

(74) *Attorney, Agent, or Firm* — NSIP Law

(57) **CLAIM**

We claim the ornamental design for a display screen or portion thereof with icon, as shown and described.

DESCRIPTION

FIG. 1 is a front view of a display screen or portion thereof with icon showing our new design;

FIG. 2 is another front view of a second embodiment thereof;

FIG. 3 is a front view of the icon of FIG. 1 shown on a mobile terminal and full display screen; and,

FIG. 4 is a front view of the icon of FIG. 2 shown on a mobile terminal and full display screen.

The dot-dash broken lines in FIGS. 1 and 2 represent a boundary and form no part of the claimed design.

The broken line showing the mobile terminal and the full display screen in FIGS. 3 and 4 are for environmental purposes and form no part of the claimed design.

1 Claim, 4 Drawing Sheets

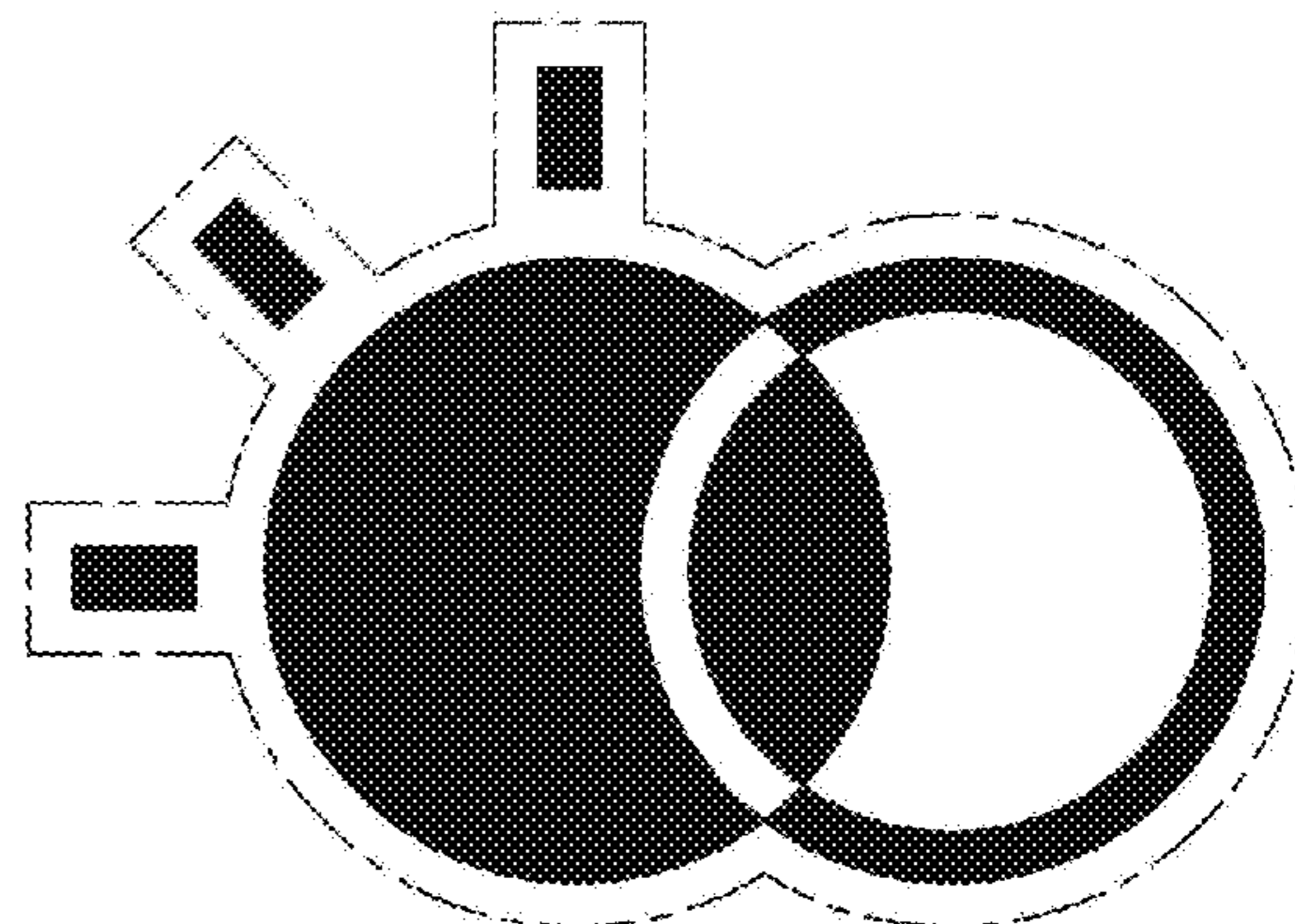
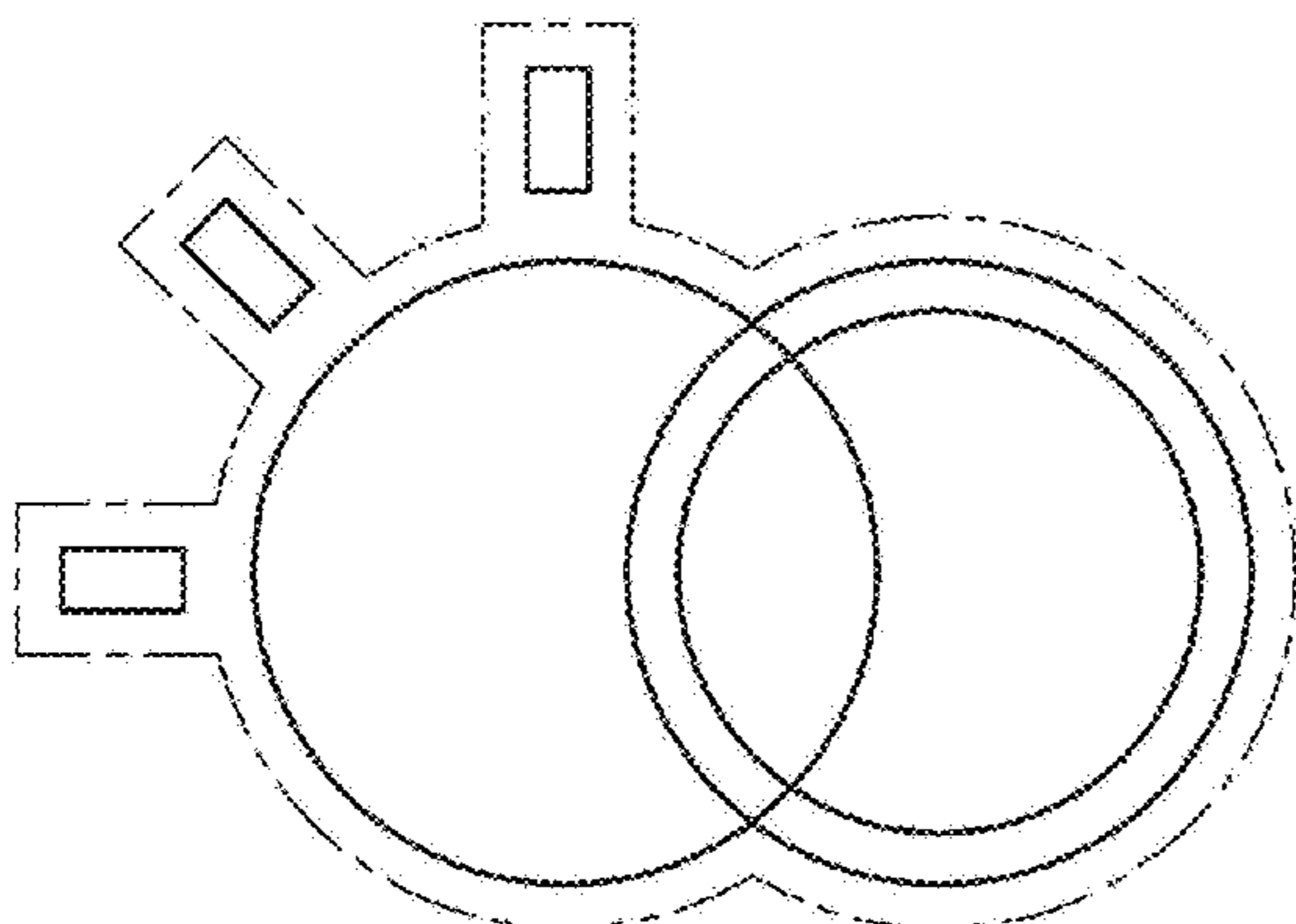


FIG. 1

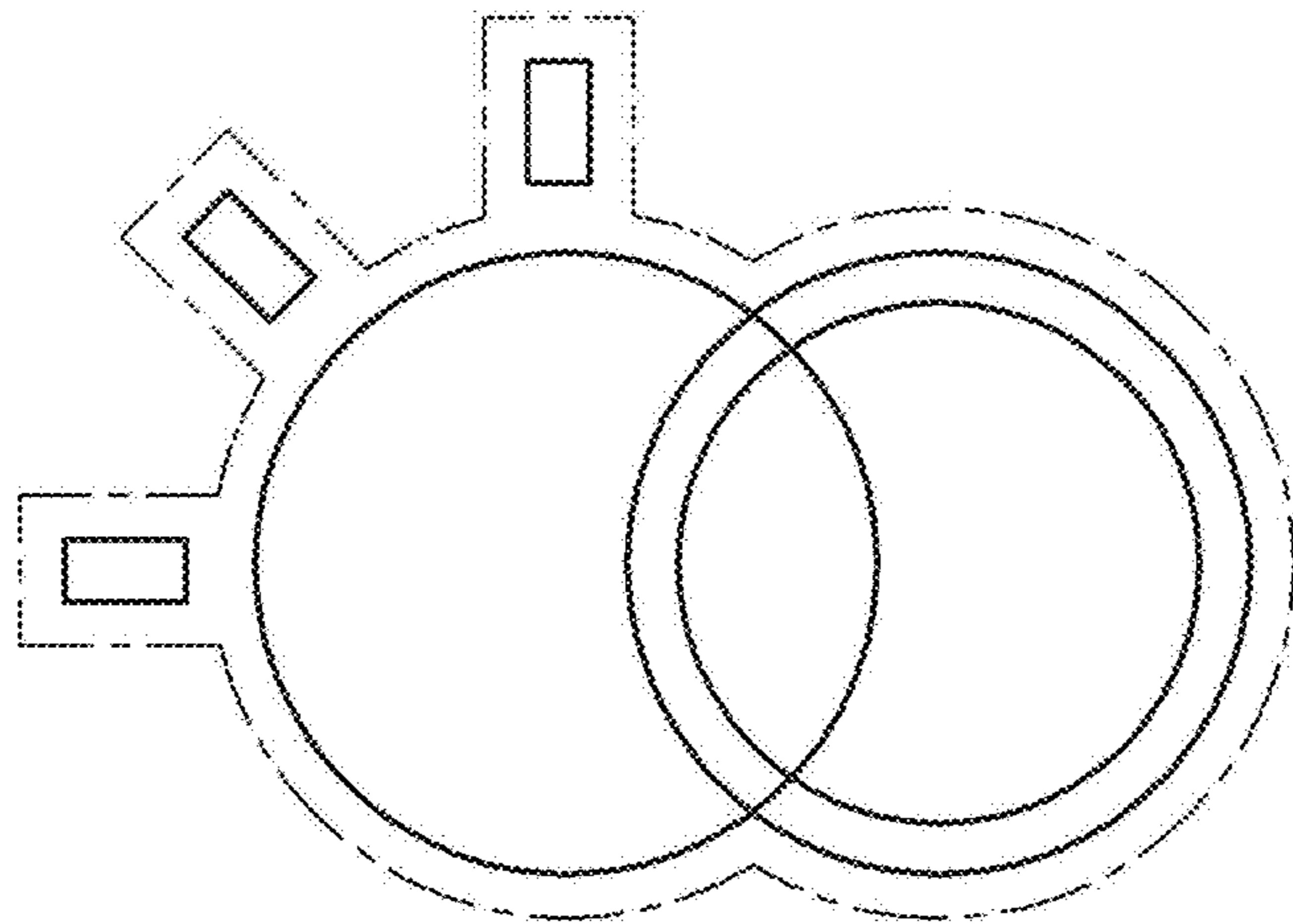


FIG. 2

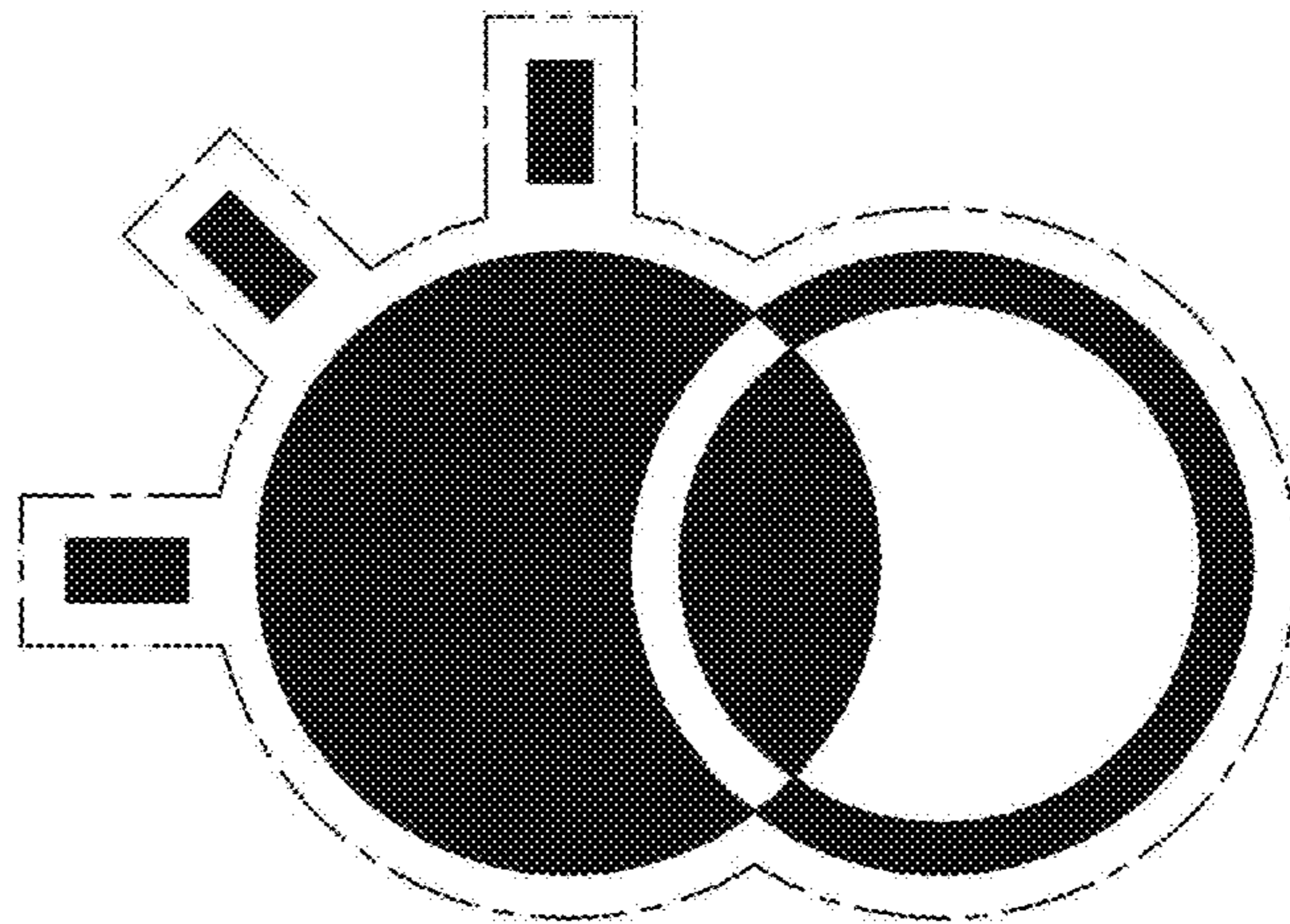


FIG. 3

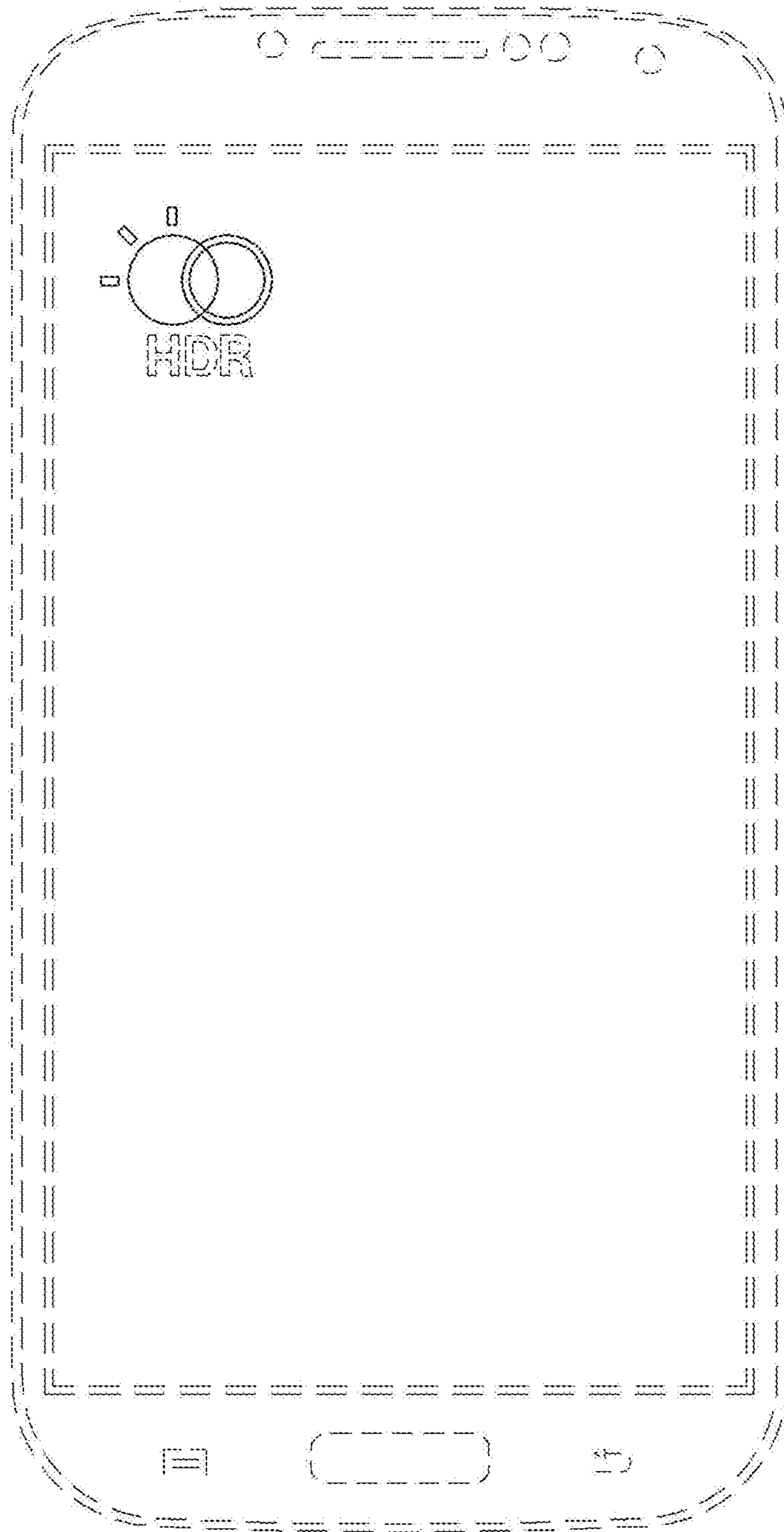


FIG. 4

