



US00D766951S

(12) **United States Design Patent**
Wang et al.

(10) **Patent No.:** **US D766,951 S**
(45) **Date of Patent:** **** Sep. 20, 2016**

- (54) **DISPLAY SCREEN WITH A GRAPHICAL USER INTERFACE**
- (71) Applicants: **Beijing Qihoo Technology Co. Ltd,** Beijing (CN); **Qizhi Software (Beijing) Co. Ltd,** Beijing (CN)
- (72) Inventors: **Dongbin Wang,** Beijing (CN); **Hui Cao,** Beijing (CN)
- (73) Assignees: **Beijing Qihoo Technology Co. Ltd,** Beijing (CN); **Qizhi Software (Beijing) Co. Ltd,** Beijing (CN)

(**) Term: **14 Years**
(21) Appl. No.: **29/507,812**

(22) Filed: **Oct. 30, 2014**

(30) **Foreign Application Priority Data**

May 1, 2014 (CN) 2014 3 0114741

(51) **LOC (10) Cl.** **14-04**
(52) **U.S. Cl.**
USPC **D14/486**

(58) **Field of Classification Search**
USPC D14/485-495; 715/763, 834, 769, 772
CPC G06F 3/04847; G06F 3/0482; G06F 3/0486; G06F 3/0488; G06Q 10/063114; G01C 21/3664; G06T 11/206
See application file for complete search history.

(56) **References Cited**

U.S. PATENT DOCUMENTS

- D388,424 S 12/1997 DeMuro
- D474,197 S * 5/2003 Nguyen D14/486
- D503,179 S 3/2005 Kolawa et al.
- 6,961,070 B1 11/2005 Madison et al.
- 6,981,220 B2 12/2005 Matsuda

- 7,096,431 B2 * 8/2006 Tambata G01C 21/3664 701/1
- D550,229 S 9/2007 Sato et al.
- D552,118 S 10/2007 Jung et al.
- D579,945 S 11/2008 Kwag
- D582,934 S * 12/2008 Byeon D14/486
- D582,935 S 12/2008 Lee et al.
- D604,325 S 11/2009 Ebeling et al.
- D607,893 S 1/2010 Kanga et al.
- 7,788,587 B2 8/2010 Michelman
- D647,914 S * 11/2011 Brouwers D14/486
- D650,392 S * 12/2011 Glezer D14/486
- D656,954 S * 4/2012 Arnold D14/489
- 8,370,770 B2 2/2013 Vance et al.
- D682,305 S * 5/2013 Mierau D14/488
- D697,074 S * 1/2014 Waldman D14/485
- D697,525 S * 1/2014 Nishizawa D14/487
- D697,932 S * 1/2014 Lee D14/486
- 8,719,729 B2 * 5/2014 Smith G06F 3/0486 715/789

(Continued)

Primary Examiner — Barbara Fox

Assistant Examiner — Kimberly Barnes

(74) *Attorney, Agent, or Firm* — Baker & Hostetler LLP

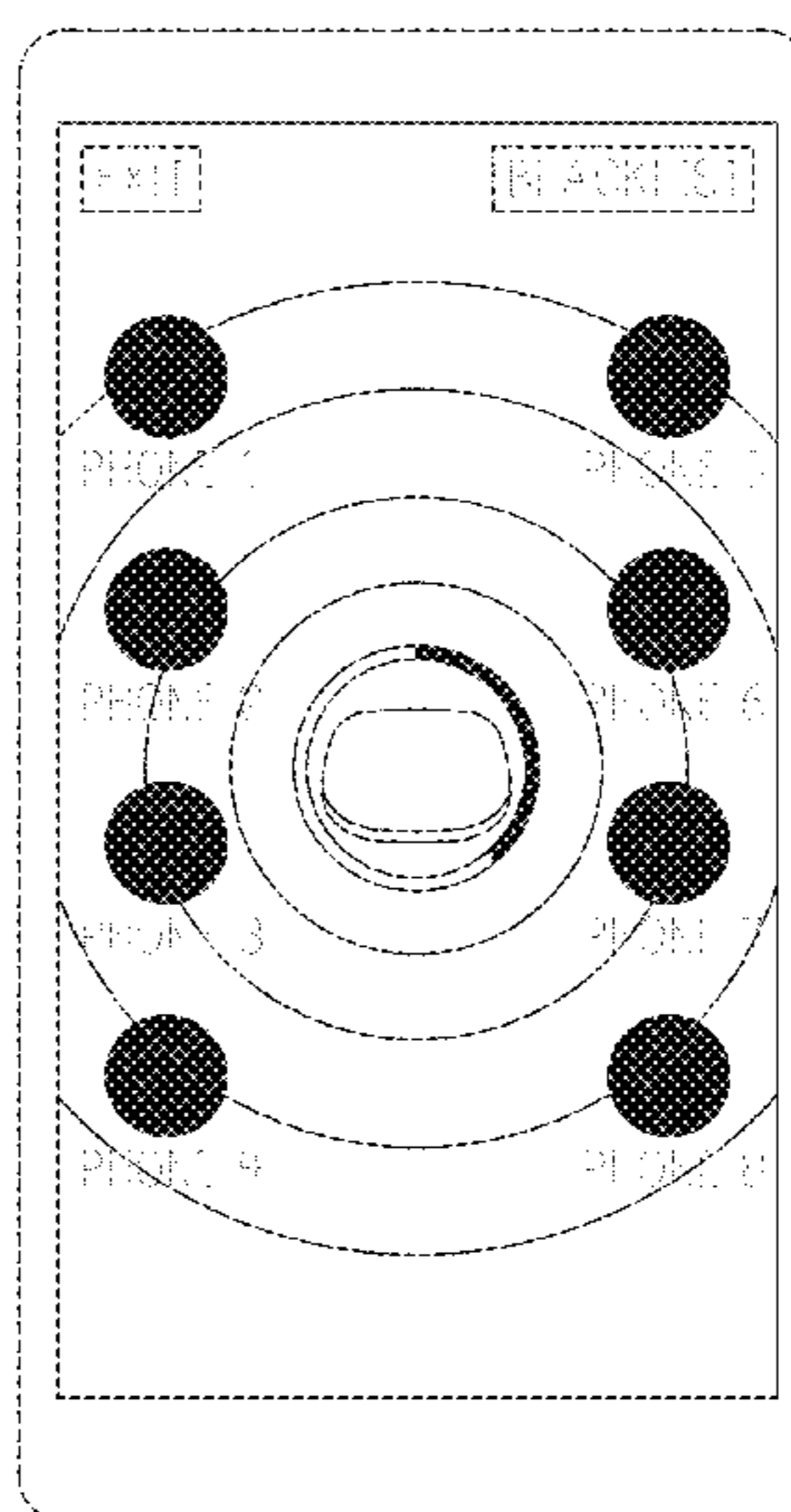
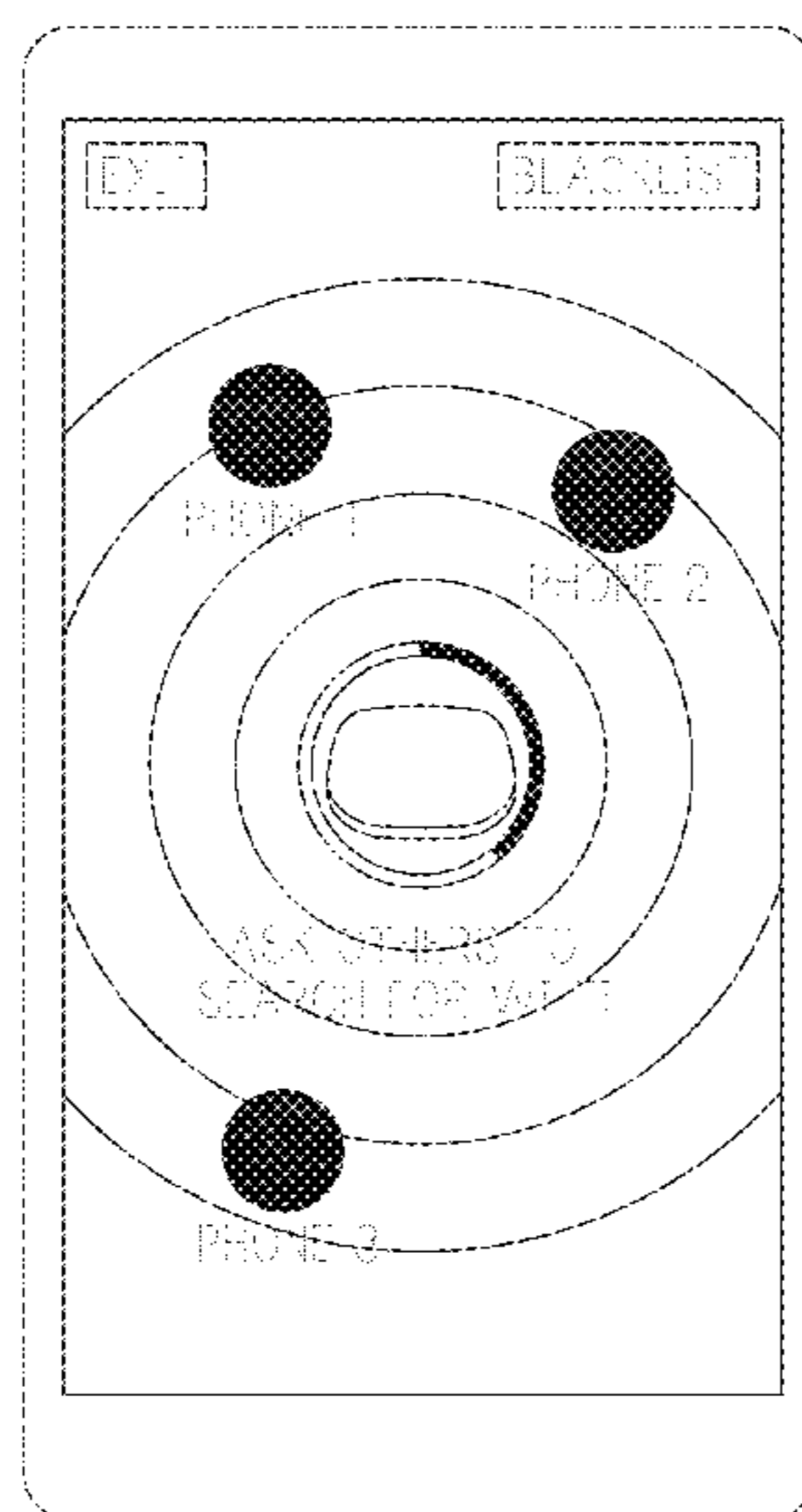
(57) **CLAIM**

We claim the ornamental design for a display screen with a graphical user interface, as shown and described.

DESCRIPTION

FIG. 1 is a front view of a first embodiment of a display screen with a graphical user interface;
FIG. 2 is a front view of a second embodiment thereof;
FIG. 3 is a front view of a third embodiment thereof;
FIG. 4 is a front view of a fourth embodiment thereof; and,
FIG. 5 is a front view of a fifth embodiment thereof.
The broken line showing of the outermost rectangle in the drawings depicts environmental subject matter and forms no part of the claimed design. The remaining broken lines illustrate portions of the display screen with a graphical user interface that form no part of the claimed design.

1 Claim, 3 Drawing Sheets



(56)

References Cited

U.S. PATENT DOCUMENTS

D716,334 S	10/2014	Lee et al.				
D716,834 S *	11/2014	Myung	D14/486			
D717,335 S *	11/2014	Sakuma	D14/487			
D737,316 S *	8/2015	Li	D14/488			
D739,425 S *	9/2015	Shawki	D14/486			
9,201,589 B2 *	12/2015	Nasraoui	G06F 3/0488			
D746,828 S *	1/2016	Arai	D14/485			
9,244,601 B2 *	1/2016	Kim	G06F 3/0488			
D750,627 S	3/2016	Chaudhri et al.				
D754,717 S	4/2016	Li et al.				
2008/0163053 A1	7/2008	Hwang et al.				
2012/0084170 A1 *	4/2012	Adair	G06Q 30/08 705/26.3			
2012/0297342 A1	11/2012	Jang et al.				
2013/0082965 A1 *	4/2013	Wada	G06F 3/04883 345/173			
2013/0116967 A1 *	5/2013	Akcasu	G04G 9/00 702/150			
2014/0022193 A1	1/2014	Kim et al.				
2015/0074612 A1 *	3/2015	Antipa	G06F 3/0482 715/854			
2015/0089407 A1 *	3/2015	Suzuki	G06F 3/0482 715/763			
2015/0370321 A1	12/2015	Lundberg				
2015/0375117 A1	12/2015	Thompson et al.				
2015/0378529 A1 *	12/2015	Ramanathan	G06T 11/206 715/834			

* cited by examiner

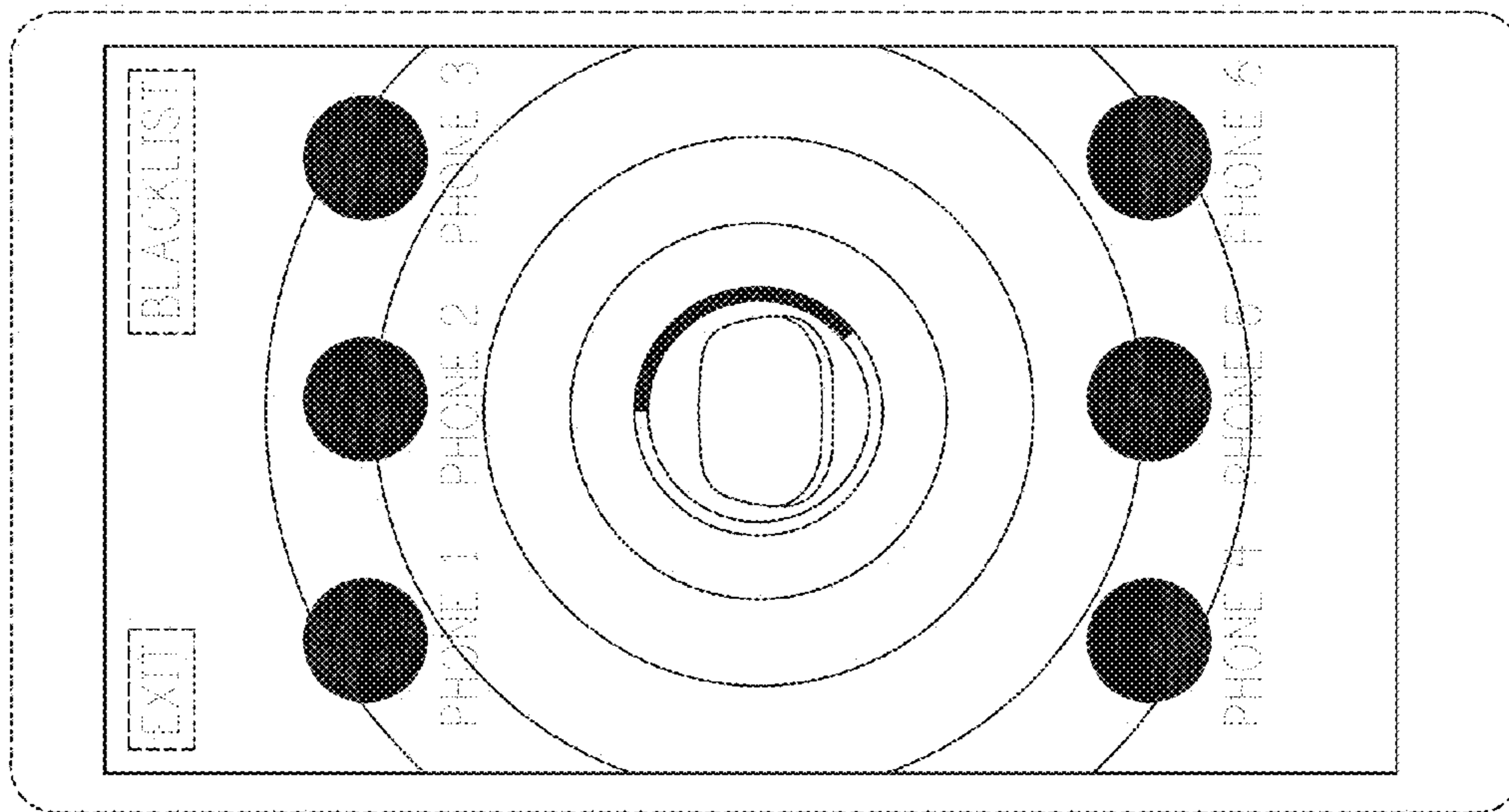


FIG. 1

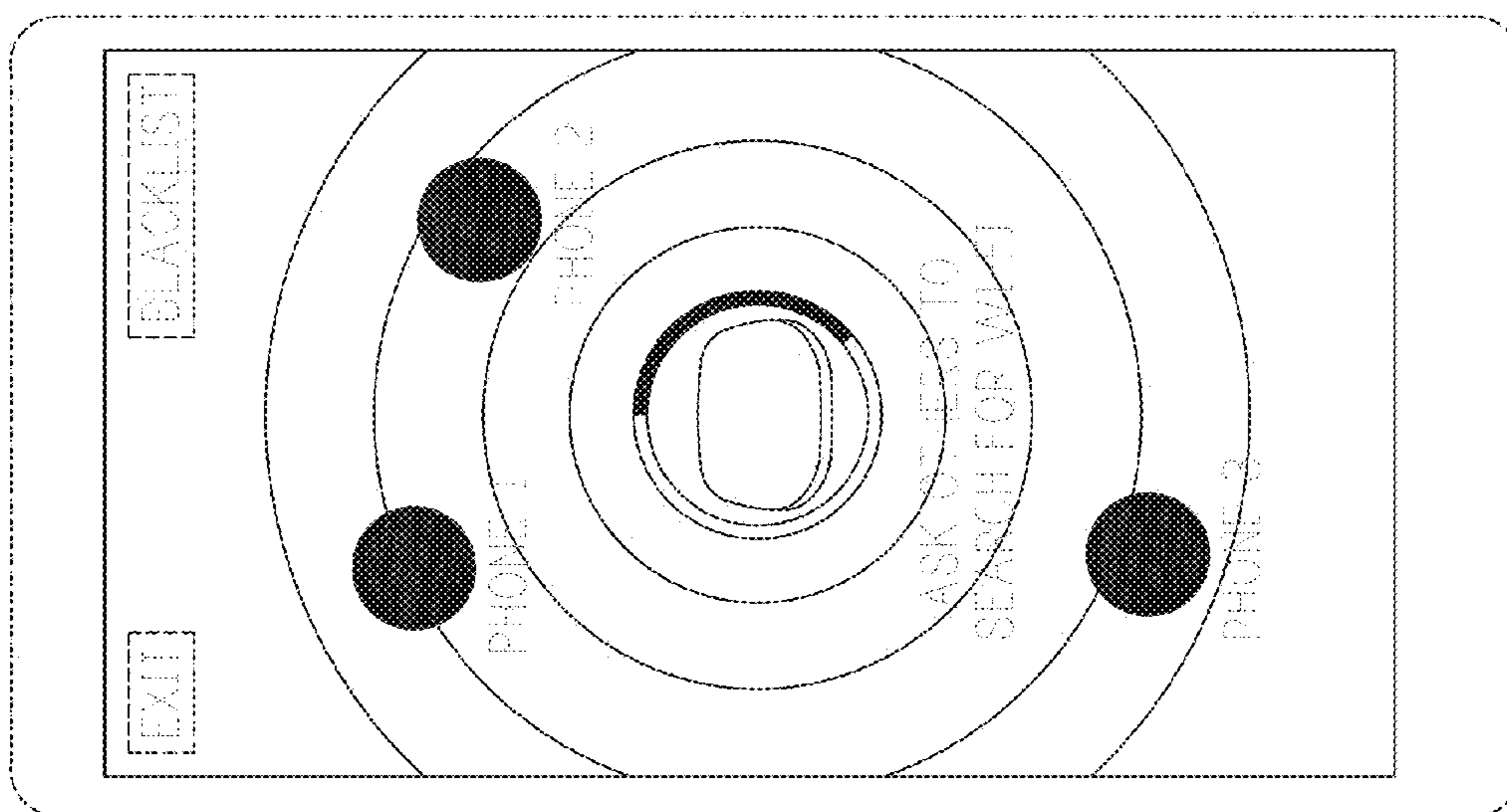


FIG. 2

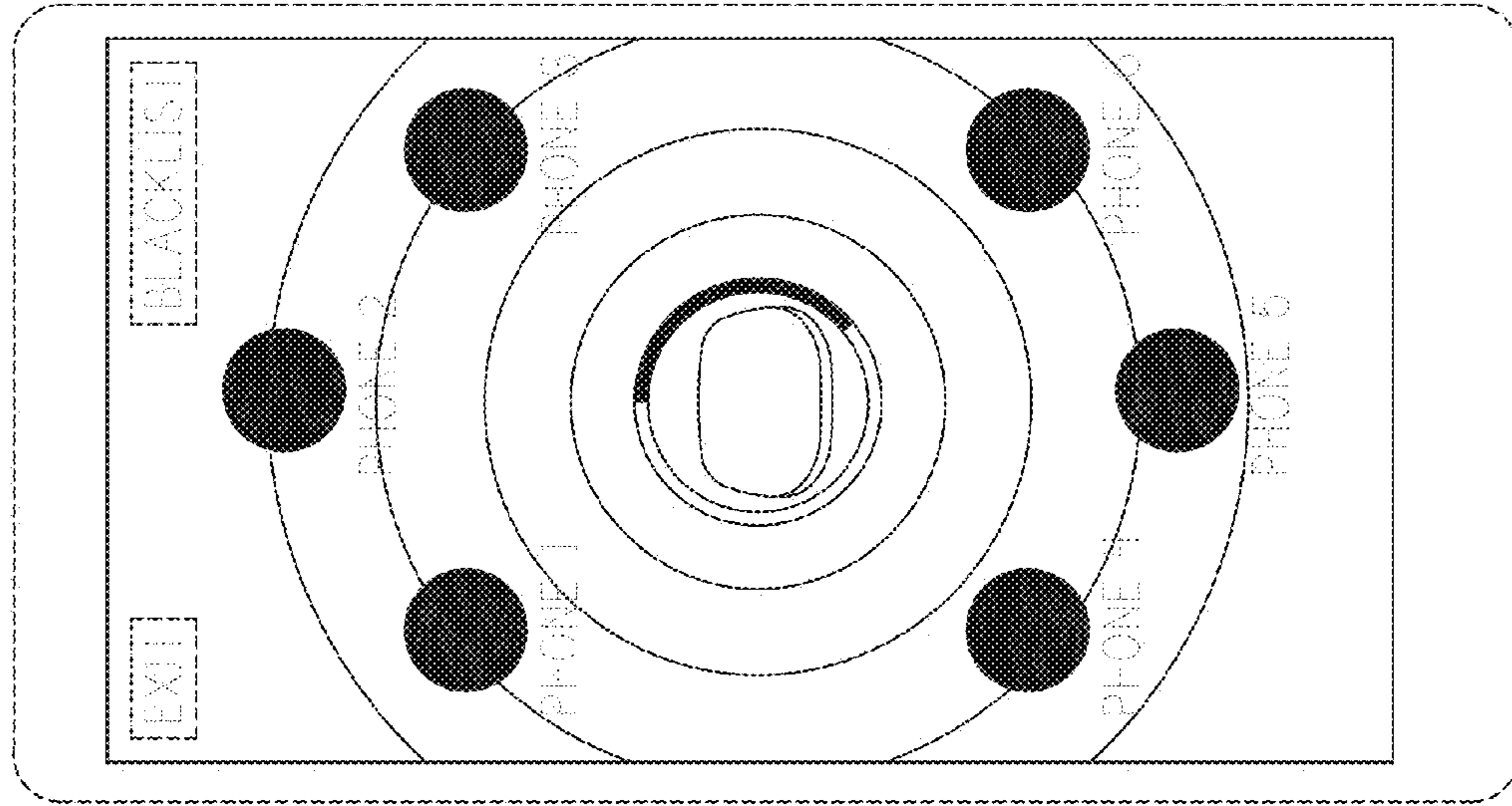


FIG. 3

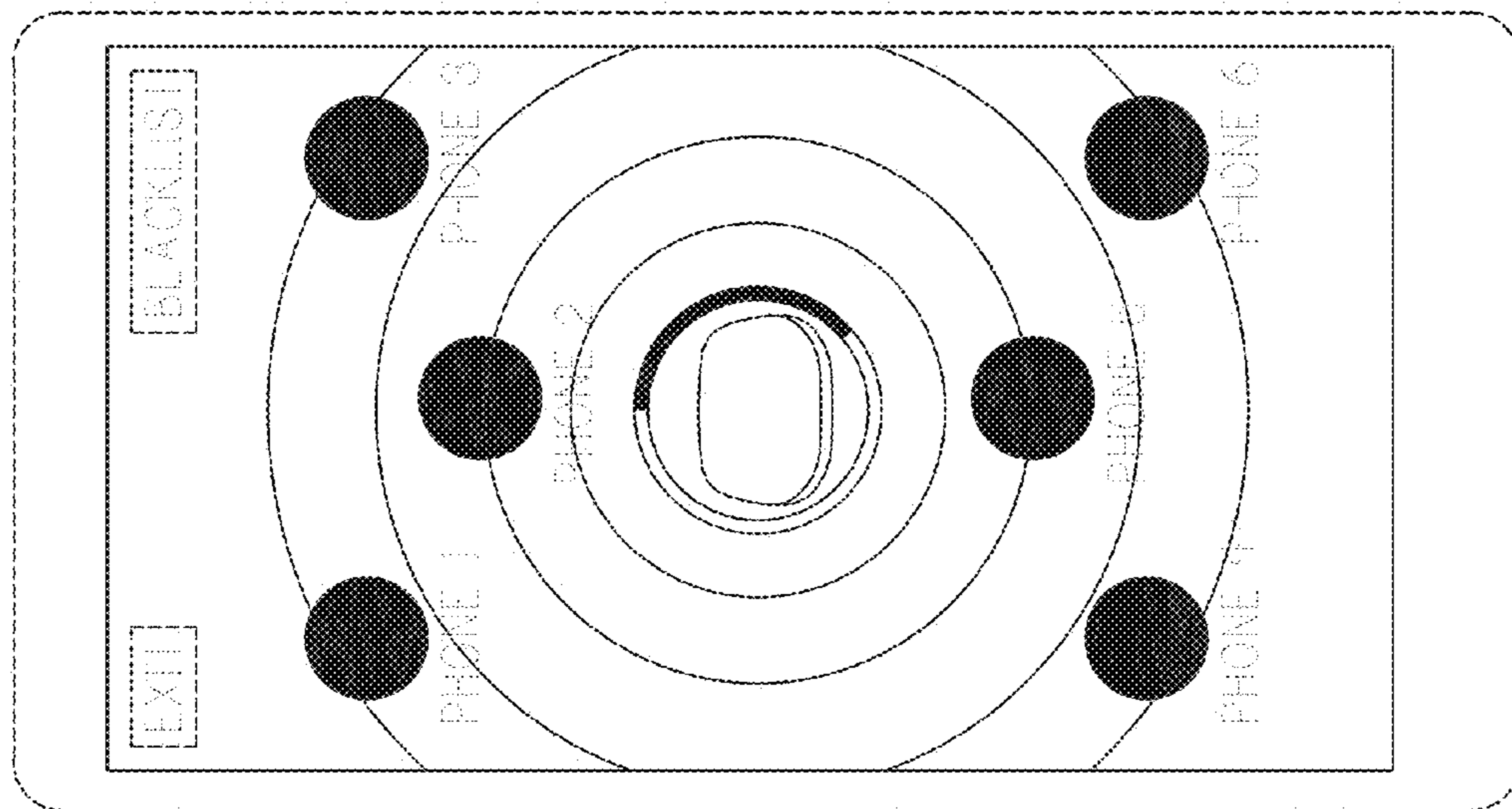


FIG. 4

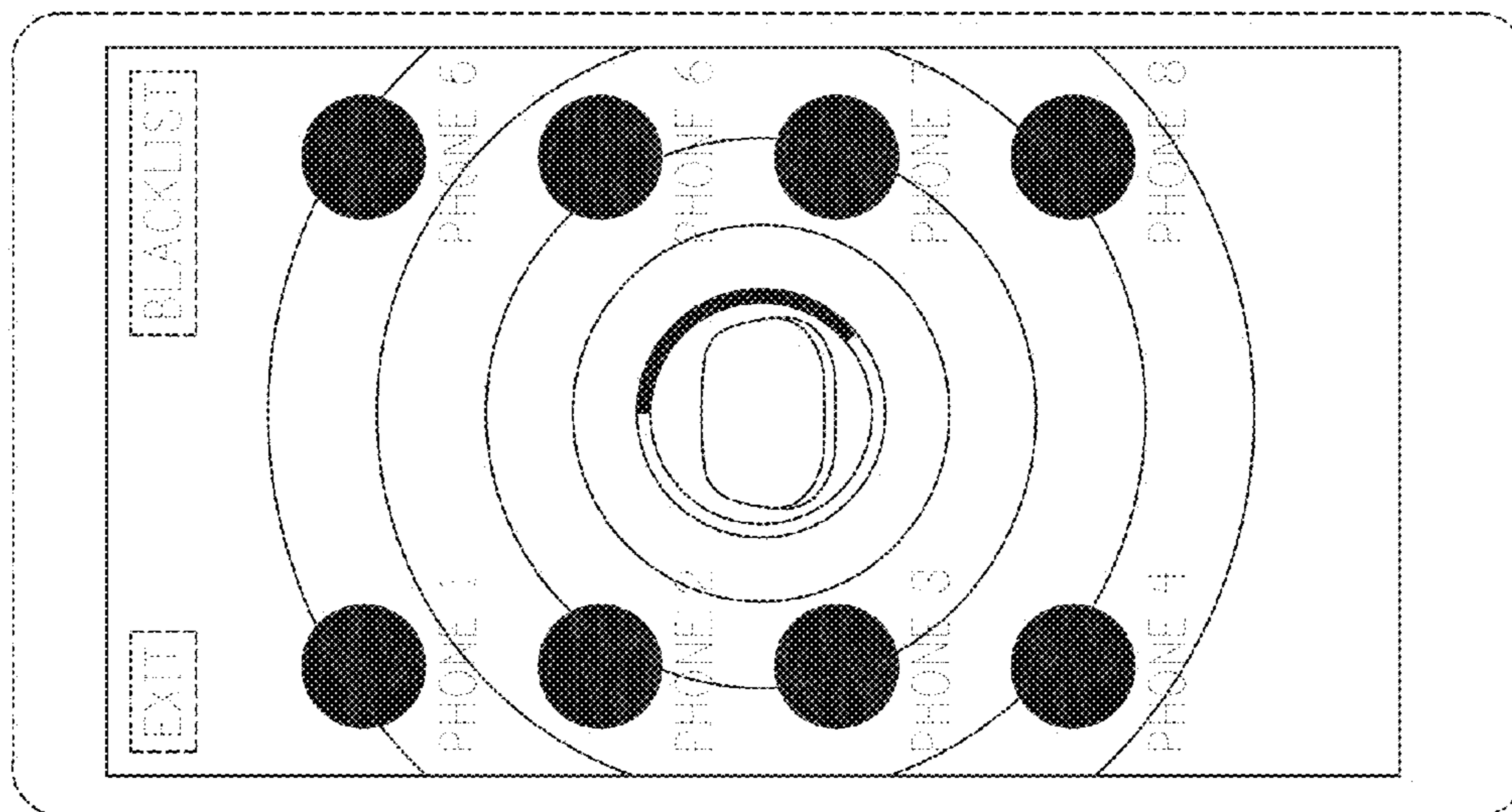


FIG. 5