



US00D766918S

(12) **United States Design Patent**  
**Mesguen et al.**

(10) **Patent No.:** **US D766,918 S**  
(45) **Date of Patent:** **\*\* Sep. 20, 2016**

(54) **DISPLAY SCREEN OF PORTION THEREOF WITH CHANGEABLE GRAPHICAL USER INTERFACE**

7,142,131 B2 11/2006 Sikora  
7,148,814 B2 12/2006 Sikora et al.

(Continued)

(71) Applicant: **Airbus Operations (S.A.S.)**, Toulouse (FR)

FOREIGN PATENT DOCUMENTS

(72) Inventors: **Mael Mesguen**, Cernay la Ville (FR);  
**François Buron**, Le Pecq (FR);  
**Thibaut Poux**, Toulouse (FR)

FR 2 985 069 A1 6/2013  
WO WO 2006/066702 A1 6/2006

OTHER PUBLICATIONS

(73) Assignee: **AIRBUS OPERATIONS (S.A.S.)**, Toulouse (FR)

U.S. Appl. No. 14/171,411, filed Feb. 3, 2014.

(Continued)

(\*\*) Term: **14 Years**

*Primary Examiner* — Cathron Brooks

(21) Appl. No.: **29/481,235**

(74) *Attorney, Agent, or Firm* — Jenkins, Wilson, Taylor & Hunt, P.A.

(22) Filed: **Feb. 3, 2014**

(51) **LOC (10) Cl.** ..... **14-04**

(52) **U.S. Cl.**

USPC ..... **D14/485**; D14/492

(58) **Field of Classification Search**

USPC ..... D14/485–495; 715/810, 835, 836, 837,  
715/839, 846; 701/3–18; 340/945–983

CPC ..... H04M 1/2477; H04N 1/00408; H04N  
1/00437; H04N 1/00477; H04N 1/00424;  
H04L 41/22; H04L 12/2631; H04L 43/045;  
G06F 17/246; G06F 21/6218; G06Q  
10/063114; G06Q 10/107; G06Q 10/109;  
B06H 1/00; G06T 13/80

See application file for complete search history.

(56) **References Cited**

U.S. PATENT DOCUMENTS

4,819,183 A	4/1989	O'Brien et al.	
5,152,146 A	10/1992	Butler	
5,241,814 A	9/1993	Butler	
5,499,784 A	3/1996	Crabere et al.	
5,904,729 A	5/1999	Ruzicka	
6,633,801 B1	10/2003	Durlacher et al.	
6,636,786 B2	10/2003	Partel	
6,946,976 B1 *	9/2005	Langner	G01C 23/00 340/945

(57) **CLAIM**

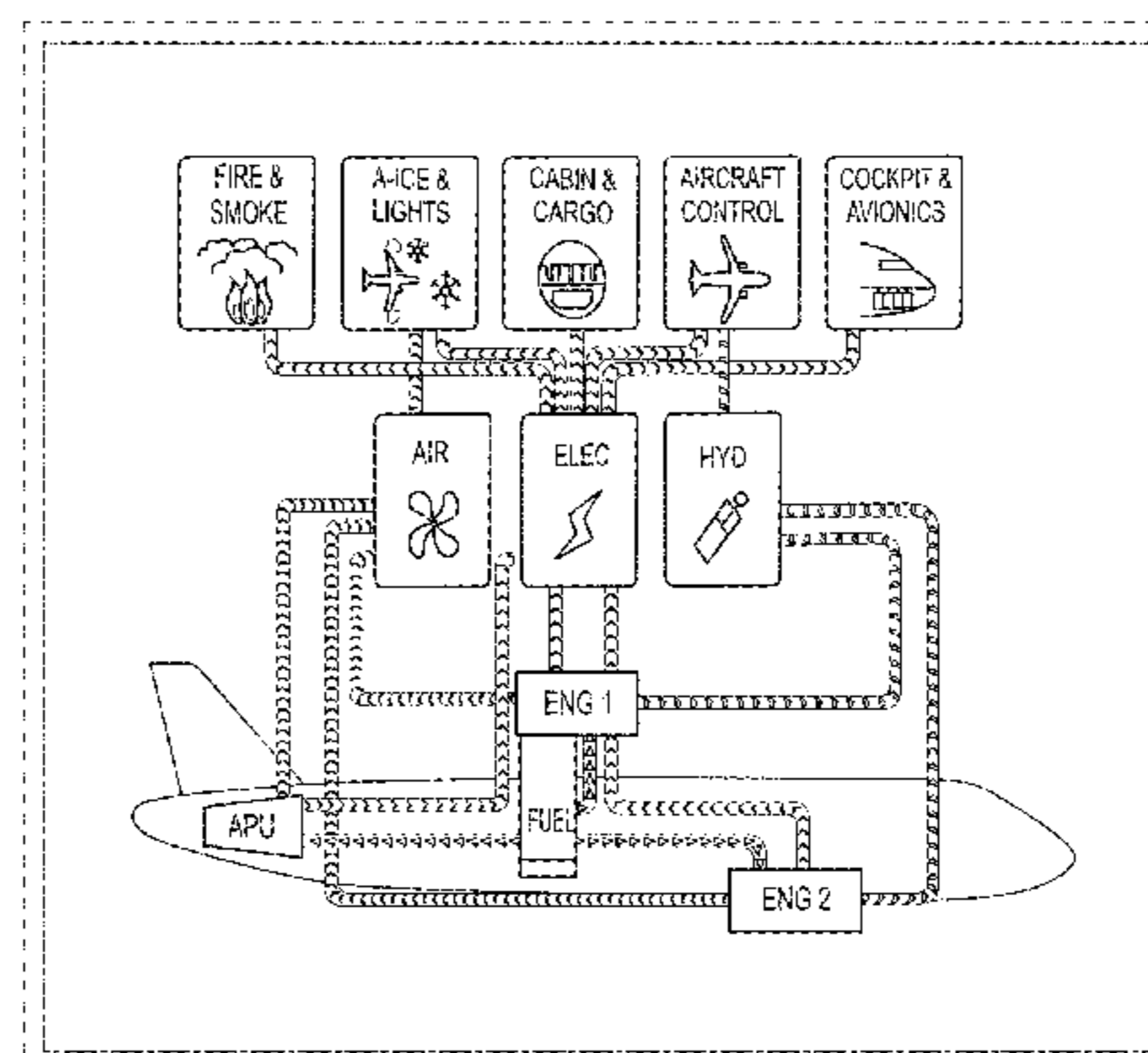
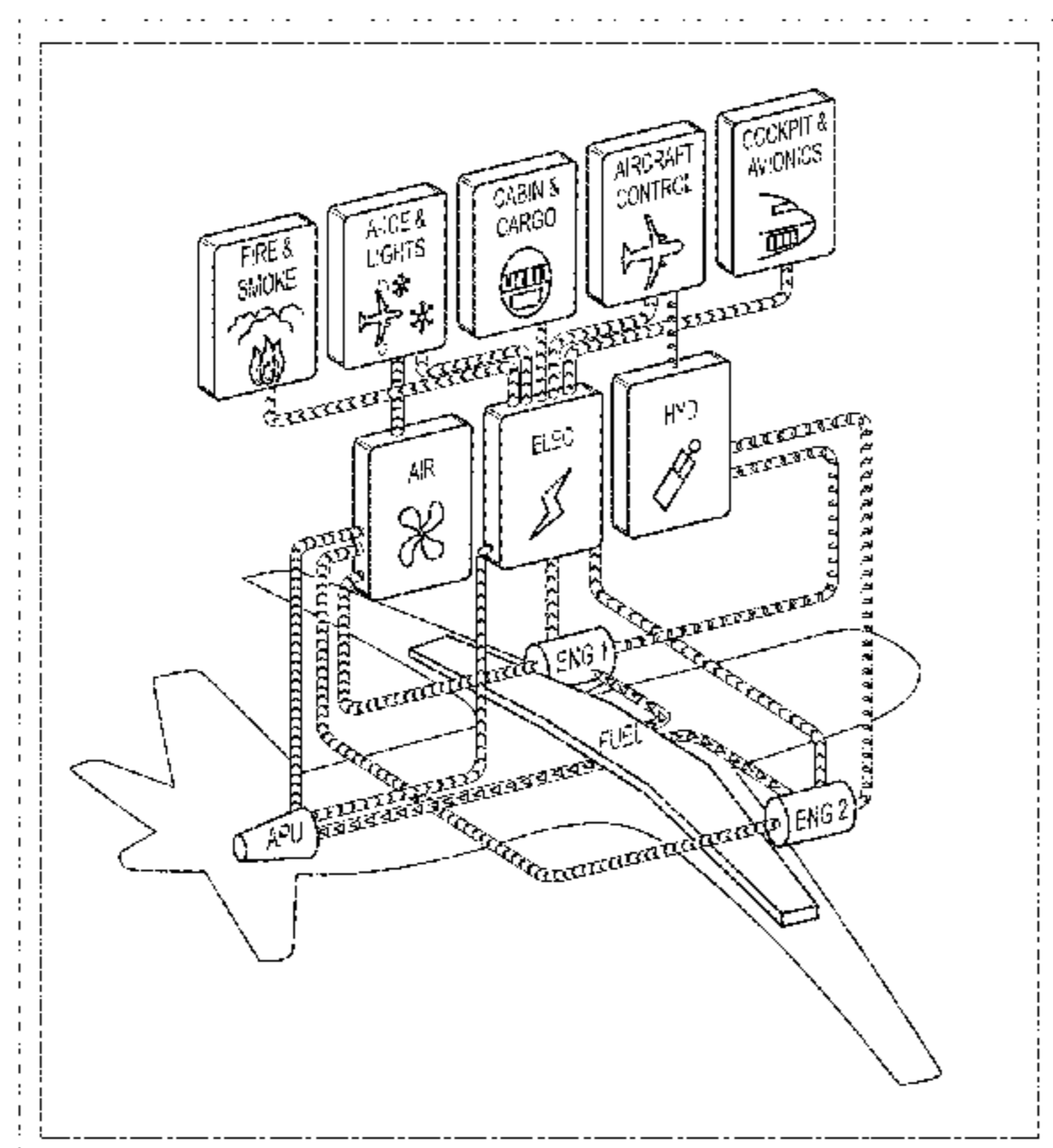
The ornamental design for display screen or portion thereof with changeable graphical user interface, as shown and described.

**DESCRIPTION**

FIG. 1 is a front view of a first image of a display screen or portion thereof with changeable graphical user interface, showing a first embodiment of the design;  
FIG. 2 is a front view of a second image of the first embodiment;  
FIG. 3 is a front view of a first image of a display screen or portion thereof with changeable graphical user interface, showing a second embodiment of the design; and,  
FIG. 4 is a front view of a second image of the second embodiment.

The broken lines in the drawings illustrate the display screen. The dot-dash broken lines in the drawings illustrate a boundary of the claimed design. None of the broken lines form part of the claimed design. Additionally, the appearance of the transitional image sequentially transitions between the images shown in FIGS. 1-2 and FIGS. 3-4. The process or period in which one image transitions to another image forms no part of the claimed design.

**1 Claim, 4 Drawing Sheets**



(56)

References Cited

U.S. PATENT DOCUMENTS

7,260,453 B2 8/2007 Poier et al.  
 7,295,135 B2 11/2007 Younkin  
 7,309,048 B2\* 12/2007 von Thal ..... B64D 39/00  
 244/135 A  
 7,321,318 B2\* 1/2008 Crane ..... G01C 23/005  
 340/971  
 D590,409 S \* 4/2009 Shibata ..... D14/486  
 D600,702 S \* 9/2009 Osborne ..... D14/492  
 7,772,995 B2 8/2010 Cabaret De Alberti et al.  
 7,868,785 B1 1/2011 Wang  
 7,873,446 B2 1/2011 Shehi et al.  
 7,880,597 B2 2/2011 Uchida  
 8,188,972 B1 5/2012 Krenz et al.  
 8,359,542 B2\* 1/2013 Dingeman ..... G06F 17/5095  
 701/14  
 8,378,853 B2 2/2013 Smith et al.  
 8,421,649 B2 4/2013 Marstall et al.  
 D682,314 S \* 5/2013 Lau ..... D14/492  
 8,630,752 B2 1/2014 Gurusamy et al.  
 8,633,913 B1 1/2014 Raghu et al.  
 8,788,138 B1 7/2014 Yogesha et al.  
 D717,819 S \* 11/2014 Lee ..... D14/486  
 D722,081 S 2/2015 Gerber et al.  
 D726,758 S \* 4/2015 Bourret ..... D14/486  
 2002/0120375 A1 8/2002 Draoullec et al.  
 2003/0078704 A1 4/2003 Partel  
 2003/0156137 A1 8/2003 Von Essen et al.  
 2004/0073571 A1 4/2004 Kumhyr et al.  
 2005/0004723 A1 1/2005 Duggan et al.  
 2009/0002764 A1 1/2009 Atkins et al.  
 2011/0296340 A1 12/2011 Nakagawa  
 2012/0072098 A1 3/2012 Righi et al.  
 2012/0209468 A1 8/2012 Thomas  
 2015/0217856 A1 8/2015 Mesguen et al.  
 2015/0217857 A1 8/2015 Mesguen et al.  
 2015/0217874 A1 8/2015 Mesguen et al.

OTHER PUBLICATIONS

U.S. Appl. No. 14/171,425, filed Feb. 3, 2014.  
 U.S. Appl. No. 29/481,238, filed Feb. 3, 2014.  
 U.S. Appl. No. 29/481,240, filed Feb. 3, 2014.  
 U.S. Appl. No. 29/481,251, filed Feb. 3, 2014.  
 Non-Final Office Action for U.S. Appl. No. 14/171,411 dated Feb. 13, 2015.

Non-Final Office Action for U.S. Appl. No. 14/171,425 dated May 4, 2015.  
 Norris G., "Flying smart the spread of technology such as laptop computers is pushing cockpit advances", Flight International, Reed Business Information, Sutton Surrey, GB, vol. 157, No. 4718, Mar. 7, 2000, p. 34/35.  
 PMDG 747-400 Aircraft Operating Manual Revision 1.0, Aircraft Operating Manual & Flight Management Computer Handbook, Revisions 10 Jun. 5 and 26 Jul. 5, 2005, Precision Manuals Development Group, PMDG 747-400—AOM, pp. Cover, 0-2, 7-28 thru 7-30, 11-7 thru 11-9, 11-12 thru 11-19, 11-44 thru 11-55, and 11-65 thru 11-67.  
 Applicant Initiated Interview Summary for U.S. Appl. No. 14/171,411 dated May 12, 2015.  
 Non-Final Office Action for U.S. Appl. No. 14/171,444 dated May 22, 2015.  
 Extended European Search Report for Application No. EP 15 15 3441 dated Jun. 29, 2015.  
 Final Office Action for U.S. Appl. No. 14/171,411 dated Jun. 30, 2015.  
 Final Office Action for U.S. Appl. No. 14/171,425 dated Aug. 24, 2015.  
 Learmount D: "Cognitive Cockpit End of Human Pilot Could Be in Sight", Flight International, Reed Business Information, Sutton Surrey, GB, vol. 158, No. 4748, Sep. 26, 2000 p. 43/44, 46, XP000959525, ISSN: 0015-3710.  
 Extended European Search Report for Application No. EP 15 15 3439 dated Jun. 30, 2015.  
 Advisory Action for U.S. Appl. No. 14/171,411 dated Sep. 18, 2015.  
 Notice of Allowance for U.S. Appl. No. 14/171,444 dated Oct. 13, 2015.  
 Non-Final Office Action for U.S. Appl. No. 14/171,411 dated Oct. 16, 2015.  
 Non-Final Office Action for U.S. Appl. No. 29/481,238 dated Oct. 19, 2015.  
 Non-Final Office Action for U.S. Appl. No. 29/481,240 dated Oct. 19, 2015.  
 Non-Final Office Action for U.S. Appl. No. 29/481,251 dated Oct. 19, 2015.  
 Applicant Initiated Interview Summary for U.S. Appl. No. 14/171,425 dated Dec. 14, 2015.  
 Non-Final Office Action for U.S. Appl. No. 14/171,425 dated Jan. 7, 2016.

\* cited by examiner

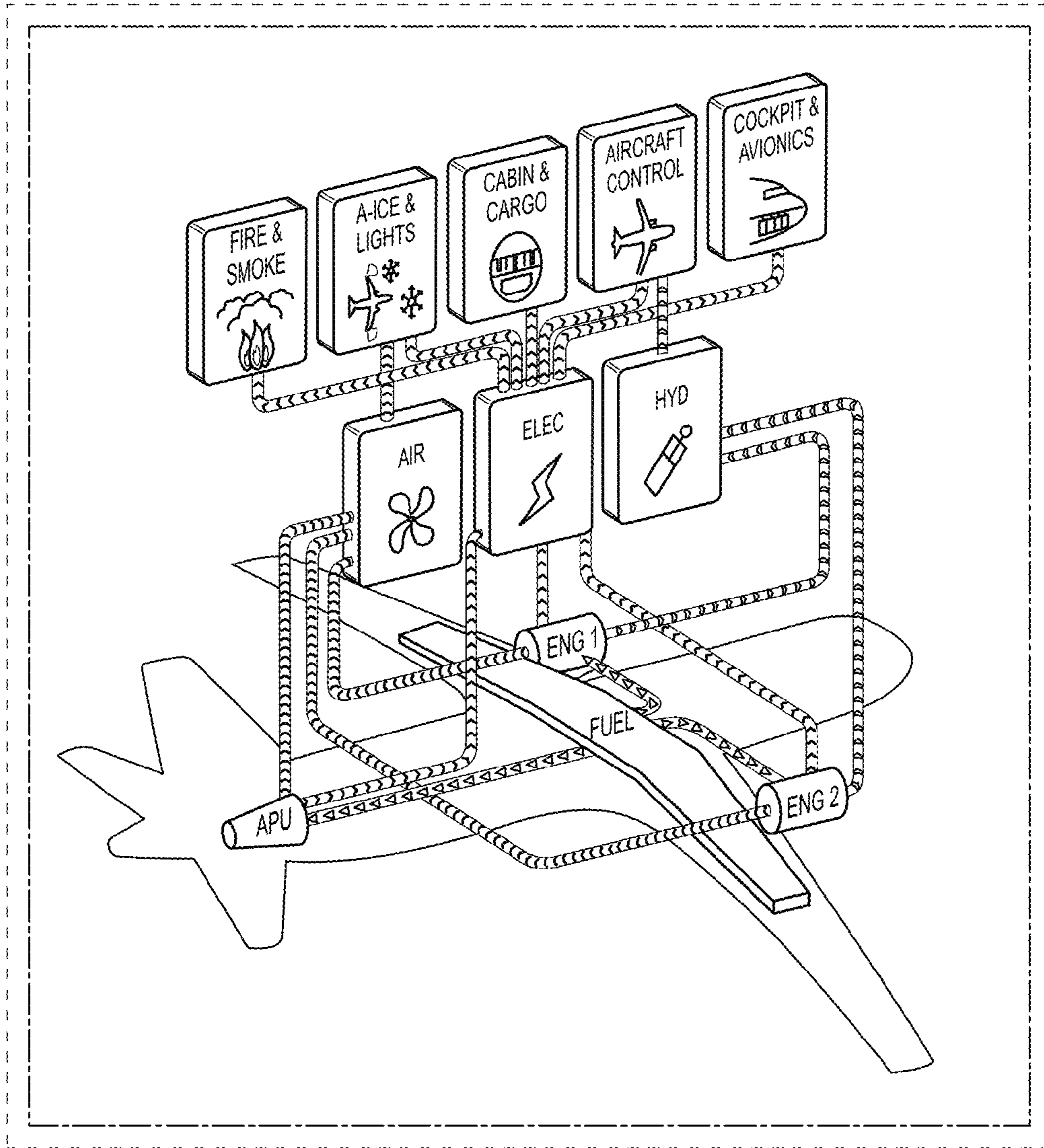


FIG. 1

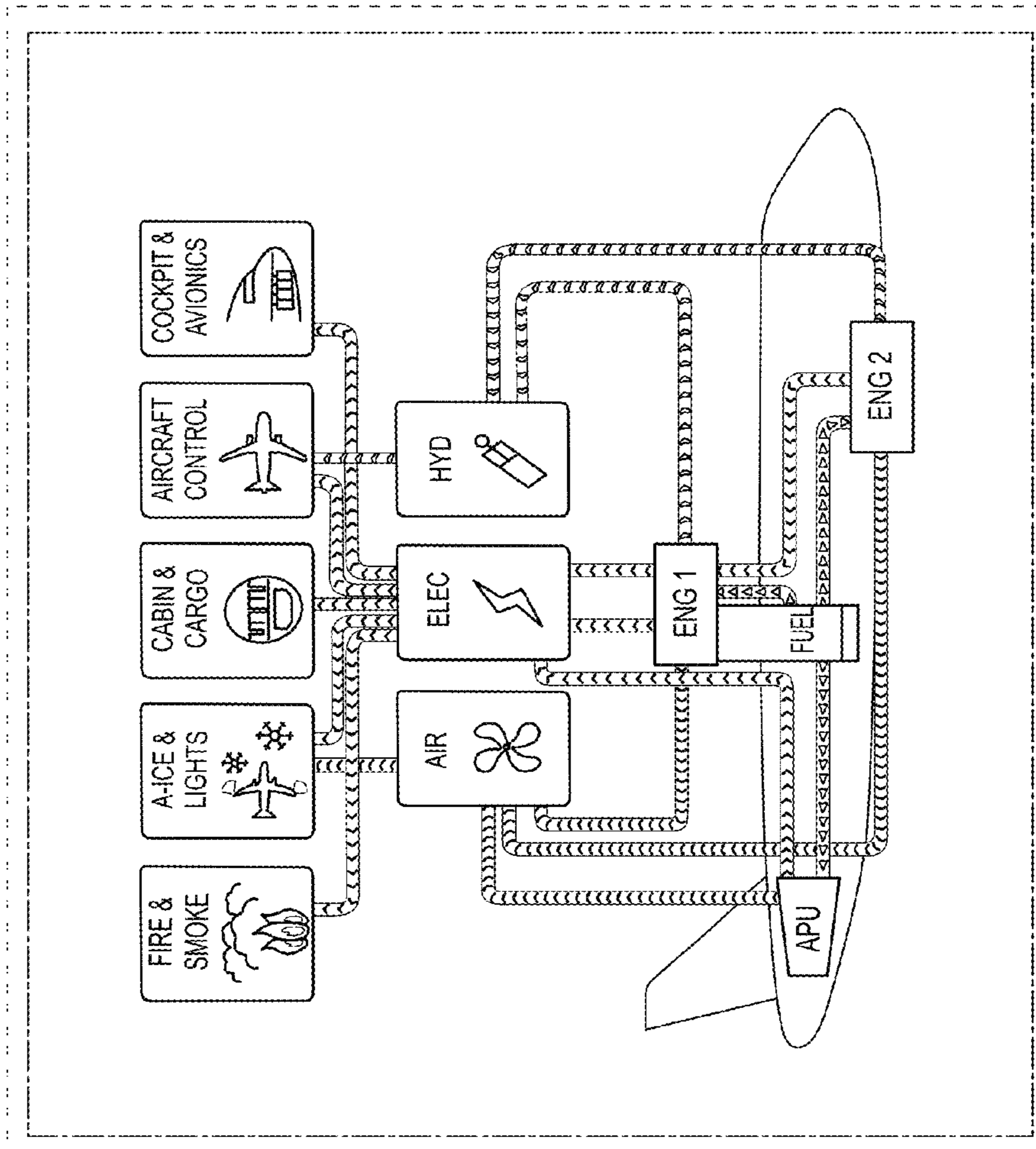


FIG. 2

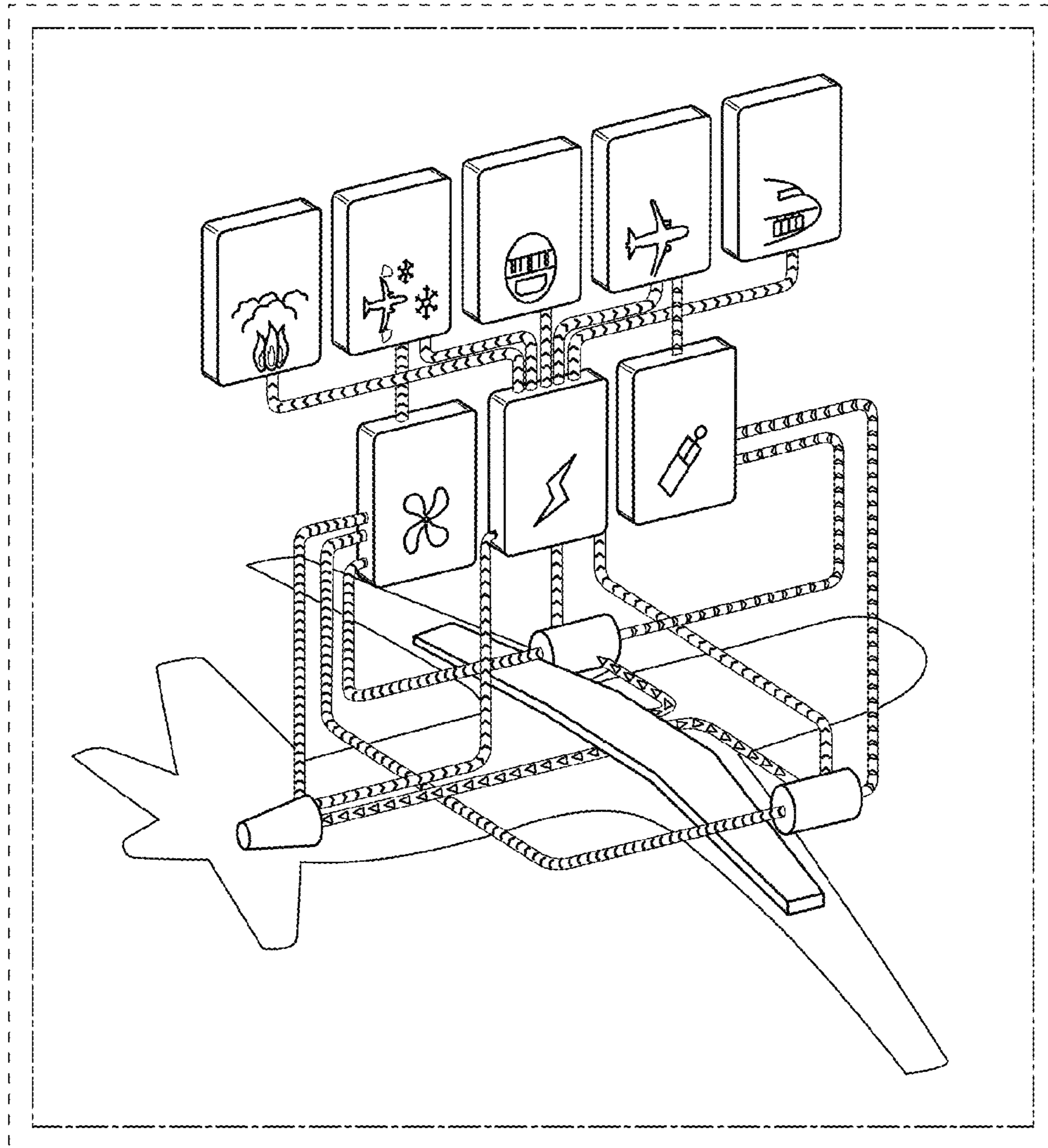


FIG. 3

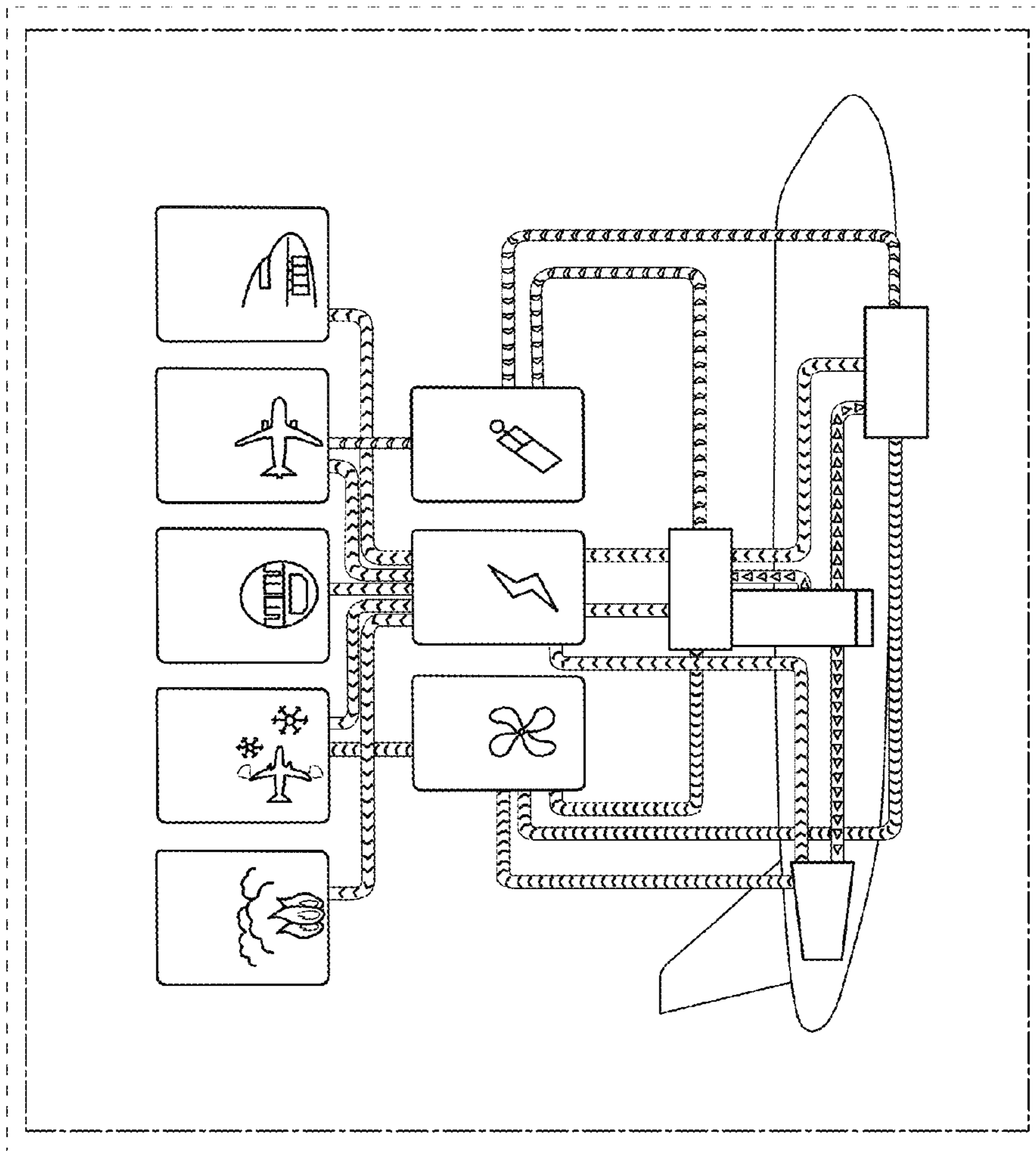


FIG. 4