



US00D766908S

(12) **United States Design Patent**  
**Richter**

(10) **Patent No.:** **US D766,908 S**

(45) **Date of Patent:** **\*\* Sep. 20, 2016**

(54) **APPARATUS HOLDER FOR CONNECTION TO AN APPARATUS SUPPORT DEVICE**

(71) Applicant: **Harald Richter**, Engelbrand (DE)

(72) Inventor: **Harald Richter**, Engelbrand (DE)

(\*\*) Term: **15 Years**

(21) Appl. No.: **29/530,166**

(22) Filed: **Jun. 14, 2015**

(51) **LOC (10) Cl.** ..... **08-07**

(52) **U.S. Cl.**  
USPC ..... **D14/447**

(58) **Field of Classification Search**

USPC ..... D14/447, 432, 434, 439, 440, 451, 452,  
D14/457, 250, 251, 253; D3/218; D6/406.3,  
D6/406.4, 406.5, 406.6  
CPC ..... A45C 2011/003; A45C 2011/002;  
A45C 13/002; A47B 2023/049; A47B  
2097/005; A47B 2097/006; A47B 21/04;  
A47B 23/00; A47B 23/043; A47B  
2021/0307; A47B 2023/005; F16M 2200/00;  
H04B 1/3888; H04M 1/185; H04M 1/04  
See application file for complete search history.

(56) **References Cited**

**U.S. PATENT DOCUMENTS**

D431,250 S \* 9/2000 Richter ..... D14/447  
D671,950 S \* 12/2012 Richter ..... D14/447  
D685,379 S \* 7/2013 Richter ..... D14/253  
D685,380 S \* 7/2013 Richter ..... D14/253  
D697,515 S \* 1/2014 Adelman ..... D14/447  
D712,394 S \* 9/2014 Booth ..... D14/253

D717,307 S \* 11/2014 Chun ..... D14/447  
D724,598 S \* 3/2015 Gelsomini ..... D14/447  
D741,146 S \* 10/2015 Delrue ..... D14/447  
D742,387 S \* 11/2015 Xiang ..... D14/447  
D748,087 S \* 1/2016 Lee ..... D14/251  
D750,612 S \* 3/2016 Chen ..... D14/253  
D750,633 S \* 3/2016 Minn ..... D14/447

\* cited by examiner

*Primary Examiner* — Angela J Lee

(74) *Attorney, Agent, or Firm* — Klaus J. Bach

(57) **CLAIM**

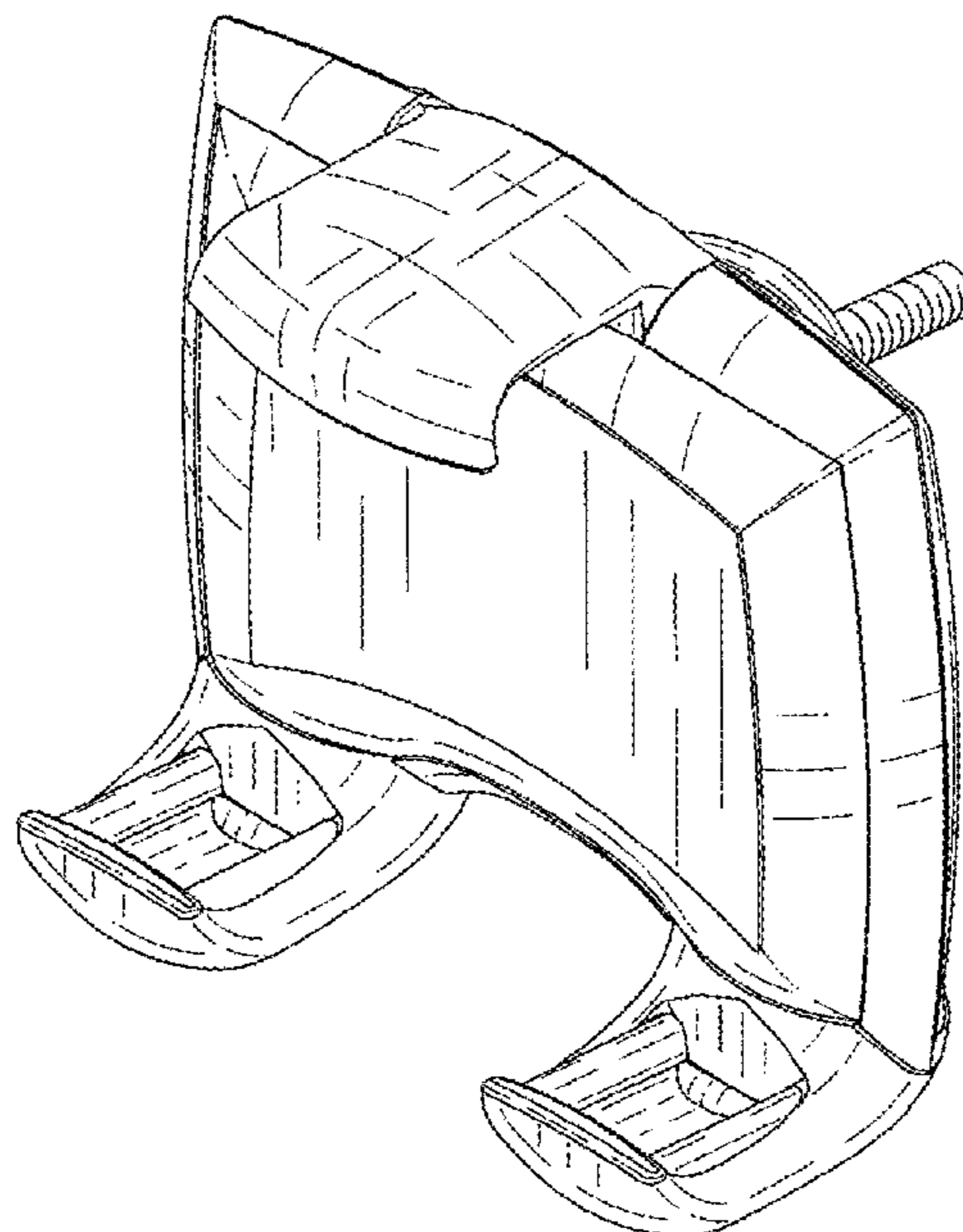
The ornamental design for an apparatus holder for connection to an apparatus support device, as shown and described.

**DESCRIPTION**

FIG. 1 is a perspective view of an apparatus holder;  
FIG. 2 is a right side view of the apparatus holder shown in FIG. 1,  
FIG. 3 is a left side view of the apparatus holder shown in FIG. 2,  
FIG. 4 is a front view of the apparatus holder shown in FIG. 1,  
FIG. 5 is a rear view of the apparatus holder shown in FIG. 1,  
FIG. 6 is a top view of the apparatus holder shown in FIG. 1; and,  
FIG. 7 is a bottom view of the apparatus holder shown in FIG. 1.

In the apparatus holder for connection to an apparatus support device a snap-in connection is provided for firmly engaging the apparatus holder with the support device. The apparatus holder is adapted to hold an apparatus such as cell phone, a GPS or a tablet.

**1 Claim, 7 Drawing Sheets**



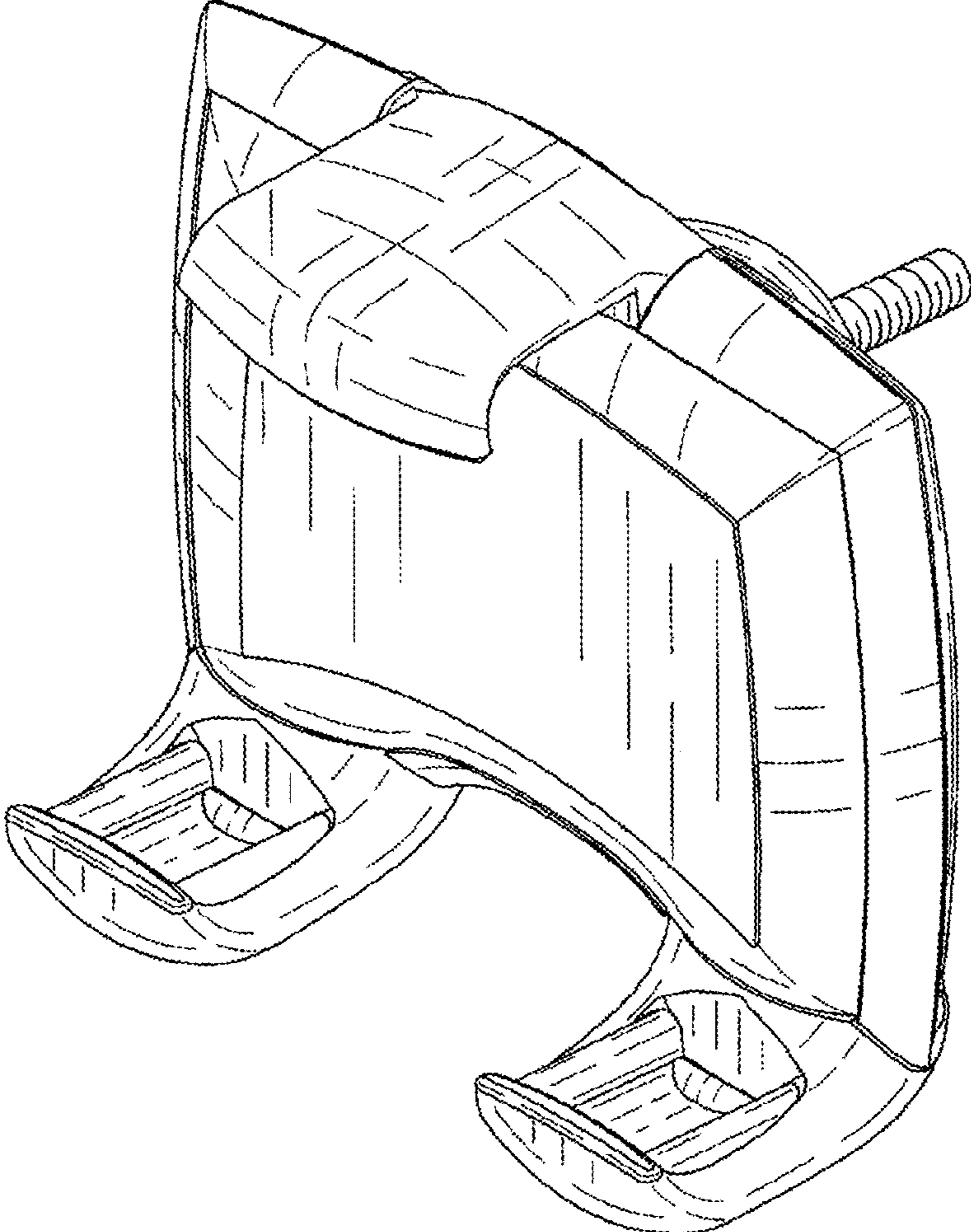


FIG. 1

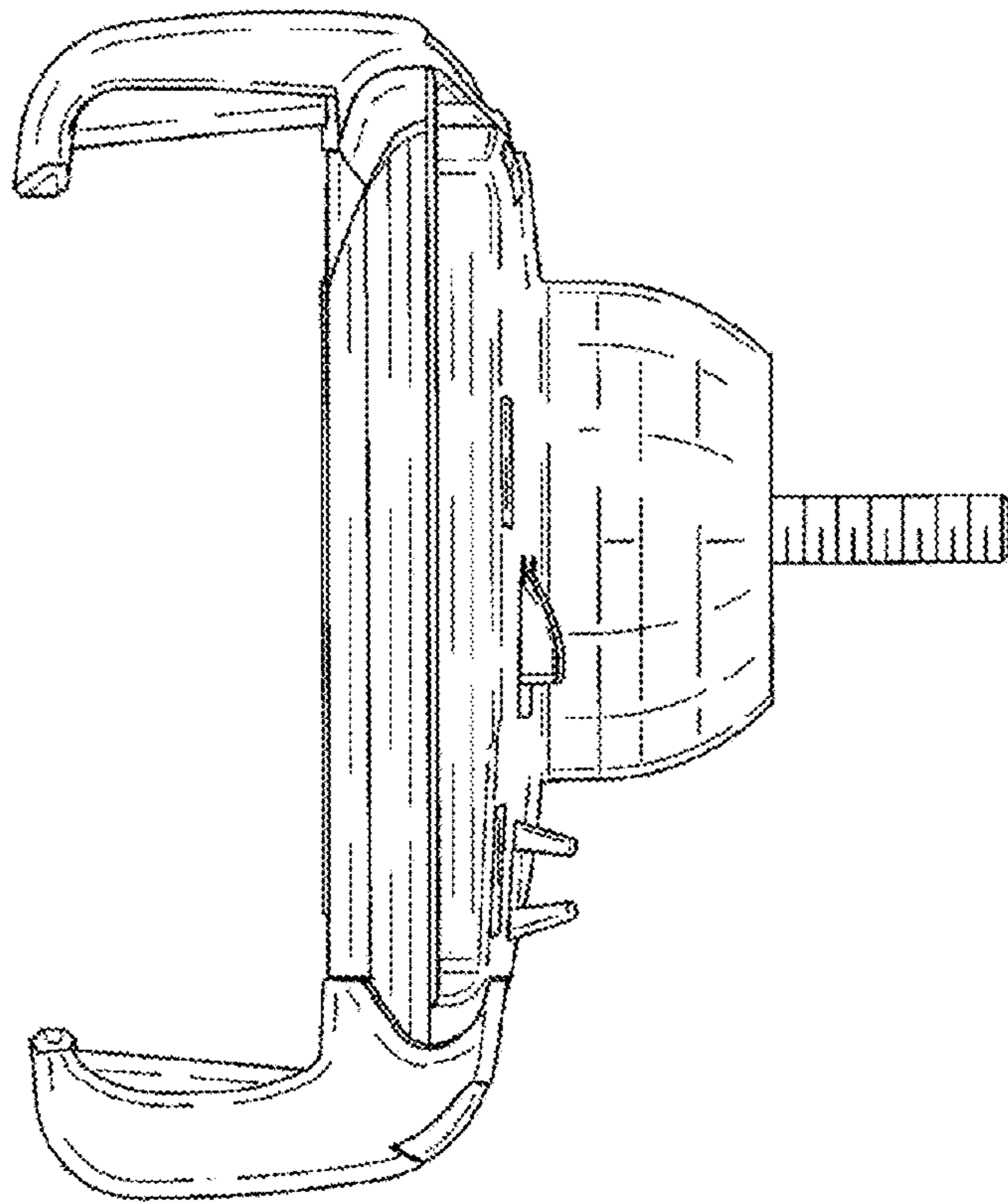


FIG. 2

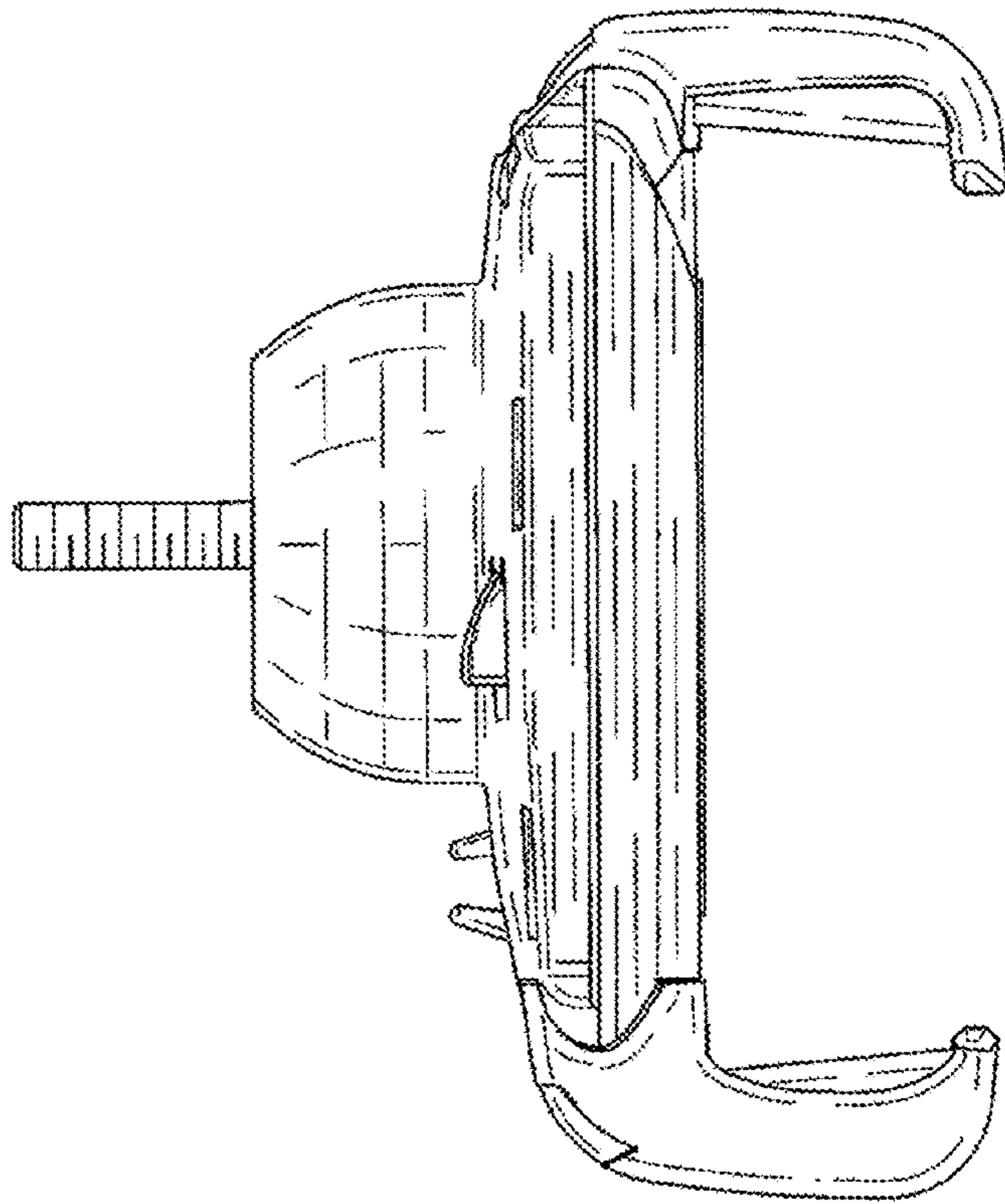
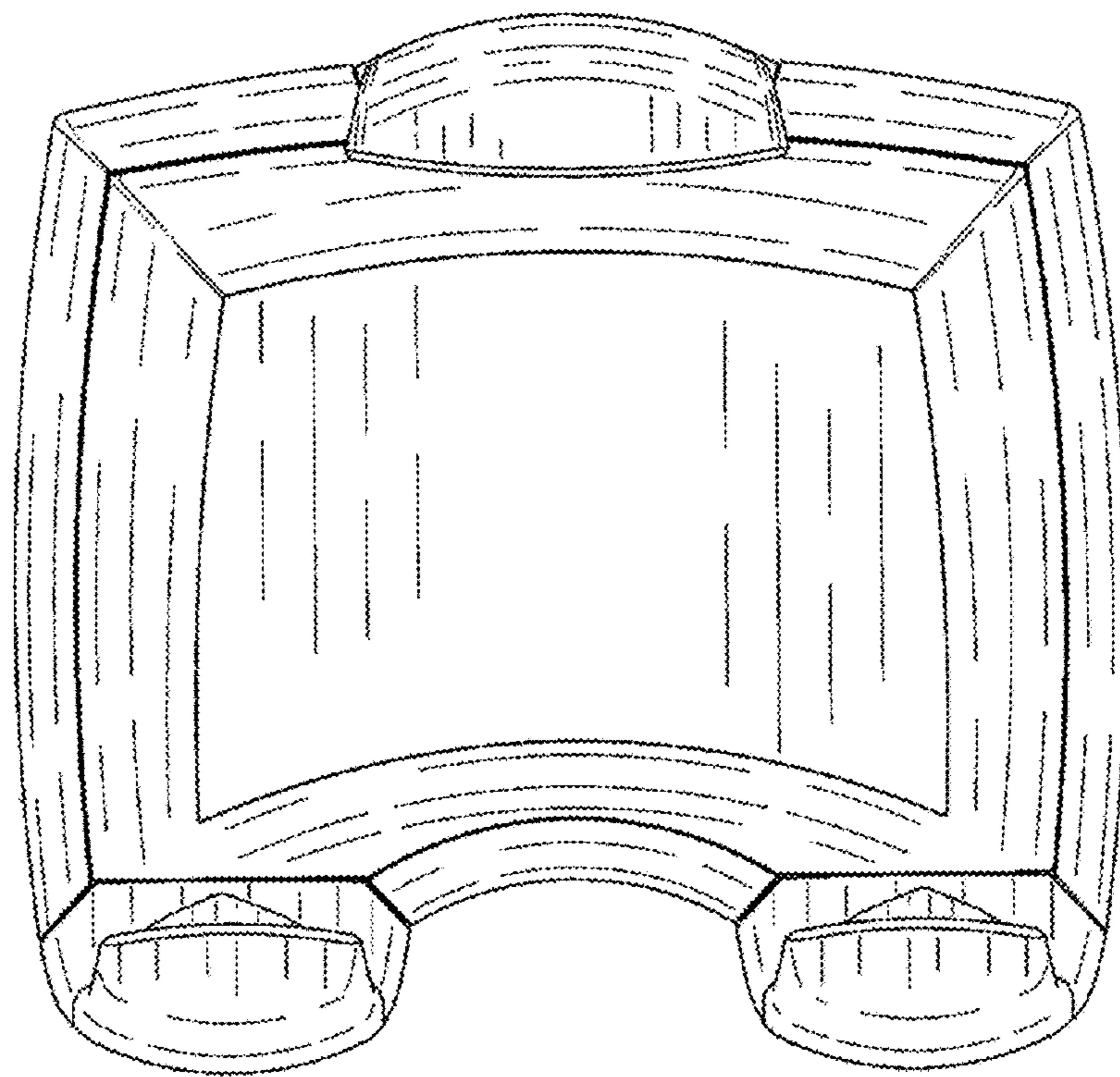


FIG. 3





*FIG. 4*

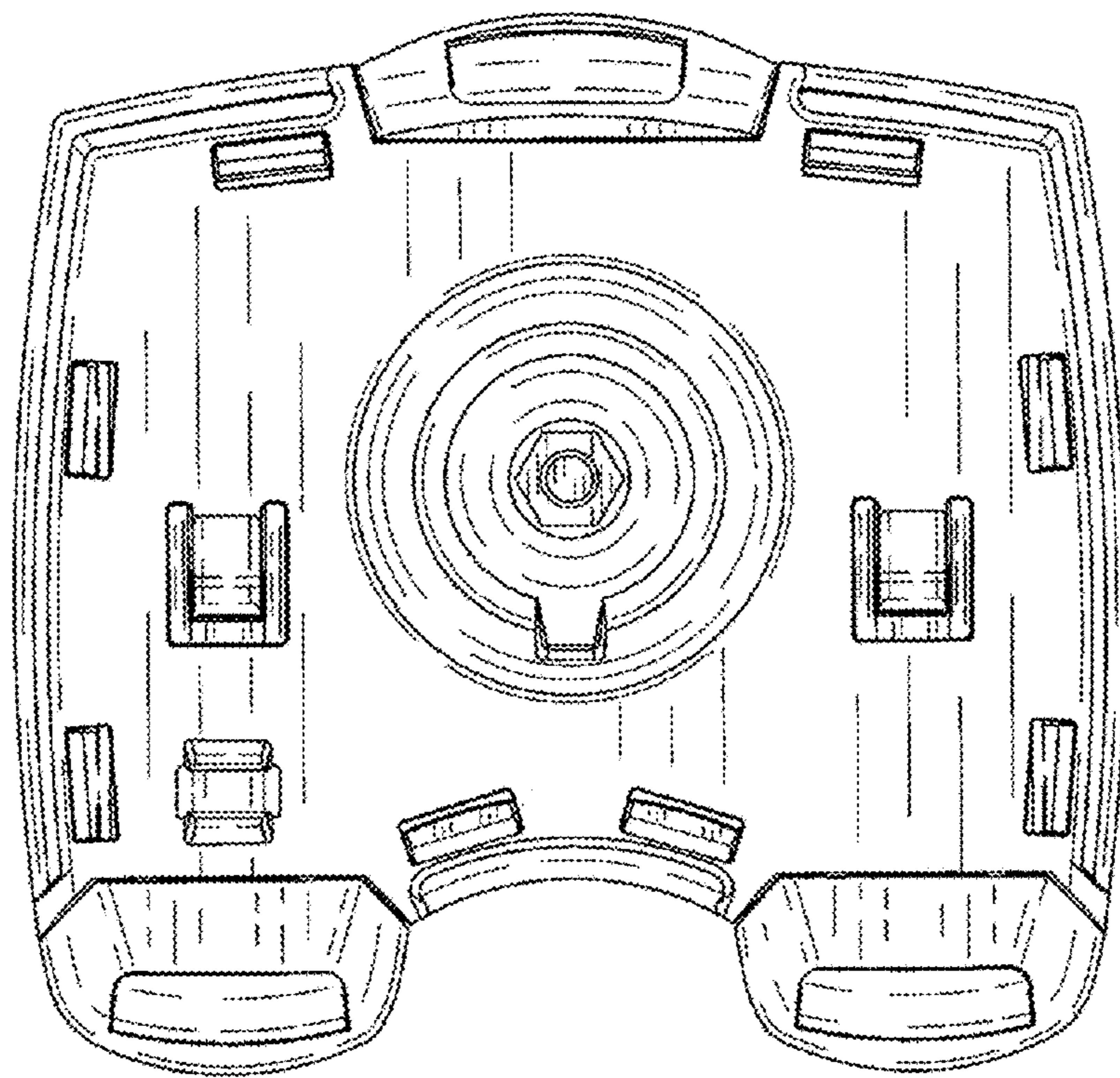
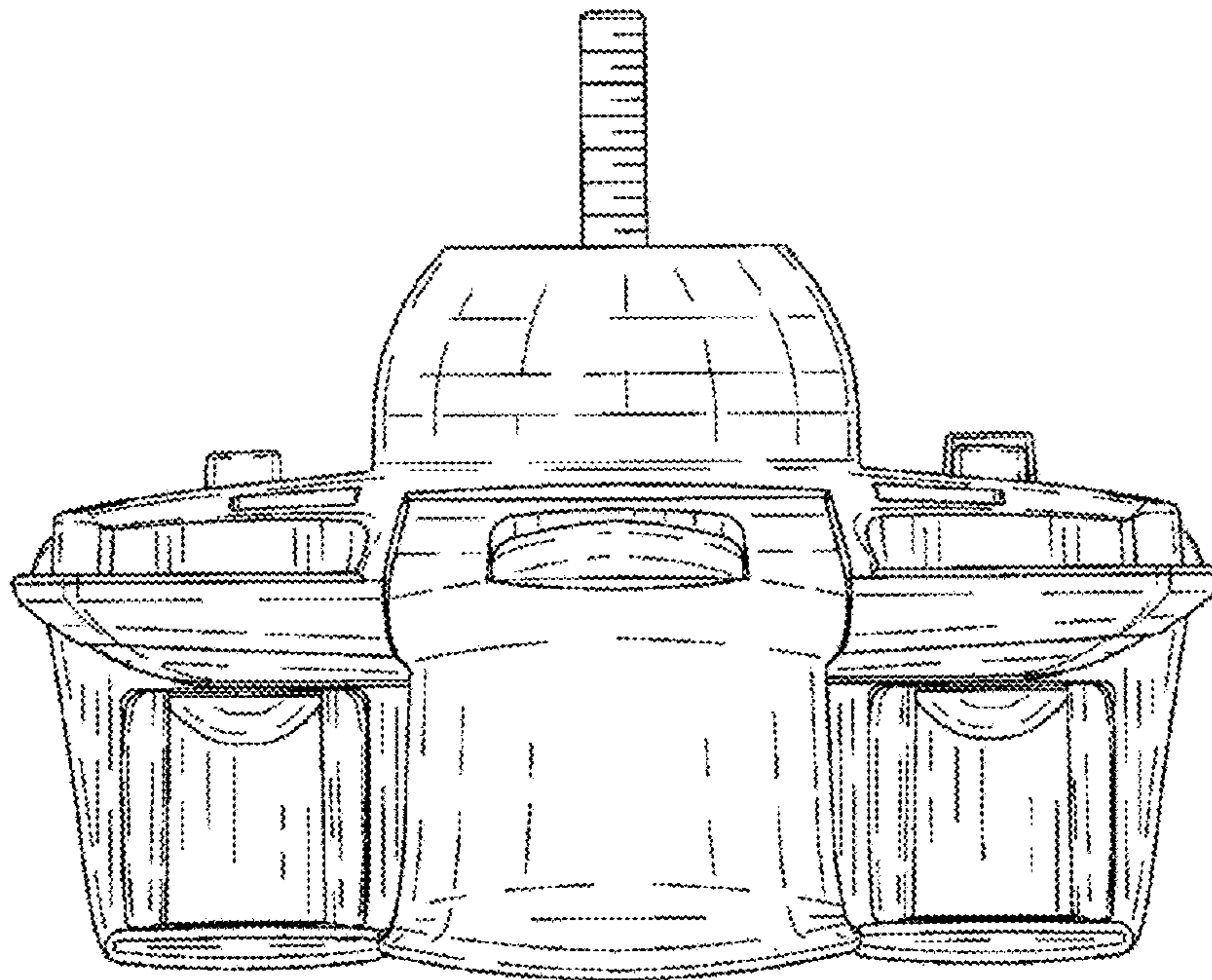


FIG. 5



*FIG. 6*

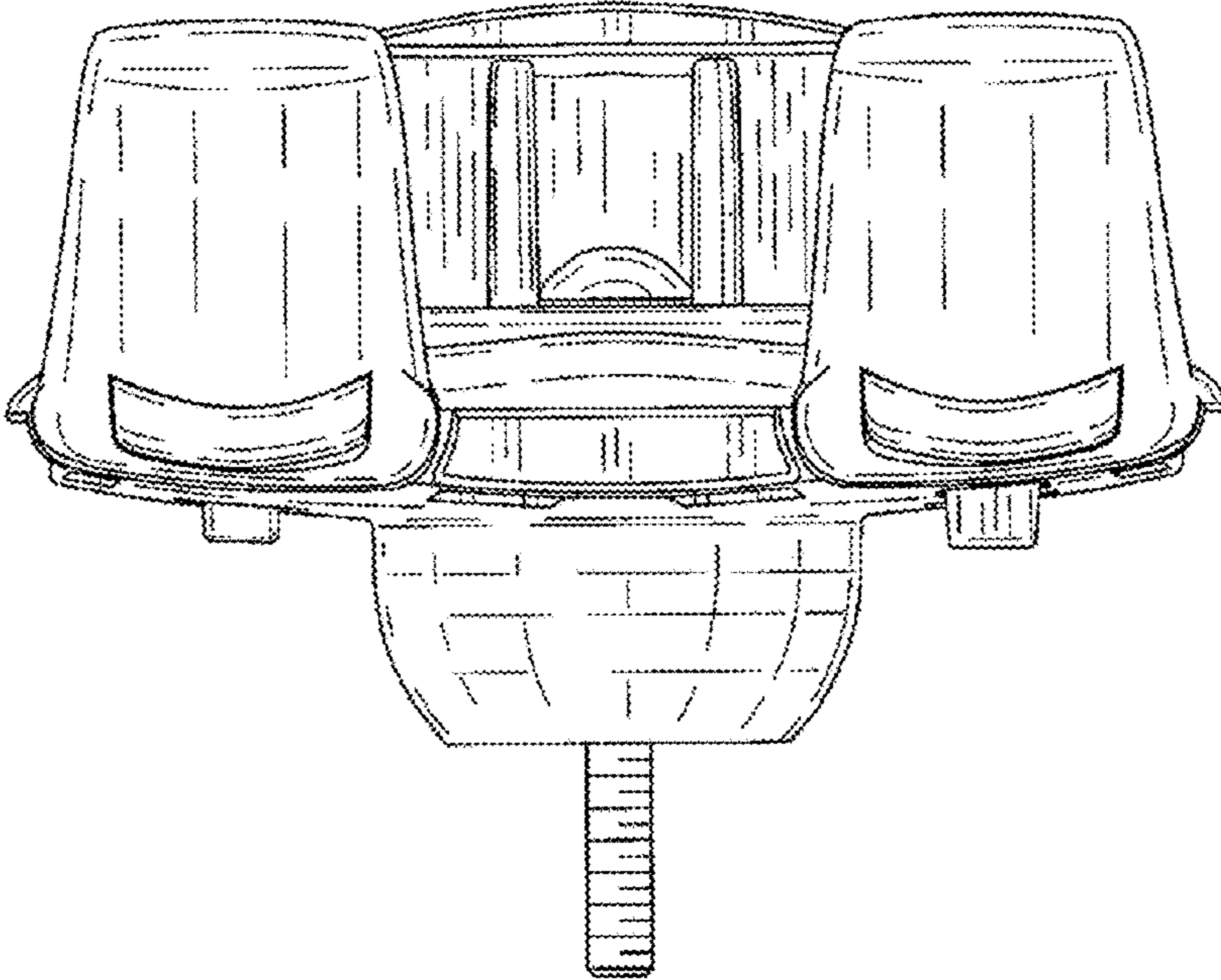


FIG. 7