



US00D766906S

(12) **United States Design Patent**
Kim

(10) **Patent No.:** **US D766,906 S**
(45) **Date of Patent:** **** Sep. 20, 2016**

(54) **CASE FOR WRIST-WORN ELECTRONIC DEVICE COMPRISED OF A FRONT ENCLOSURE MEMBER, A BODY ENCLOSURE MEMBER AND A SCREEN PROTECTOR**

(71) Applicant: **Dae-Young Kim**, Seoul (KR)

(72) Inventor: **Dae-Young Kim**, Seoul (KR)

(73) Assignee: **SPIGEN KOREA CO., LTD.**,
Geumcheon-Gu, Seoul (KR)

(**) Term: **14 Years**

(21) Appl. No.: **29/524,724**

(22) Filed: **Apr. 22, 2015**

(51) **LOC (10) Cl.** **14-02**

(52) **U.S. Cl.**
USPC **D14/440**

(58) **Field of Classification Search**

USPC D14/440, 250, 447, 344, 439, 432, 300;
206/45.23, 320, 45.2; 361/679.55;
294/25; 224/218; 1/1
CPC .. G06F 3/0416; G06F 3/04886; G06F 3/045;
G06F 3/041; G06F 1/1628; G06F 1/1613;
C08F 2/44; B41M 1/12; B32B 7/06; B29C
63/0047; B43L 3/00; H05K 13/00; C11D
17/049; G03B 21/132; H04B 1/3888; H04B
1/385; A47B 23/044; A61B 5/02438; A61B
5/1112; A44C 5/14

See application file for complete search history.

(56) **References Cited**

U.S. PATENT DOCUMENTS

D531,524 S * 11/2006 Behling D10/38
D638,324 S * 5/2011 Tang D10/128

(Continued)

Primary Examiner — Cynthia Underwood

(74) *Attorney, Agent, or Firm* — East West Law Group;
Heedong Chae

(57) **CLAIM**

The ornamental design for a case for wrist-worn electronic device comprised of a front enclosure member, a body enclosure member and a screen protector, as shown and described.

DESCRIPTION

FIG. 1 is a front perspective view of a case, having a front enclosure member, a screen protector and a body enclosure member, for wrist-worn electronic device showing my new design;

FIG. 2 is a rear perspective view thereof;

FIG. 3 is a front elevational view thereof;

FIG. 4 is a rear elevational view thereof;

FIG. 5 is a left side elevational view thereof; and

FIG. 6 is a right side elevational view thereof;

FIG. 7 is a top plan view thereof;

FIG. 8 is a bottom plan view thereof;

FIG. 9 is a front perspective view of the front enclosure member shown separated from the body enclosure member and the screen protector;

FIG. 10 is a rear perspective view of the front enclosure member shown separated from the body enclosure member and the screen protector;

FIG. 11 is a front perspective view of the body enclosure member shown separated from the front enclosure member and the screen protector;

FIG. 12 is a rear perspective view of the body enclosure member shown separated from the front enclosure member and the screen protector;

FIG. 13 is a front perspective view of the screen protector shown separated from the front enclosure member and the screen protector;

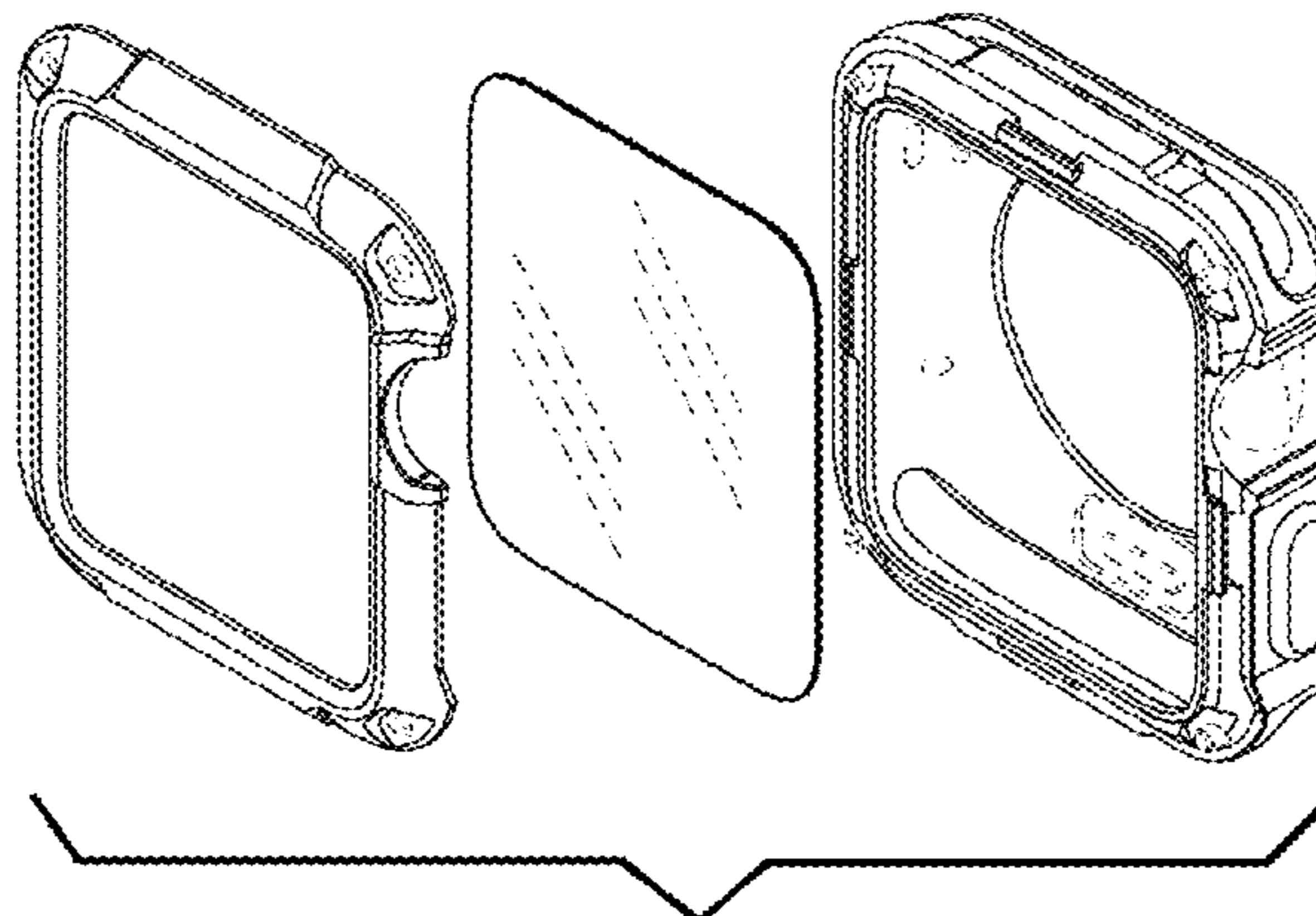
FIG. 14 is a rear perspective view of the screen protector shown separated from the front enclosure member and the screen protector;

FIG. 15 is a front perspective view of the case for wrist-worn electronic device comprised of a front enclosure member, a body enclosure member and a screen protector in which the front enclosure member, the screen protector and the body enclosure member are shown separated for clarity of disclosure; and,

FIG. 16 is a rear perspective view of the case for wrist-worn electronic device comprised of a front enclosure member, a body enclosure member and a screen protector in which the front enclosure member, the screen protector and the body enclosure member are shown separated for clarity of disclosure.

The broken lines depict environmental subject matter and form no part of the claim.

1 Claim, 16 Drawing Sheets



(56)

References Cited

U.S. PATENT DOCUMENTS

D647,107 S *	10/2011	Akana	D14/203.3	D735,198 S *	7/2015	Song	D14/432
D656,135 S *	3/2012	Swartz	D14/238.1	D735,199 S *	7/2015	Song	D14/432
8,256,612 B1 *	9/2012	Wang	A45C 11/00	D735,200 S *	7/2015	Song	D14/432
				206/320	D735,586 S *	8/2015	Stegmann	D10/30
D671,930 S *	12/2012	Akana	D14/250	D735,724 S *	8/2015	Song	D14/432
D674,789 S *	1/2013	Wen	D14/250	D736,103 S *	8/2015	Behling	D10/30
D678,262 S *	3/2013	Prato	D14/250	D751,558 S *	3/2016	Lee	D10/103
D681,483 S *	5/2013	Biegert	D10/38	D752,044 S *	3/2016	Akana	D14/344
D688,582 S *	8/2013	Wilson	D10/128	D754,133 S *	4/2016	Chen	D14/440
D688,967 S *	9/2013	Wilson	D10/128	2010/0061191 A1 *	3/2010	Chen	A44C 5/0069
8,523,124 B2 *	9/2013	Yuan	F16M 11/10					368/109
				248/188.8	2011/0297578 A1 *	12/2011	Stiehl	B29C 45/1676
D693,709 S *	11/2013	Lee	D10/65					206/701
D703,649 S *	4/2014	Wikel	D14/250	2012/0043236 A1 *	2/2012	Szucs	A45C 11/00
D714,295 S *	9/2014	Fujioka	D14/440					206/320
D716,312 S *	10/2014	Fujioka	D14/440	2012/0182678 A1 *	7/2012	Wu	A45F 5/10
D723,016 S *	2/2015	Lee	D14/250					361/679.01
D728,549 S *	5/2015	Su	D14/250	2012/0257340 A1 *	10/2012	Kim	H04B 1/3888
D730,225 S *	5/2015	Behar	D10/103					361/679.01
					2013/0222139 A1 *	8/2013	Gouge	A61B 5/01
									340/573.1

* cited by examiner

FIG. 1

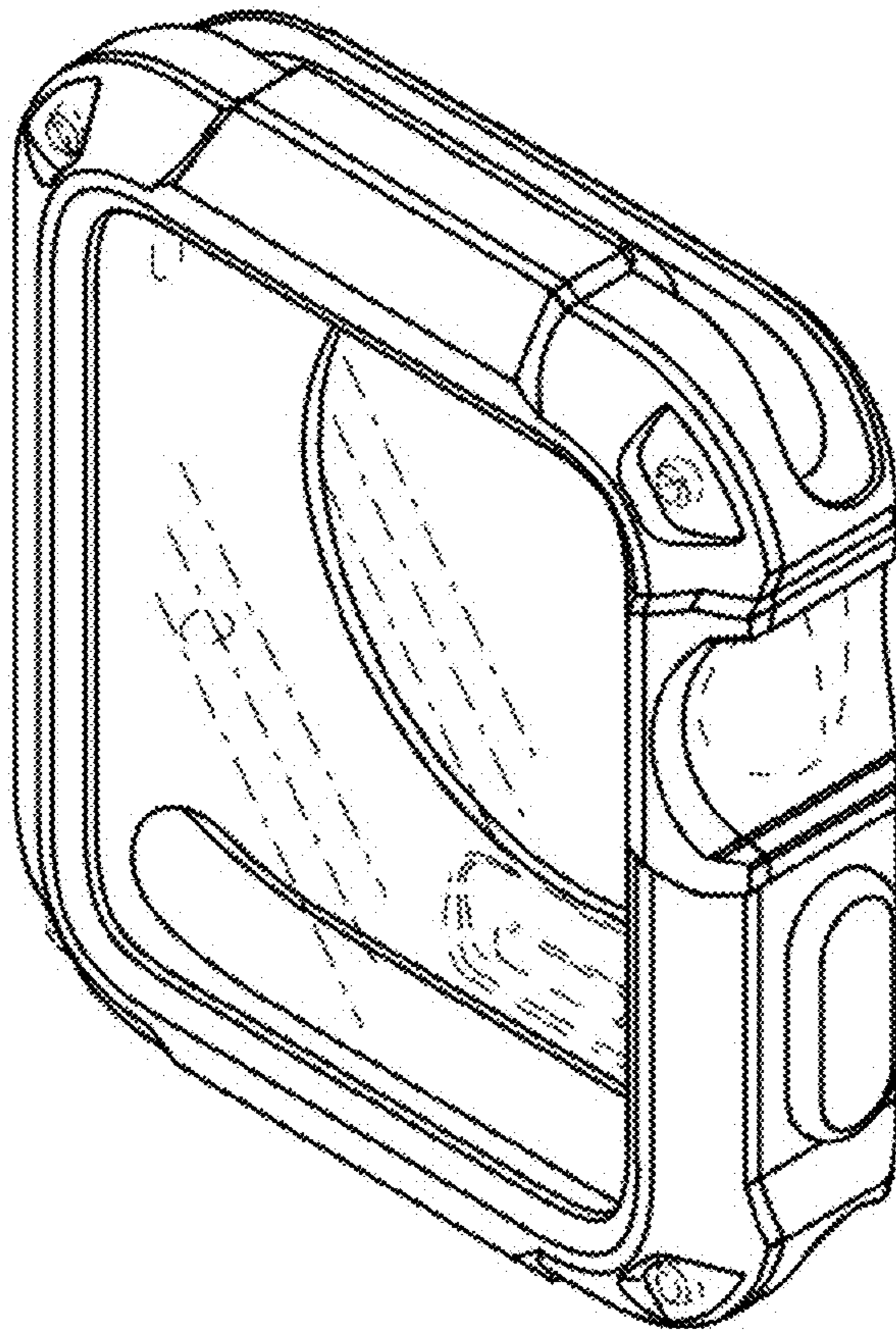


FIG. 2

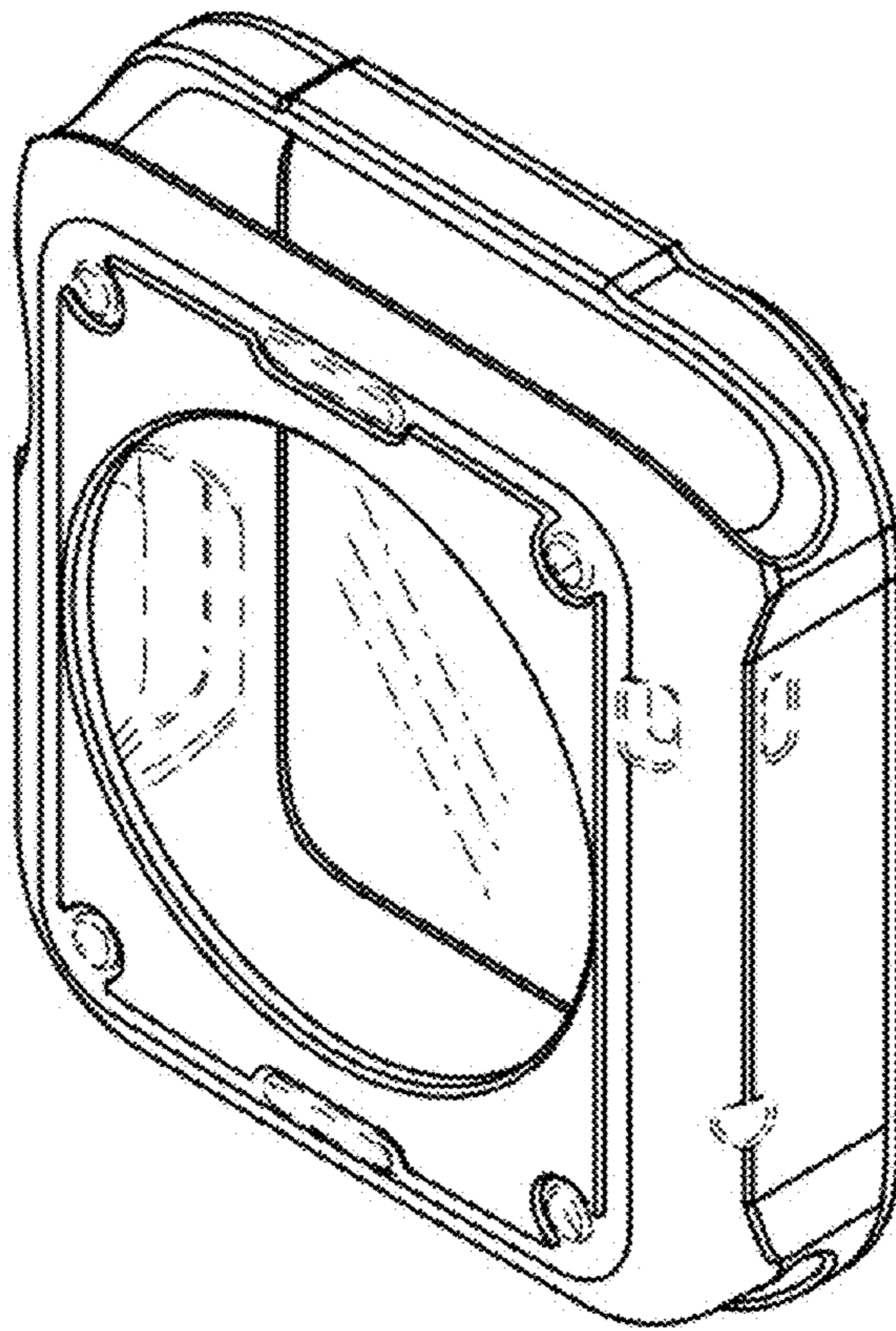


FIG. 3

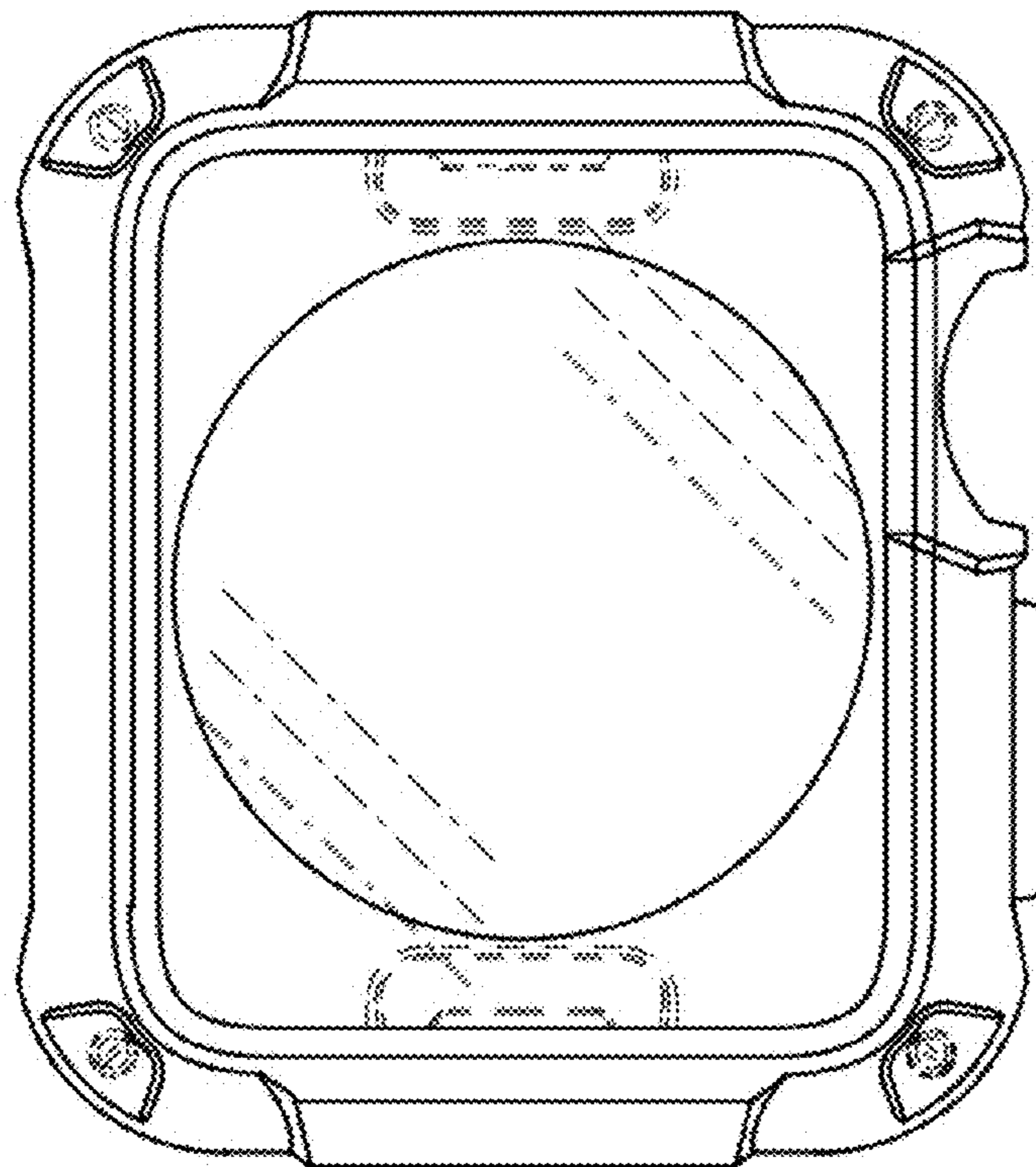


FIG. 4

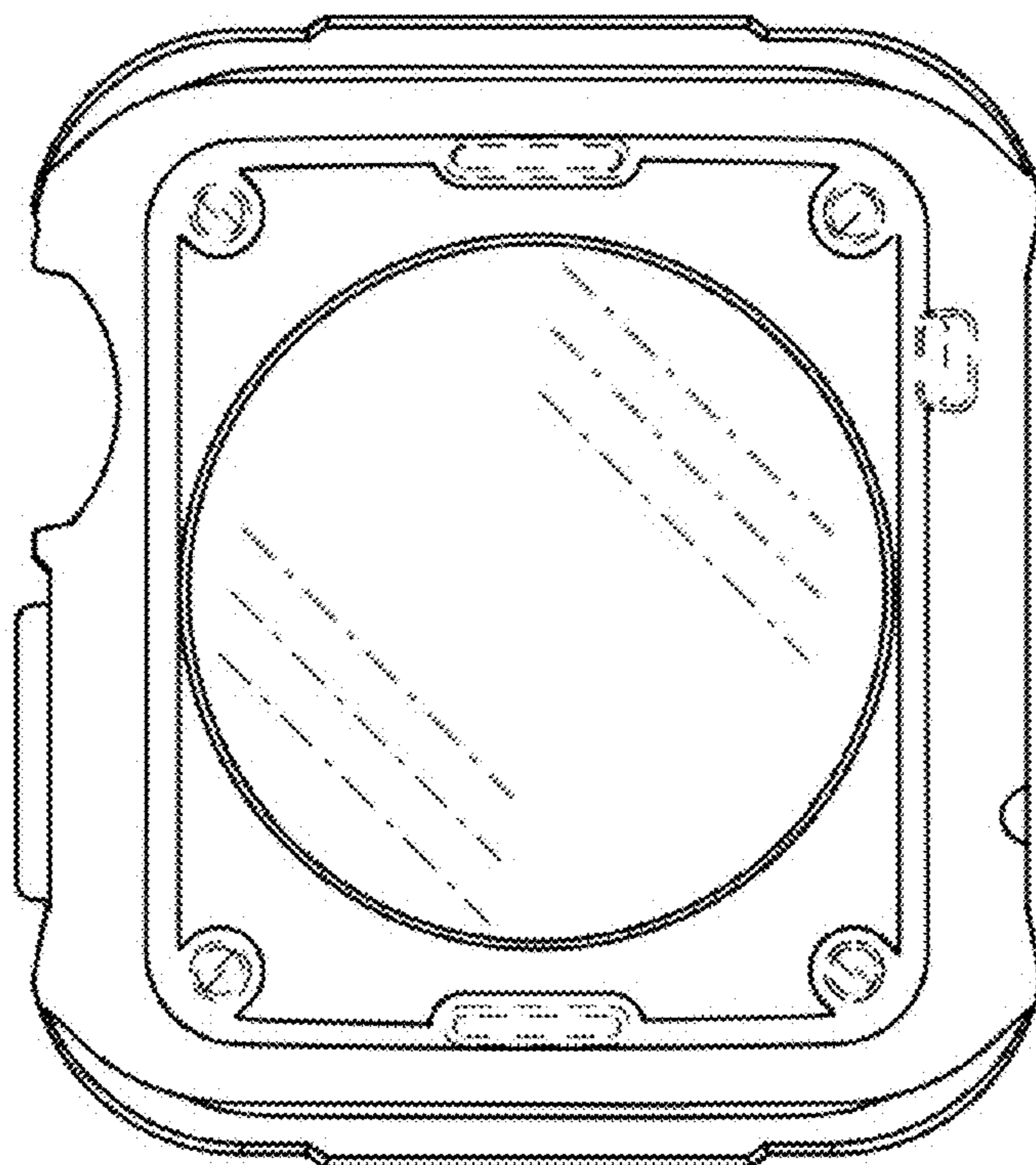


FIG. 5

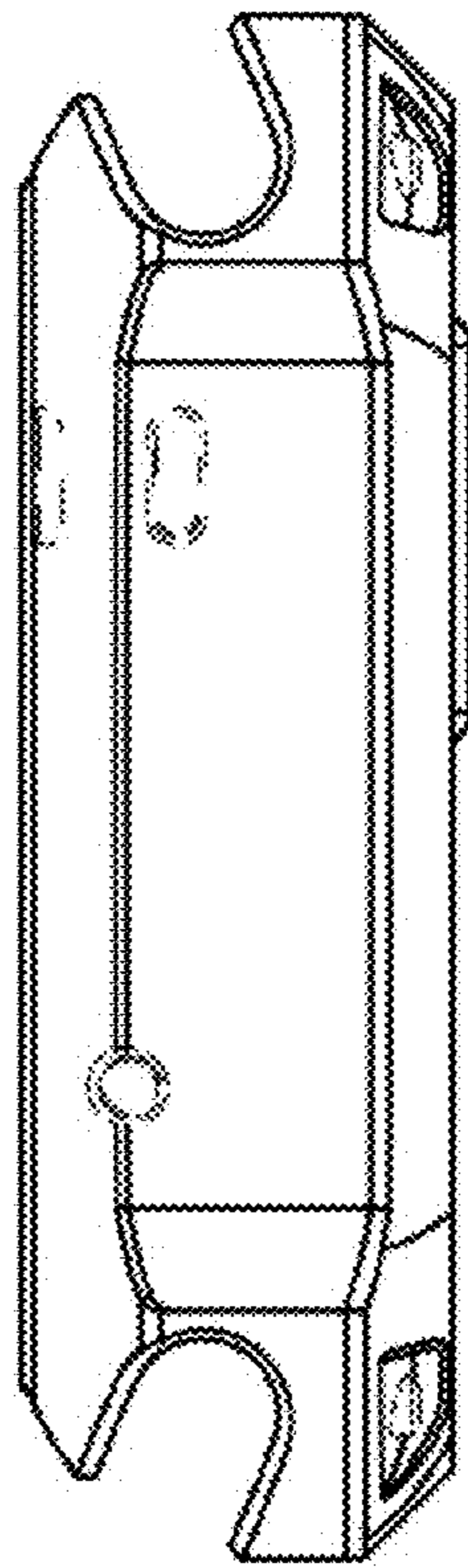


FIG. 6

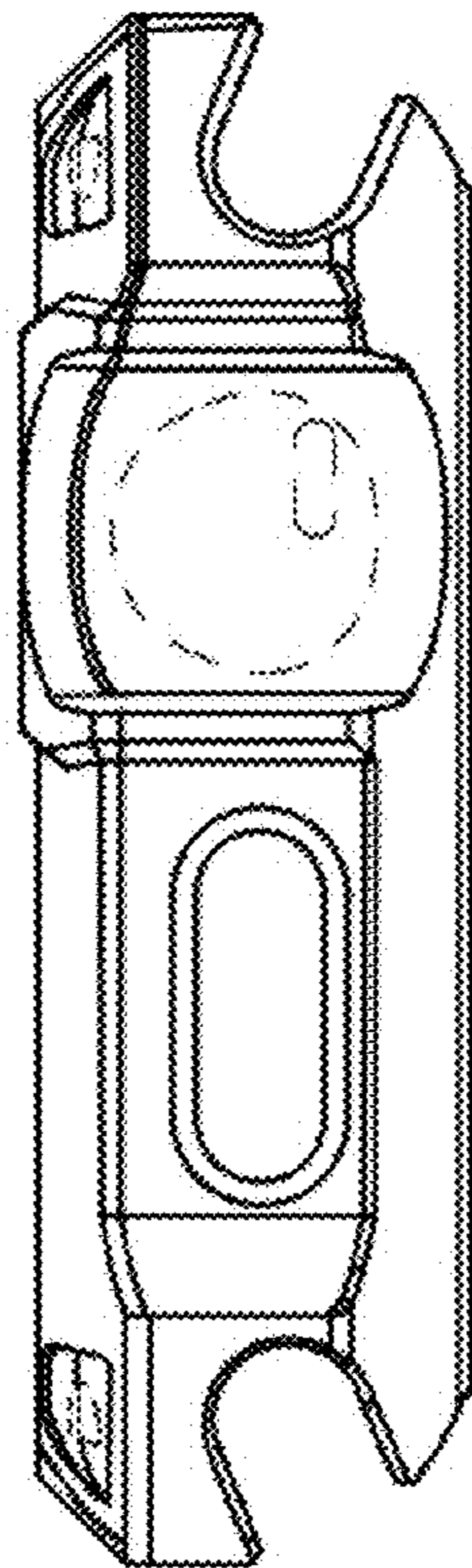


FIG. 7

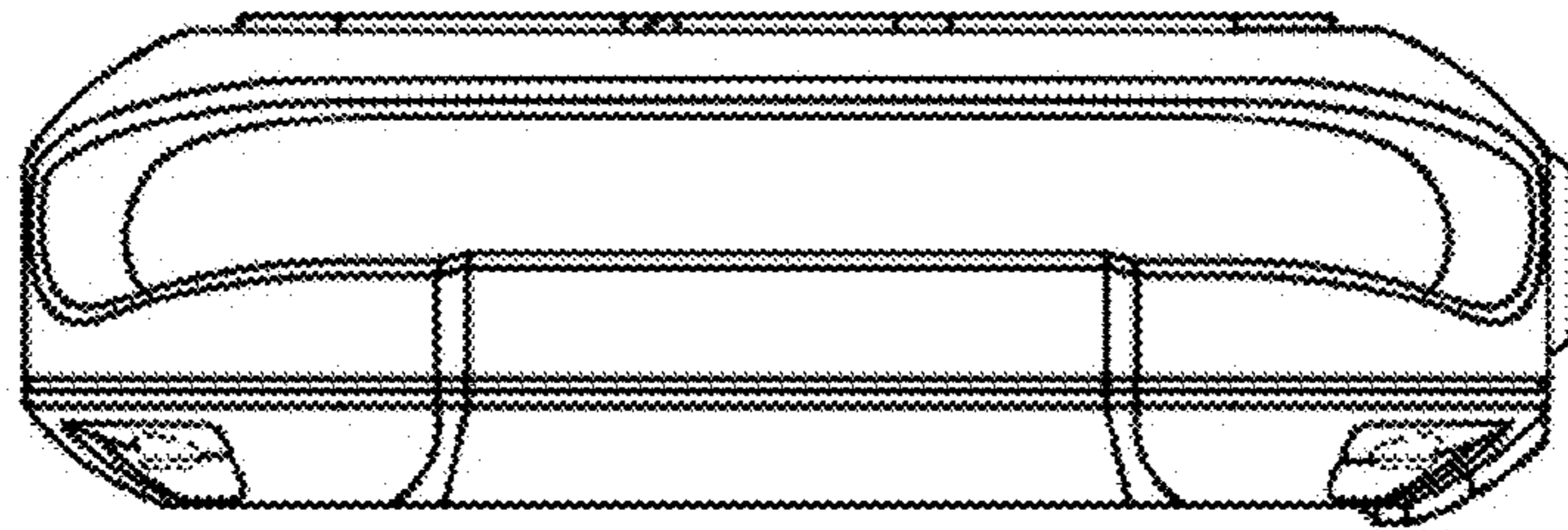


FIG. 8

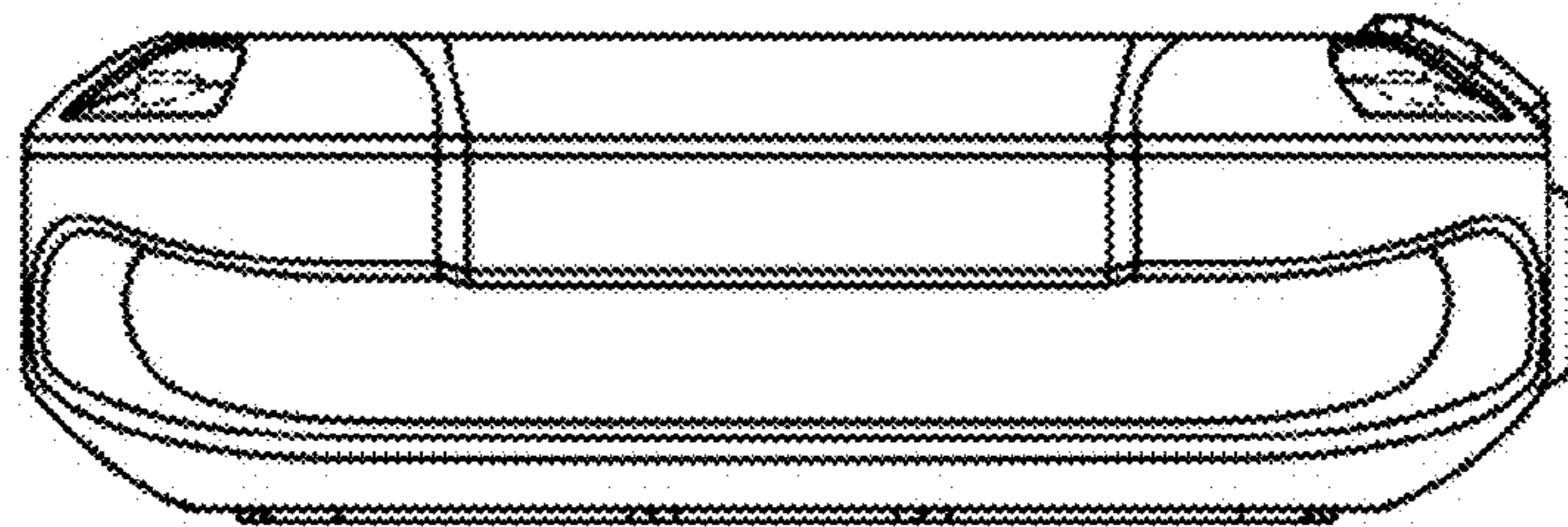


FIG. 9

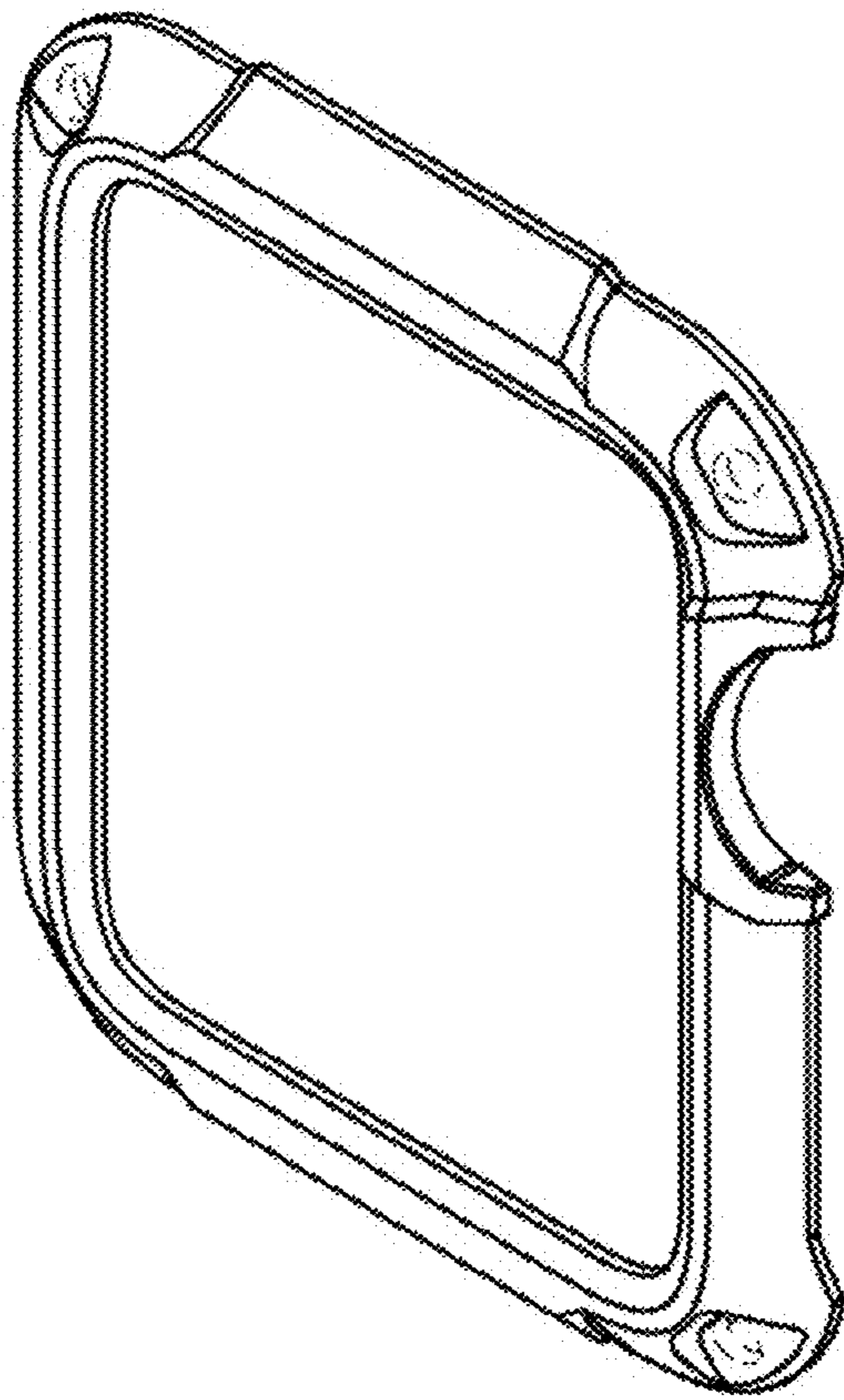


FIG. 10

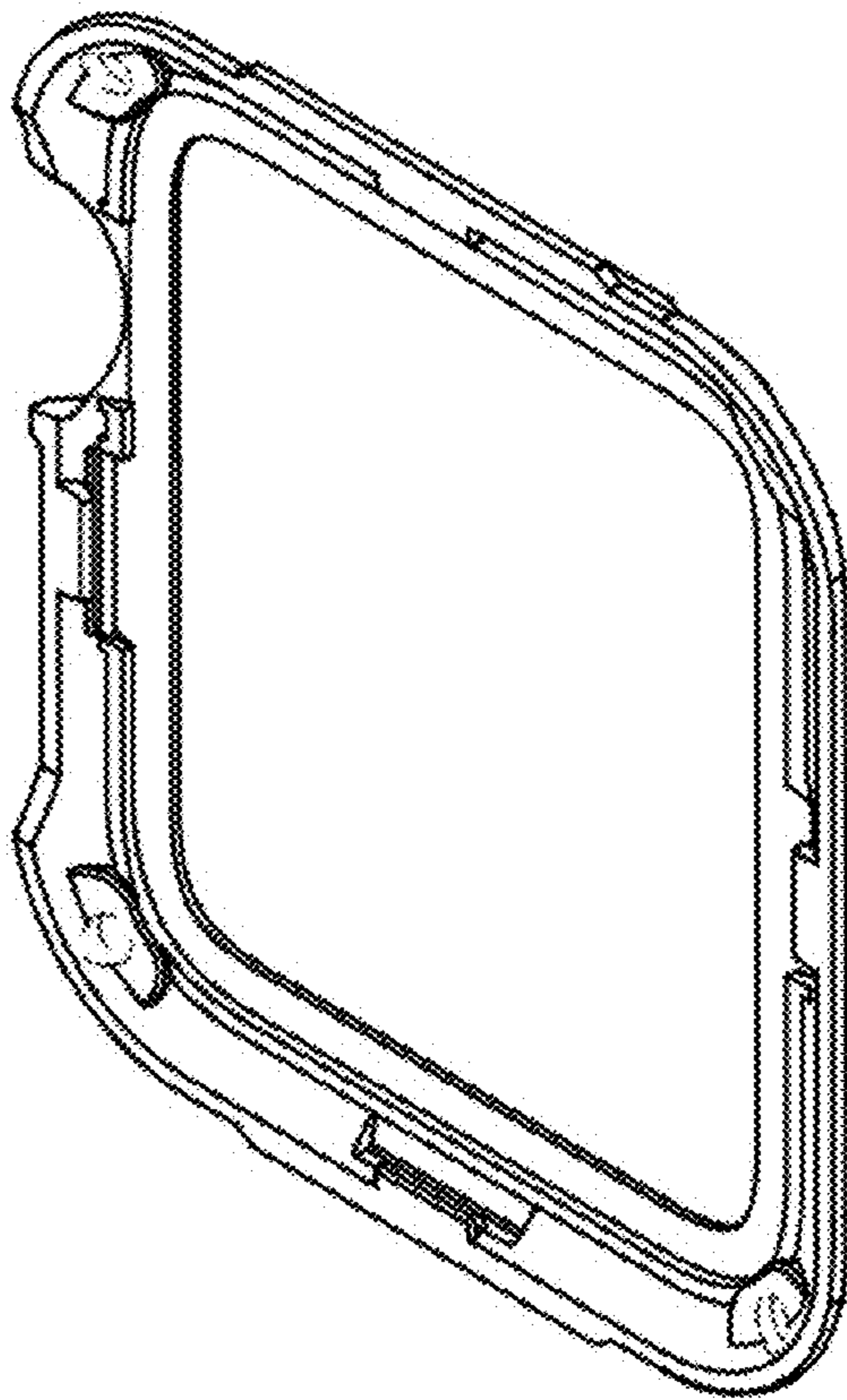


FIG. 11

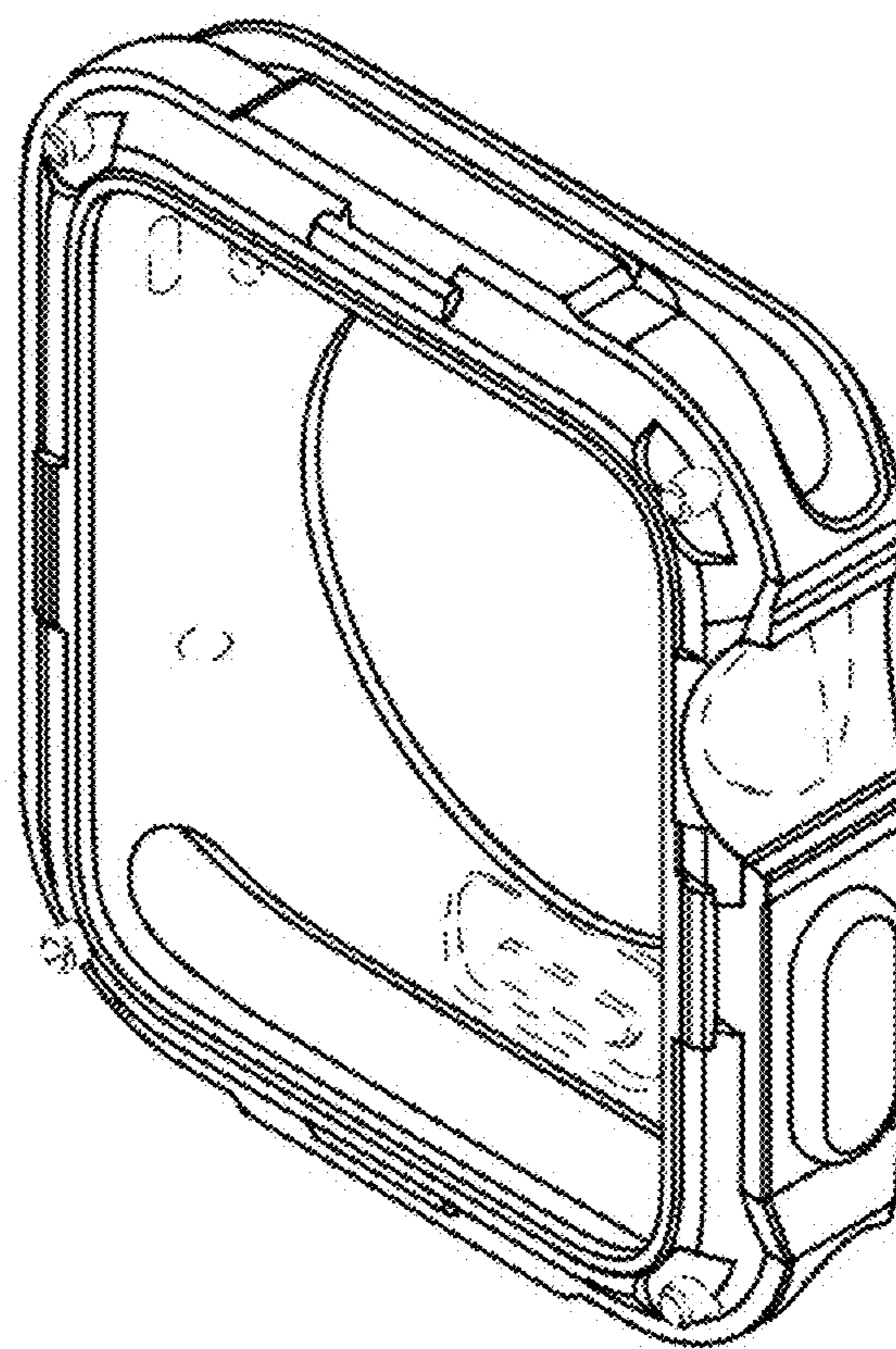


FIG. 12

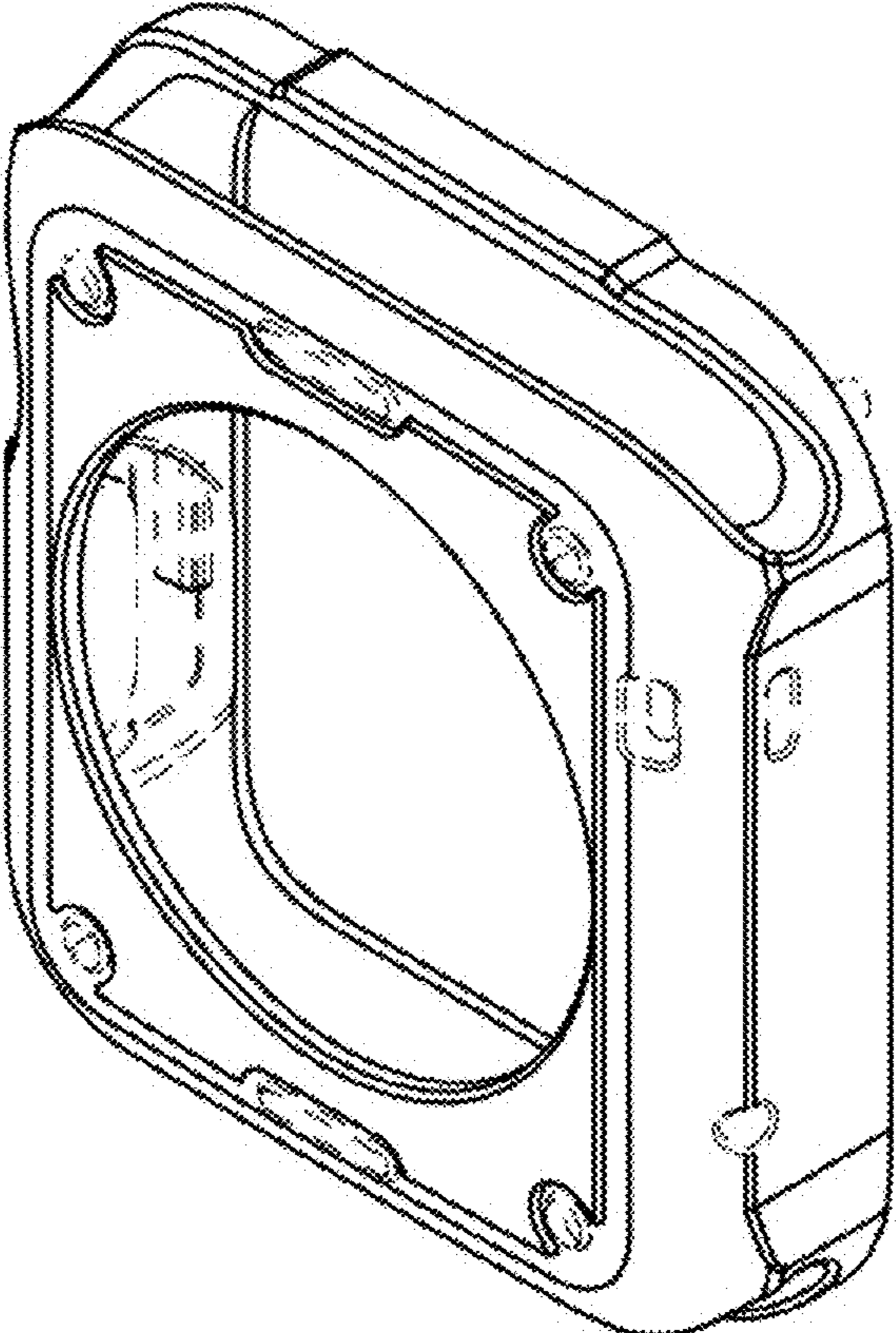


FIG. 13

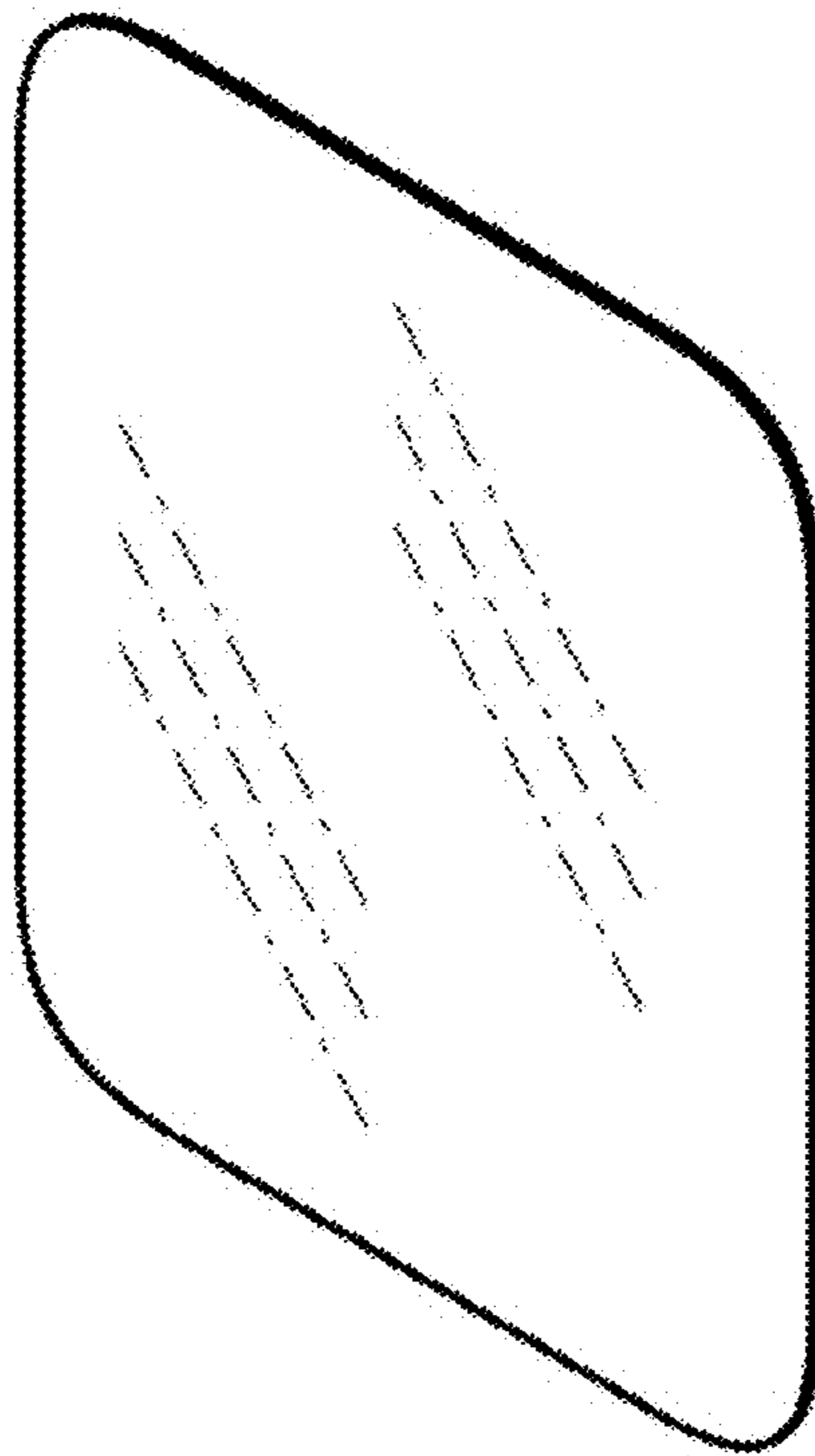


FIG. 14

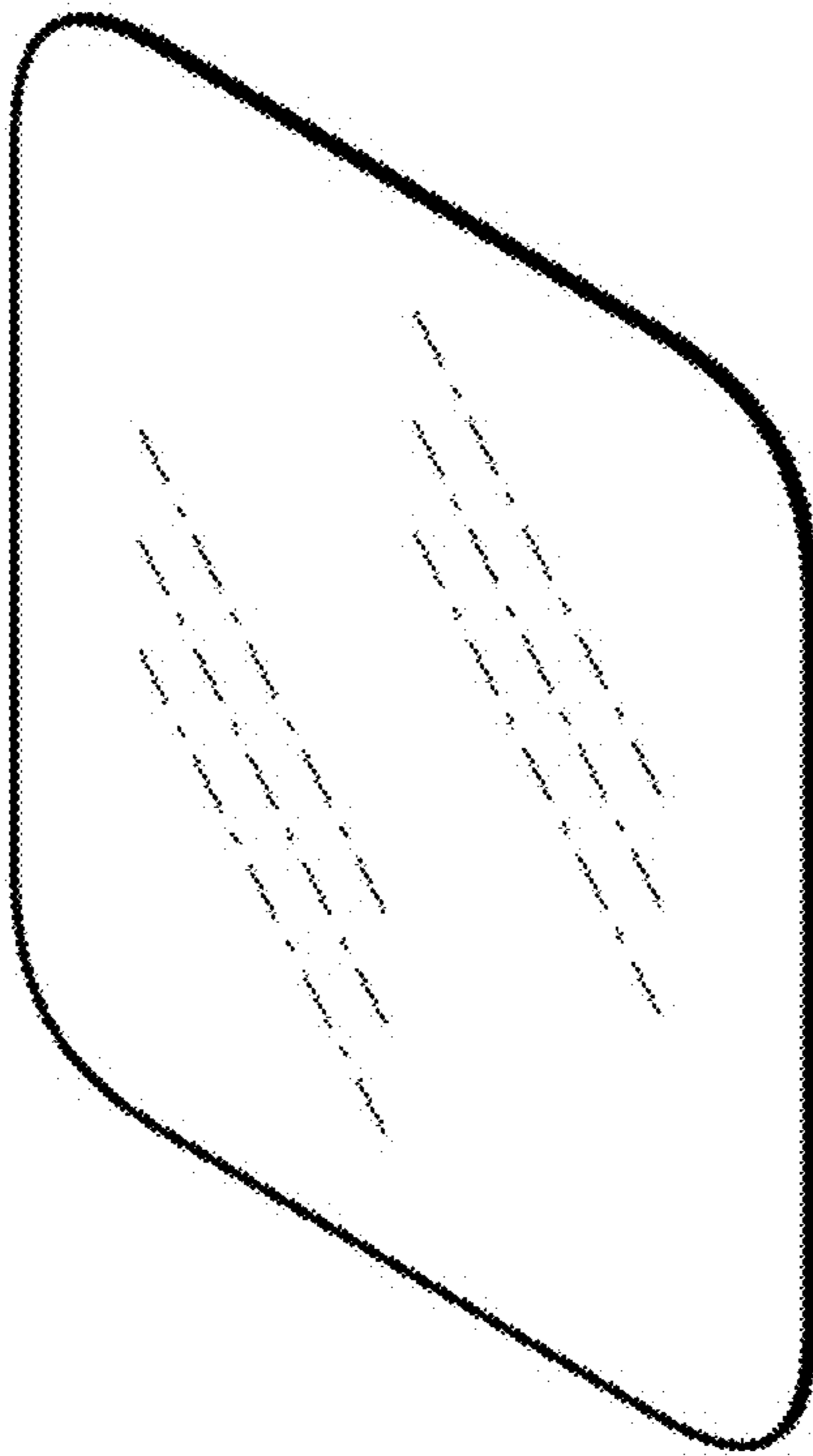


FIG. 15

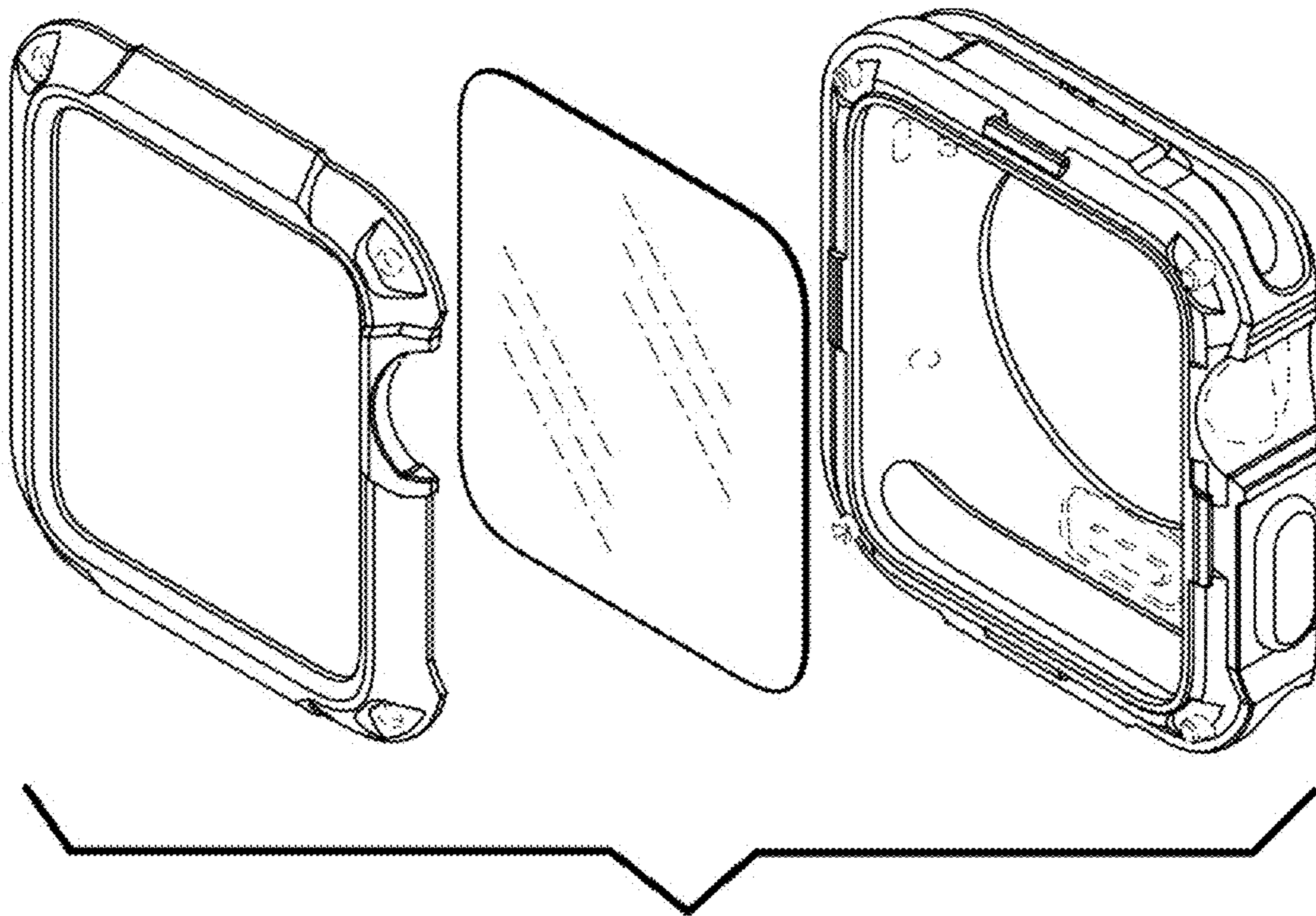


FIG. 16

