



US00D766903S

(12) **United States Design Patent**
Young et al.

(10) **Patent No.:** **US D766,903 S**

(45) **Date of Patent:** **** Sep. 20, 2016**

(54) **MOUSE USER INTERFACE**

(71) Applicant: **MAD CATZ INTERACTIVE, INC.**,
San Diego, CA (US)

(72) Inventors: **Andrew Brian Young**, Oakdale (GB);
Robert Ian Hall, Bristol (GB)

(73) Assignee: **MAD CATZ INTERACTIVE, INC.**,
San Diego, CA (US)

(**) Term: **15 Years**

(21) Appl. No.: **29/529,769**

(22) Filed: **Jun. 10, 2015**

(51) **LOC (10) Cl.** **14-02**

(52) **U.S. Cl.**
USPC **D14/402**

(58) **Field of Classification Search**
USPC D14/402–411, 356, 388, 389, 383–385,
D14/417, 426; 345/156–167; 463/36–38;
358/471, 473; 273/148 B
CPC G06F 3/03543; G06F 2203/0333;
G06F 3/039; G06F 3/038; G06F 2203/0384
See application file for complete search history.

(56) **References Cited**

U.S. PATENT DOCUMENTS

D411,189 S * 6/1999 Liao D14/409
D614,187 S * 4/2010 Blanchard D14/402
D618,684 S * 6/2010 Ng D14/402

D627,355 S * 11/2010 Blanchard D14/402
D665,392 S * 8/2012 Jost D14/409
D667,409 S * 9/2012 Kujawski D14/409
D680,113 S * 4/2013 Li D14/409
D688,245 S * 8/2013 Guerra D14/409
D688,664 S * 8/2013 Guerra D14/409
D712,903 S * 9/2014 Lai D14/409
D744,485 S * 12/2015 Young D14/409
2004/0233169 A1 * 11/2004 Willat G06F 3/03543
345/163
2009/0046064 A1 * 2/2009 Manalo G06F 3/03543
345/164

* cited by examiner

Primary Examiner — Austin Murphy

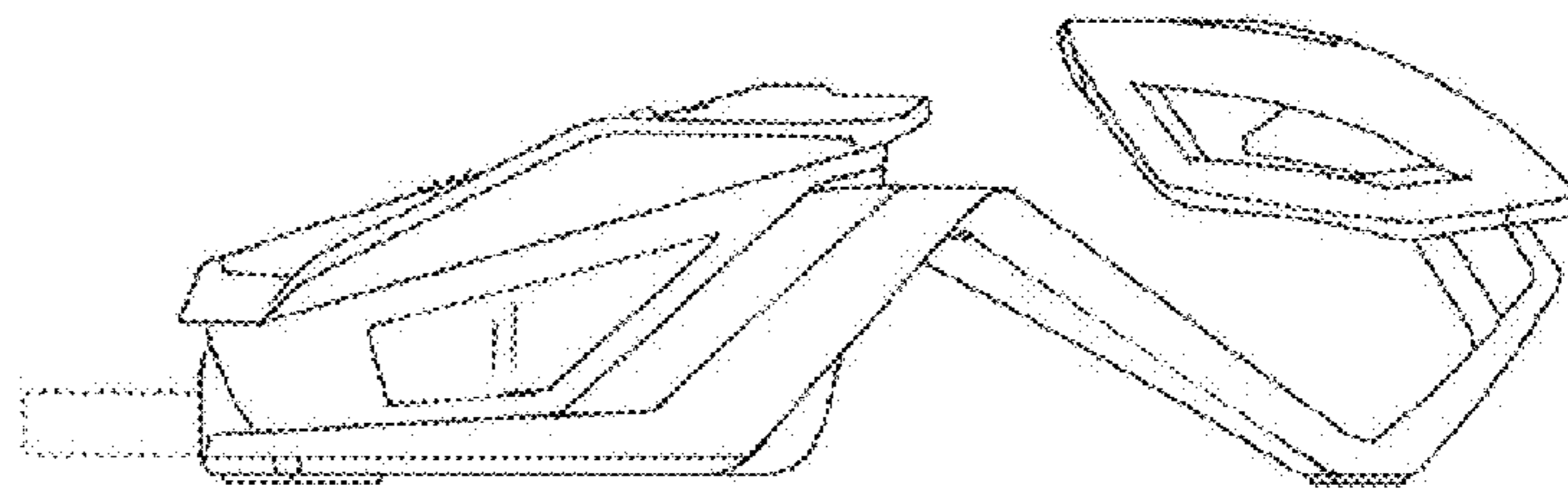
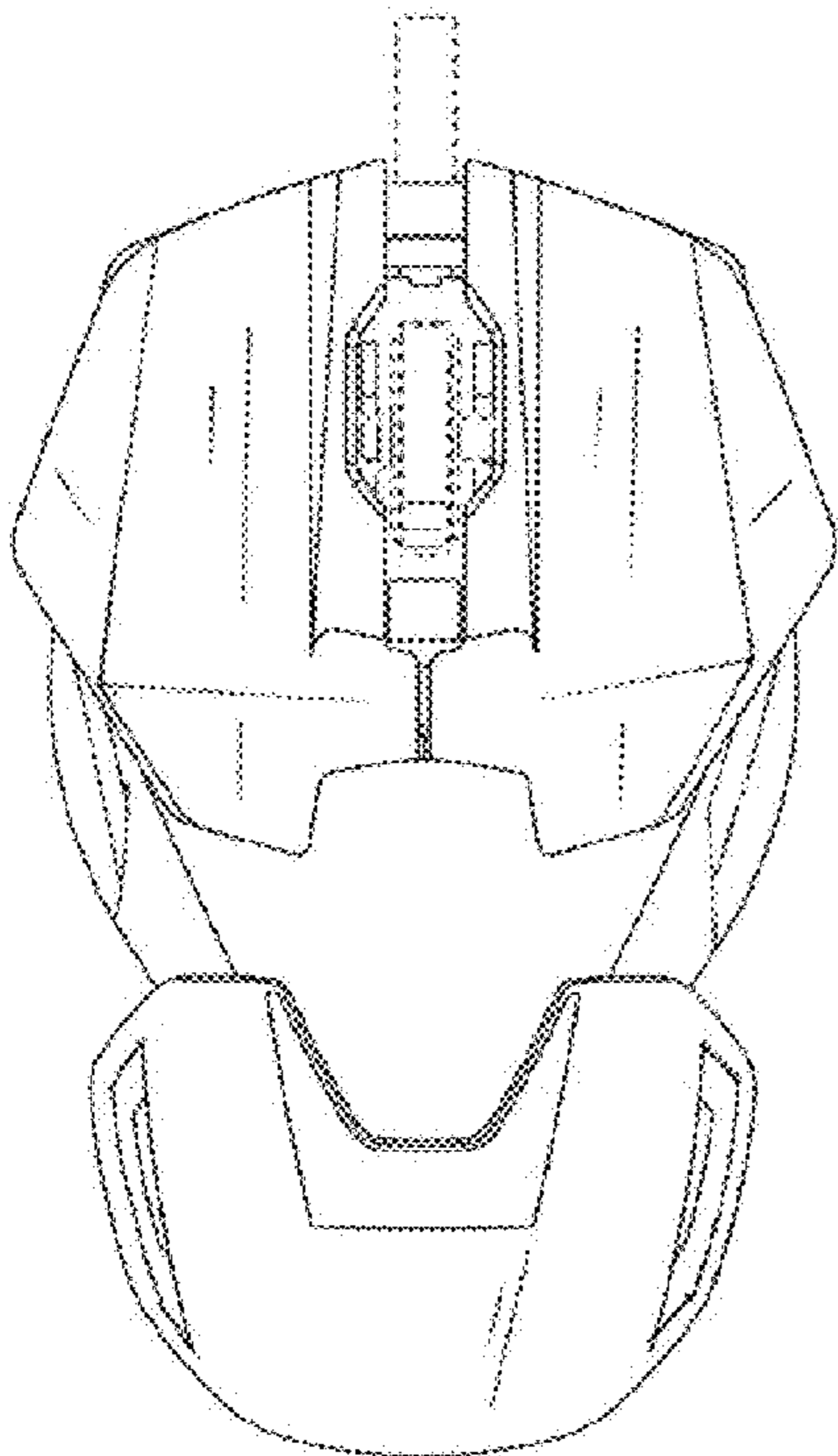
(57) **CLAIM**

The ornamental design for a mouse user interface, as shown and described.

DESCRIPTION

FIG. 1 is a top perspective view of a mouse user interface; FIG. 2 is a second top perspective view thereof; FIG. 3 is a first bottom perspective view thereof; FIG. 4 is a second bottom perspective view thereof; FIG. 5 is a top view thereof; FIG. 6 is a bottom view thereof; FIG. 7 is a front view thereof; FIG. 8 is a rear view thereof; FIG. 9 is a right side view thereof; and, FIG. 10 is a left side view thereof. The broken lines in the drawings form no part of the claimed design.

1 Claim, 10 Drawing Sheets



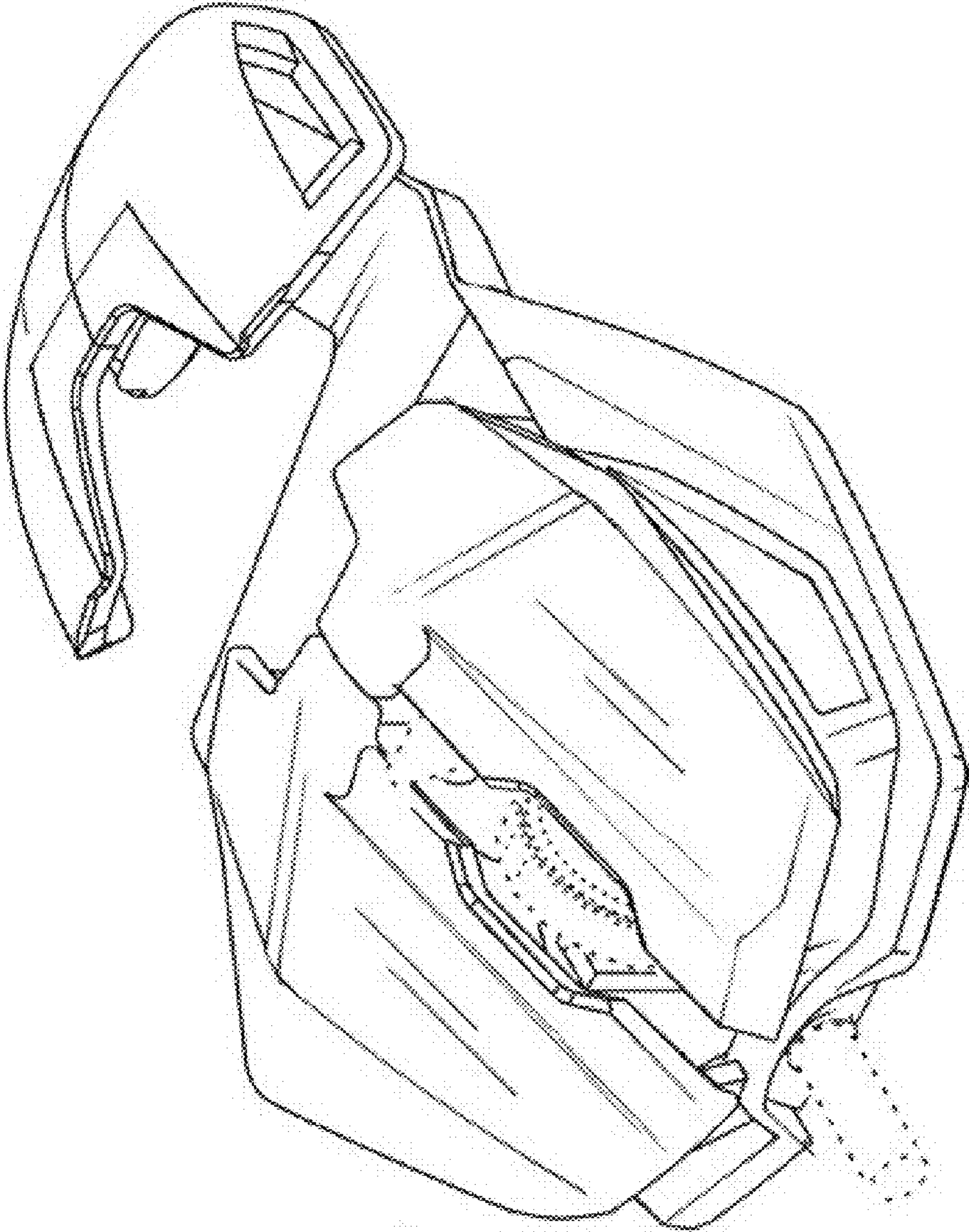


FIG. 1

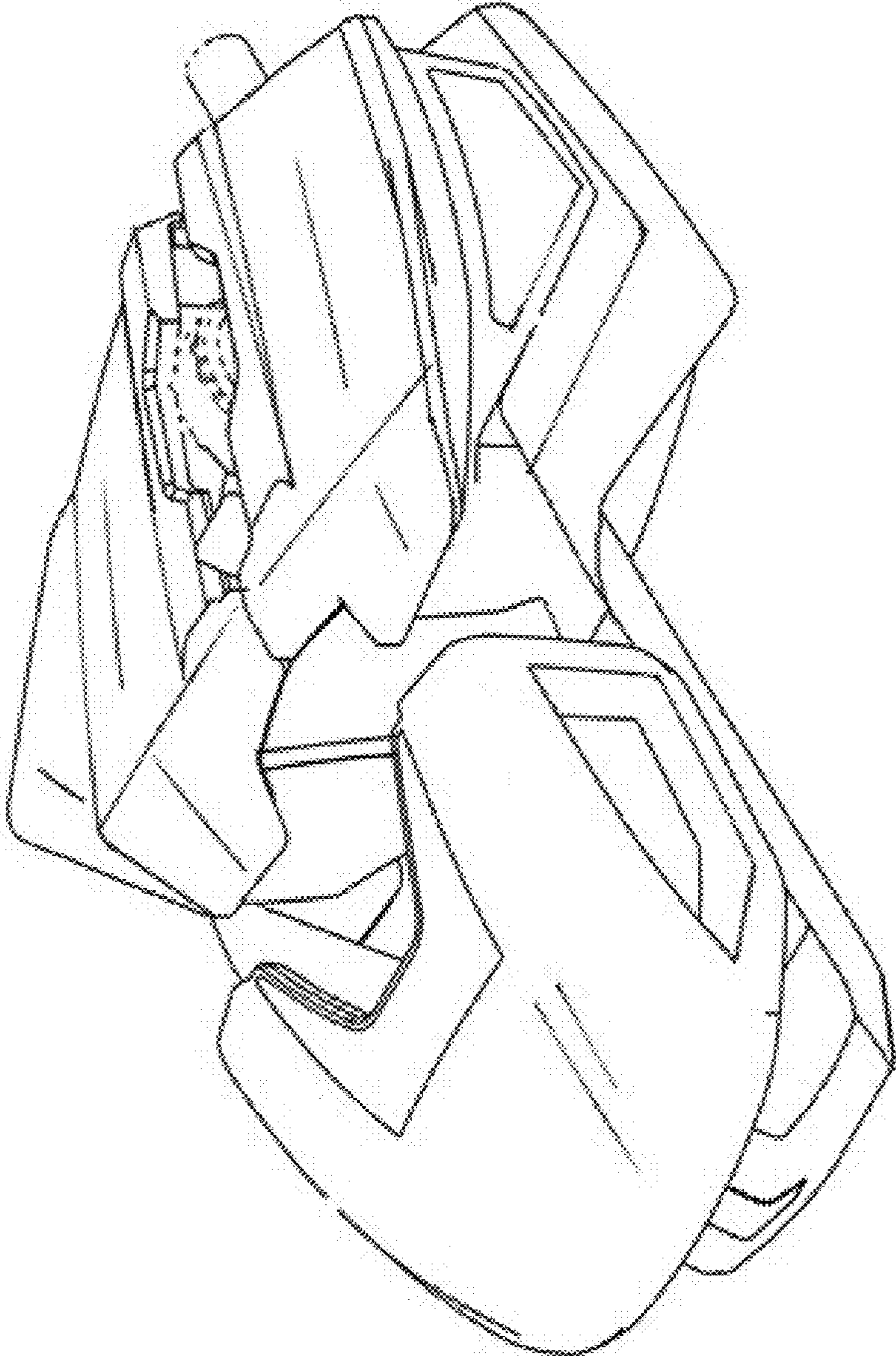


FIG. 2

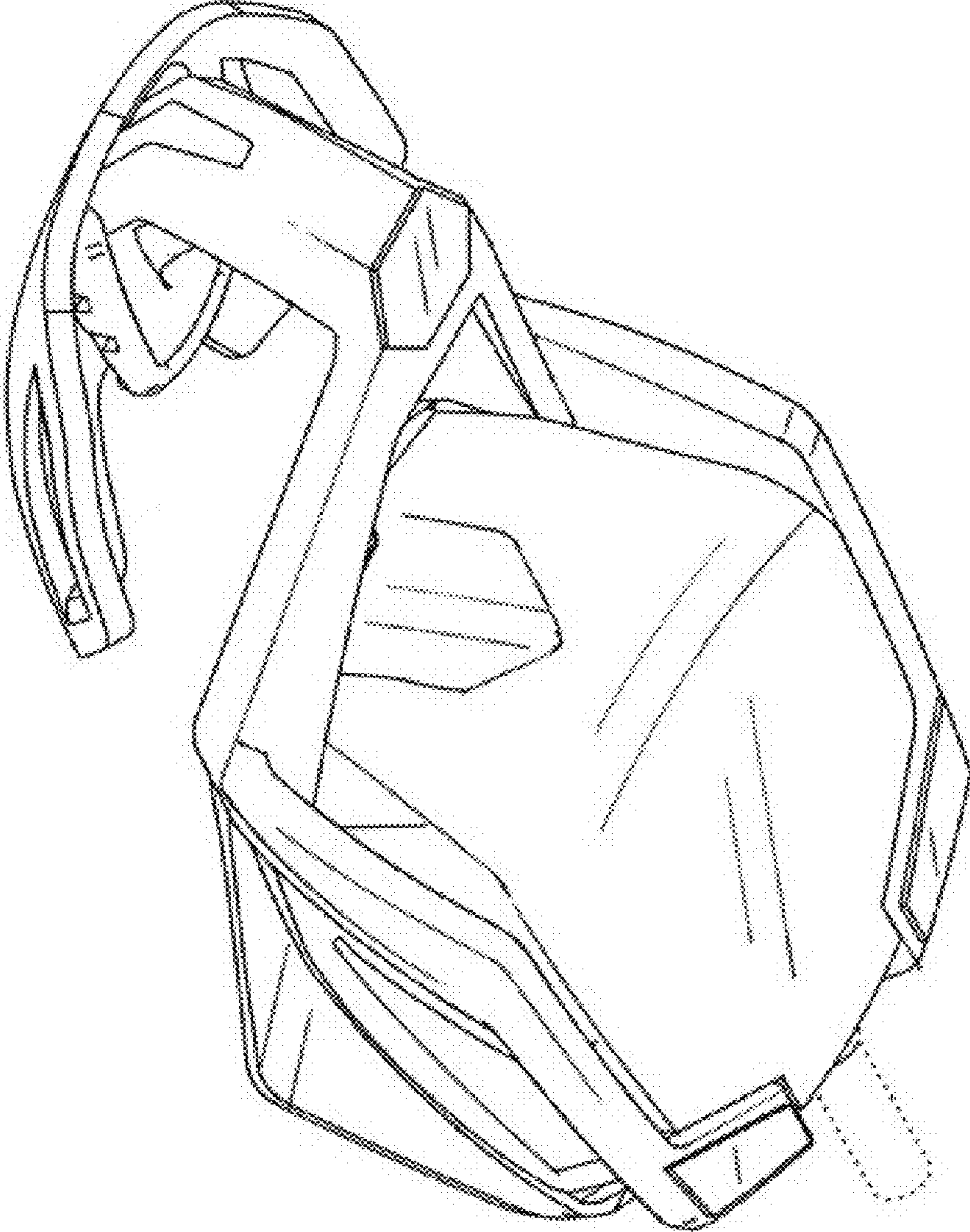


FIG. 3

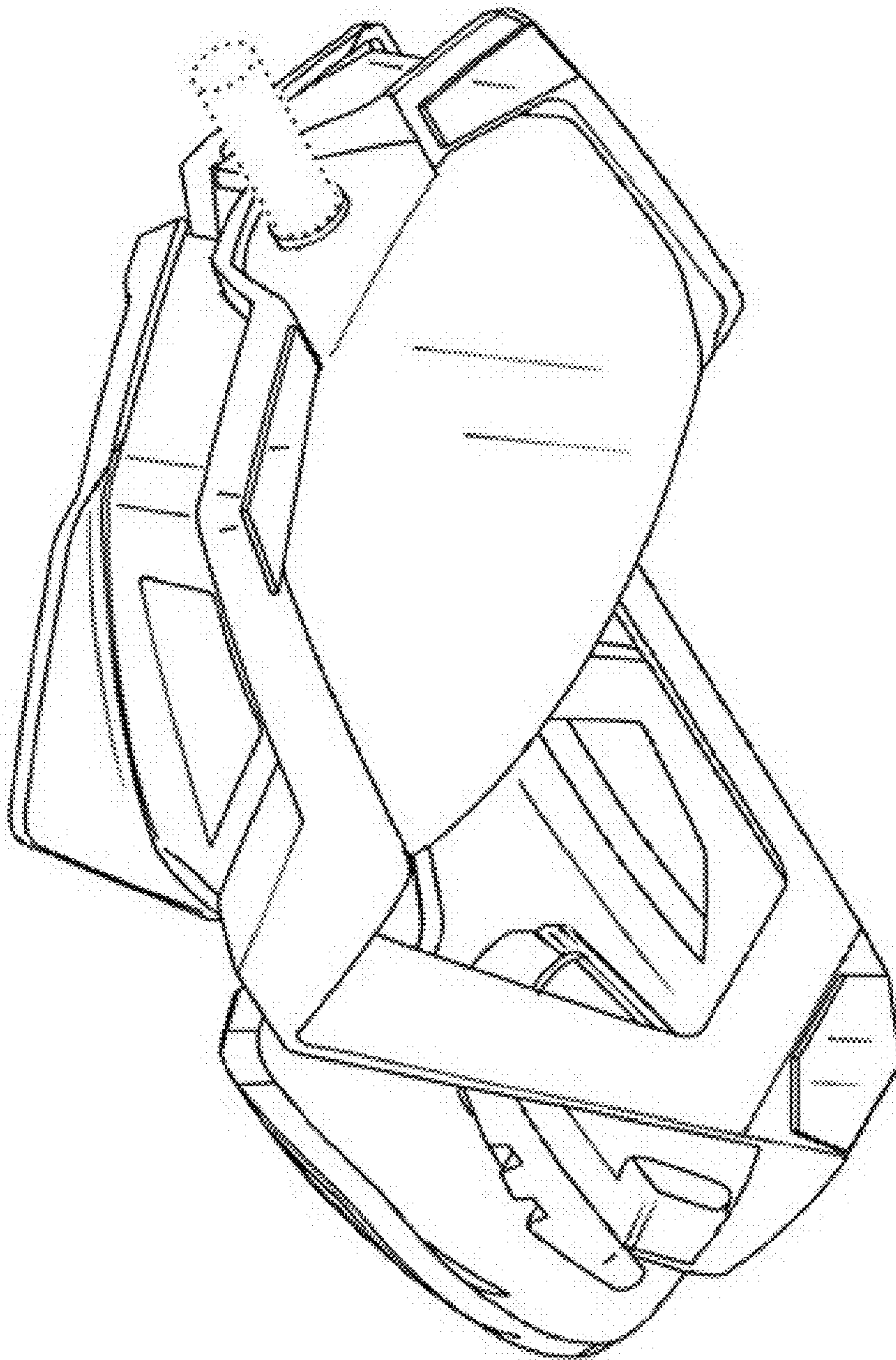


FIG. 4

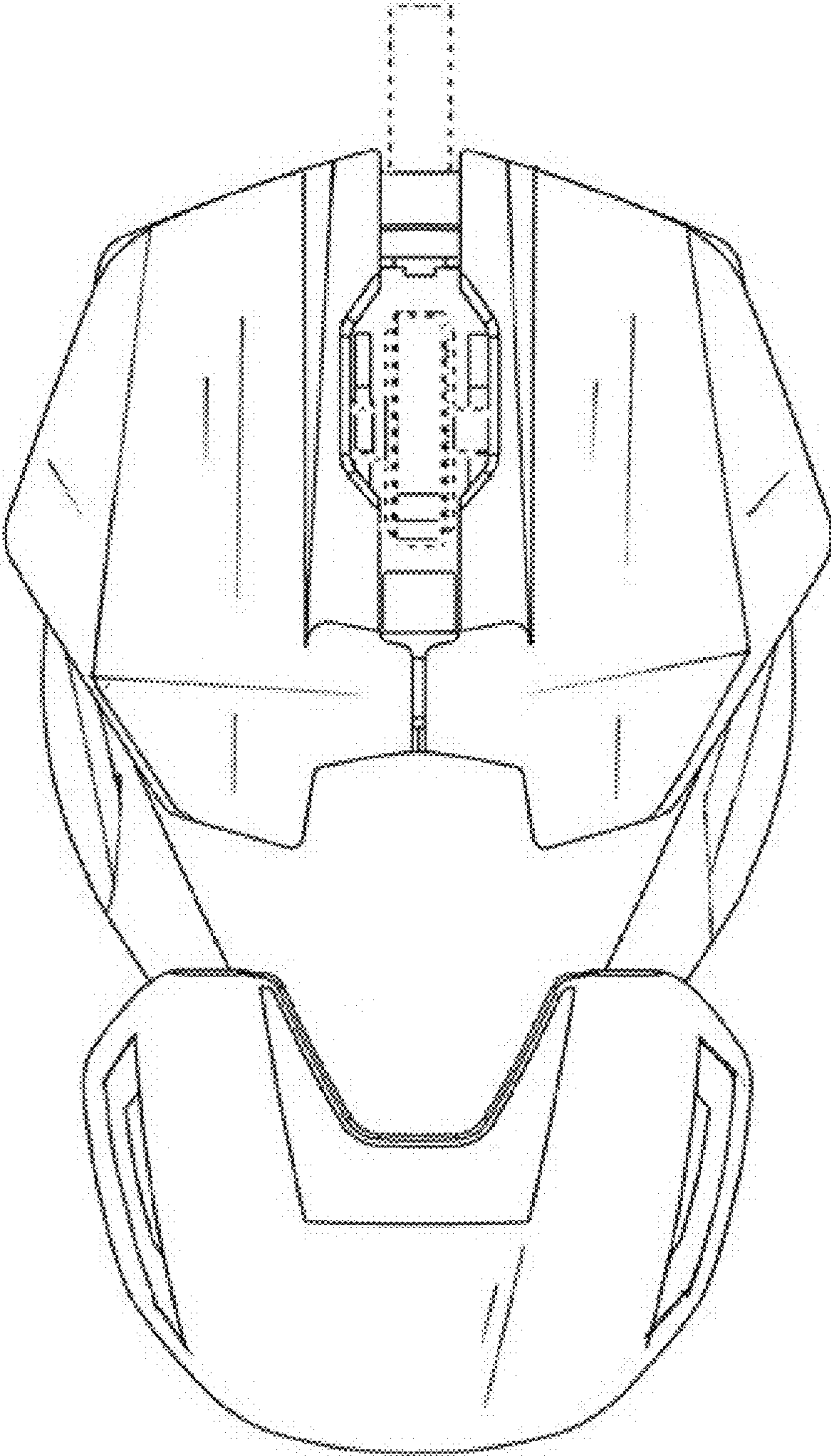


FIG. 5

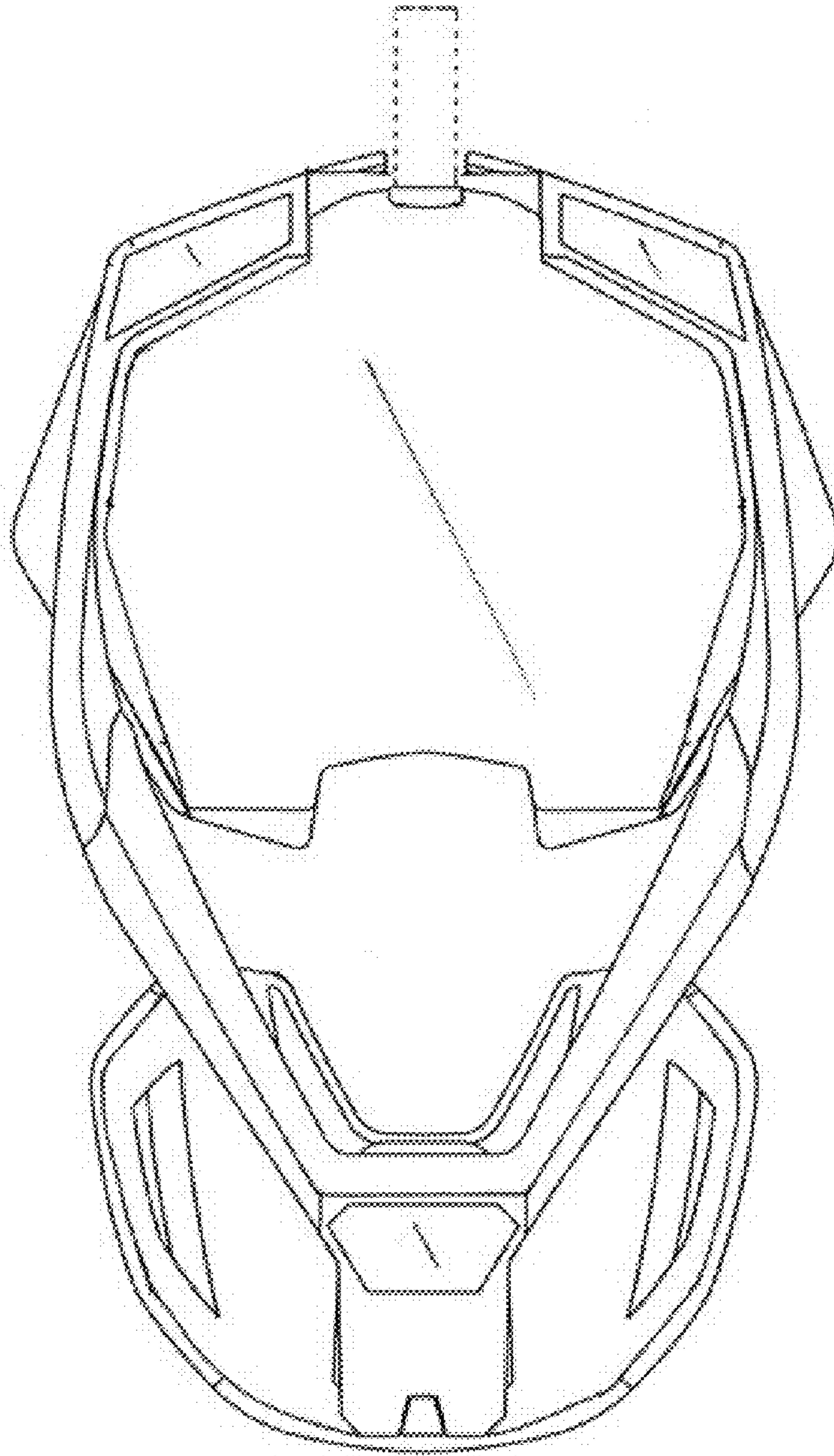


FIG. 6

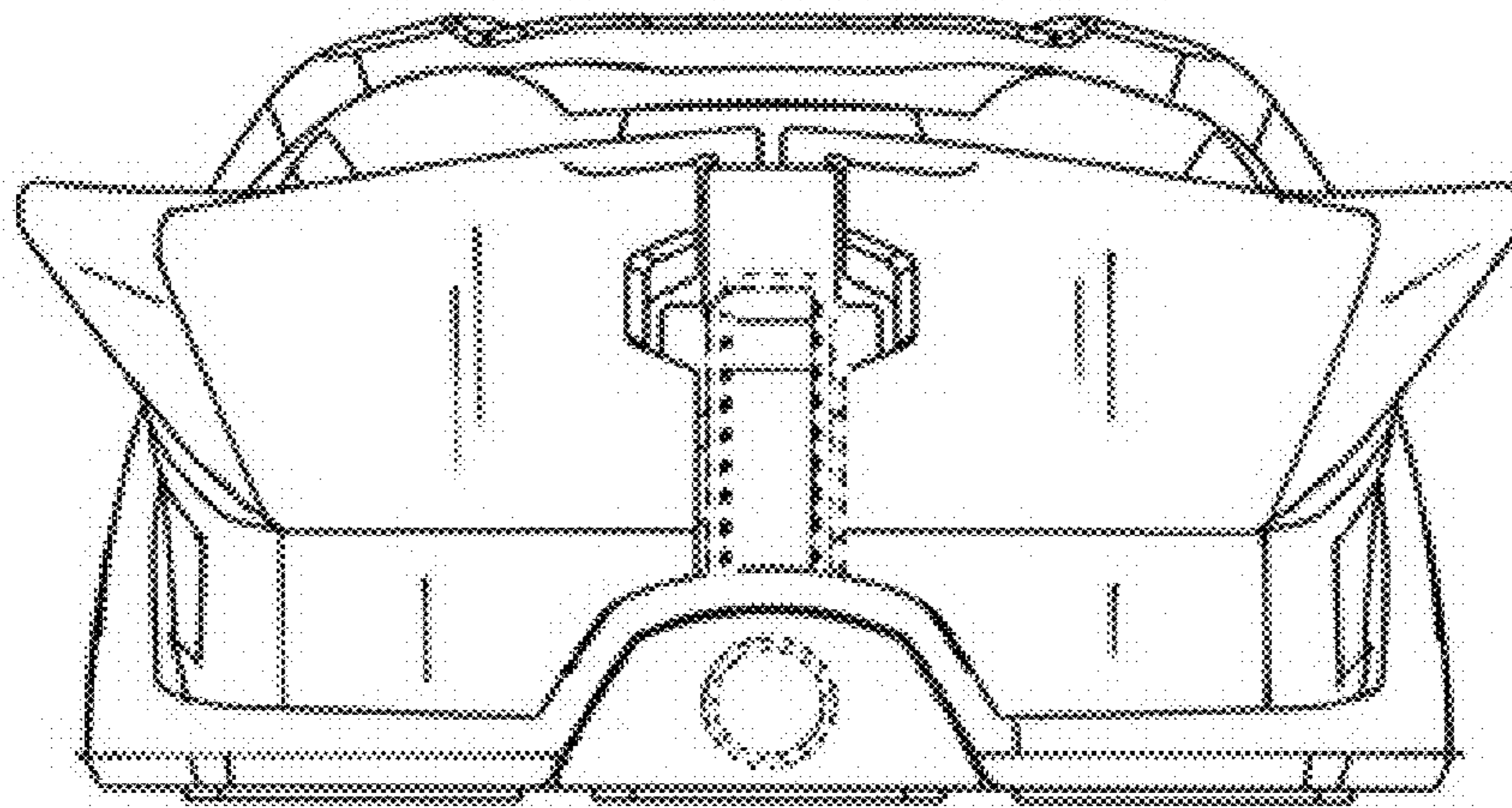


FIG. 7

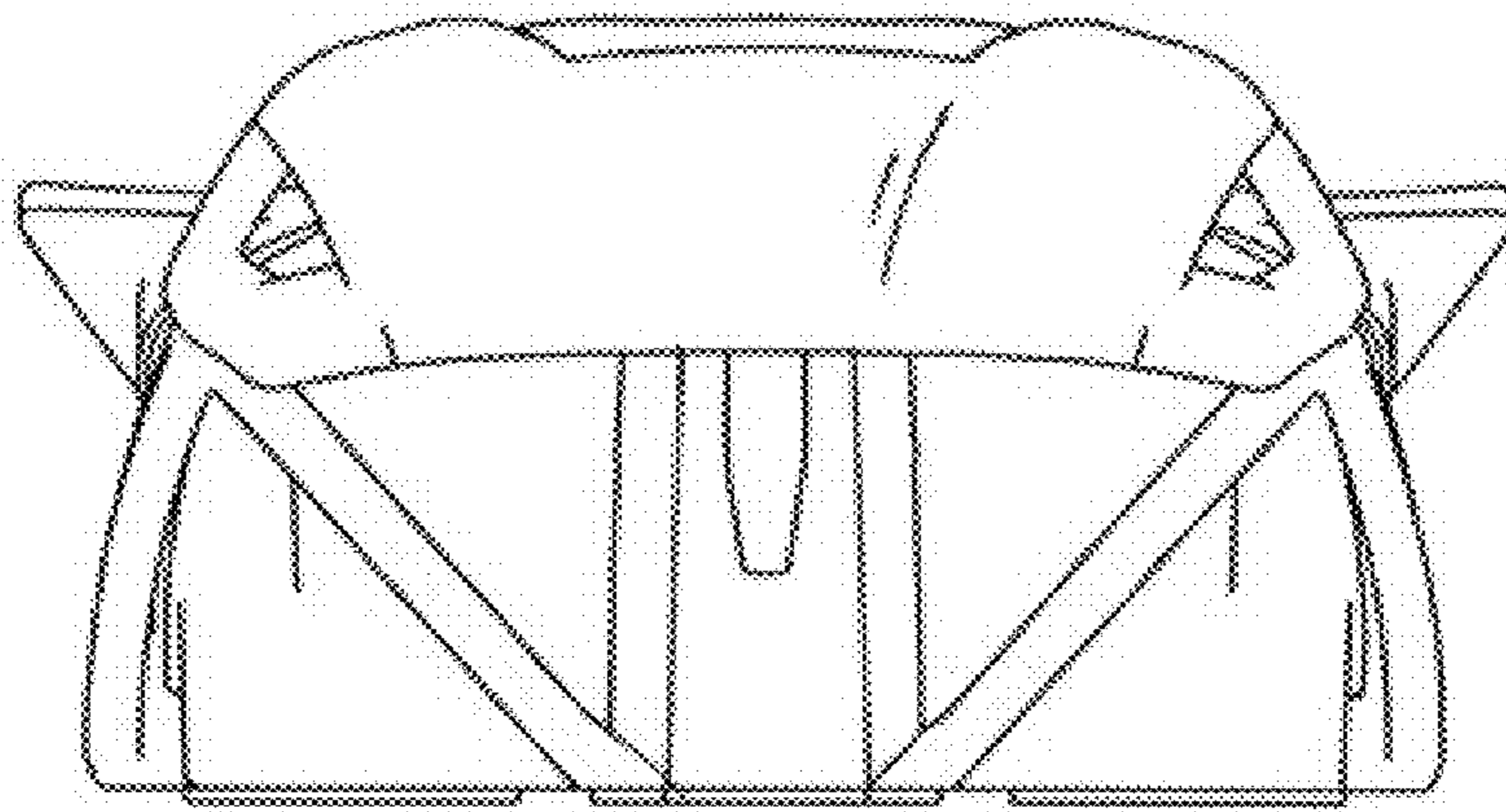


FIG. 8

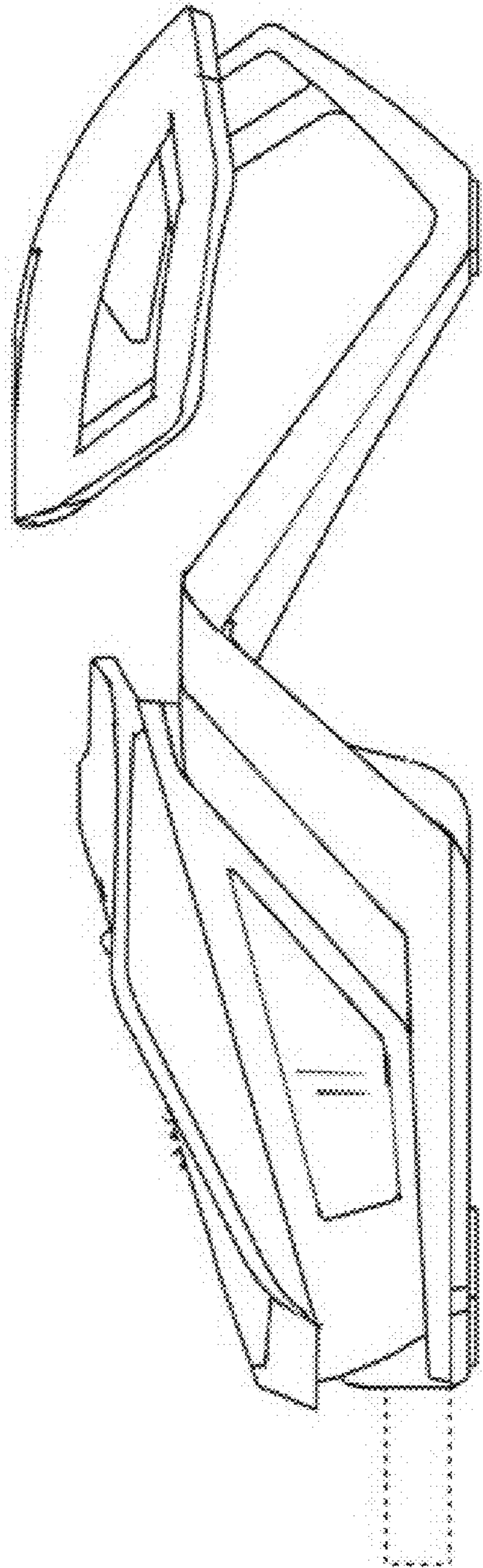


FIG. 9

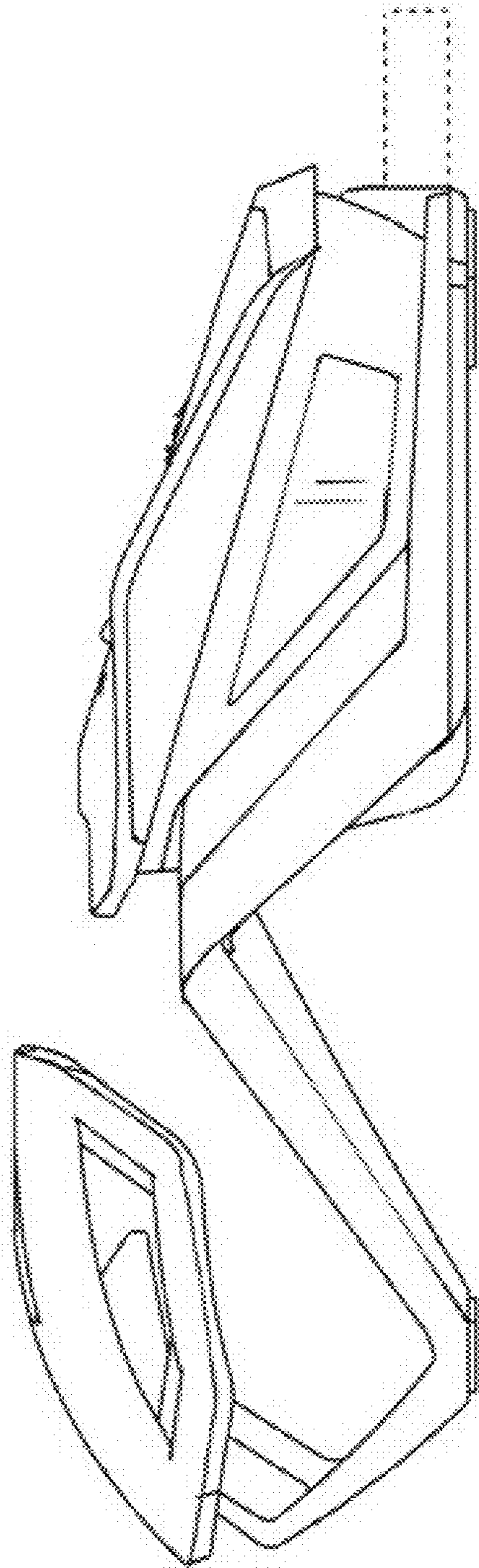


FIG. 10