



US00D766902S

(12) **United States Design Patent**
Bellinghausen et al.

(10) **Patent No.:** **US D766,902 S**

(45) **Date of Patent:** **** Sep. 20, 2016**

(54) **CONTROLLER**

(71) Applicant: **Valve Corporation**, Bellevue, WA (US)

(72) Inventors: **Jeffrey Peter Bellinghausen**, Bellevue, WA (US); **Claire Michelle Gottschalk**, Bellevue, WA (US); **Eric James Hope**, Duvall, WA (US); **Jeffrey Keyzer**, Redmond, WA (US); **Amy Narae Kim**, New York, NY (US)

(73) Assignee: **VALVE CORPORATION**, Bellevue, WA (US)

(**) Term: **14 Years**

(21) Appl. No.: **29/499,217**

(22) Filed: **Aug. 12, 2014**

(51) **LOC (10) Cl.** **14-03**

(52) **U.S. Cl.**
USPC **D14/401; D21/333**

(58) **Field of Classification Search**
USPC D14/388, 400, 401, 417, 426, 432, 454;
D21/333
CPC A63F 13/98; A63F 13/02; A63F 13/06;
A63F 13/12; A63F 13/24; A63F 9/00;
A63F 9/24; A63F 11/00; A63F 71/00;
G06F 3/02

See application file for complete search history.

(56) **References Cited**

U.S. PATENT DOCUMENTS

6,325,719 B1 * 12/2001 Fukawa A63F 13/06
463/37
D478,590 S * 8/2003 Hussaini D14/401

D491,183 S * 6/2004 Swan D14/401
6,743,100 B1 * 6/2004 Neiser A63F 13/06
273/148 B
D585,931 S * 2/2009 Palmer D14/401
D609,706 S * 2/2010 Helt, III D14/426
D685,434 S * 7/2013 Ali D14/401
D694,830 S * 12/2013 Crowley D14/401
D700,182 S * 2/2014 Kidakarn D14/401
D711,880 S * 8/2014 Bellinghausen D14/401

* cited by examiner

Primary Examiner — Freda S Nunn

(74) *Attorney, Agent, or Firm* — Barcelo, Harrison & Walker, LLP

(57) **CLAIM**

The ornamental design for a controller, as shown and described.

DESCRIPTION

FIG. 1 is a perspective view of a controller according to our invention.

FIG. 2 is a front view thereof.

FIG. 3 is a back view thereof.

FIG. 4 is a right side view thereof.

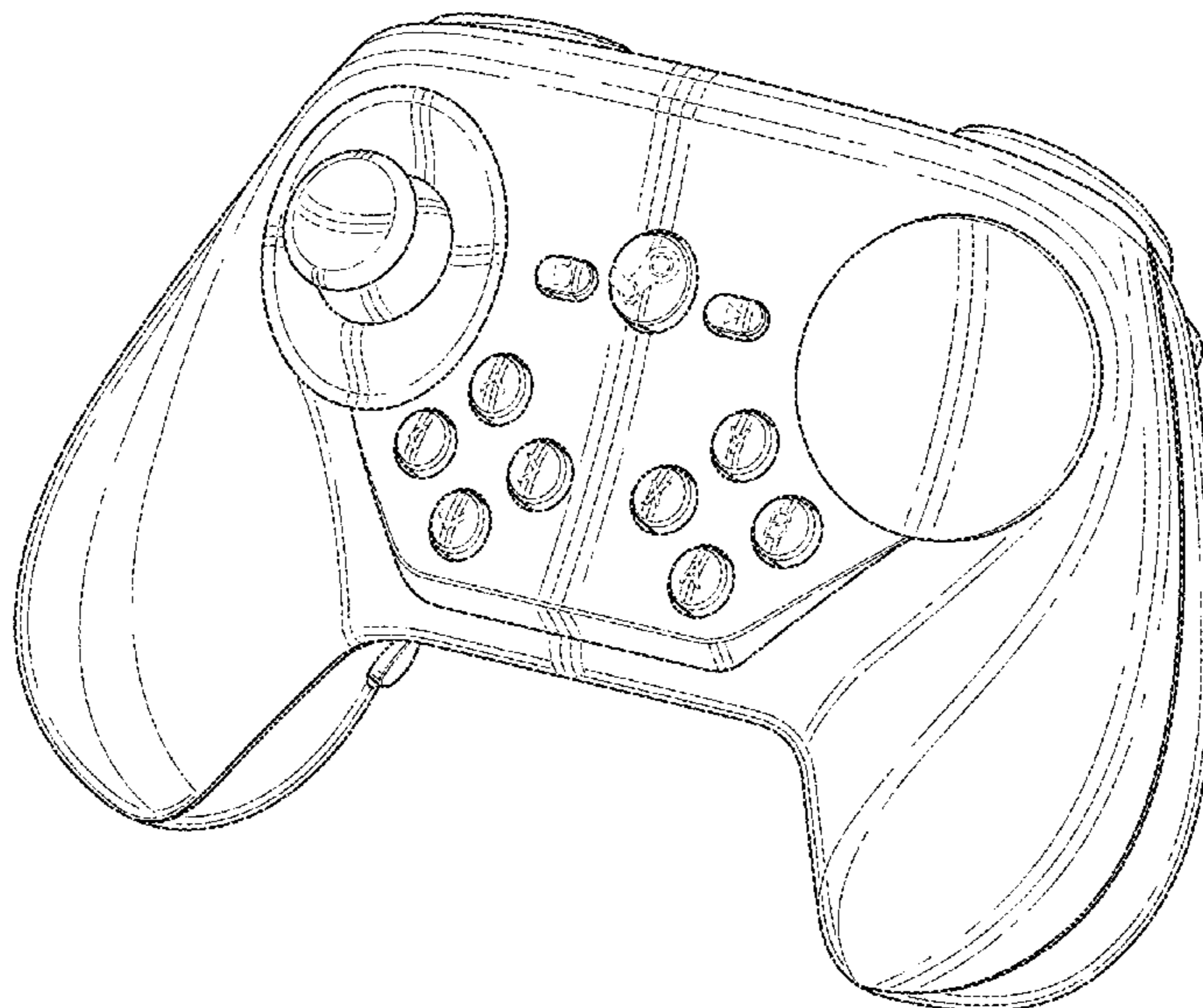
FIG. 5 is a left side view thereof.

FIG. 6 is a top view thereof; and,

FIG. 7 is a bottom view thereof.

Broken lines shown in the drawings represent environment only and form no part of the claimed design.

1 Claim, 7 Drawing Sheets



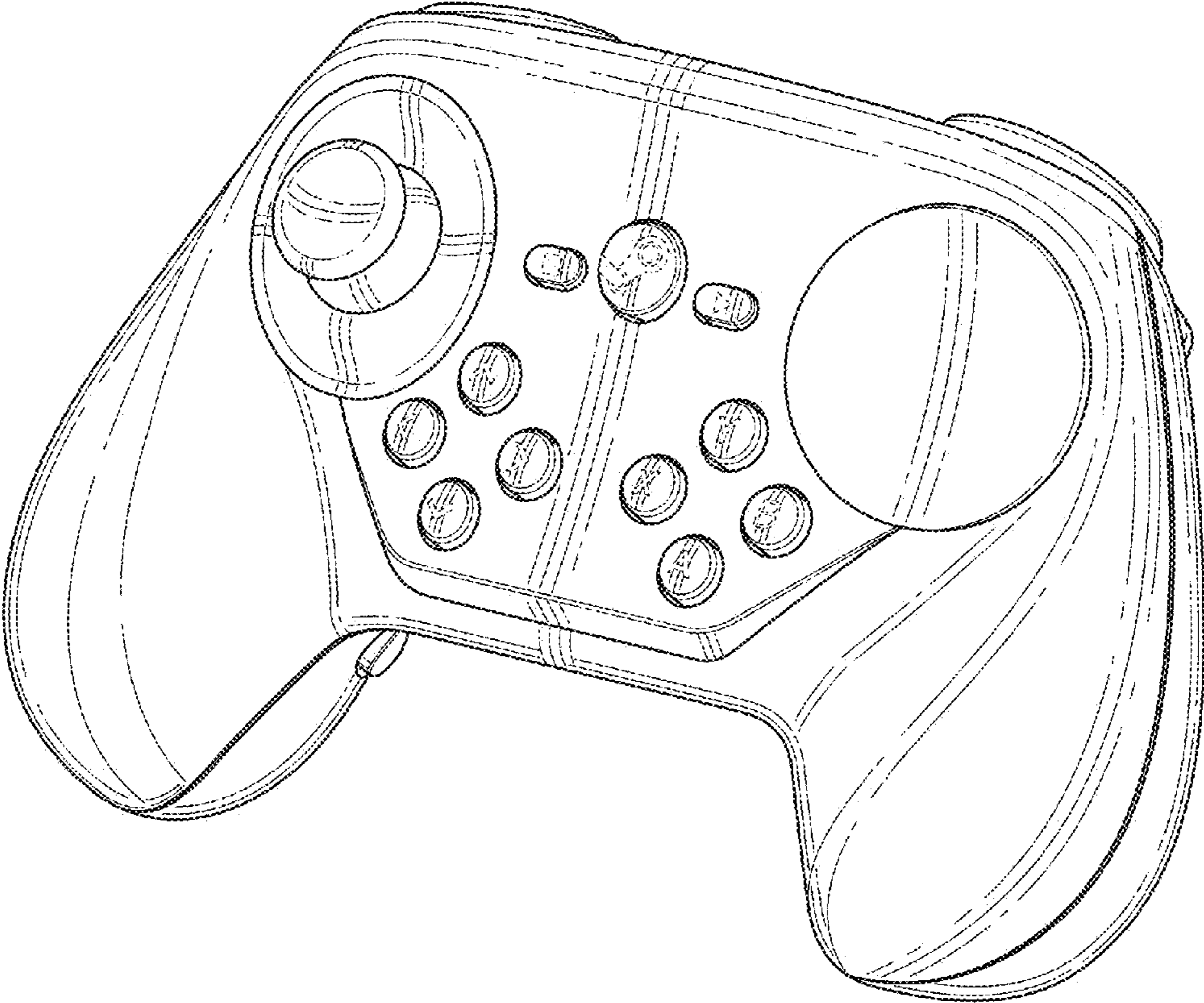


FIG. 1

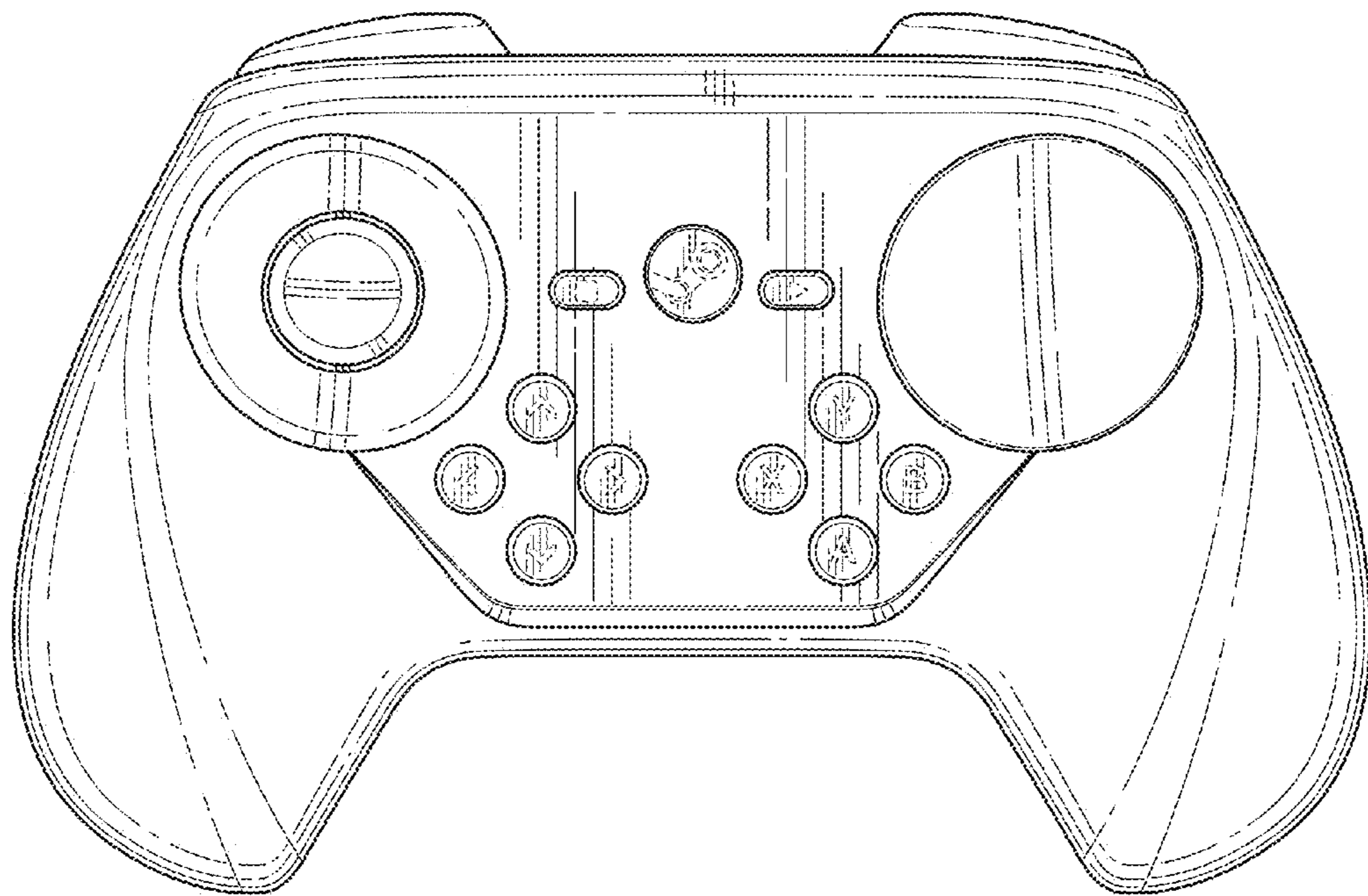


FIG. 2

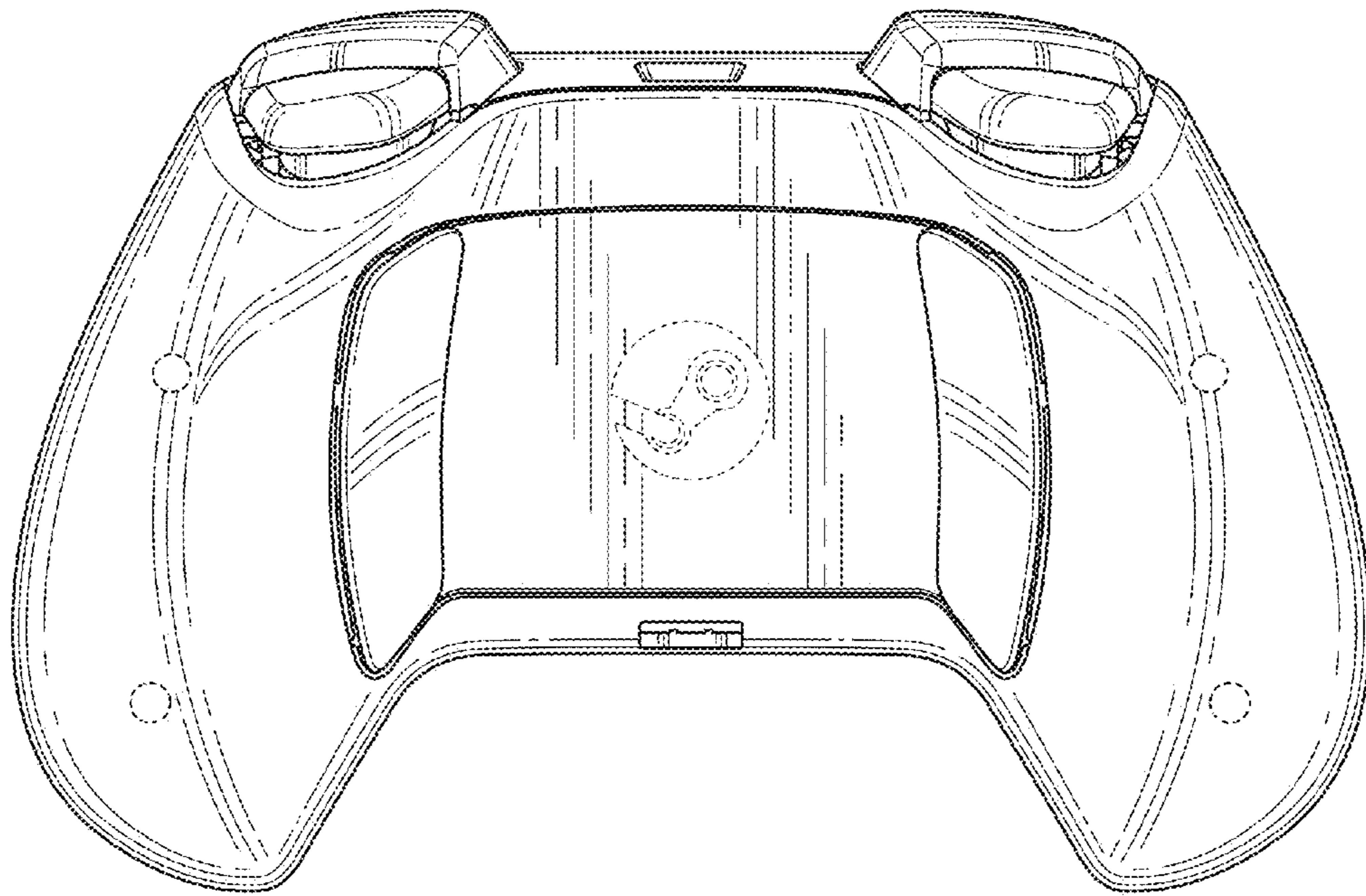


FIG. 3

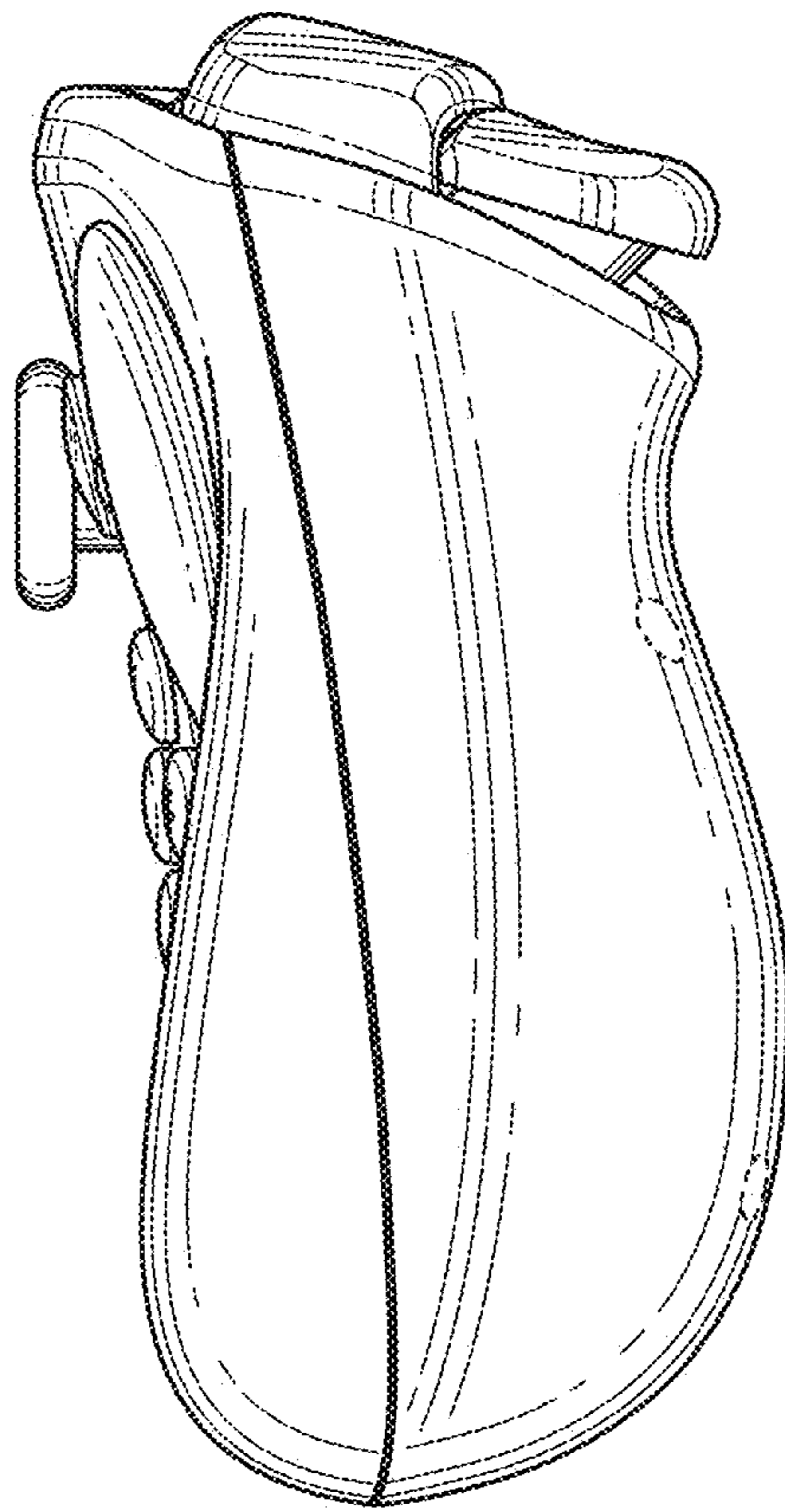


FIG. 4

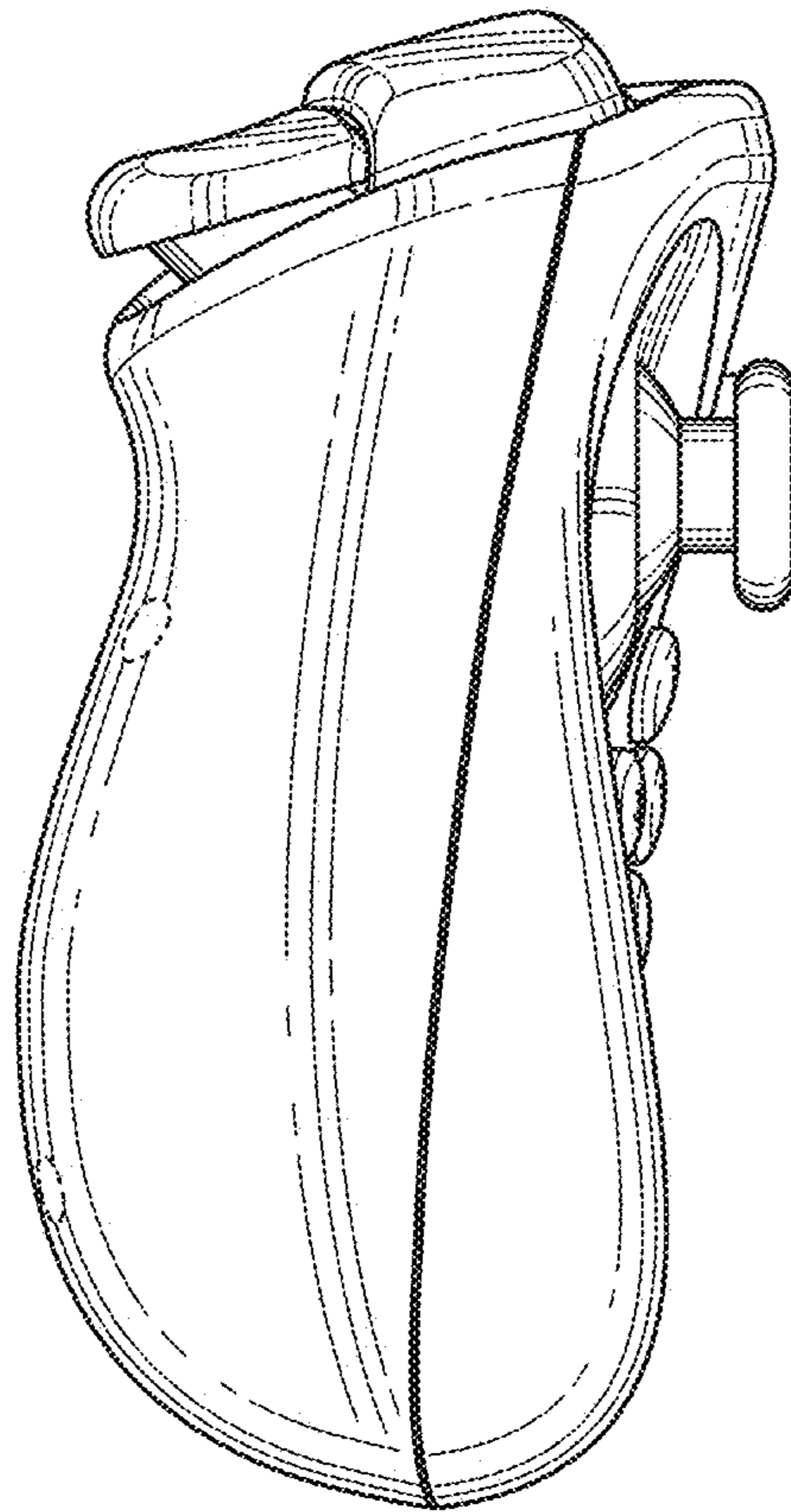


FIG. 5

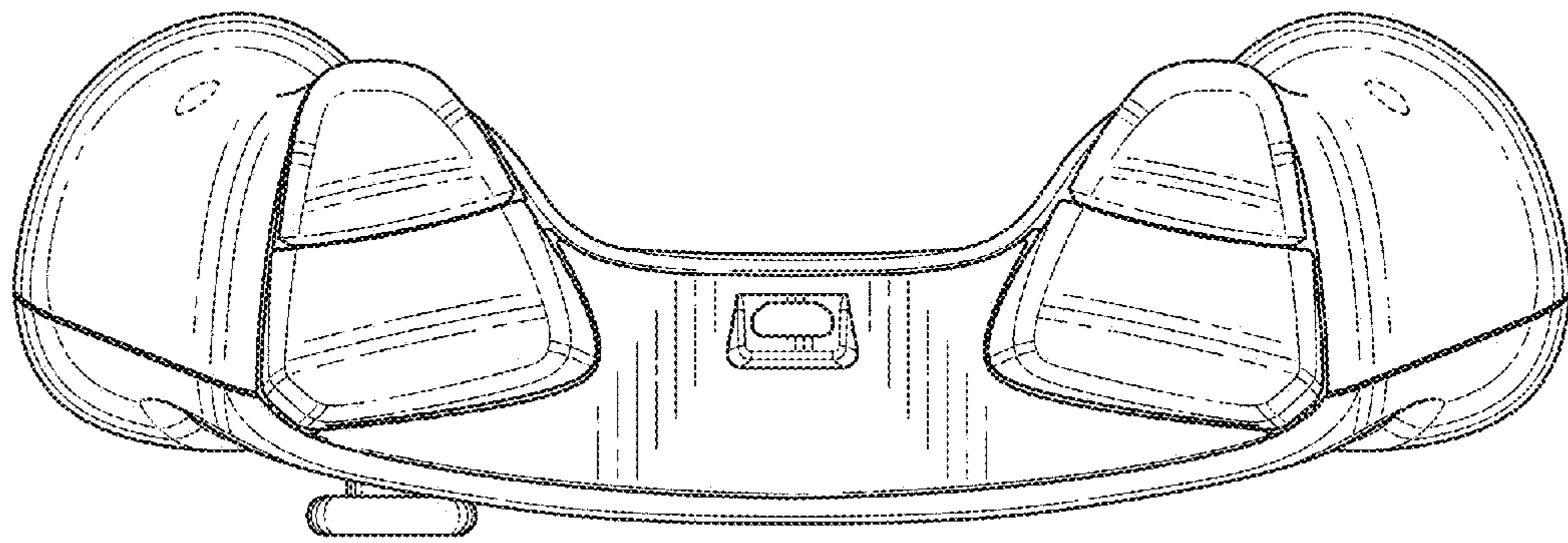


FIG. 6

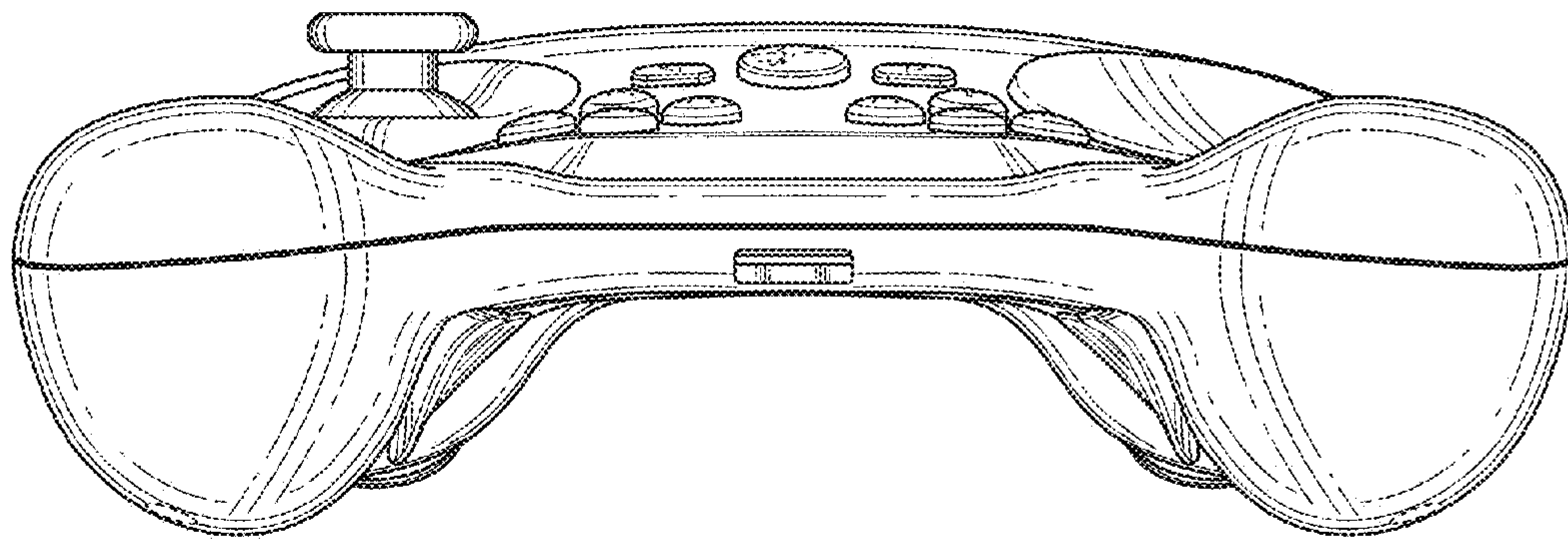


FIG. 7