



US00D766899S

(12) **United States Design Patent** (10) **Patent No.:** **US D766,899 S**
Kim et al. (45) **Date of Patent:** **** Sep. 20, 2016**

(54) **MONITOR FOR ADVERTISEMENT**

(56) **References Cited**

(71) Applicant: **LG ELECTRONICS INC.**, Seoul (KR)

U.S. PATENT DOCUMENTS

(72) Inventors: **Yeonjin Kim**, Seoul (KR); **Junghyun Min**, Seoul (KR); **Sunggu Joe**, Seoul (KR)

D609,658 S *	2/2010	Kim	D14/126
D669,076 S *	10/2012	Haller	D14/374
D718,731 S *	12/2014	Lee	D14/126
D722,988 S *	2/2015	Kim	D14/126
D727,271 S *	4/2015	Shi	D13/162
D729,793 S *	5/2015	Hickok	D14/126
D732,492 S *	6/2015	Lee	D14/126
2014/0184978 A1 *	7/2014	Yu	G02F 1/133308 349/58

(73) Assignee: **LG ELECTRONICS INC.**, Seoul (KR)

(**) Term: **15 Years**

* cited by examiner

(21) Appl. No.: **29/541,248**

Primary Examiner — Freda S Nunn

(22) Filed: **Oct. 1, 2015**

(74) *Attorney, Agent, or Firm* — Birch, Stewart, Kolasch & Birch, LLP

(30) **Foreign Application Priority Data**

(57) **CLAIM**

Apr. 2, 2015 (KR) 30-2015-0016829

The ornamental design for a monitor for advertisement, as shown and described.

(51) **LOC (10) Cl.** **14-02**

DESCRIPTION

(52) **U.S. Cl.**
USPC **D14/374**

(58) **Field of Classification Search**
USPC D14/371-375, 125-129, 336, 337, 341;
341/12; 345/104, 156, 168, 173;
348/180, 184, 325, 739; 349/1, 2, 11,
349/62; 361/679.05-679.07, 679.21;
D6/300, 308; D20/10

FIG. 1 is a front, right side, perspective view of a monitor for advertisement showing our new design;
FIG. 2 is a front view thereof;
FIG. 3 is a rear view thereof;
FIG. 4 is a left side view thereof;
FIG. 5 is a right side view thereof;
FIG. 6 is a top view thereof; and,
FIG. 7 is a bottom view thereof.

CPC G06F 1/16; G06F 1/1601; G06F 3/037;
G06F 1/162; G06F 1/1613; F16M 11/02;
F16M 11/10; F16M 11/00; G02F 1/133308

The broken lines indicate unclaimed portions of the monitor that form no part of the claimed design.

See application file for complete search history.

1 Claim, 4 Drawing Sheets

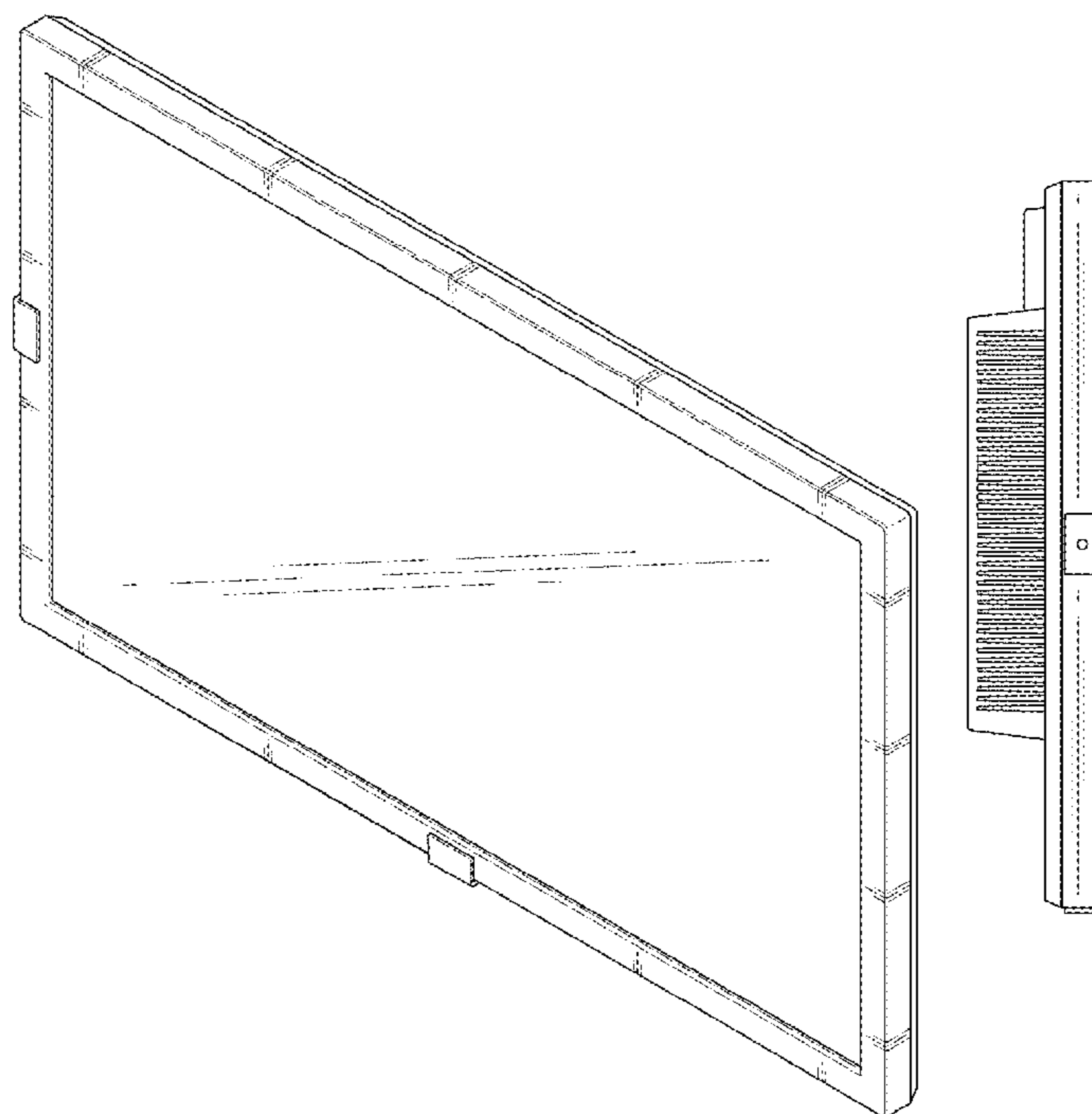


FIG. 1

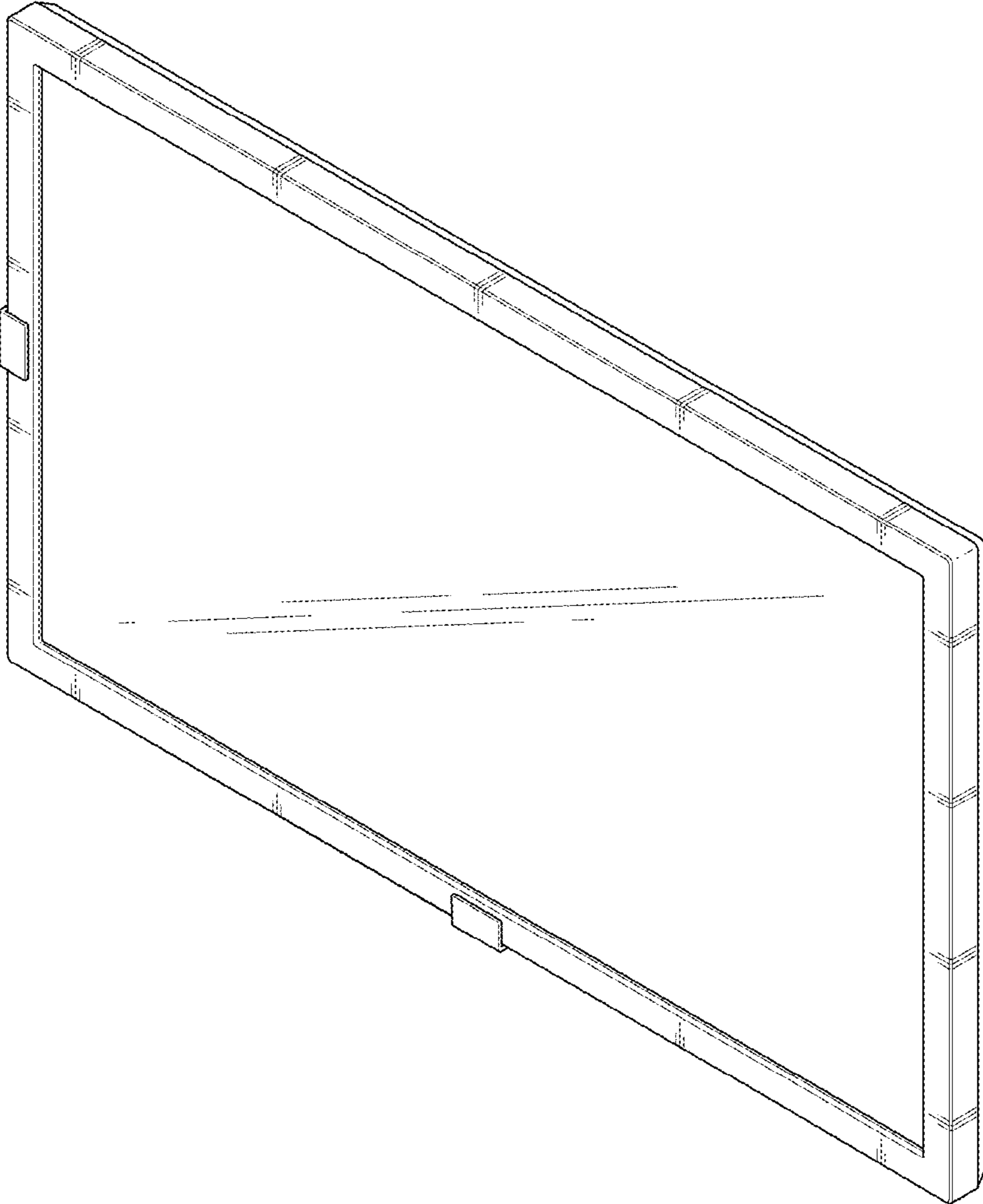


FIG. 2

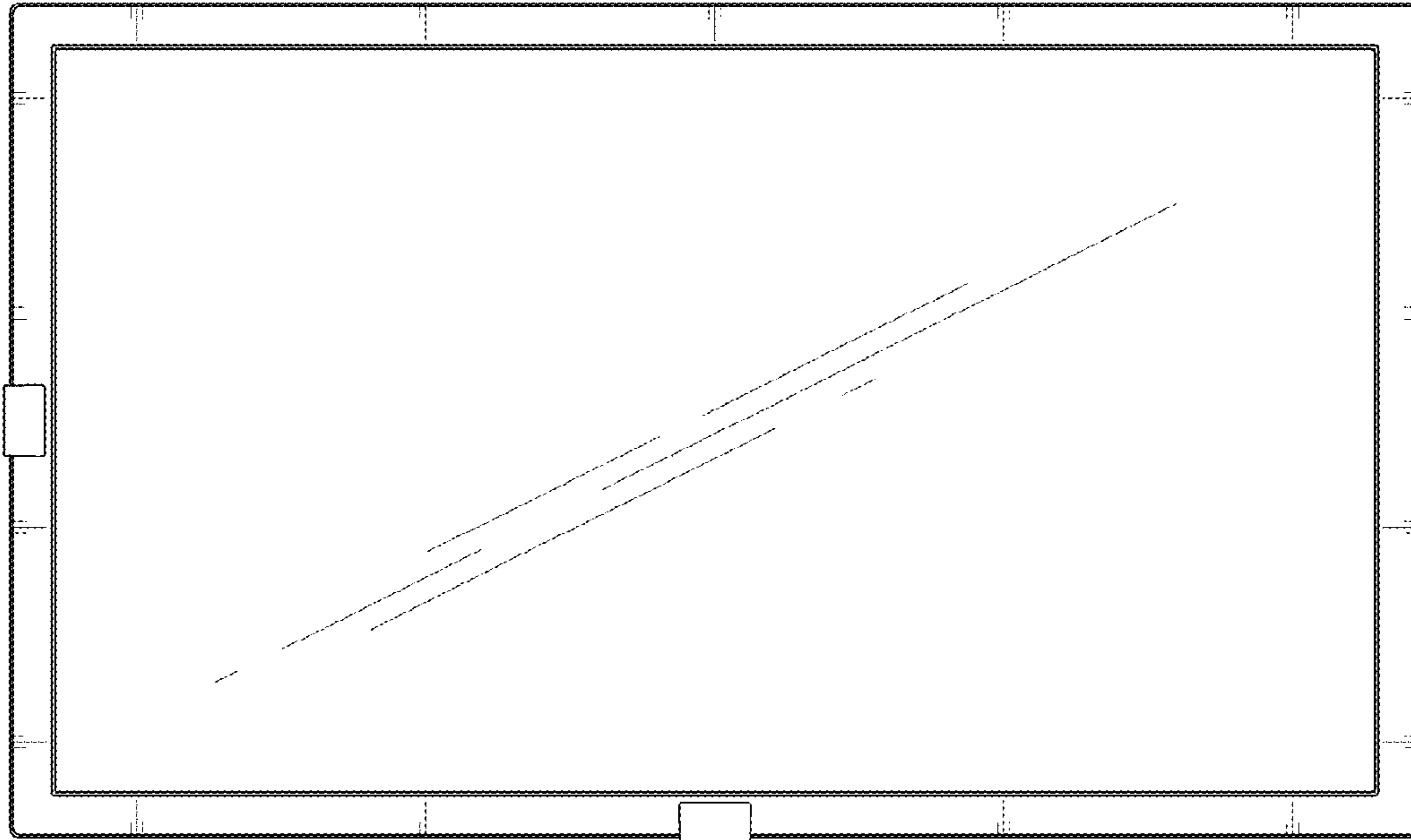


FIG. 3

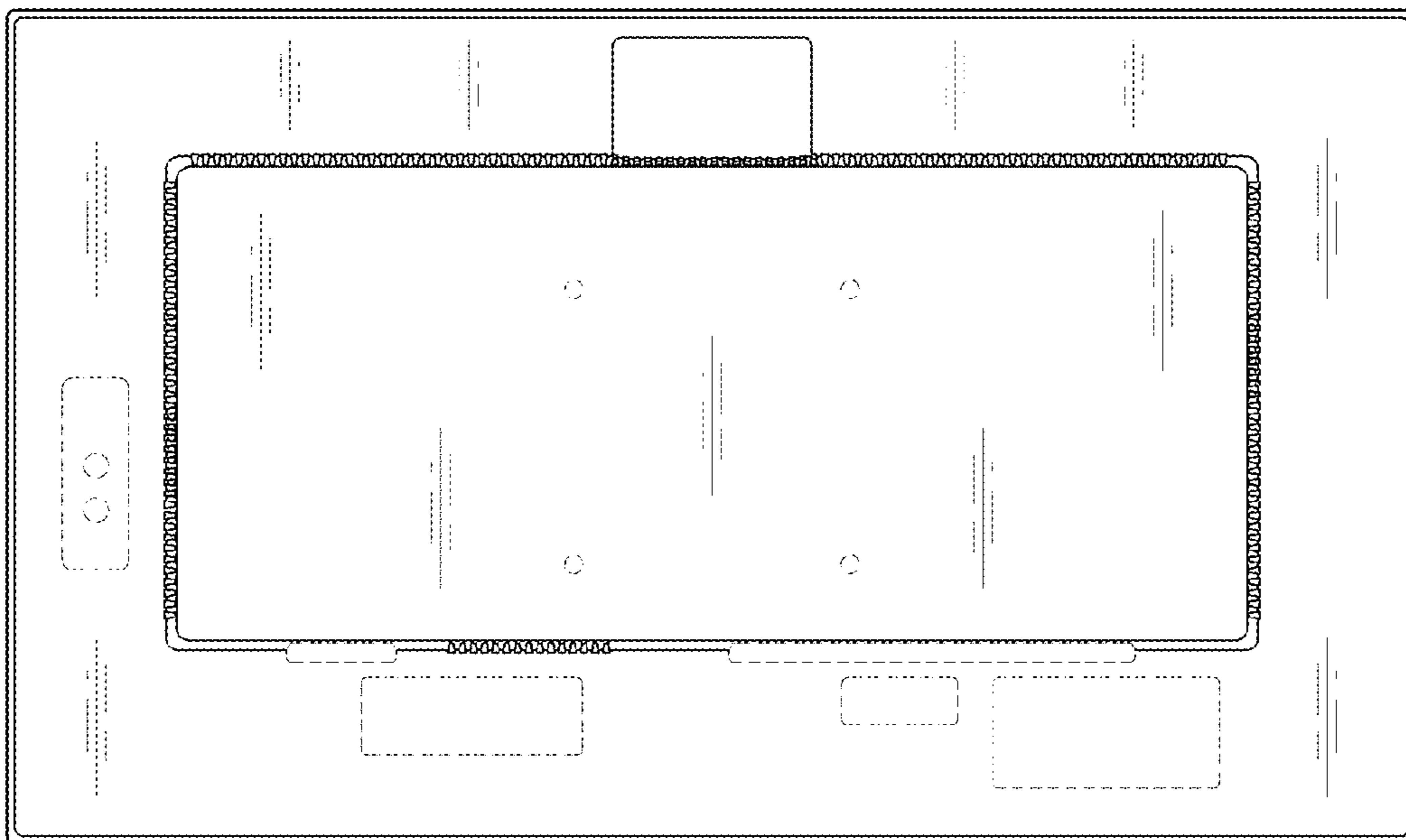


FIG. 4

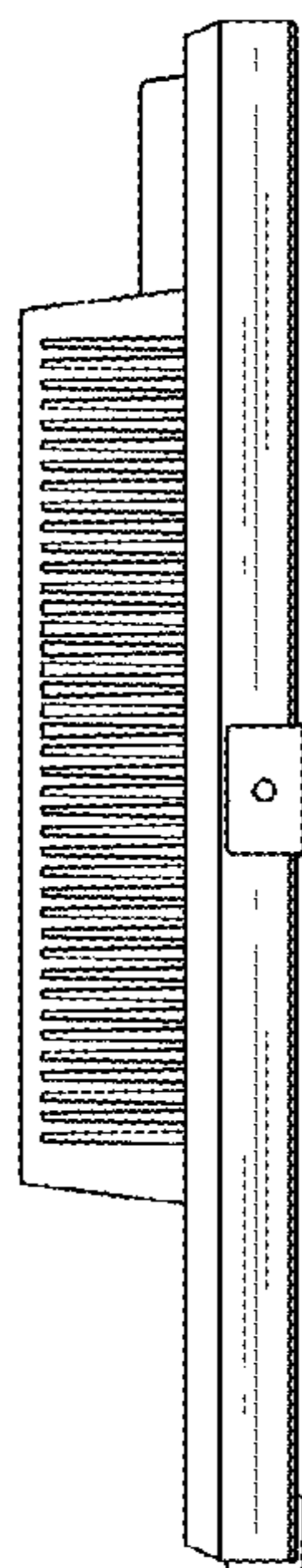


FIG. 5

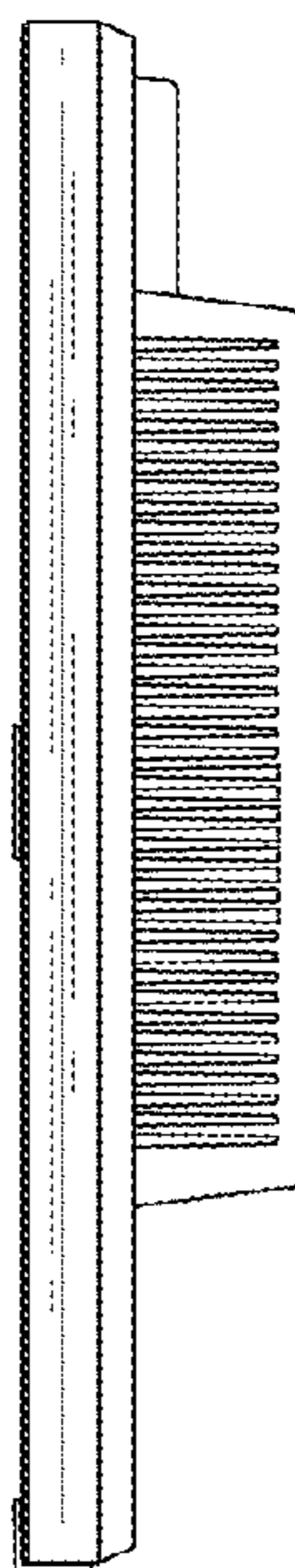


FIG. 6

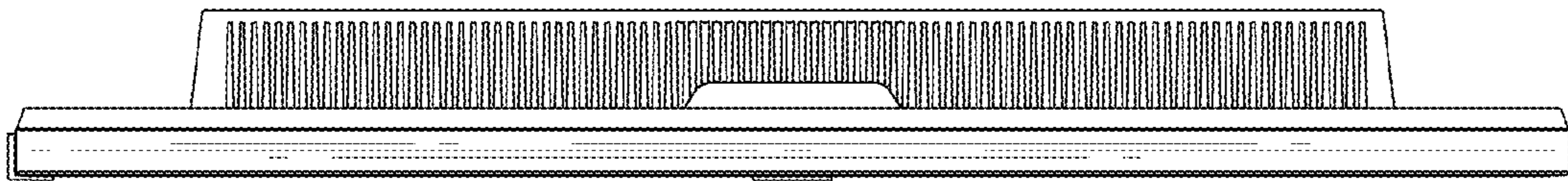


FIG. 7

