



US00D766897S

(12) **United States Design Patent** (10) **Patent No.:** **US D766,897 S**  
**Lim** (45) **Date of Patent:** **\*\* Sep. 20, 2016**

(54) **MONITOR FOR ADVERTISEMENT**

(56) **References Cited**

(71) Applicant: **LG ELECTRONICS INC.**, Seoul (KR)

U.S. PATENT DOCUMENTS

(72) Inventor: **Jaewon Lim**, Seoul (KR)

D609,658	S	*	2/2010	Kim	.....	D14/126
D669,076	S	*	10/2012	Haller	.....	D14/374
D718,731	S	*	12/2014	Lee	.....	D14/126
D722,988	S	*	2/2015	Kim	.....	D14/126
D727,271	S	*	4/2015	Shi	.....	D13/162
D729,793	S	*	5/2015	Hickok	.....	D14/126
D732,492	S	*	6/2015	Lee	.....	D14/126
2014/0184978	A1	*	7/2014	Yu	.....	G02F 1/133308 349/58

(73) Assignee: **LG ELECTRONICS INC.**, Seoul (KR)

(\*\*) Term: **15 Years**

\* cited by examiner

(21) Appl. No.: **29/533,838**

*Primary Examiner* — Freda S Nunn

(22) Filed: **Jul. 22, 2015**

(74) *Attorney, Agent, or Firm* — Birch, Stewart, Kolasch & Birch, LLP

(30) **Foreign Application Priority Data**

Jan. 23, 2015 (KR) ..... 30-2015-0003754

(57) **CLAIM**

The ornamental design for a monitor for advertisement, as shown and described.

(51) **LOC (10) Cl.** ..... **14-02**

**DESCRIPTION**

(52) **U.S. Cl.**

USPC ..... **D14/374**

(58) **Field of Classification Search**

USPC ..... D14/371-375, 125-129, 336, 337, 341;  
341/12; 345/104, 156, 168, 173;  
348/180, 184, 325, 739; 349/1, 2, 11,  
349/62; 361/679.05-679.07, 679.21;  
D6/300, 308; D20/10

CPC ..... G06F 1/16; G06F 1/1601; G06F 3/037;  
G06F 1/162; G06F 1/1613; F16M 11/02;  
F16M 11/10; F16M 11/00; G02F 1/133308

See application file for complete search history.

FIG. 1 is a front, right side, perspective view of a monitor for advertisement showing my new design;  
FIG. 2 is a front view thereof;  
FIG. 3 is a rear view thereof;  
FIG. 4 is a left side view thereof;  
FIG. 5 is a right side view thereof;  
FIG. 6 is a top view thereof; and,  
FIG. 7 is a bottom view thereof.  
The broken lines indicate unclaimed portion of the article that form no part of the claimed design.

**1 Claim, 4 Drawing Sheets**

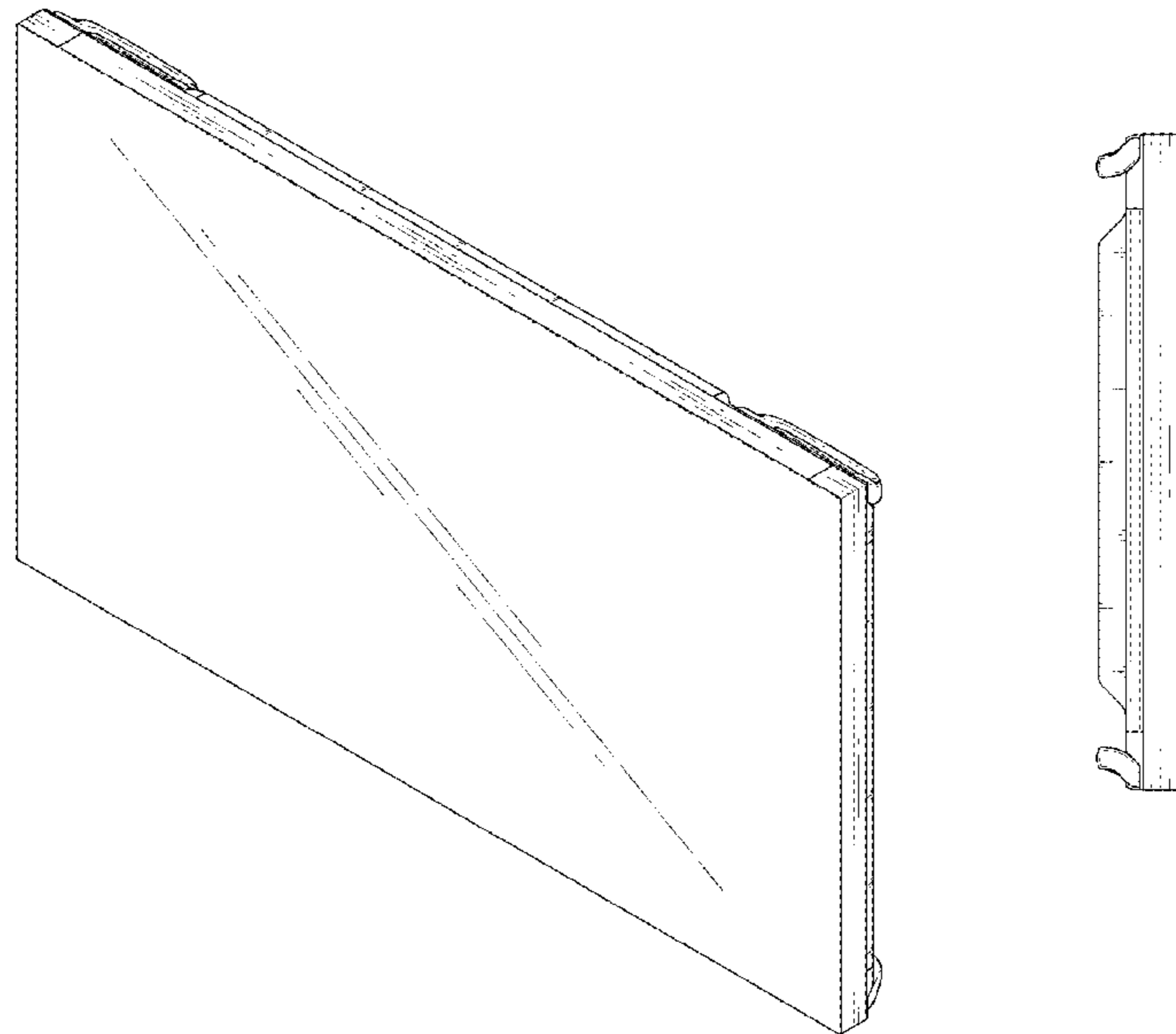


FIG. 1

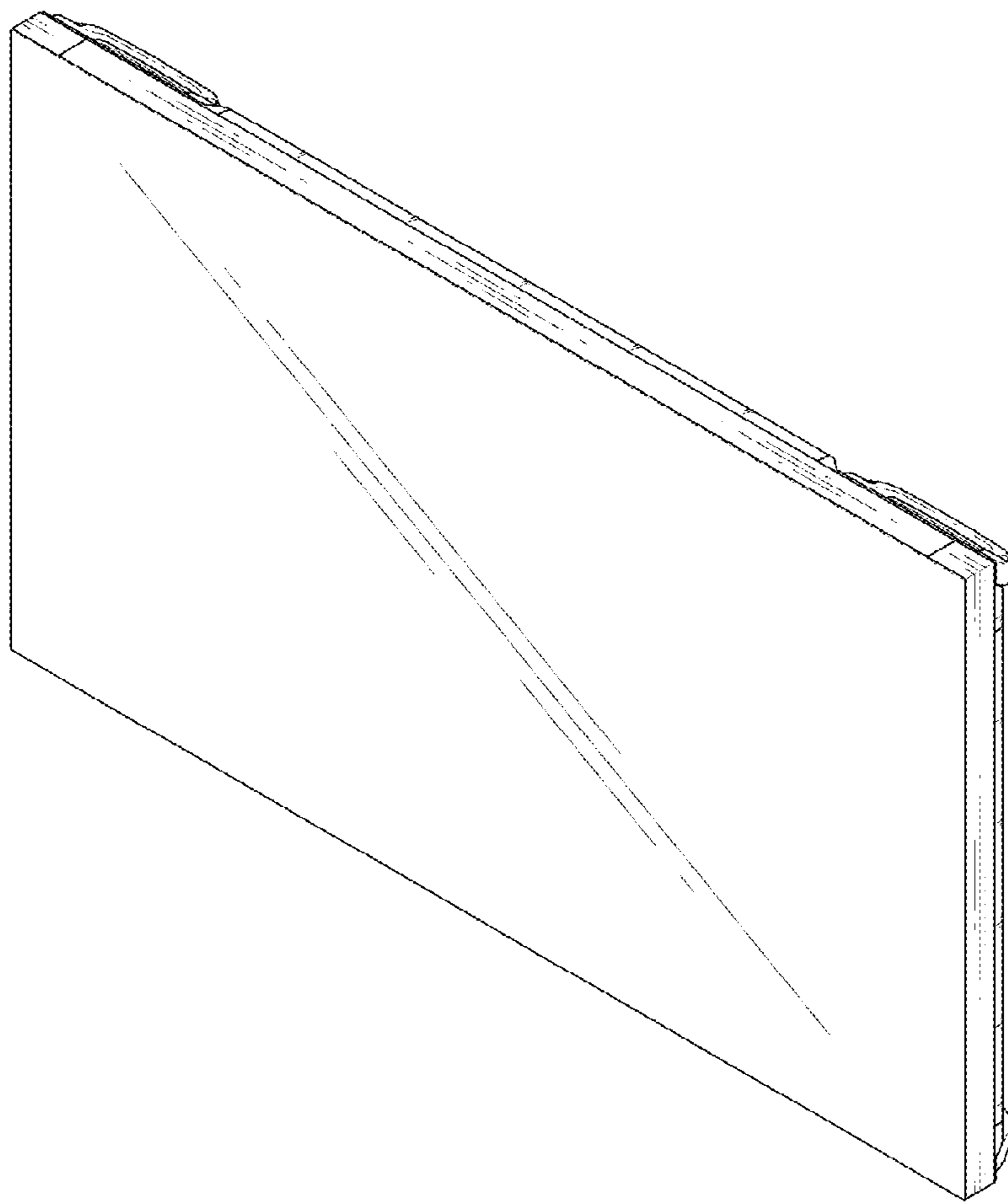


FIG. 2

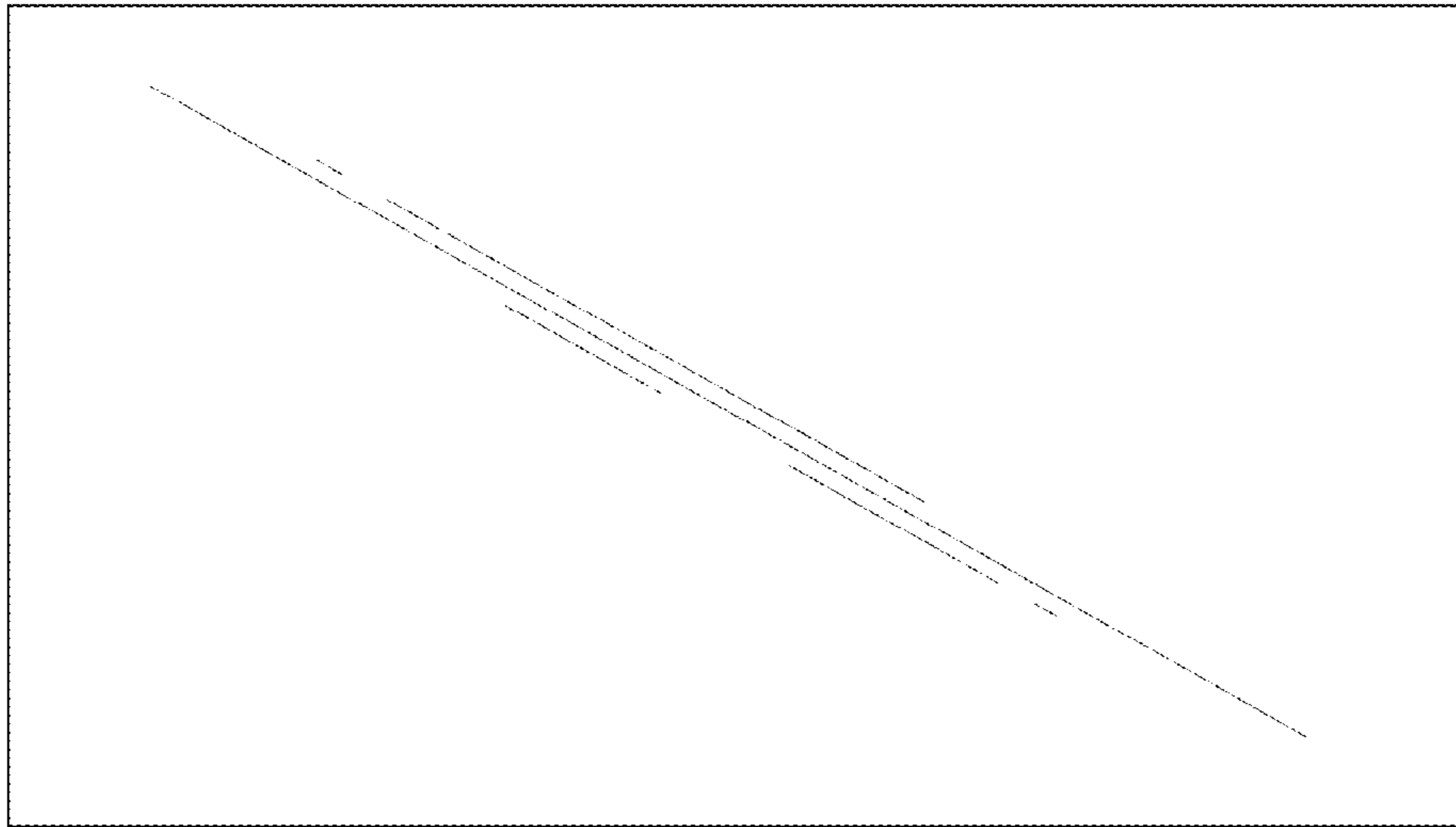


FIG. 3

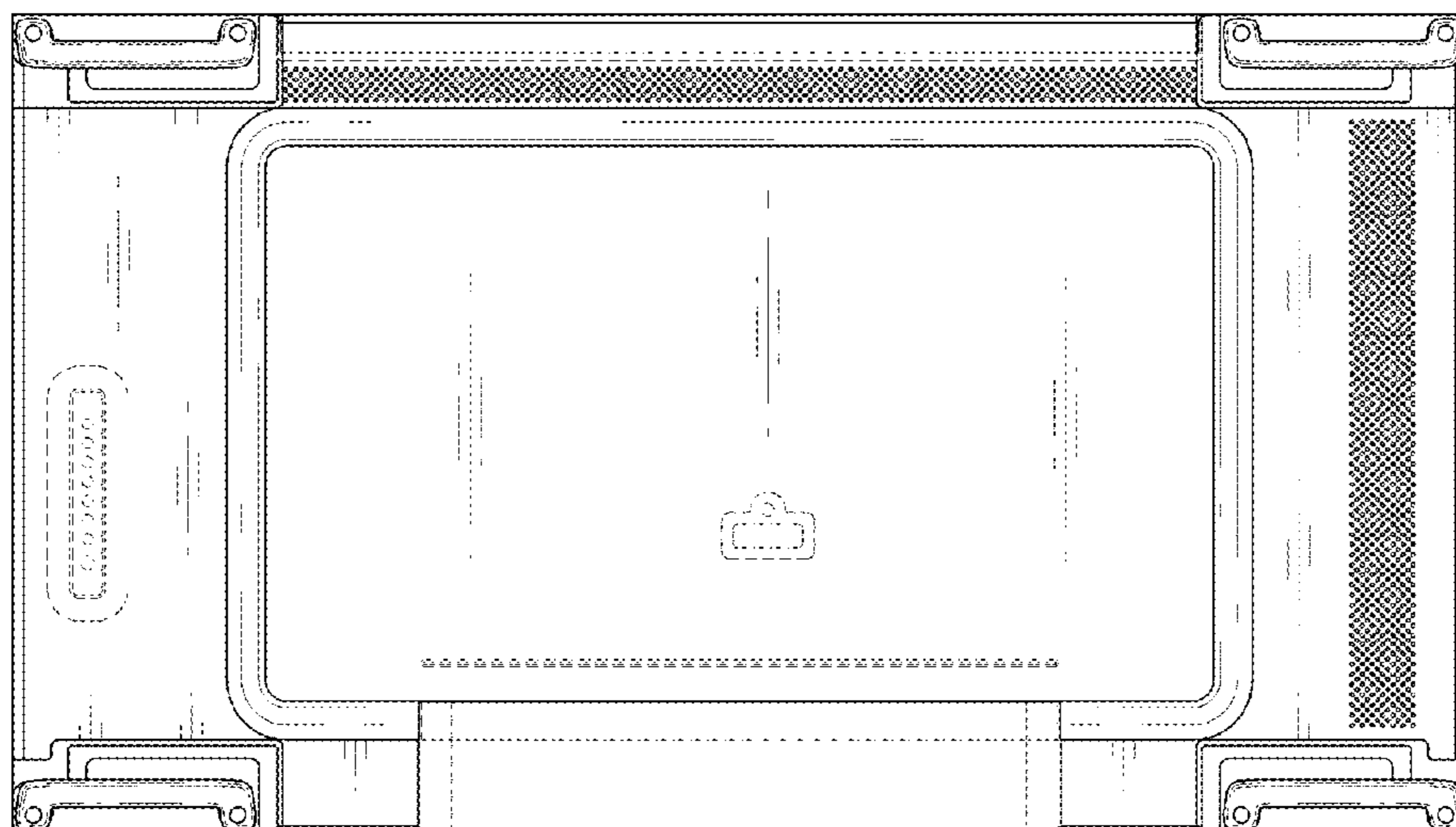


FIG. 4

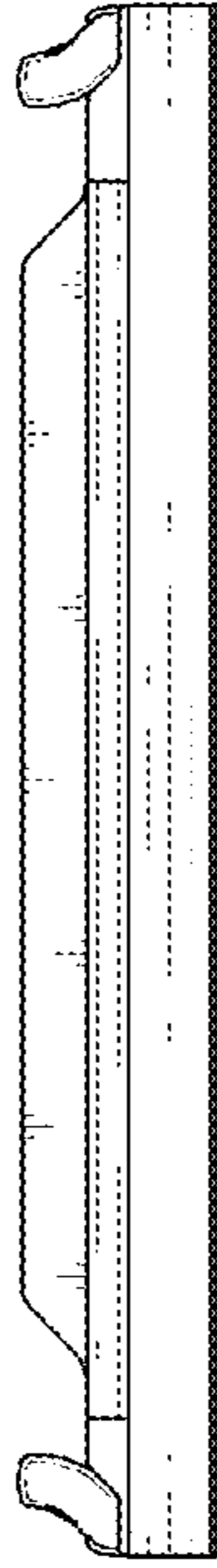


FIG. 5

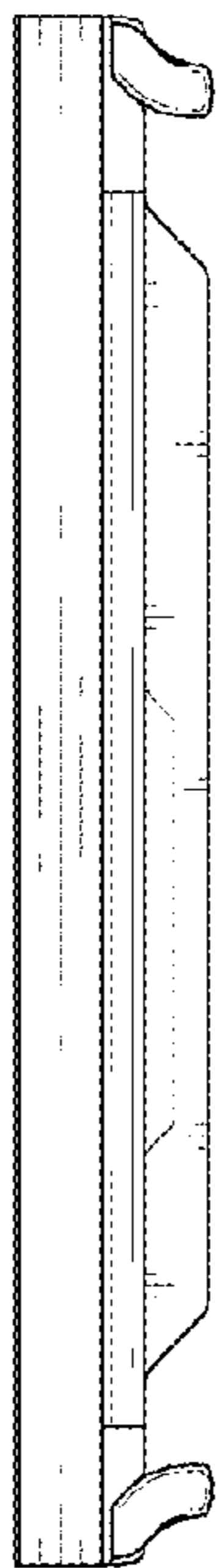


FIG. 6

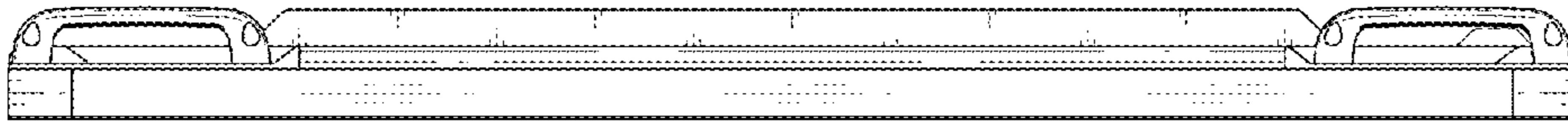


FIG. 7

