



US00D766895S

(12) **United States Design Patent**
Choi

(10) **Patent No.:** **US D766,895 S**
(45) **Date of Patent:** **** Sep. 20, 2016**

(54) **DISPLAY DEVICE**

(71) Applicant: **Samsung Electronics Co., Ltd.**,
Suwon-si (KR)

(72) Inventor: **Eun-Ha Choi**, Seoul (KR)

(73) Assignee: **Samsung Electronics Co., Ltd.**,
Suwon-si (KR)

(**) Term: **15 Years**

(21) Appl. No.: **29/537,795**

(22) Filed: **Aug. 28, 2015**

(30) **Foreign Application Priority Data**

Mar. 13, 2015 (KR) 30-2015-0012765

(51) **LOC (10) Cl.** **14-02**

(52) **U.S. Cl.**

USPC **D14/372**

(58) **Field of Classification Search**

USPC D14/372, 496, 432, 371, 125, 126, 129,
D14/299; D16/300-342; 351/158, 153, 144;
345/7-9, 905; 455/344; 348/115, 53,
348/121, 739

CPC G02B 27/017; G02B 27/0158; G02B
27/0161; G02B 27/0181; G02B 27/0185;
G02B 27/0189

See application file for complete search history.

(56) **References Cited**

U.S. PATENT DOCUMENTS

D599,835 S * 9/2009 Yee D16/314
D611,521 S * 3/2010 Lampru D16/314
D669,066 S * 10/2012 Olsson D14/309
D687,087 S * 7/2013 Iurilli D16/309
8,542,326 B2 * 9/2013 MacNaughton G02F 1/1335
349/15
D712,451 S * 9/2014 Kim D16/300
D719,569 S 12/2014 Heinrich et al.

D724,083 S * 3/2015 Olsson D14/372
D727,317 S * 4/2015 Olsson D14/372
D732,531 S * 6/2015 Kim D14/372
9,075,249 B2 * 7/2015 Heinrich G02C 11/10
D738,373 S * 9/2015 Davies D14/372
9,134,548 B1 * 9/2015 Olsson G02C 9/00
D741,941 S * 10/2015 Armstrong D16/300
D746,817 S * 1/2016 Olsson D14/372
D747,401 S * 1/2016 Exley D16/314

(Continued)

FOREIGN PATENT DOCUMENTS

CN 201030257291.5 3/2011
CN 201330249985.8 11/2013

OTHER PUBLICATIONS

Andrew Williams. "Zeiss Cinemizer review". [2013] www.trustedreviews.com. May 17, 2013. <<http://www.trustedreviews.com/zeiss-cinemizer-review>>.

(Continued)

Primary Examiner — Austin Murphy

(74) *Attorney, Agent, or Firm* — NSIP Law

(57)

CLAIM

I claim the ornamental design for a display device, as shown and described.

DESCRIPTION

FIG. 1 is a front perspective view of a display device showing my new design;

FIG. 2 is a front view thereof;

FIG. 3 is a rear view thereof;

FIG. 4 is a left-side view thereof;

FIG. 5 is a right-side view thereof;

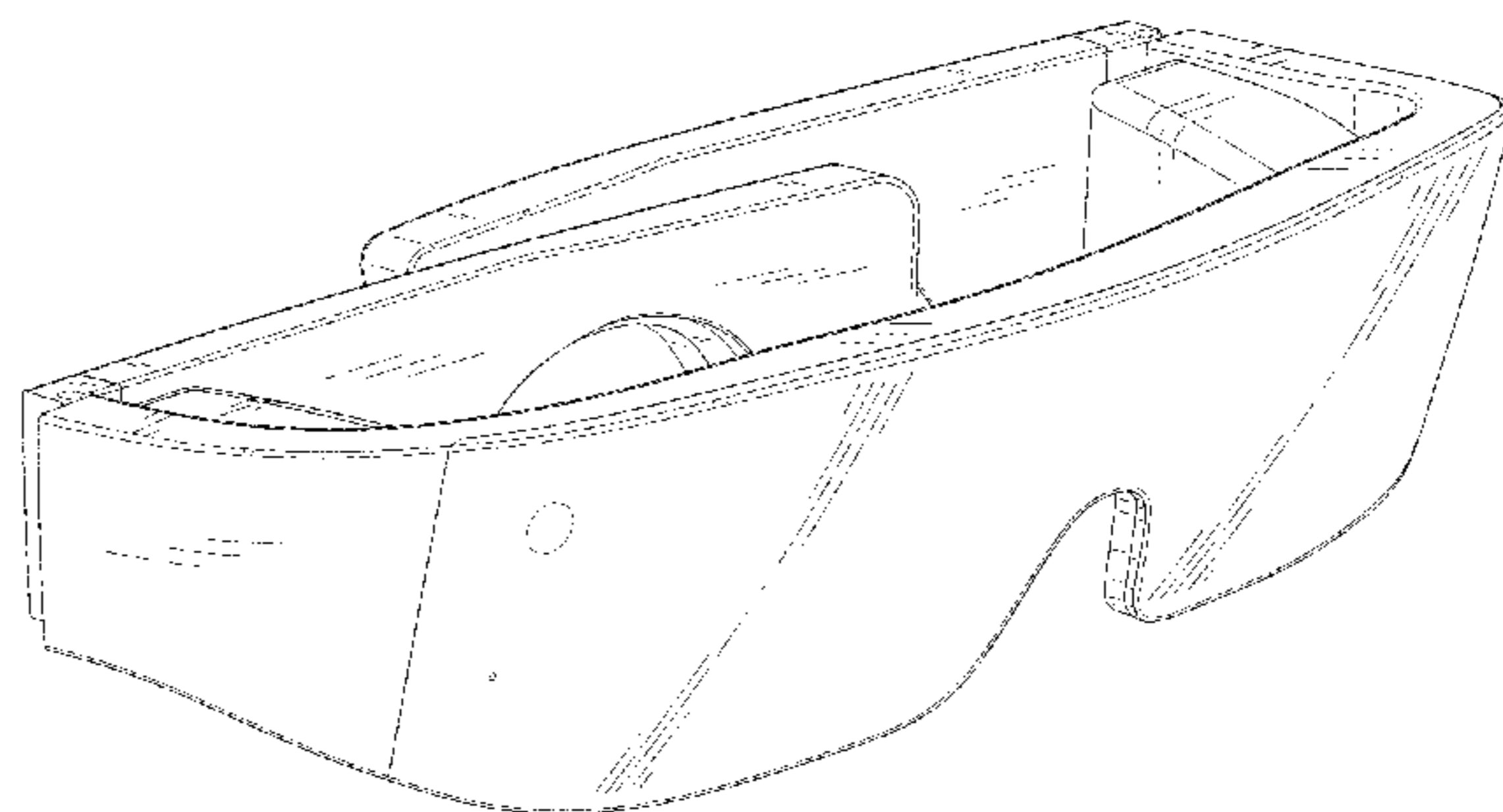
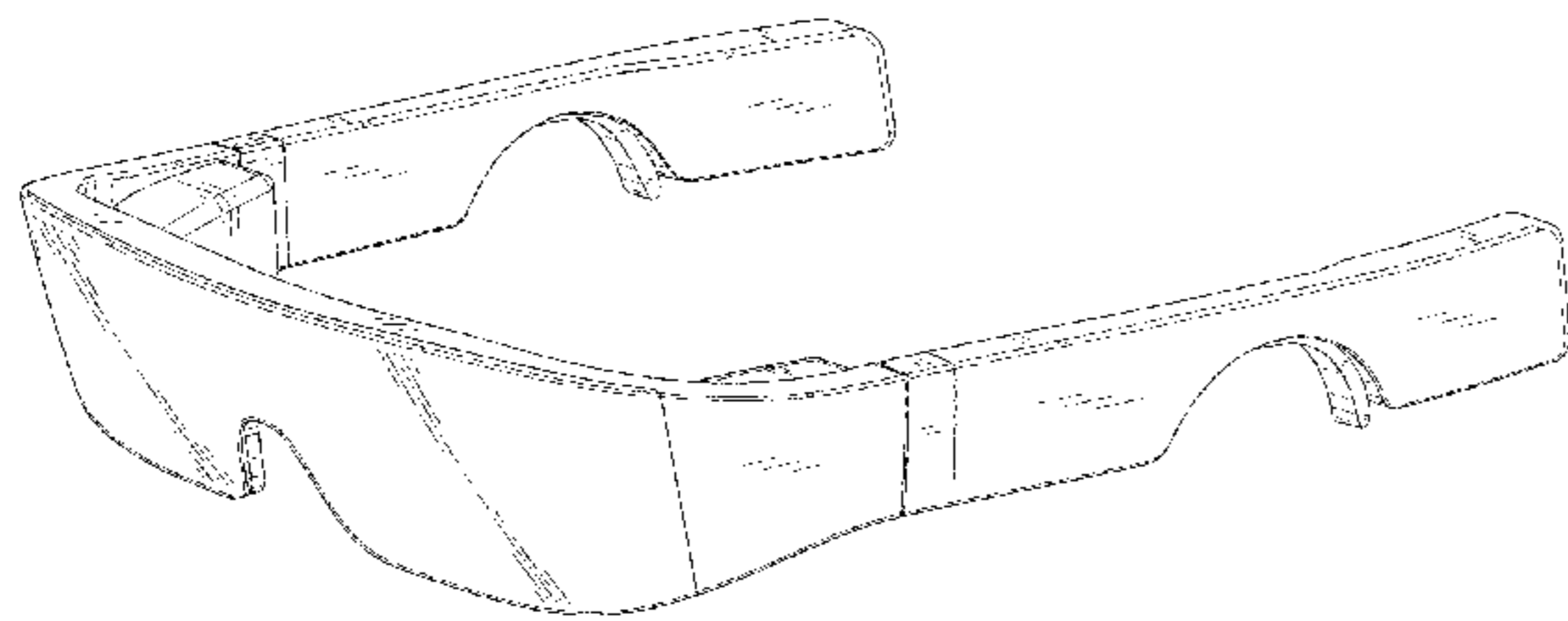
FIG. 6 is a top view thereof;

FIG. 7 is a bottom view thereof; and,

FIG. 8 is another perspective view thereof.

The broken lines in the figures show portions of the display device which form no part of the claimed design.

1 Claim, 6 Drawing Sheets



(56)

References Cited

U.S. PATENT DOCUMENTS

D751,552 S * 3/2016 Osterhout D14/372
2012/0218507 A1* 8/2012 Calilung A61F 9/025
351/153

OTHER PUBLICATIONS

Kim-Mai Cutler. "Atheer Labs Releases a First Enterprise Developer Kit for Its 3D, Wearable Glasses". [2014] techcrunch.com. Jul. 29, 2014 <<http://techcrunch.com/2014/07/29/atheer-labs/>>.

* cited by examiner

FIG. 1

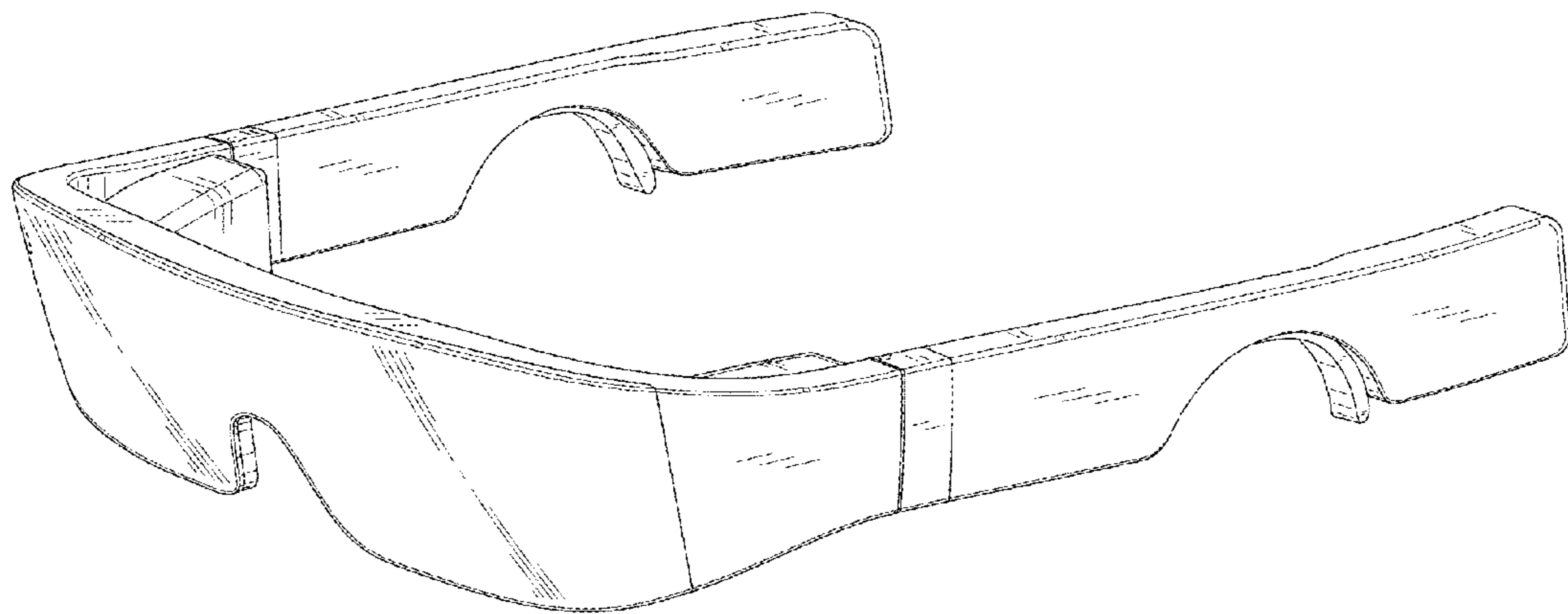


FIG. 2

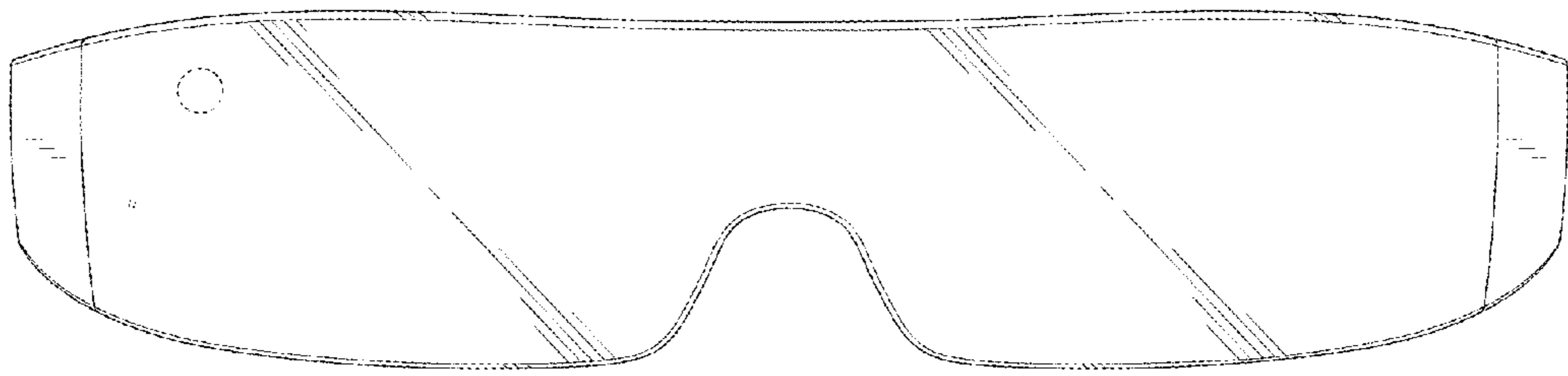


FIG. 3

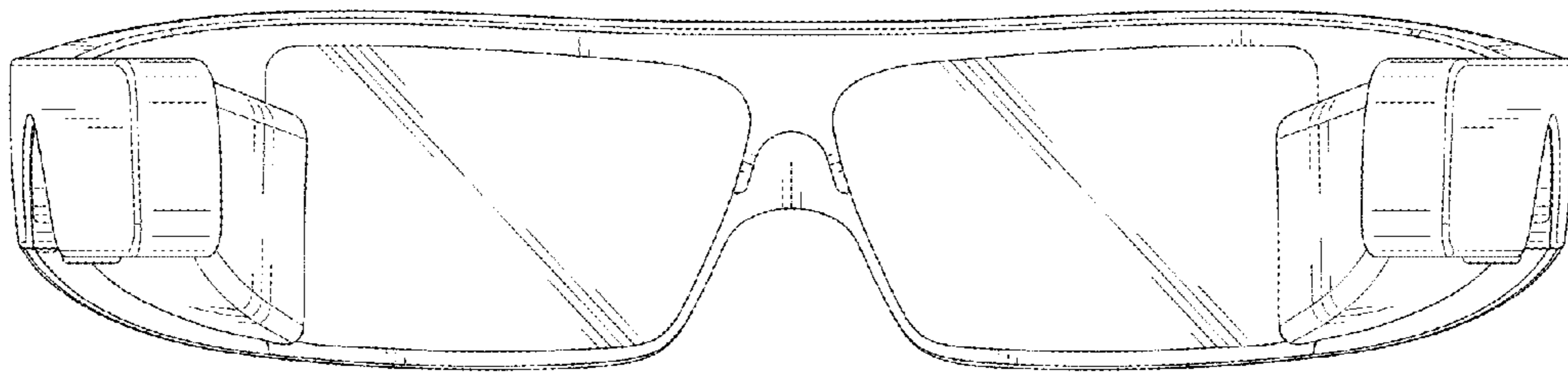


FIG. 4

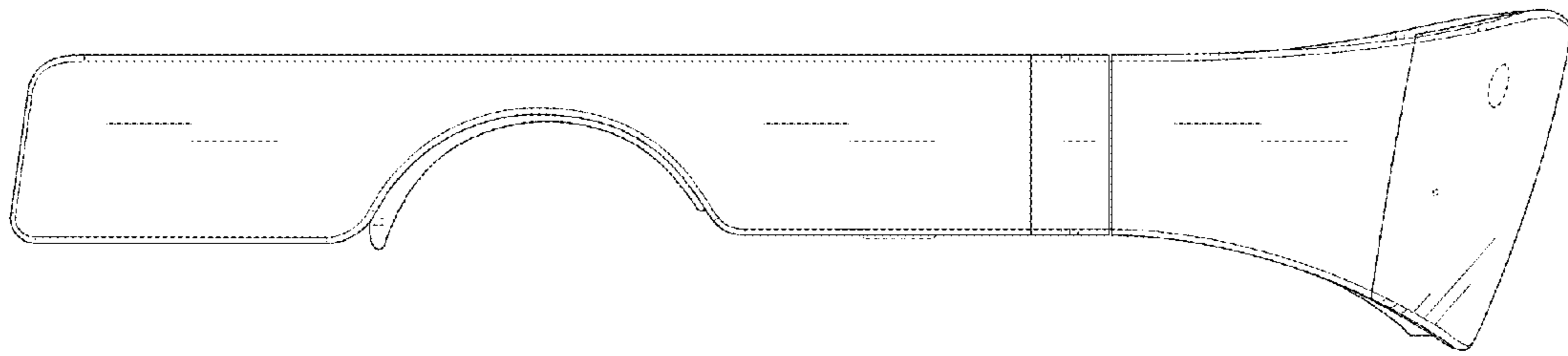


FIG. 5

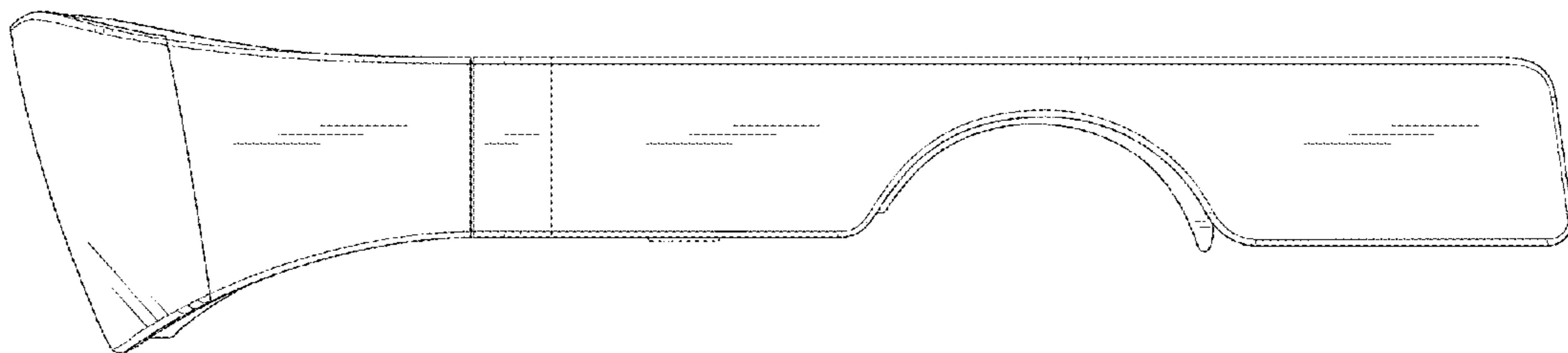


FIG. 6

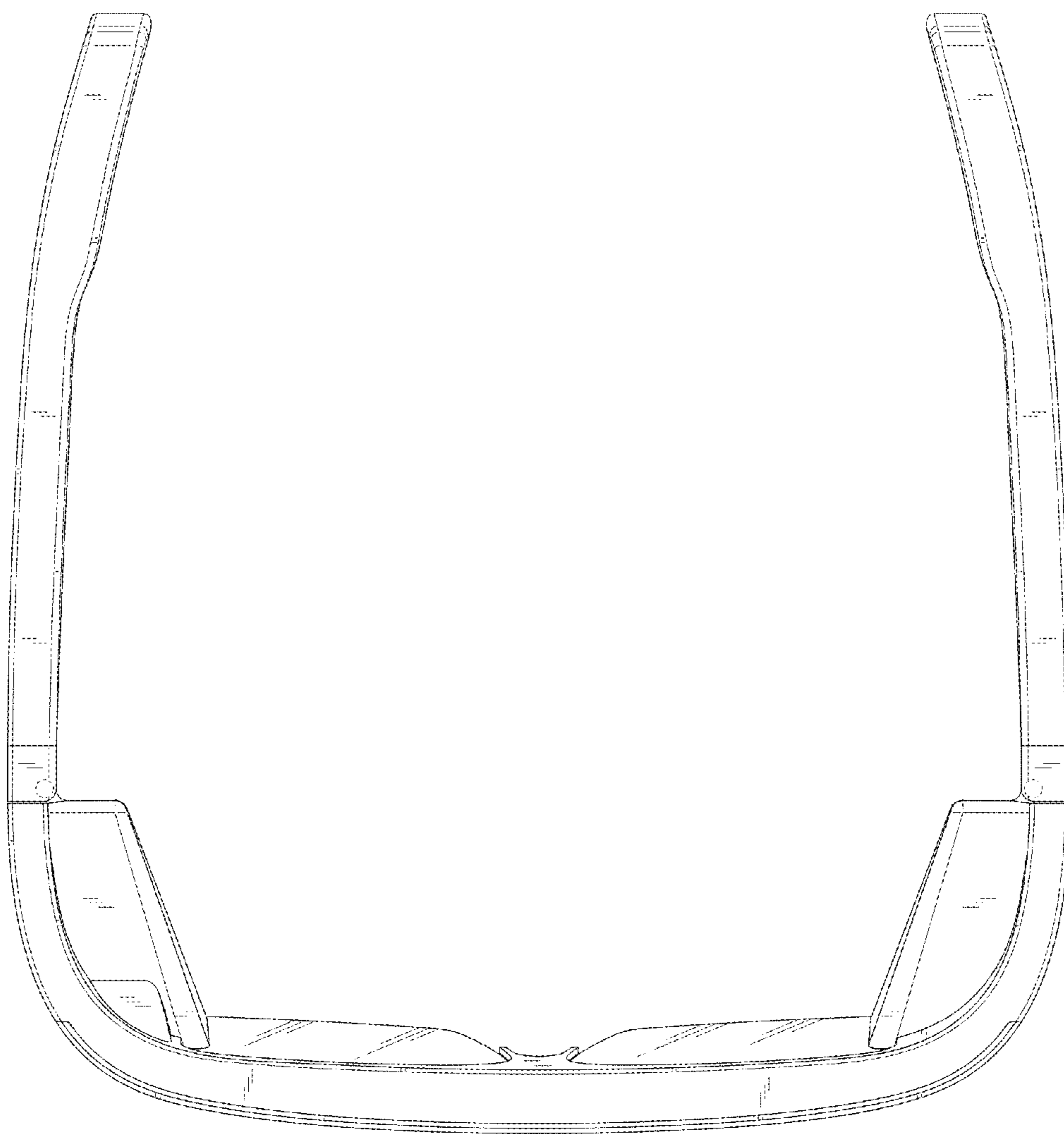


FIG. 7

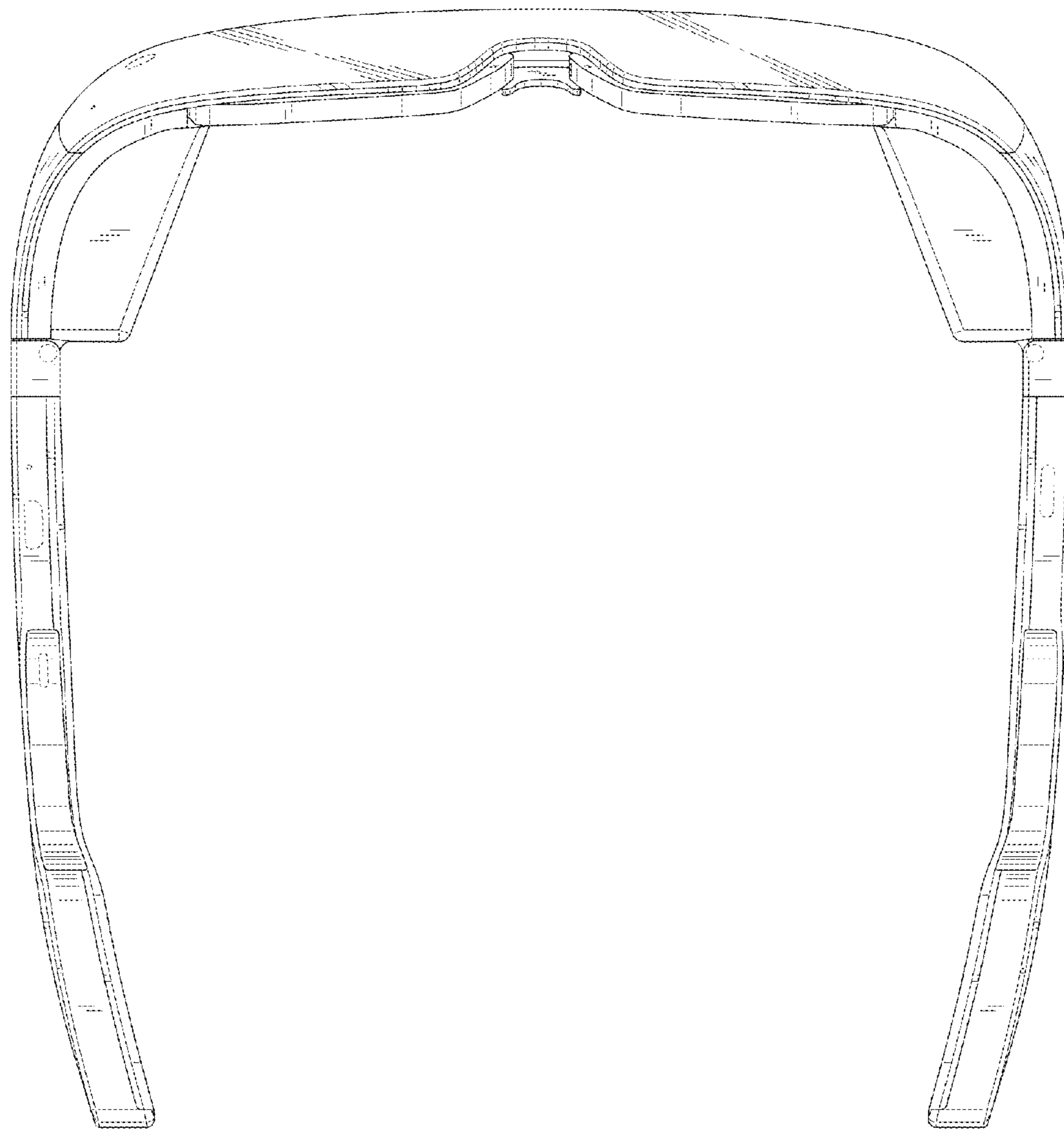


FIG. 8

