



US00D766892S

(12) **United States Design Patent** (10) **Patent No.:** **US D766,892 S**
Bajwa et al. (45) **Date of Patent:** **** Sep. 20, 2016**

(54) **INDUSTRIAL COMPUTER**

(71) Applicant: **Phoenix Contact Development and Manufacturing, Inc.**, Middletown, PA (US)

(72) Inventors: **Jessbir Singh Bajwa**, Canton, MI (US); **Randal Earle Bradakis**, Livonia, MI (US); **Russell Brink**, Ann Arbor, MI (US); **Patrick Kubovsky**, Mechanicsburg, PA (US); **Scott David Lindstrom**, Mechanicsburg, PA (US); **Michael Wayne Rothwell**, Mechanicsburg, PA (US); **Michael Ahlbrecht**, Bad Pyrmont (DE); **Sooshin Choi**, Cincinnati, OH (US); **Dietmar Knecht**, Leopoldshoehe (DE)

(73) Assignee: **Phoenix Contact Development & Manufacturing, Inc.**, Middletown, PA (US)

(**) Term: **15 Years**

(21) Appl. No.: **29/545,379**

(22) Filed: **Nov. 12, 2015**

Related U.S. Application Data

(63) Continuation of application No. 29/469,947, filed on Oct. 16, 2013, now Pat. No. Des. 746,279, which is a continuation of application No. 29/431,768, filed on Sep. 11, 2012, now Pat. No. Des. 704,186.

(51) **LOC (10) Cl.** **14-02**

(52) **U.S. Cl.**
USPC **D14/341**

(58) **Field of Classification Search**
USPC D14/315-318, 341-347, 420, 426, 129, D14/130, 496, 137, 138 R, 138 AA, 138 C, D14/138 G, 147, 203.1, 203.3, 204.4, 203.7, D14/218, 248, 388, 389; D10/50, 65, 104.1; D21/329, 330; D6/308, 310

CPC .. G06F 3/0485; G06F 3/0488; G06F 1/1613; G06F 1/1624; G06F 1/1626; G06F 1/165; H04M 1/0202; H04M 1/0264; H04M 1/0241; H04M 1/0279; H04M 1/0281; H04M 1/0283; H04M 1/72544

See application file for complete search history.

(56) **References Cited**

U.S. PATENT DOCUMENTS

D306,583	S	*	3/1990	Krolopp	D13/184
D313,024	S	*	12/1990	Richards	D14/137
D334,744	S	*	4/1993	Tokiyama	D14/137
D355,141	S	*	2/1995	Hipchen	D10/104.1
D361,754	S	*	8/1995	Jambhekar	D14/345
D415,481	S	*	10/1999	Cooper	D14/440
D440,966	S	*	4/2001	Ronzani	D14/344
D464,960	S	*	10/2002	Yamada	D14/343
D516,565	S	*	3/2006	O'Neil	D14/247

(Continued)

Primary Examiner — Barbara Fox

Assistant Examiner — Dana K Weiland

(74) *Attorney, Agent, or Firm* — Hooker & Habib, P.C.

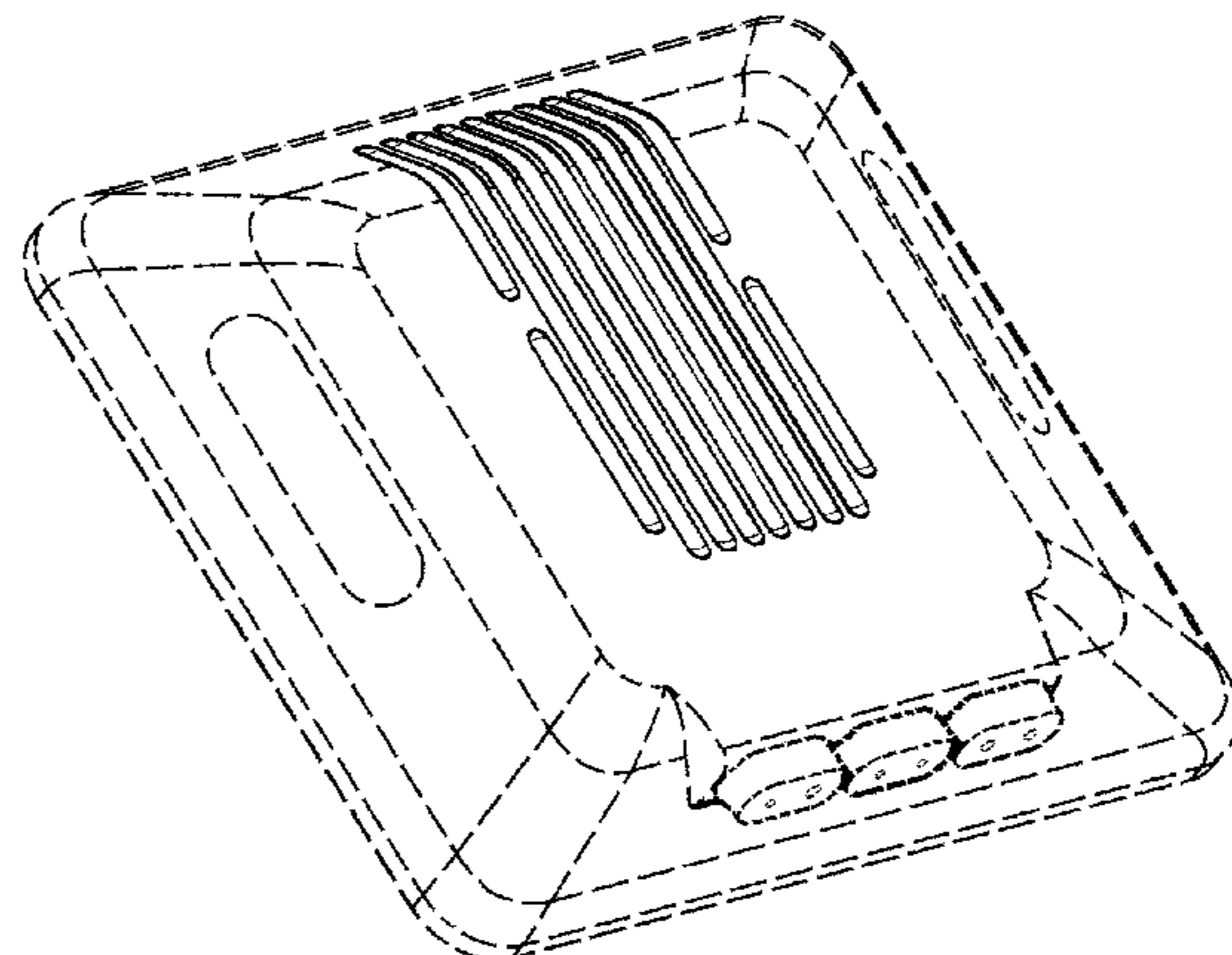
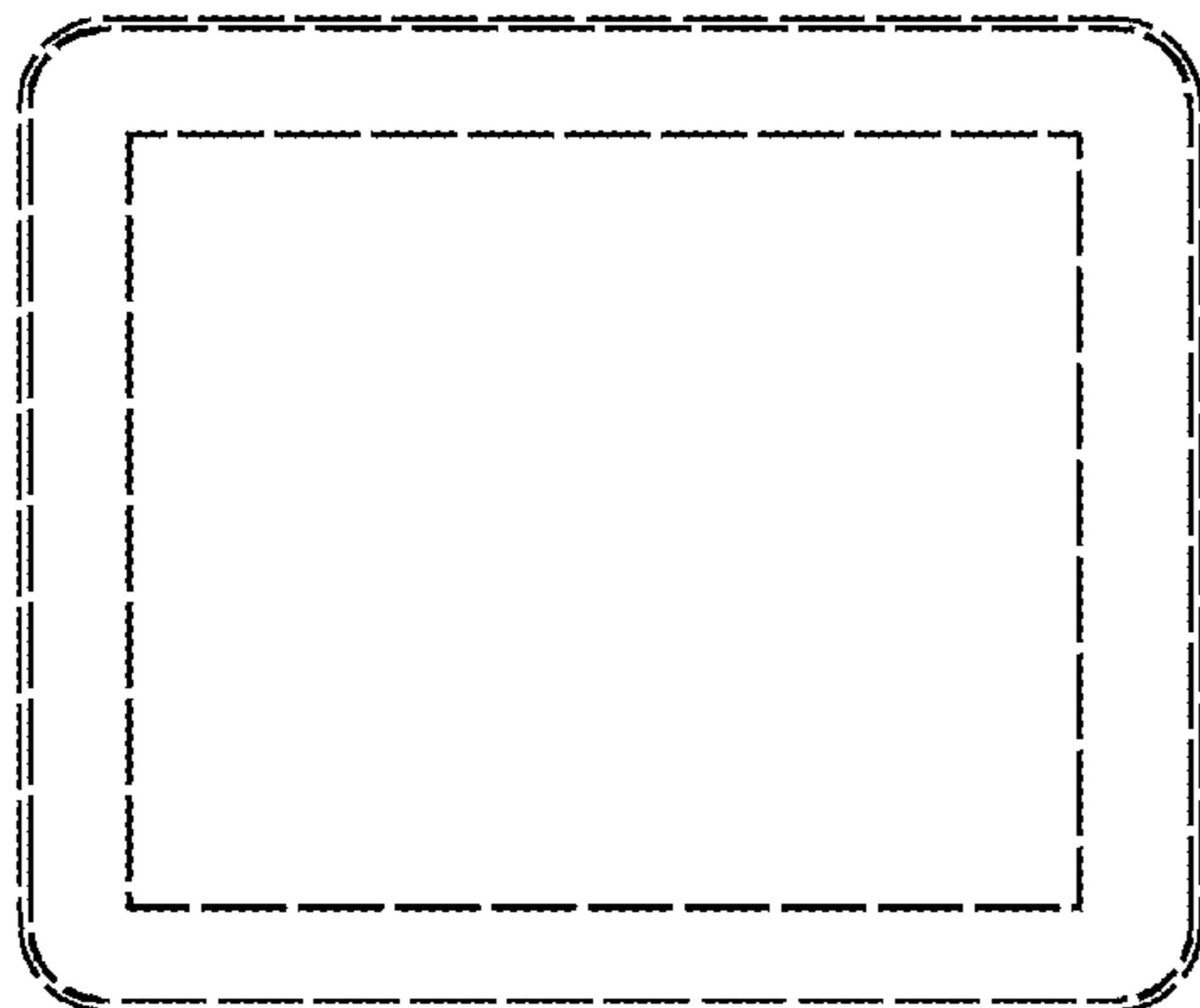
(57) **CLAIM**

The ornamental design for an industrial computer, substantially as shown and described.

DESCRIPTION

FIG. 1 is a top view of an industrial computer showing the new design;
FIG. 2 is the bottom view thereof;
FIG. 3 is the front view thereof;
FIG. 4 is the rear view thereof;
FIG. 5 is the right side view thereof;
FIG. 6 is the left side view thereof; and,
FIG. 7 is the bottom right perspective view thereof.
The broken lines shown in the drawings illustrate portions of the industrial computer that form no part of the claimed design.

1 Claim, 5 Drawing Sheets



(56)

References Cited

U.S. PATENT DOCUMENTS

D560,683 S *	1/2008	Lee	D14/496	D649,965 S *	12/2011	Chiu	D14/341
D587,260 S *	2/2009	Marsh	D14/341	D654,049 S *	2/2012	Chung	D14/138 G
D596,173 S *	7/2009	Arfin	D14/307	D670,694 S *	11/2012	Li	D14/341
D597,864 S *	8/2009	Sakuma	D10/50	D670,695 S *	11/2012	Li	D14/341
D600,242 S *	9/2009	Yeh	D14/341	D674,384 S *	1/2013	Zhang	D14/341
D611,364 S *	3/2010	Lenz	D10/65	D704,186 S *	5/2014	Bajwa	D14/341
D613,510 S *	4/2010	Tzeng	D14/371	D721,348 S *	1/2015	Plaschke	D14/138 AA
D624,073 S *	9/2010	Peng	D14/341	D734,748 S *	7/2015	Chen	D14/341
D636,747 S *	4/2011	Buzzard	D14/126	D734,749 S *	7/2015	Chen	D14/341
D641,354 S *	7/2011	Hsu	D14/341	D737,860 S *	9/2015	Mar	D14/496
					D746,279 S *	12/2015	Bajwa	D14/341
					D746,280 S *	12/2015	Bajwa	D14/341
					D755,175 S *	5/2016	Bajwa	D14/341

* cited by examiner

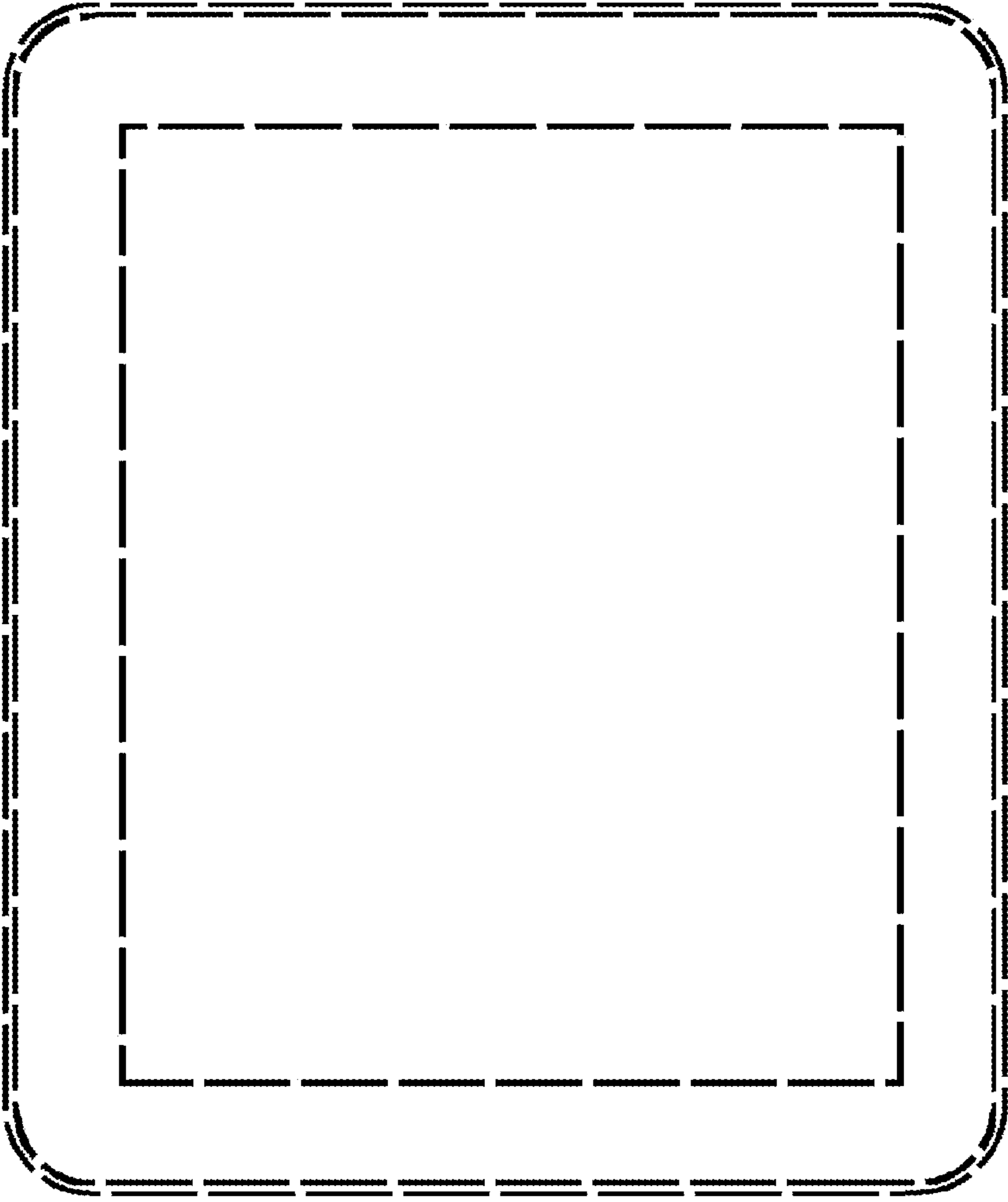


Fig. 1

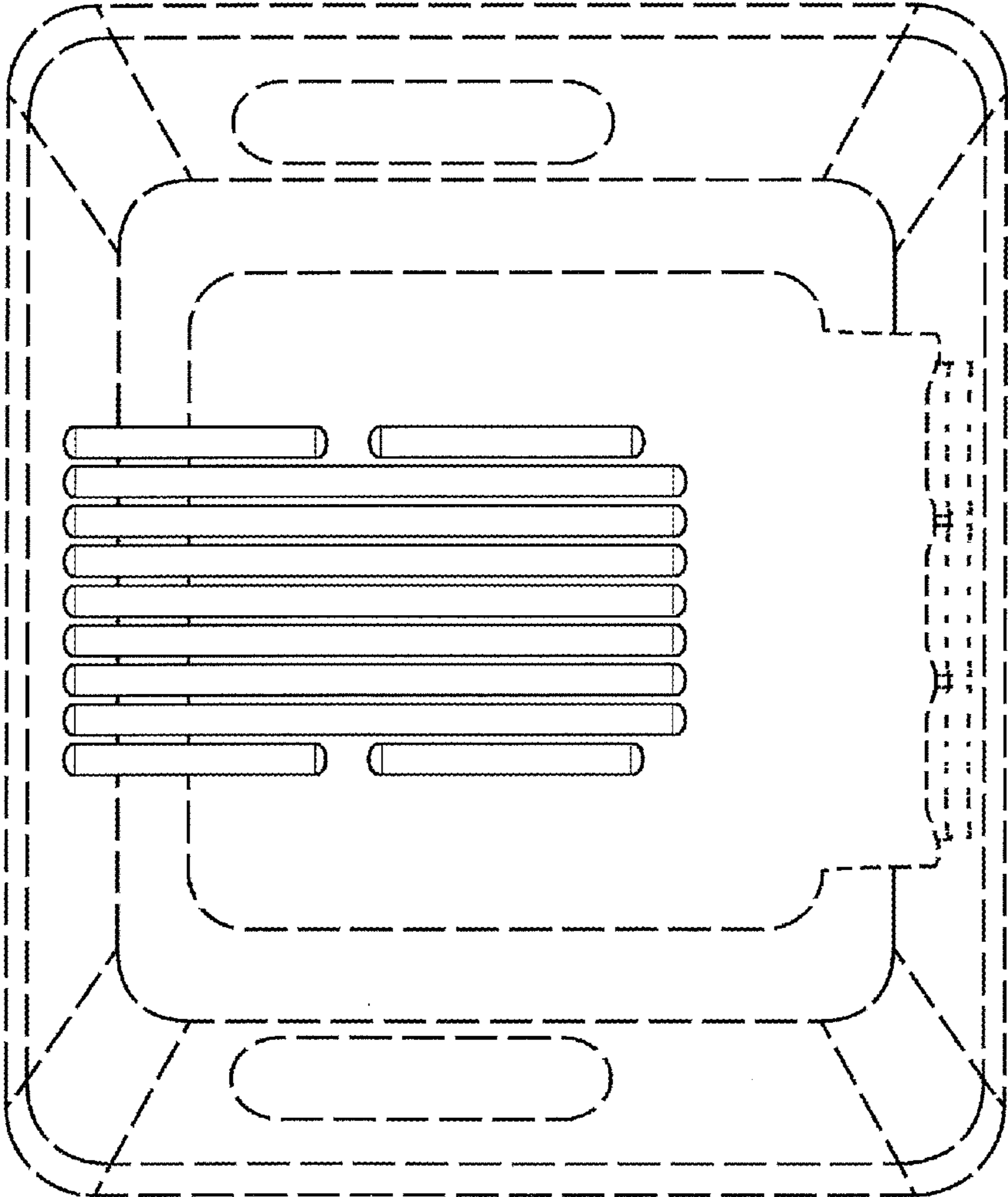


Fig. 2

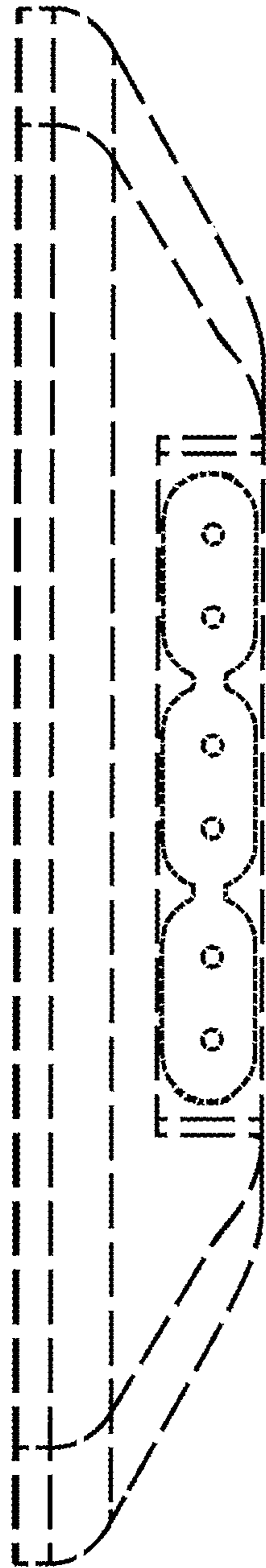


Fig. 3

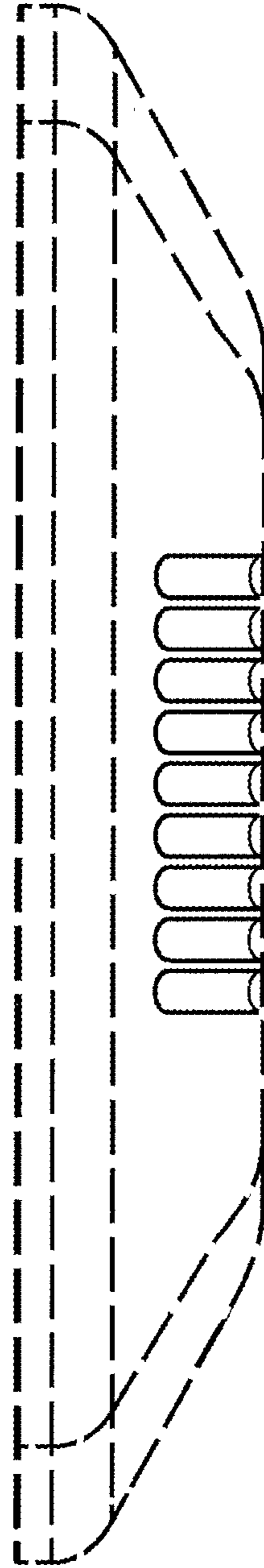


Fig. 4

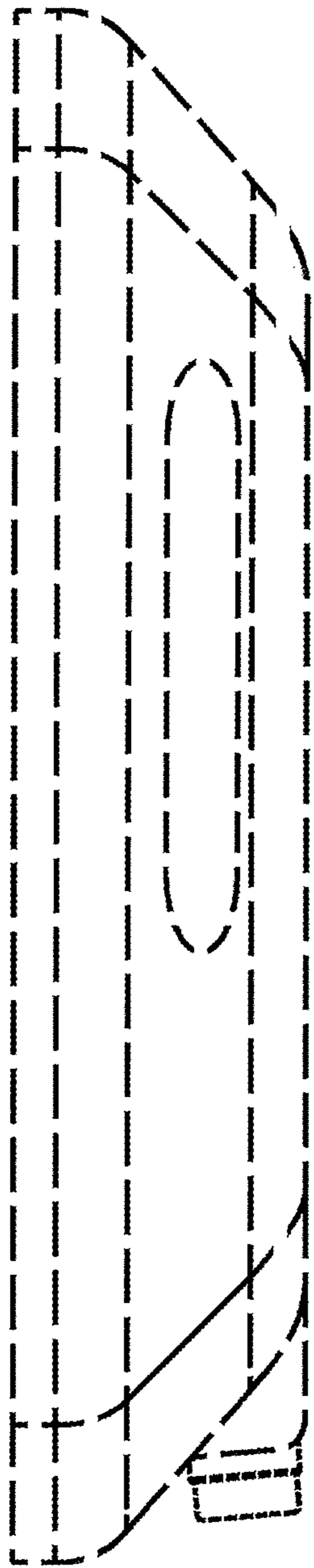


Fig. 5

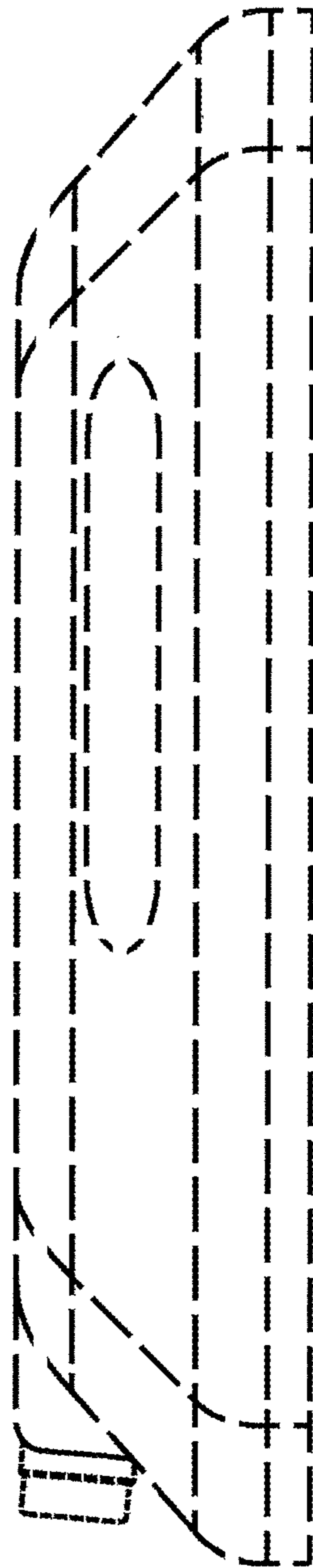


Fig. 6

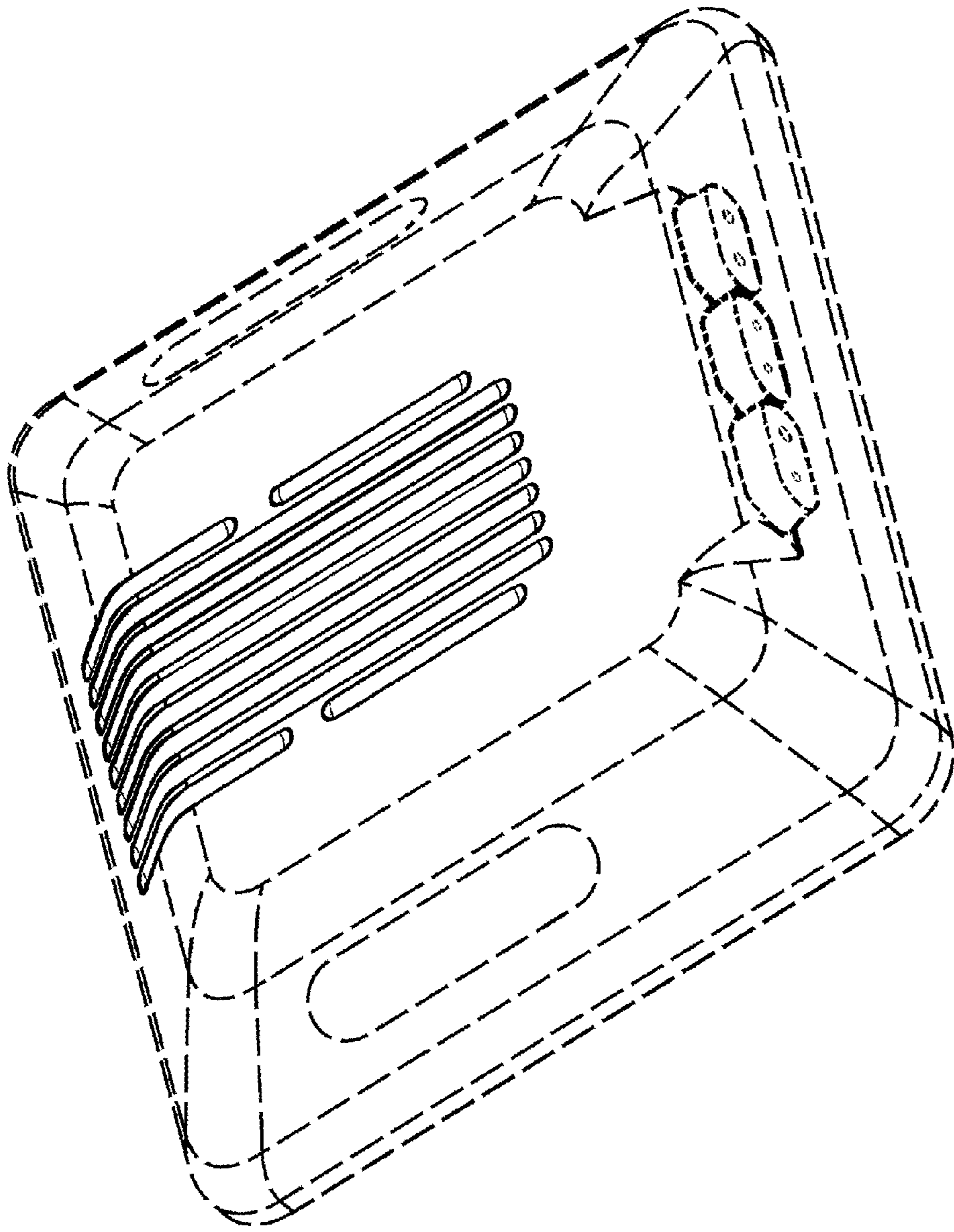


Fig. 7