

US00D766886S

(12) **United States Design Patent** (10) **Patent No.:** **US D766,886 S**
Lee (45) **Date of Patent:** **** Sep. 20, 2016**

- (54) **SMART PHONE HOLDER**
- (71) Applicant: **Dongyeob Lee**, Bucheon-Si (KR)
- (72) Inventor: **Dongyeob Lee**, Bucheon-Si (KR)
- (73) Assignee: **SHINHYEONG INT CO., LTD.**,
Bucheon-Si, Gyeonggi-Do (KR)
- (**) Term: **14 Years**
- (21) Appl. No.: **29/525,385**
- (22) Filed: **Apr. 29, 2015**
- (51) **LOC (10) Cl.** **14-03**
- (52) **U.S. Cl.**
USPC **D14/253**
- (58) **Field of Classification Search**
USPC D14/253, 251, 252, 447, 451, 452, 440,
D14/434, 458, 432, 439, 457, 460, 238.1,
D14/140, 142, 149, 217, 148, 140.8, 140.11,
D14/209.1, 151, 140.9, 250, 238; D13/107,
D13/108; D12/415, 223, 114, 420, 417,
D12/407, 177; D3/218; D16/242-245, 250,
D16/237, 203, 214, 219; D8/349; D6/675,
D6/672, 673, 675.4, 553, 676, 310, 406.3,
D6/406.4, 406.5, 406.6, 407, 567, 300,
D6/682.3; 248/459, 460; 224/483
CPC B60R 2011/0008; B60R 11/02; B60R
11/0241; B60R 11/0258; B60R 11/0252;
B60R 2011/0294; F16M 11/00; F16M 11/04;
F16M 11/041; F16M 11/02; F16M 11/06;
F16M 13/00; H04M 1/02; H04M 1/04;
H04M 1/11; H04M 1/12; A47F 7/022;
B62J 11/00; H05K 7/00; G03B 17/56
See application file for complete search history.

D598,910 S *	8/2009	Bradford	D14/217
D618,222 S *	6/2010	Kallas	D14/229
D684,962 S *	6/2013	Linhardt	D14/253
D690,997 S *	10/2013	Zemel	D7/590
8,998,048 B1 *	4/2015	Wu	B62J 11/00 224/420
D739,853 S *	9/2015	Lee	D14/253
D748,615 S *	2/2016	Lee	D14/251
D756,987 S *	5/2016	Taing	D14/253
2012/0223196 A1 *	9/2012	Musselman	B60R 11/02 248/220.21
2015/0144754 A1 *	5/2015	Elharar	B60R 11/0241 248/230.8
2016/0082893 A1 *	3/2016	Ormsbee	B60R 11/0241 224/558

* cited by examiner

Primary Examiner — Susan Bennett Hattan

Assistant Examiner — Janice Hallmark

(74) *Attorney, Agent, or Firm* — John K. Park; Park Law Firm

(57) **CLAIM**

The ornamental design for a smart phone holder, as shown and described.

DESCRIPTION

FIG. 1 is a perspective view of a smart phone holder showing my new design;
 FIG. 2 is a top view thereof;
 FIG. 3 is a bottom plan view thereof;
 FIG. 4 is a rear view thereof;
 FIG. 5 is a front view thereof; and,
 FIG. 6 is a side view thereof.

1 Claim, 4 Drawing Sheets

(56) **References Cited**

U.S. PATENT DOCUMENTS

D286,978 S *	12/1986	Cogburn	D8/396
D506,385 S *	6/2005	Brown	D8/394
D511,679 S *	11/2005	Malin	D8/396

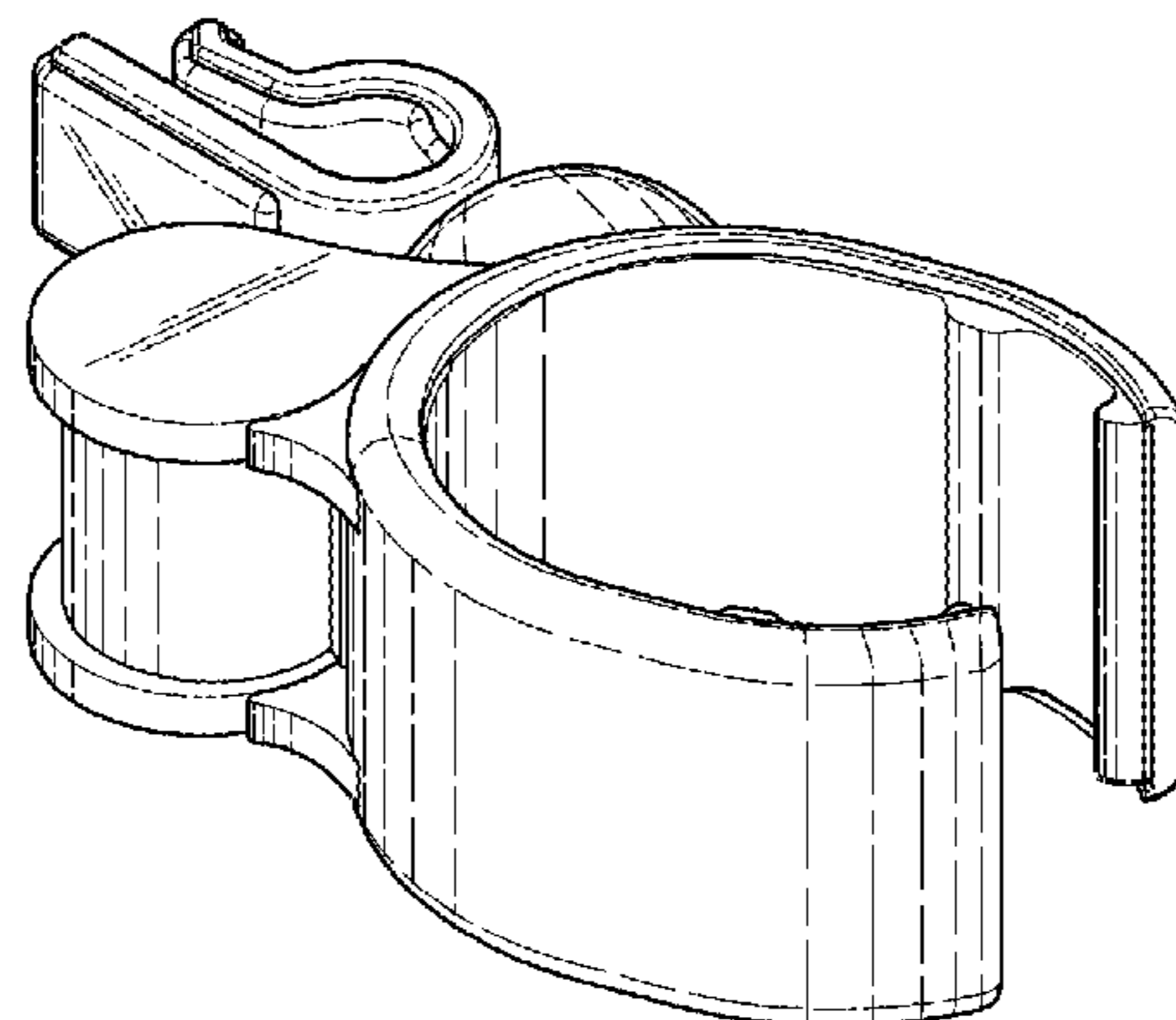


FIG. 1

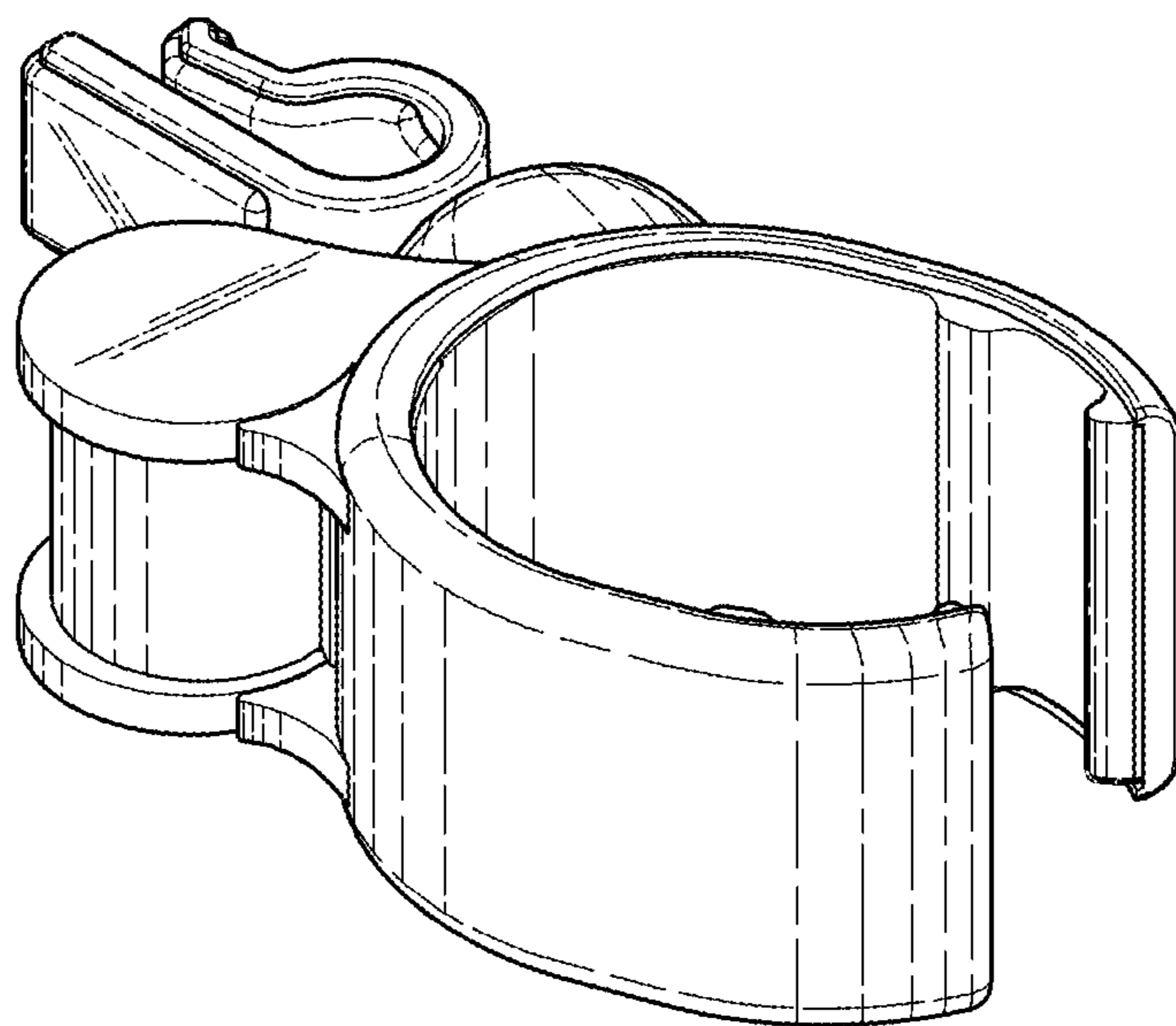


FIG. 2

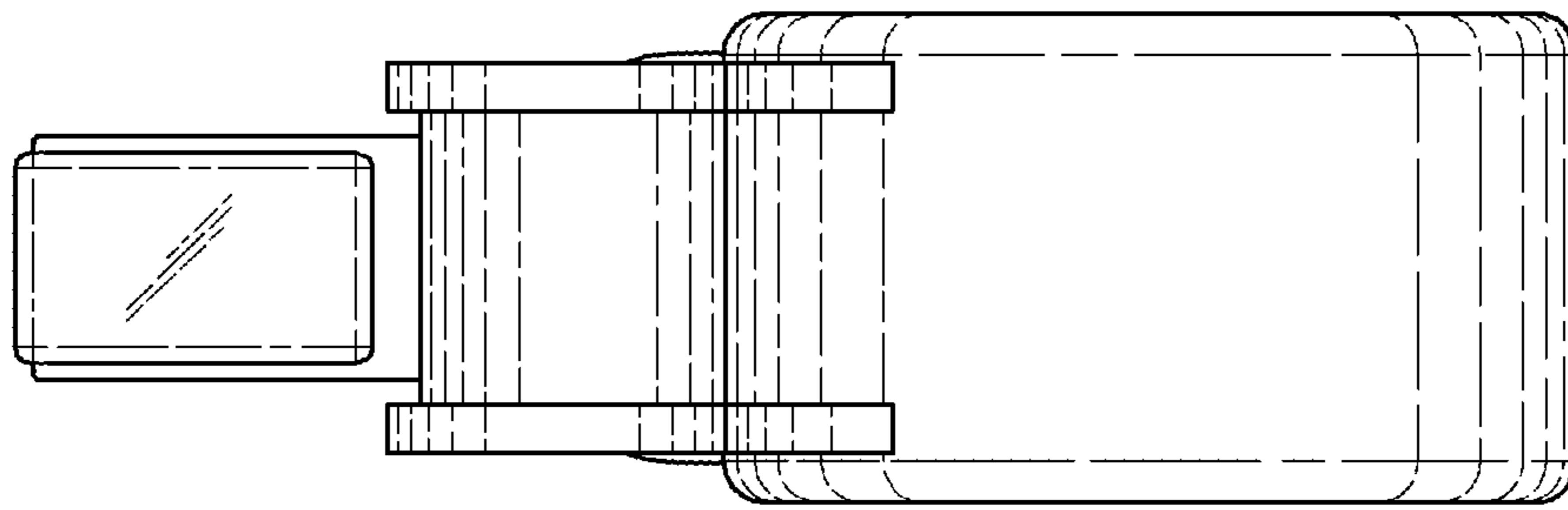


FIG. 3

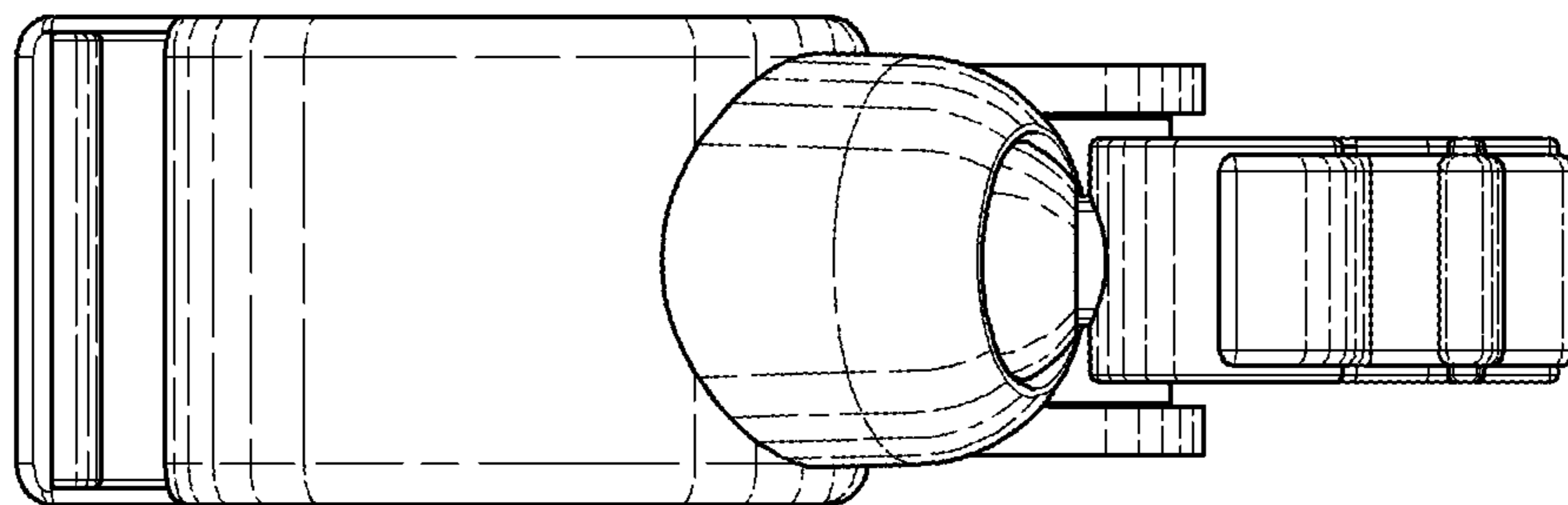


FIG. 4

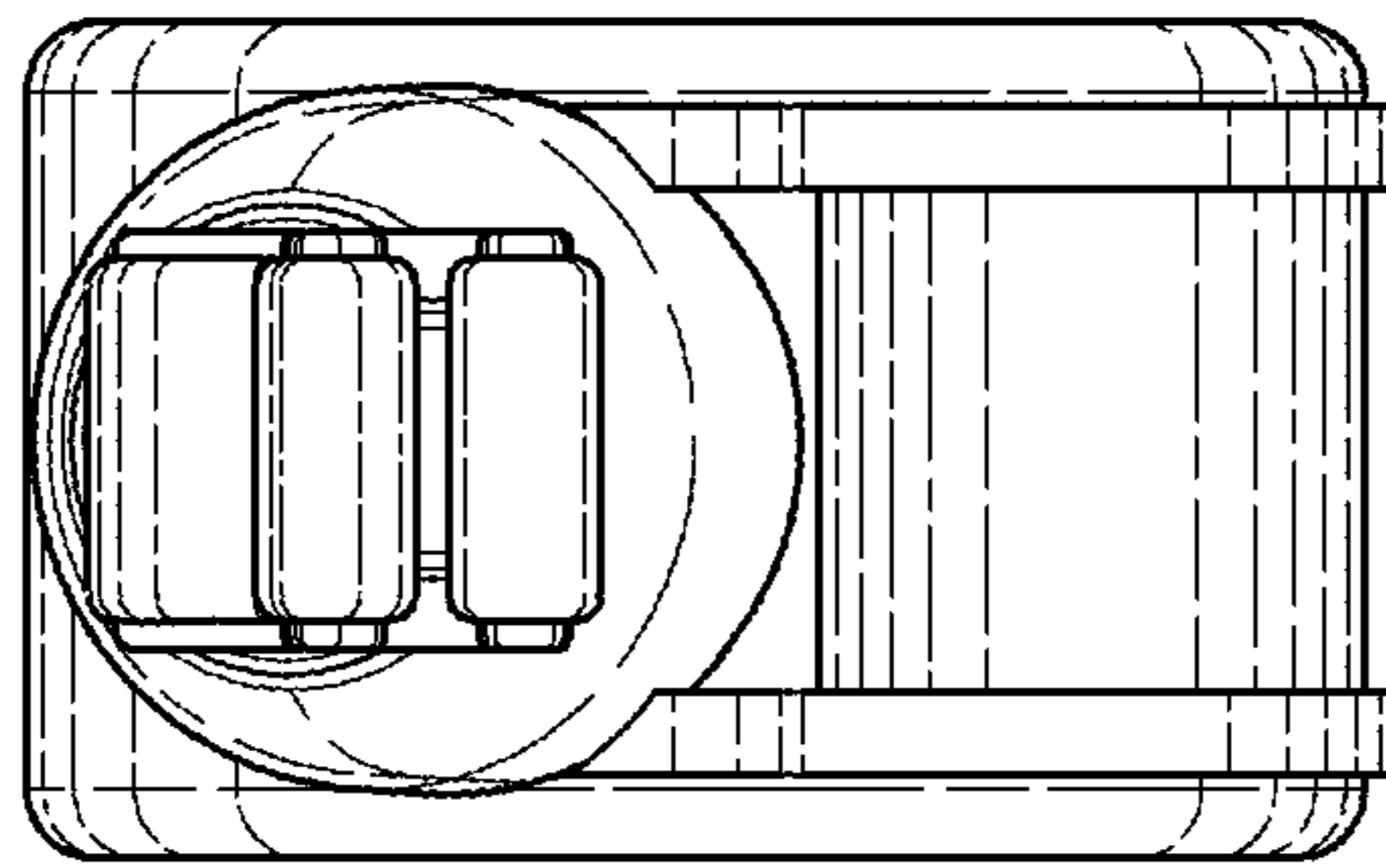


FIG. 5

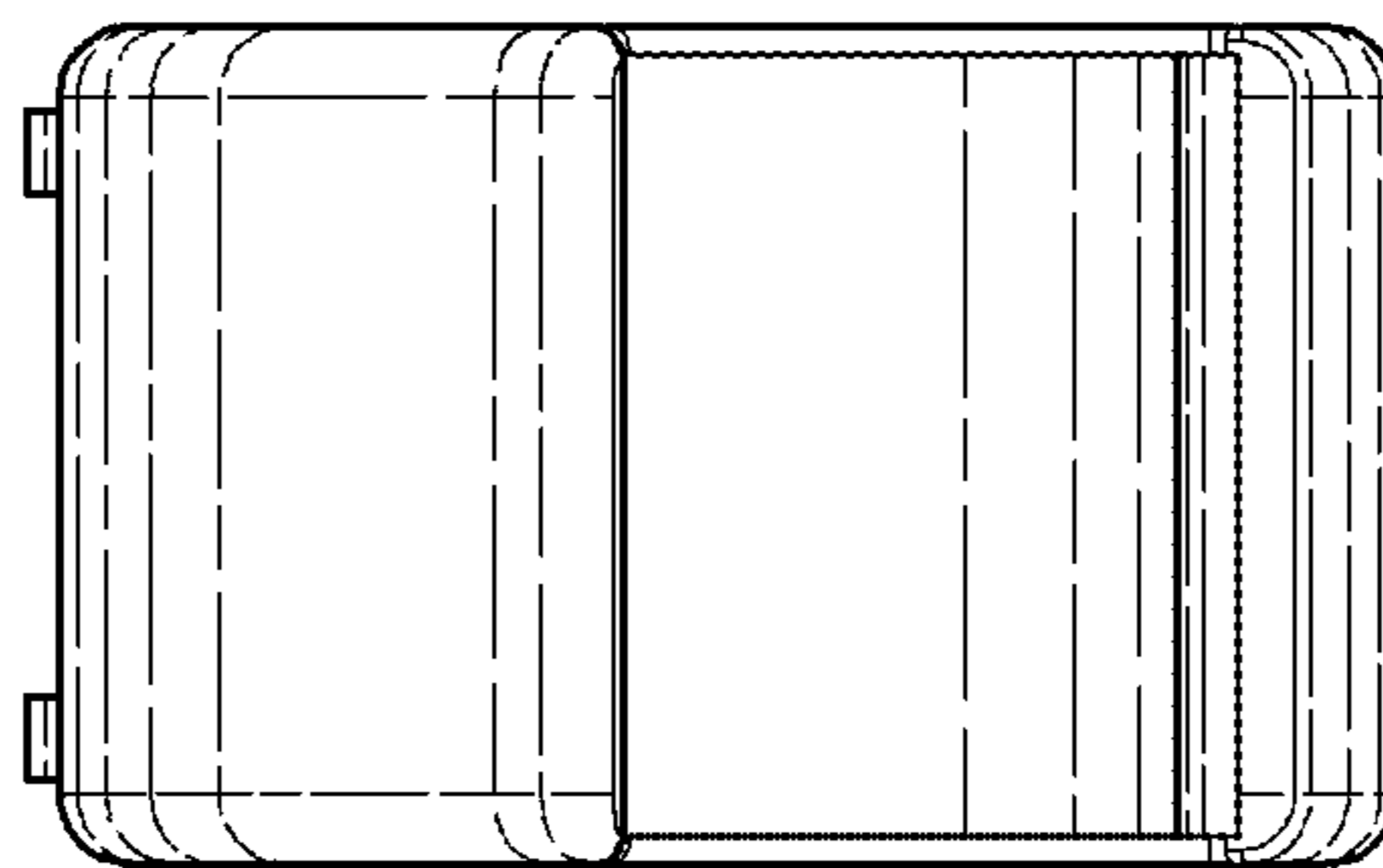


FIG. 6

