



US00D766879S

(12) **United States Design Patent**
Park et al.

(10) **Patent No.:** **US D766,879 S**

(45) **Date of Patent:** **** Sep. 20, 2016**

- (54) **STAND FOR SPEAKER**
- (71) Applicant: **Samsung Electronics Co., Ltd.**,
Suwon-si, Gyeonggi-do (KR)
- (72) Inventors: **Hae Sung Park**, Seoul (KR); **Dong Ryul Lim**, Seoul (KR); **Bumho Chun**,
Yongin-si (KR)
- (73) Assignee: **SAMSUNG ELECTRONICS CO., LTD.**,
Suwon-Si, Gyeonggi-Do (KR)

507,178 A *	10/1893	Smith	F16M 11/20 248/170
587,391 A *	8/1897	Gandy	A47C 4/40 248/431
677,011 A *	6/1901	Beckett	A47B 3/12 248/166
1,006,427 A *	10/1911	Boraks	F16M 11/28 248/171
D46,458 S *	9/1914	Templin	D6/700
1,443,432 A *	1/1923	Peacock	F16M 11/16 248/155
1,593,415 A *	7/1926	Perkins	F16M 11/38 248/170

(Continued)

- (**) Term: **15 Years**
- (21) Appl. No.: **29/529,901**
- (22) Filed: **Jun. 11, 2015**

FOREIGN PATENT DOCUMENTS

CN	302943872 S	9/2014
EM	002103622-0001	9/2012

OTHER PUBLICATIONS

<http://www.mytopsky.cn/product.php?id=204>.

Primary Examiner — Paula Greene

(74) *Attorney, Agent, or Firm* — Ladas & Parry LLP

- (30) **Foreign Application Priority Data**
Dec. 30, 2014 (KR) 30-2014-0064336
- (51) **LOC (10) Cl.** **14-01**
- (52) **U.S. Cl.**
USPC **D14/224; D14/211**
- (58) **Field of Classification Search**
USPC D14/224, 204, 209.1, 211, 217, 221,
D14/126, 129, 239, 253, 451, 447, 452;
D16/242, 244, 245; D6/708.25, 700,
D6/701; D17/22, 99; D26/63, 140;
D21/716, 717; 248/441.1, 183.2, 168,
248/460, 156, 188.5, 431; 396/419, 428;
135/66
CPC F16M 13/00; F16M 11/18; F16M 11/38
See application file for complete search history.

(57) **CLAIM**

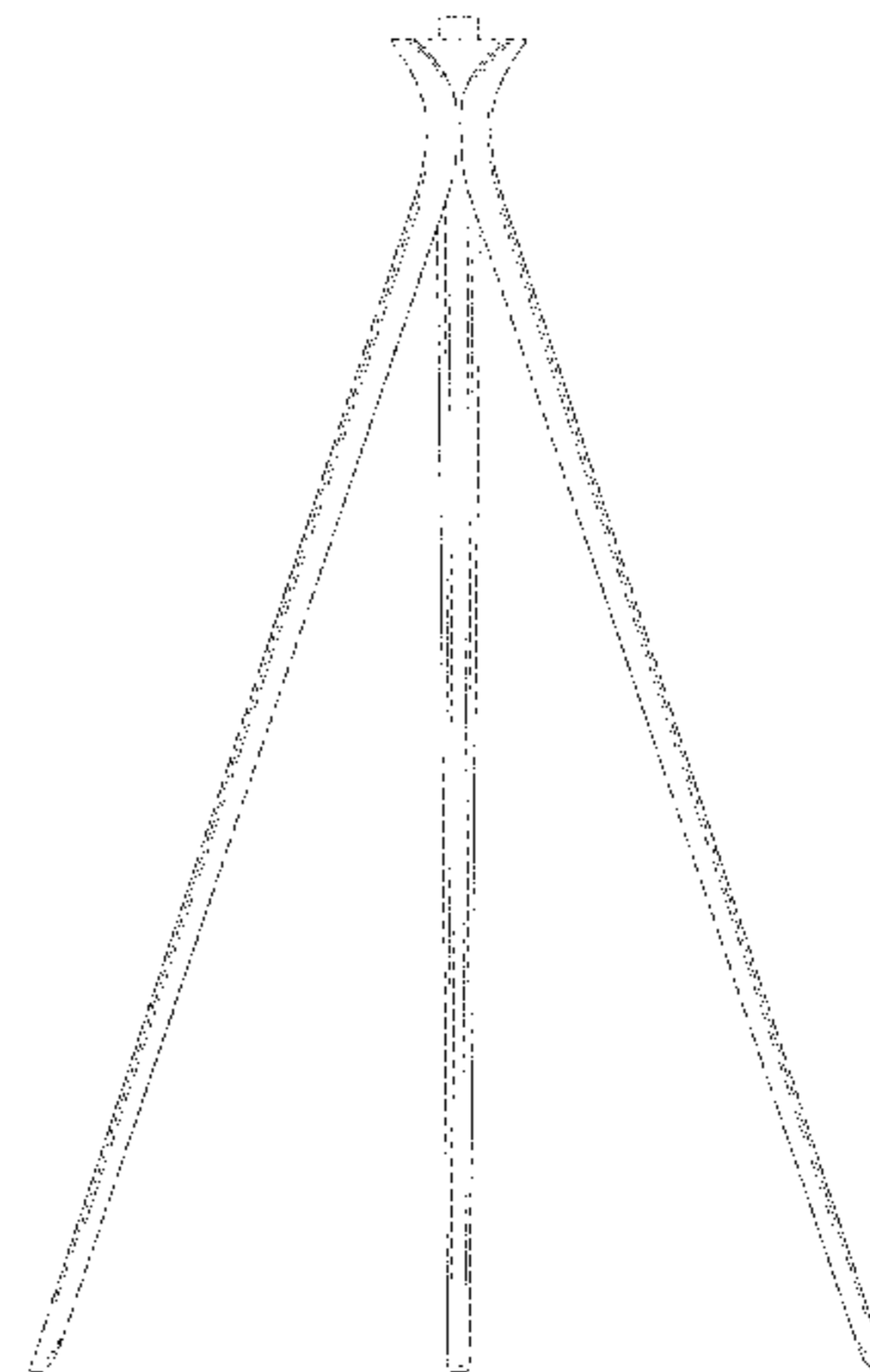
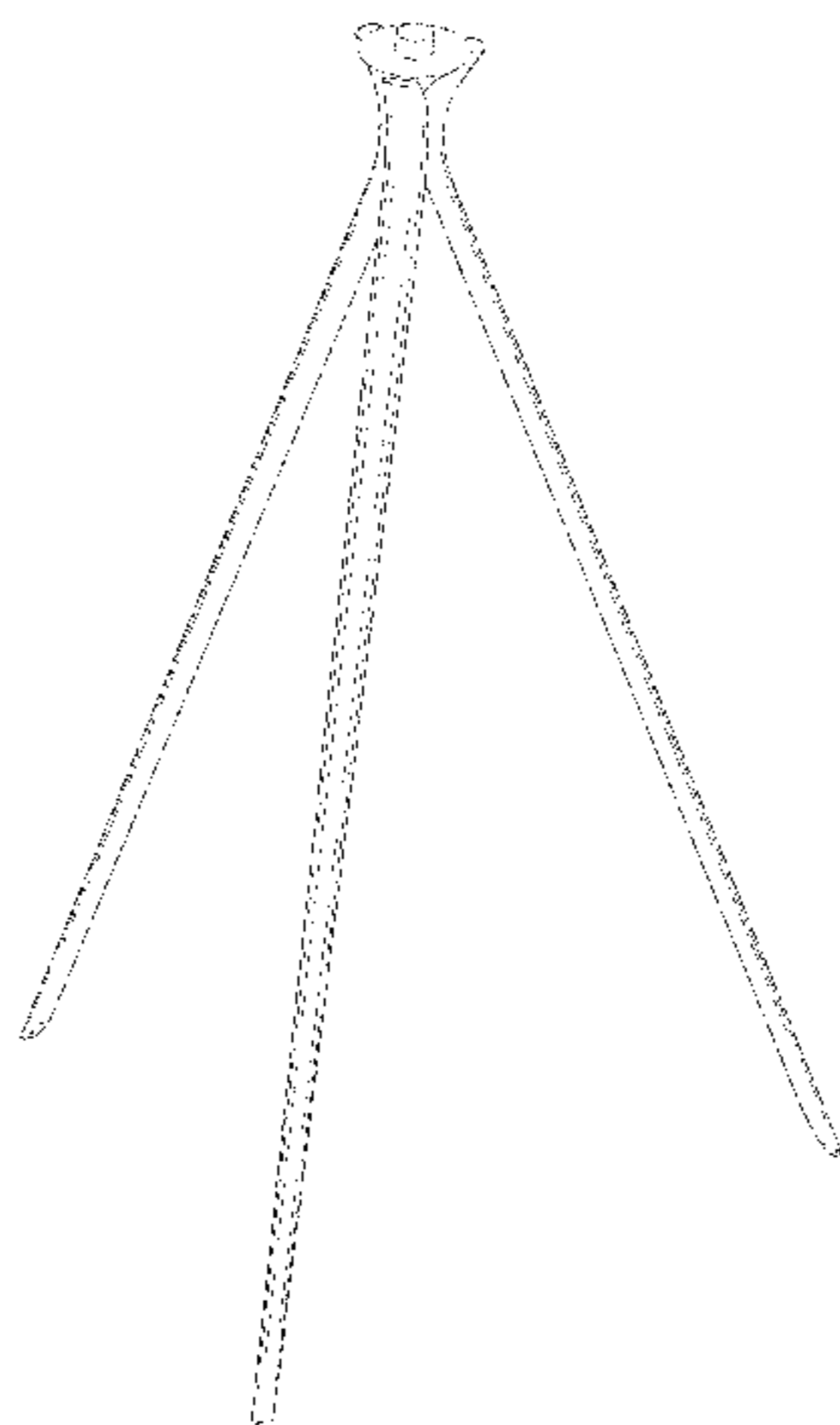
We claim the ornamental design for a stand for speaker, as shown and described.

DESCRIPTION

FIG. 1 is the front perspective view of a stand for speaker showing our new design;
 FIG. 2 is the front view thereof;
 FIG. 3 is the rear view thereof;
 FIG. 4 is the left-side view thereof;
 FIG. 5 is the right-side view thereof;
 FIG. 6 is the top plan view thereof;
 FIG. 7 is the bottom plan view thereof; and,
 FIG. 8 is a perspective view thereof shown in use.
 The broken lines in the drawing show unclaimed environment only and form no part of the claimed design.

1 Claim, 8 Drawing Sheets

- (56) **References Cited**
U.S. PATENT DOCUMENTS
340,195 A * 4/1886 Curtis F16M 11/20
211/203
366,833 A * 7/1887 Hipwell A47B 3/12
248/163.2



(56)

References Cited

U.S. PATENT DOCUMENTS

D74,218 S * 1/1928 Grau D14/207
 2,226,827 A * 12/1940 Moore F16M 11/10
 248/183.2
 2,282,285 A * 5/1942 Olson F16M 11/28
 16/24
 2,297,980 A * 10/1942 Perkins B25H 1/00
 248/171
 D139,445 S * 11/1944 Barger D6/701
 2,508,122 A * 5/1950 Mooney F16M 11/28
 188/74
 2,588,399 A * 3/1952 McQuin E04G 1/34
 182/20
 2,630,289 A * 3/1953 Selig F16M 11/22
 248/169
 2,633,319 A * 3/1953 Musial F16M 11/16
 248/168
 2,673,636 A * 3/1954 Vermette B25H 1/00
 193/42
 D179,828 S * 3/1957 Welt D16/244
 2,845,244 A * 7/1958 Prokop F16M 11/30
 160/24
 2,865,133 A * 12/1958 Hoven A47B 13/06
 16/30
 2,973,933 A * 3/1961 Howell A47B 3/0812
 248/168
 3,006,052 A * 10/1961 Stickney F16M 11/04
 248/177.1
 D193,339 S * 8/1962 Eames D6/366
 3,064,932 A * 11/1962 Holderman F16M 11/28
 248/171
 3,113,531 A * 12/1963 Barnard A47B 13/023
 108/115
 3,142,464 A * 7/1964 Zelenitz A47G 33/1226
 248/151
 3,162,410 A * 12/1964 Owens F16M 11/38
 248/170
 3,201,080 A * 8/1965 Rose F16M 11/32
 248/156
 3,215,097 A * 11/1965 Bedol A47B 3/12
 108/118
 3,257,091 A * 6/1966 Muller F16M 11/16
 24/710.6
 3,300,165 A * 1/1967 O’Kane F16M 11/16
 248/168

3,469,342 A * 9/1969 Morris A47G 33/12
 248/188.7
 3,480,250 A * 11/1969 Hankins F16M 11/38
 248/161
 D223,638 S * 5/1972 Smith D16/244
 3,716,211 A * 2/1973 Butz A47B 97/04
 248/168
 D229,146 S * 11/1973 Kipp et al. D6/708.25
 3,921,947 A * 11/1975 Adam F16M 11/34
 248/168
 4,438,896 A * 3/1984 Hall F16M 11/20
 248/168
 4,502,654 A * 3/1985 Albee, Jr. F16M 11/32
 248/168
 D282,320 S * 1/1986 Anderson D16/244
 4,697,772 A * 10/1987 Kosugi F16M 11/02
 248/183.3
 D310,426 S * 9/1990 Rook D26/138
 4,988,064 A * 1/1991 Hoshino F16M 11/24
 248/165
 D326,105 S * 5/1992 Doi D16/244
 5,390,885 A * 2/1995 Shen F16M 11/16
 248/168
 5,660,366 A * 8/1997 Palmer F16M 11/14
 248/167
 5,772,164 A * 6/1998 Shen F16M 11/14
 248/168
 6,092,770 A * 7/2000 Battocchio F16M 11/16
 248/166
 D465,235 S * 11/2002 Heid D17/99
 D533,578 S * 12/2006 Oka D16/244
 D603,374 S 11/2009 Peters
 D620,491 S * 7/2010 Wu D14/411
 D632,720 S * 2/2011 Barker D16/244
 D672,754 S 12/2012 Inada
 D673,204 S * 12/2012 Bae D16/244
 D704,486 S * 5/2014 Cho D6/701
 D707,656 S 6/2014 Brunner et al.
 D723,091 S * 2/2015 Hale D16/244
 D739,456 S * 9/2015 Poli D16/244
 D743,314 S * 11/2015 Thole D12/196
 D750,093 S * 2/2016 Jung D14/451
 2008/0011344 A1 * 1/2008 Barker F16M 11/14
 135/66
 2012/0269503 A1 * 10/2012 Hale F16M 11/14
 396/428

* cited by examiner

FIG.1

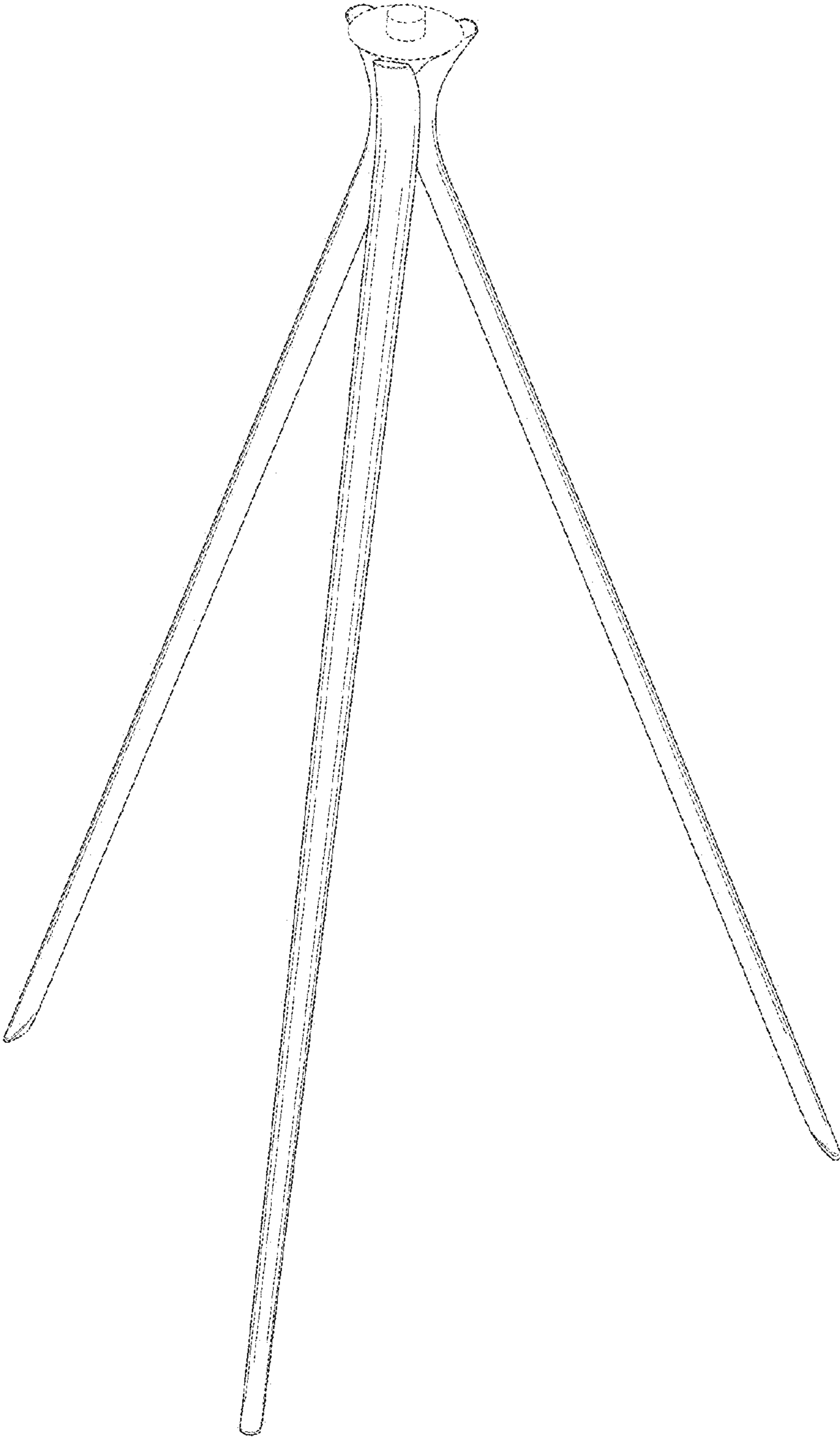


FIG.2

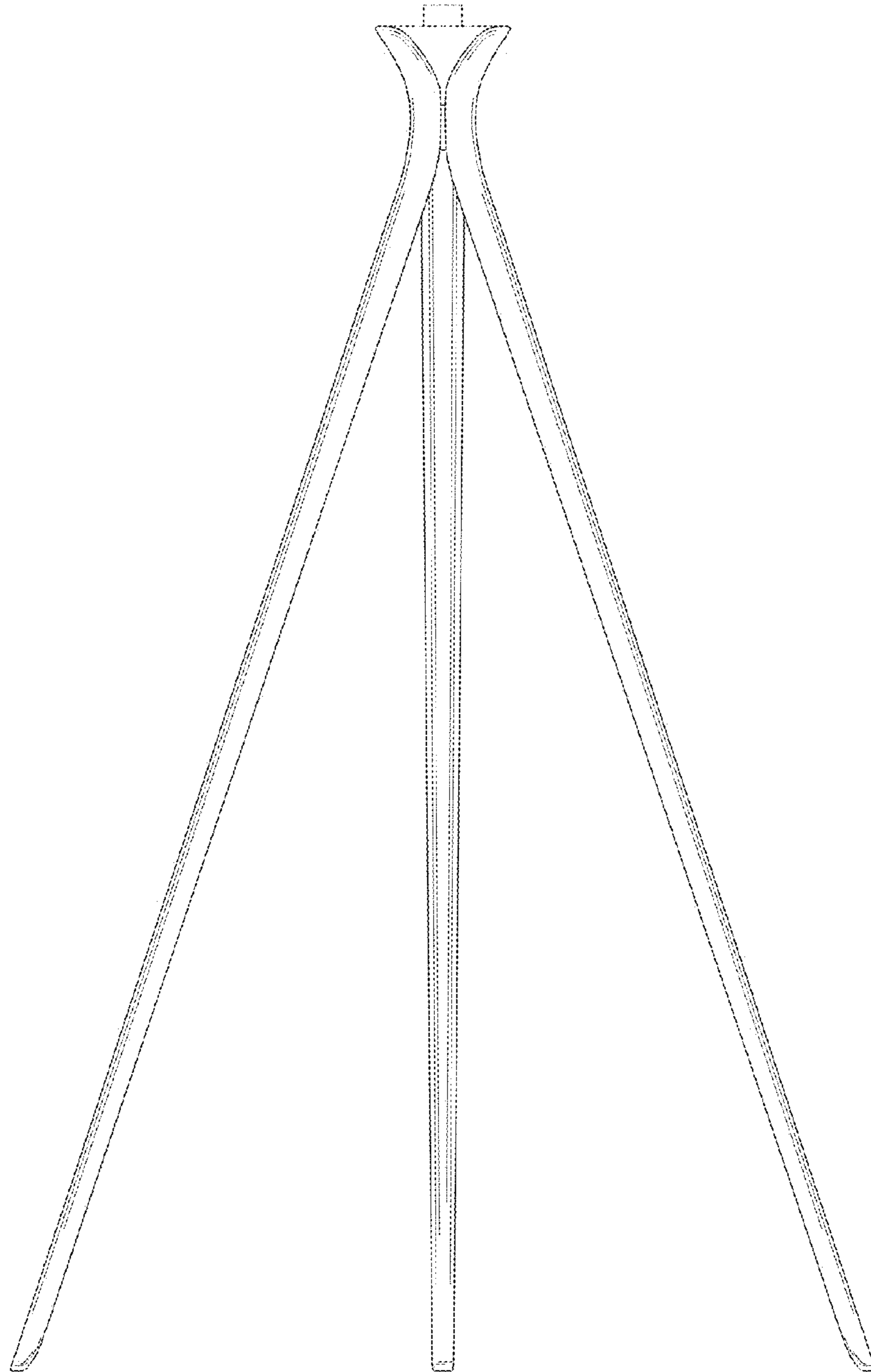


FIG.3

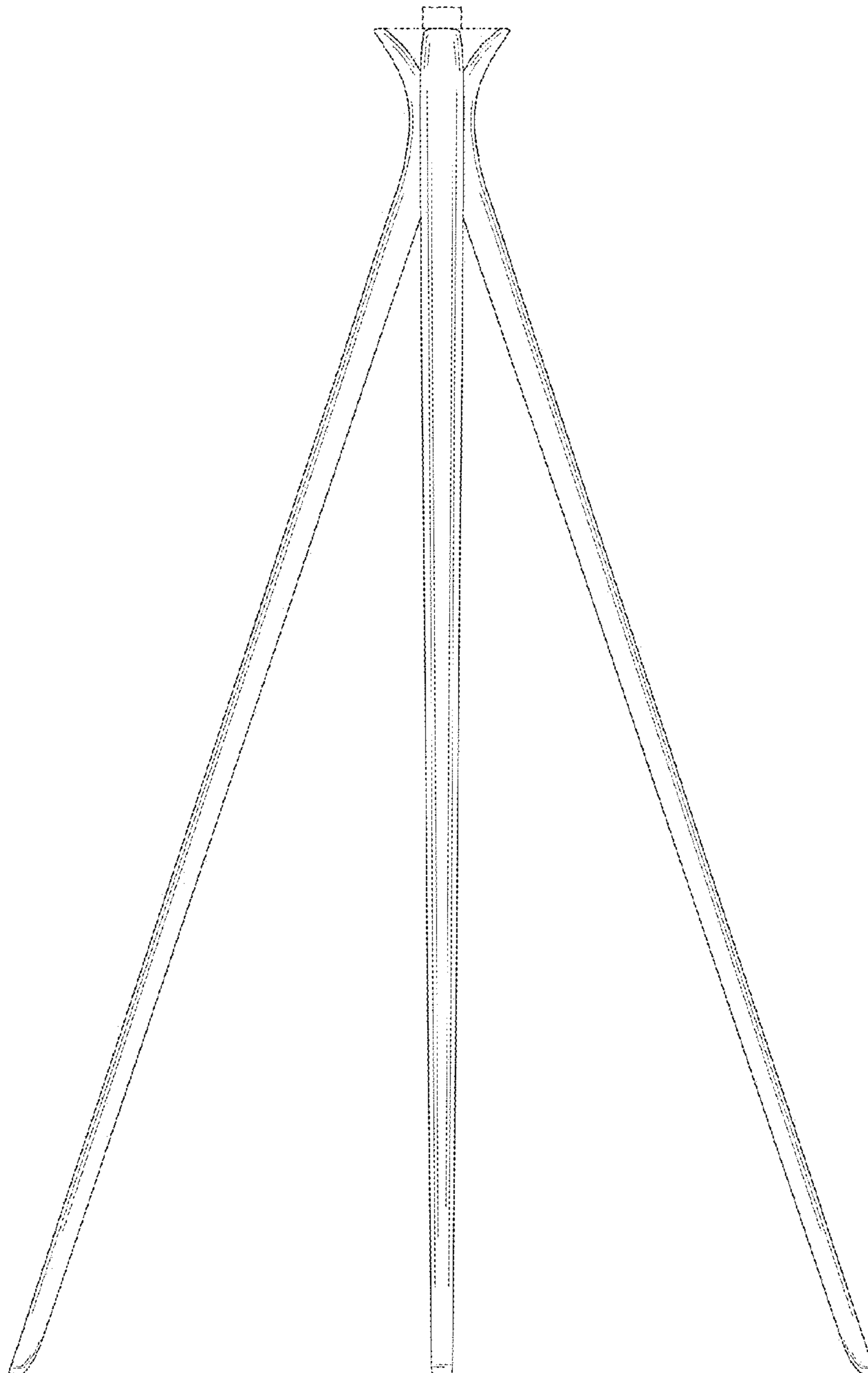


FIG.4

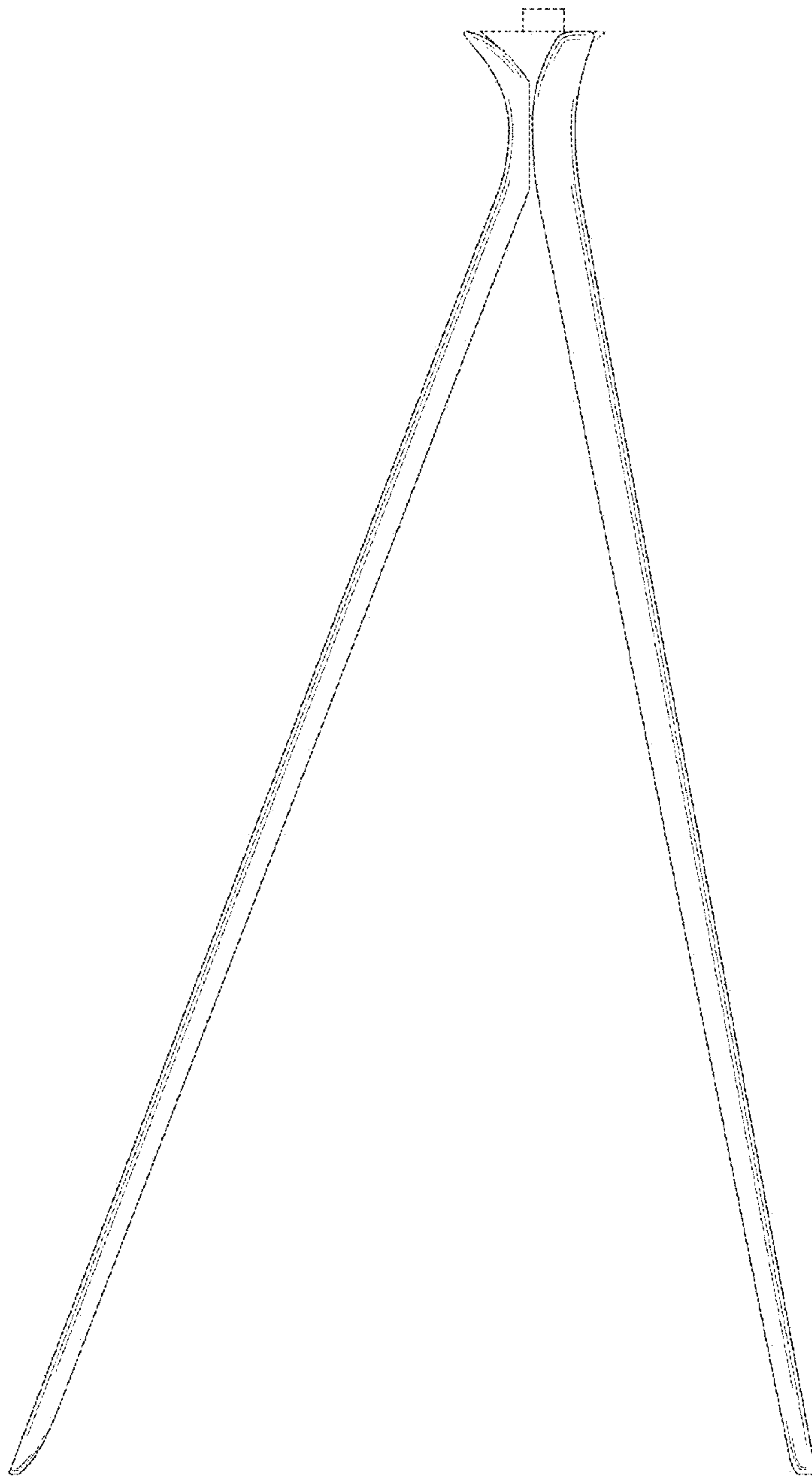


FIG.5



FIG.6

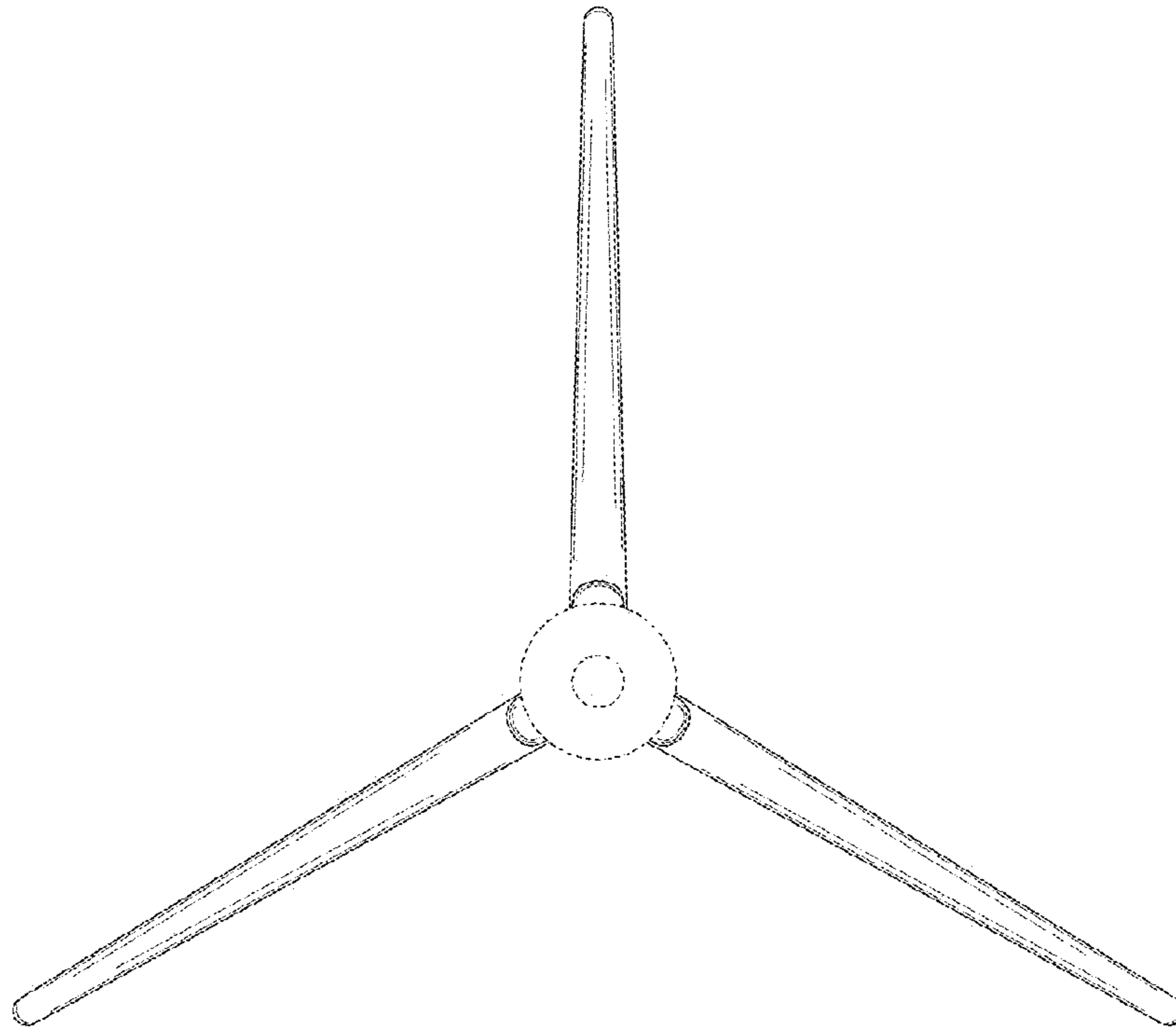


FIG.7

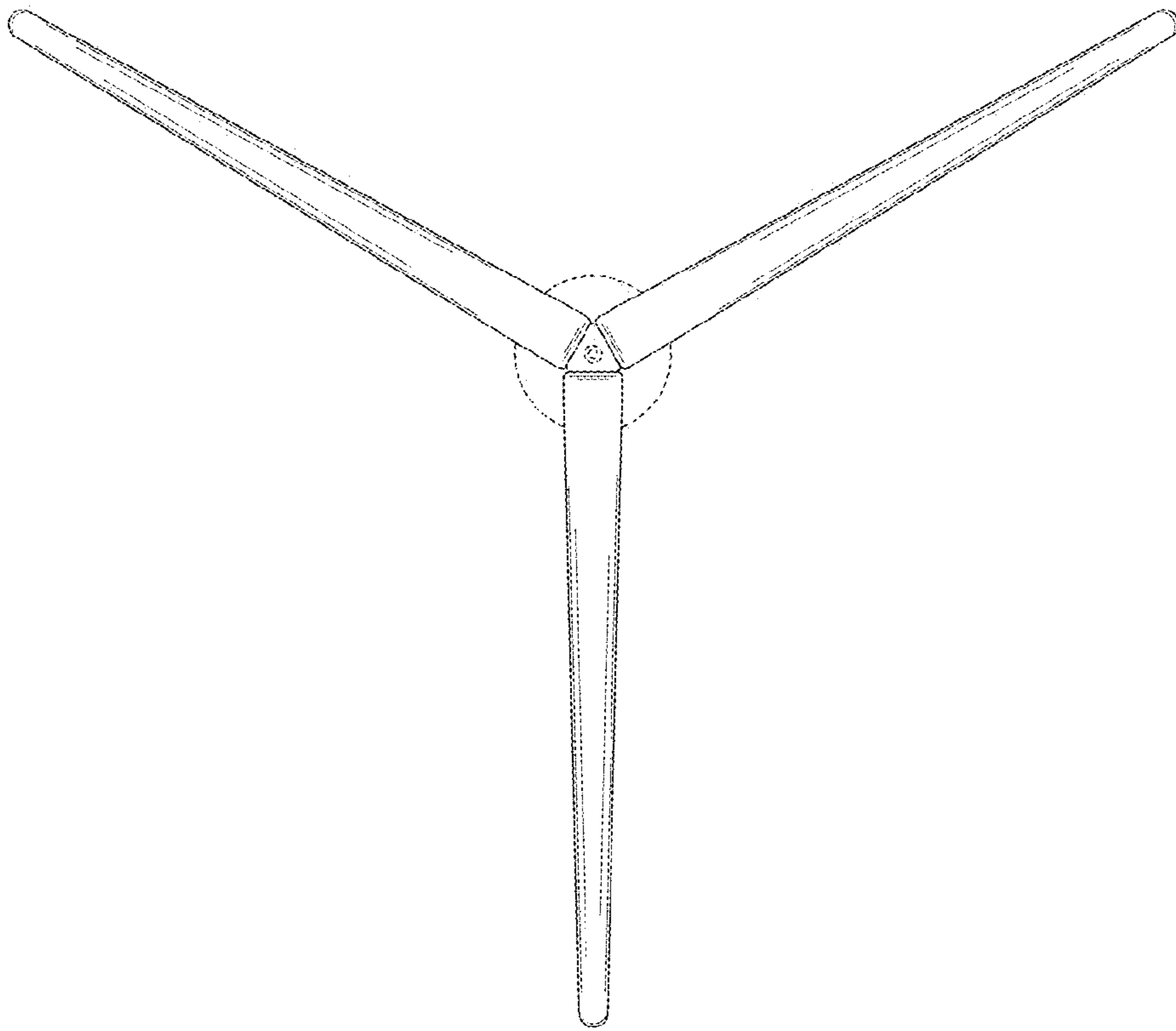


FIG. 8

