



US00D766873S

(12) **United States Design Patent**  
**Washio**

(10) **Patent No.:** **US D766,873 S**

(45) **Date of Patent:** **\*\* Sep. 20, 2016**

(54) **SPEAKER**

(71) Applicant: **YAMAHA CORPORATION**,  
Hamamatsu-shi, Shizuoka (JP)

(72) Inventor: **Kazuya Washio**, Hamamatsu (JP)

(73) Assignee: **YAMAHA CORPORATION**,  
Hamamatsu-shi (JP)

(\*\*) Term: **15 Years**

(21) Appl. No.: **29/528,757**

(22) Filed: **Jun. 1, 2015**

(30) **Foreign Application Priority Data**

Dec. 19, 2014 (JP) ..... 2014-028495

(51) **LOC (10) Cl.** ..... **14-03**

(52) **U.S. Cl.**  
USPC ..... **D14/214**

(58) **Field of Classification Search**

USPC ..... D14/214, 204, 210, 172, 135, 156, 162,  
D14/188, 136, 157, 496, 124, 299, 502, 505,  
D14/506, 368, 125, 353, 257, 211, 225;  
D13/184, 162, 110, 142; 181/144-145,  
181/147-148, 150, 153, 157, 198-199;  
381/300-302, 306, 345, 386-388  
CPC ..... H04R 5/02; H04R 11/02; H04R 25/00;  
H05K 5/00

See application file for complete search history.

(56) **References Cited**

**U.S. PATENT DOCUMENTS**

3,122,215 A \* 2/1964 Sutton ..... H04R 1/2857  
181/160  
3,159,719 A \* 12/1964 Weiss ..... H04R 17/00  
181/158  
4,189,709 A \* 2/1980 Gosswiller ..... F21V 17/104  
34/557  
D261,883 S \* 11/1981 Russell ..... D14/214  
4,334,211 A \* 6/1982 McConnell ..... H04R 1/023  
116/147

D265,822 S \* 8/1982 Hartwein ..... D14/211  
D310,349 S \* 9/1990 Rowen ..... D13/168  
5,802,190 A \* 9/1998 Ferren ..... H04R 1/26  
181/144  
5,818,942 A \* 10/1998 Freadman ..... G06F 1/1605  
181/145  
D432,115 S \* 10/2000 Juskiewicz ..... D14/204  
D451,494 S \* 12/2001 Oikawa ..... D14/211  
D470,126 S \* 2/2003 Ljungberg ..... D14/214  
D472,542 S \* 4/2003 Oikawa ..... D14/172  
D478,891 S \* 8/2003 Hisatsune ..... D14/211  
D508,910 S \* 8/2005 Oikawa ..... D14/214  
D511,339 S \* 11/2005 Tsuge ..... D14/214  
D520,494 S \* 5/2006 Aiba ..... D14/214  
D522,493 S \* 6/2006 Tanaka ..... D14/214  
D532,408 S \* 11/2006 Kita ..... D14/126  
D538,259 S \* 3/2007 Okamura ..... D14/172  
D538,260 S \* 3/2007 Wada ..... D14/188  
D540,310 S \* 4/2007 Yuyama ..... D14/214  
D543,535 S \* 5/2007 Hasegawa ..... D14/214  
D545,811 S \* 7/2007 Yamamoto ..... D14/211

(Continued)

*Primary Examiner* — Paula Greene

(74) *Attorney, Agent, or Firm* — Sughrue Mion, PLLC

(57) **CLAIM**

The ornamental design for a speaker, as shown and described.

**DESCRIPTION**

FIG. 1 is a perspective view of the front, top and right side of a speaker showing my new design;

FIG. 2 is a perspective view of the rear, bottom and left side thereof;

FIG. 3 is a front view thereof;

FIG. 4 is a rear view thereof;

FIG. 5 is a left side view thereof;

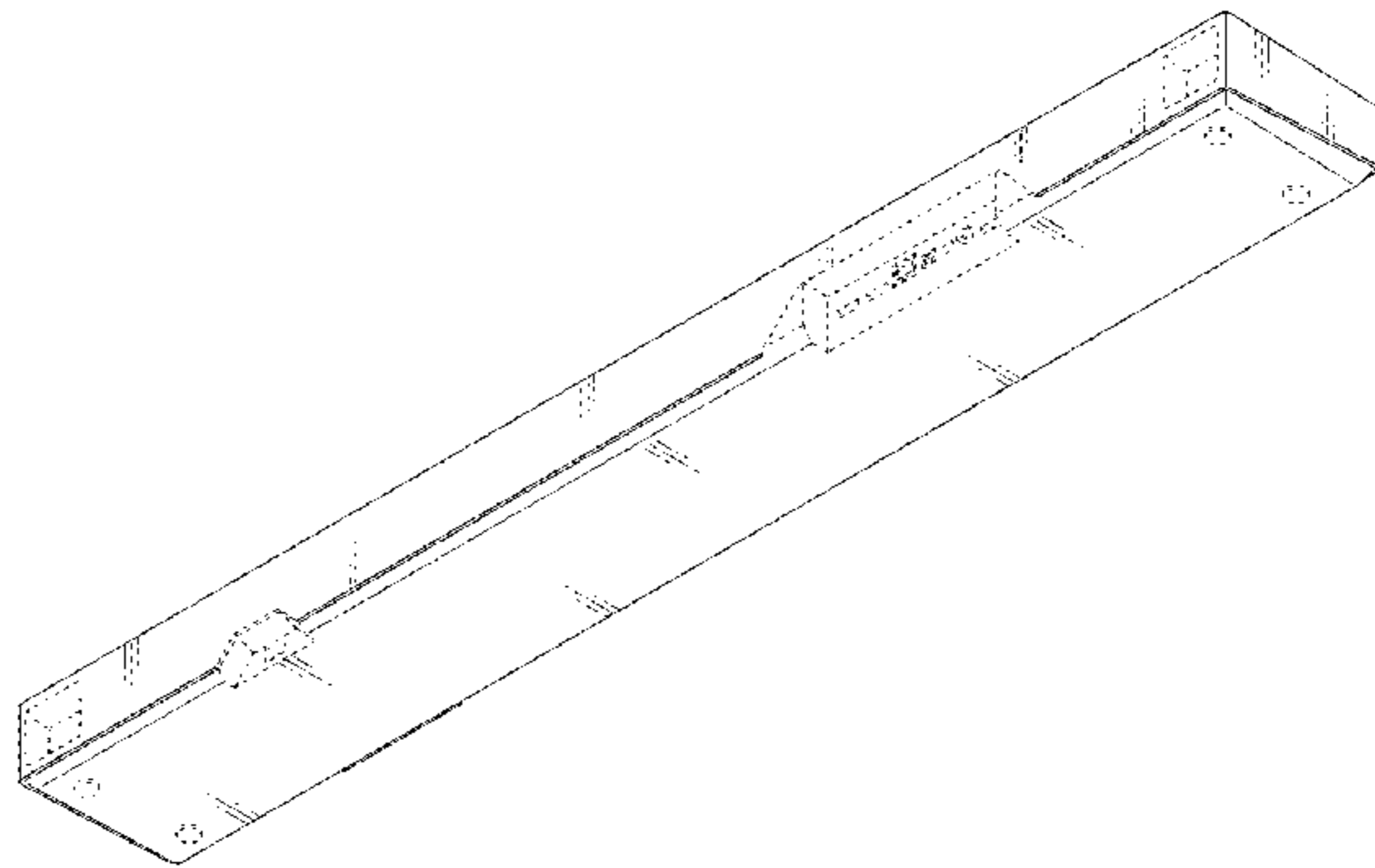
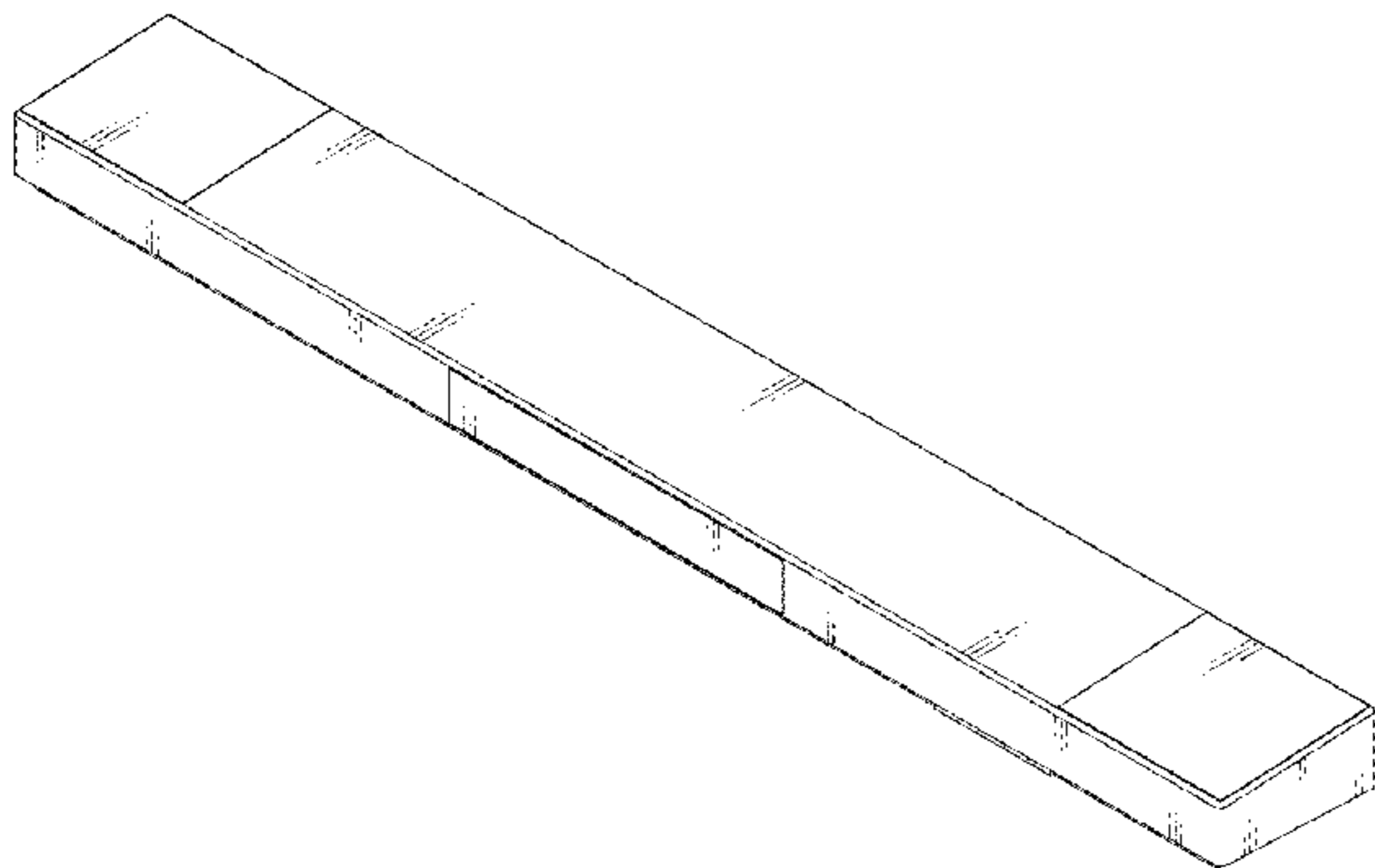
FIG. 6 is a right side view thereof;

FIG. 7 is a top plan view thereof; and,

FIG. 8 is a bottom view thereof.

The broken line showing of the speaker is included for the purpose of illustrating portions of the speaker and forms no part of the claimed design.

**1 Claim, 4 Drawing Sheets**



(56)

References Cited

U.S. PATENT DOCUMENTS

D546,815 S \* 7/2007 Schmieta ..... D14/214  
 D547,748 S \* 7/2007 Tsuge ..... D14/211  
 D558,736 S \* 1/2008 Kita ..... D14/126  
 D569,851 S \* 5/2008 Yonehara ..... D14/225  
 D569,852 S \* 5/2008 Yonehara ..... D14/225  
 D578,997 S \* 10/2008 Takuma ..... D14/172  
 D587,237 S \* 2/2009 Son ..... D14/168  
 D595,735 S \* 7/2009 Green ..... D14/168  
 D606,976 S \* 12/2009 Privett ..... D14/214  
 D629,388 S \* 12/2010 Son ..... D14/214  
 D641,338 S \* 7/2011 Chen ..... D14/209.1  
 D644,625 S \* 9/2011 Iseki ..... D14/206  
 D645,449 S \* 9/2011 Kusuki ..... D14/214  
 D653,239 S \* 1/2012 Kim ..... D14/215  
 D655,690 S \* 3/2012 Yagi ..... D14/214  
 D658,159 S \* 4/2012 Janky ..... D14/214  
 D659,677 S \* 5/2012 Kim ..... D14/214  
 D660,284 S \* 5/2012 Carbone ..... D14/214

D669,883 S \* 10/2012 Cheng ..... D14/214  
 D670,270 S \* 11/2012 Allen ..... D14/214  
 D672,749 S \* 12/2012 Onoue ..... D14/214  
 D681,009 S \* 4/2013 Meng ..... D14/214  
 D688,231 S \* 8/2013 Nishii ..... D14/214  
 D706,748 S \* 6/2014 Hara ..... D14/214  
 D715,257 S \* 10/2014 Son ..... D14/214  
 D715,259 S \* 10/2014 Han ..... D14/214  
 D715,763 S \* 10/2014 Ryu ..... D14/204  
 D715,769 S \* 10/2014 McManigal ..... D14/214  
 D719,931 S \* 12/2014 Wang ..... D14/204  
 D726,153 S \* 4/2015 Chang ..... D14/214  
 D733,094 S \* 6/2015 Lee ..... D14/214  
 D738,853 S \* 9/2015 Savage ..... D14/214  
 D745,488 S \* 12/2015 Lee ..... D14/204  
 D748,073 S \* 1/2016 Woo ..... D14/204  
 D754,629 S \* 4/2016 Kim ..... D14/204  
 D756,968 S \* 5/2016 Huang ..... D14/214  
 2012/0063618 A1 \* 3/2012 Tanaka ..... H04R 3/12  
 381/303

\* cited by examiner

Fig. 1

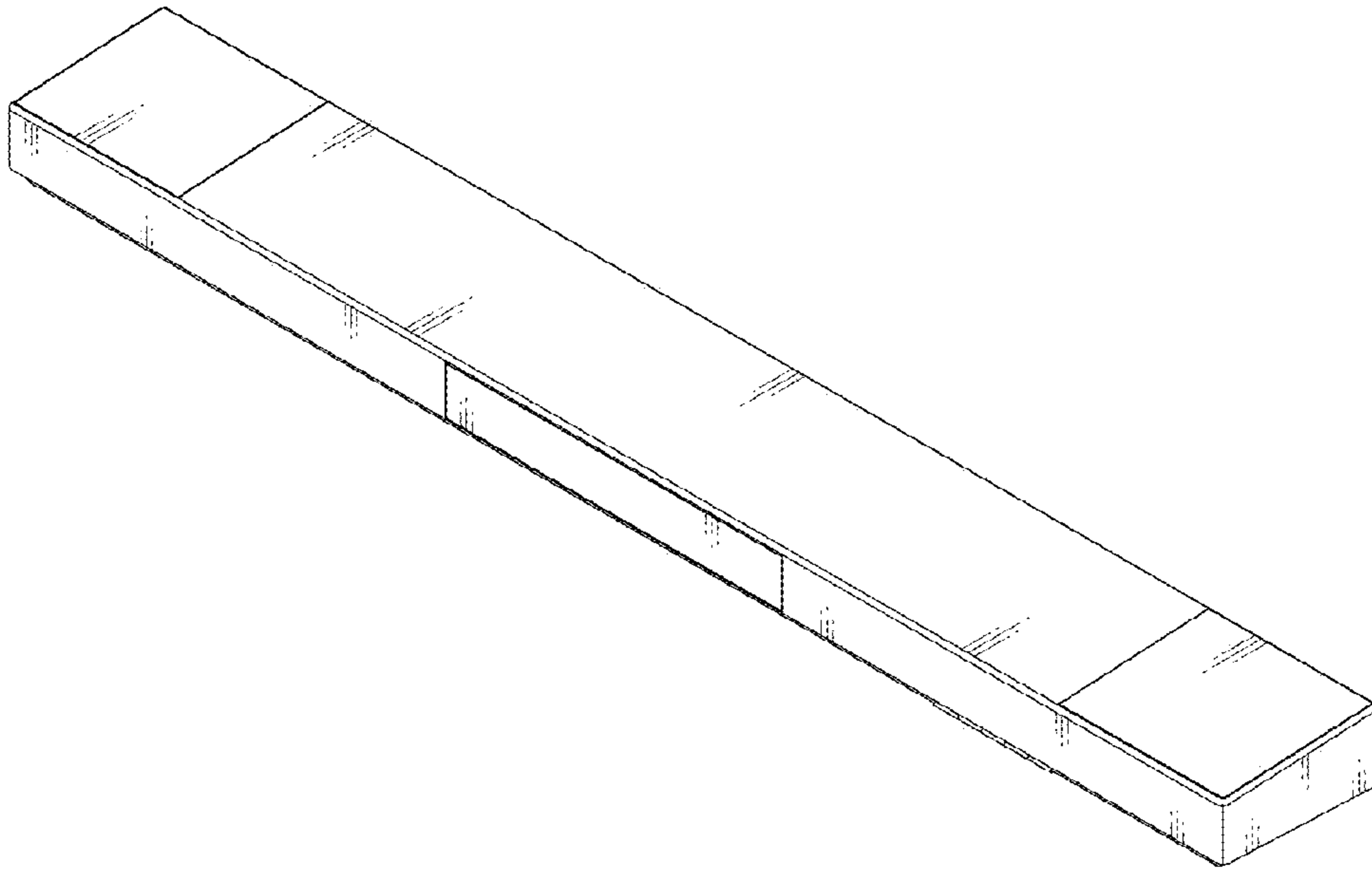


Fig. 2

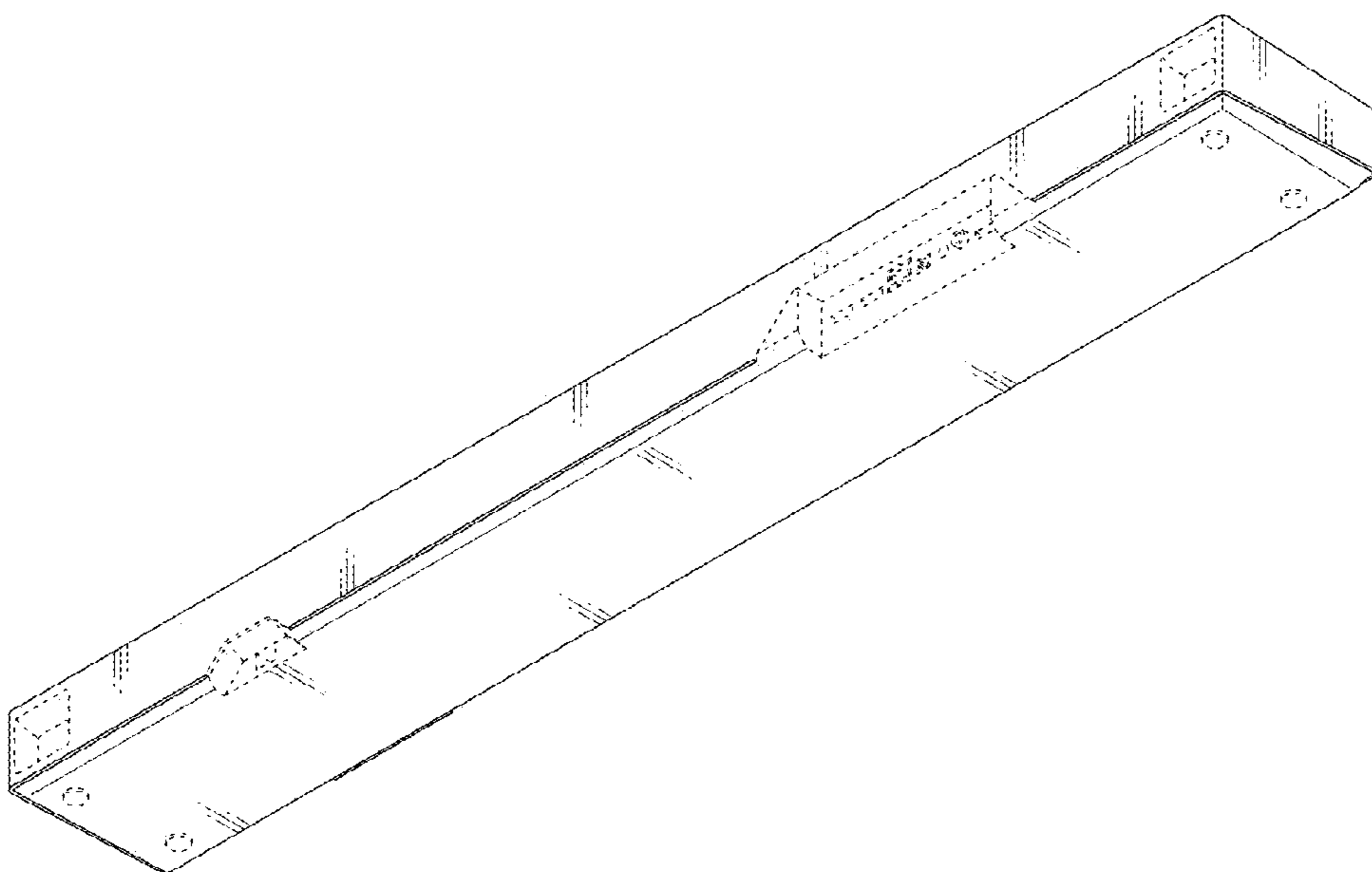


Fig. 3

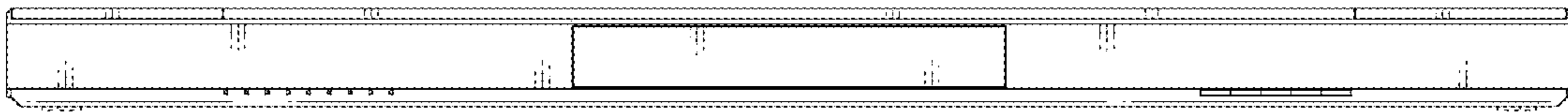


Fig. 4



Fig. 5

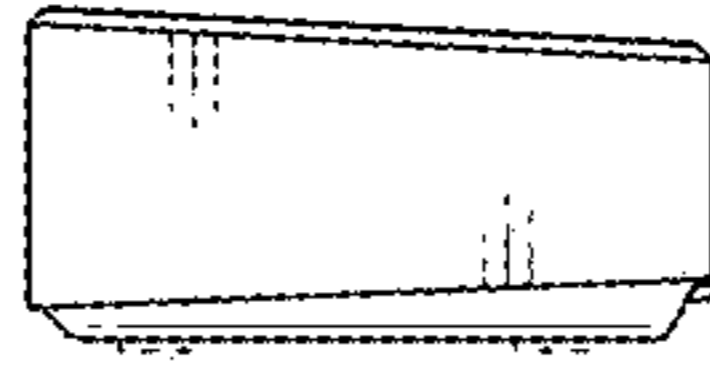


Fig. 6

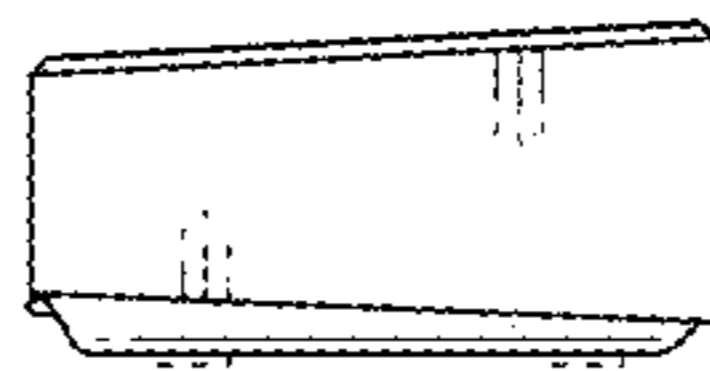


Fig. 7

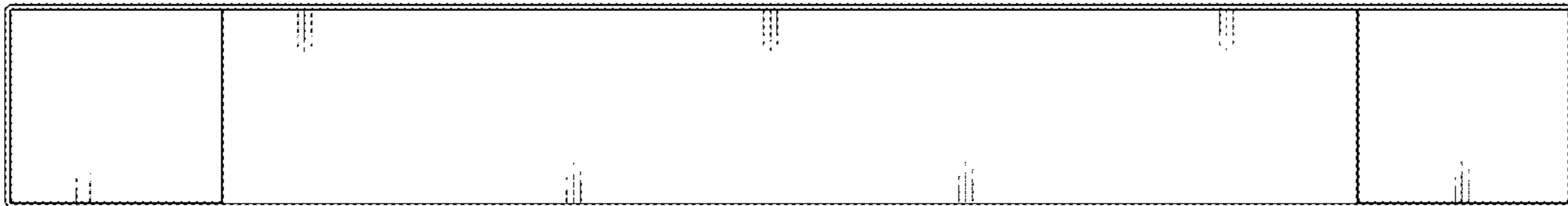


Fig. 8

