



US00D766871S

(12) **United States Design Patent**  
**Winters et al.**

(10) **Patent No.:** **US D766,871 S**  
(45) **Date of Patent:** **\*\* Sep. 20, 2016**

- (54) **HELMET MOUNTED HEADSET**
- (71) Applicant: **Artisent, LLC**, Simpson, PA (US)
- (72) Inventors: **Nathan E. Winters**, Merrimack, NH (US); **Michael D. Aaskov**, Ketchum, ID (US); **Jason W. O'Connell**, Whitman, MA (US); **David C. Rogers**, Boston, MA (US)
- (73) Assignee: **ARTISENT, LLC**, Simpson, PA (US)
- (\*\*) Term: **15 Years**
- (21) Appl. No.: **29/532,533**
- (22) Filed: **Jul. 8, 2015**

**Related U.S. Application Data**

- (63) Continuation of application No. 29/479,333, filed on Jan. 14, 2014, now Pat. No. Des. 736,177.
- (51) **LOC (10) Cl.** ..... **14-01**
- (52) **U.S. Cl.**  
USPC ..... **D14/206; D14/192**
- (58) **Field of Classification Search**  
USPC ..... D14/188, 192, 205-206, 223;  
181/128-129; 379/430-431; 381/370;  
455/90.3, 575.1, 575.6, 575.7  
CPC ..... H04M 1/05  
See application file for complete search history.

**References Cited**

**U.S. PATENT DOCUMENTS**

- D456,384 S 4/2002 Ng
- D468,728 S \* 1/2003 Rath ..... D14/206
- D498,743 S 11/2004 Robinson
- D504,883 S 5/2005 Jacobson et al.
- 6,898,448 B2 5/2005 Liao
- 6,904,147 B2 6/2005 Lenz et al.
- 6,922,473 B2 7/2005 Turnbull
- D512,410 S 12/2005 Ng

- 7,242,765 B2 7/2007 Hairston
- D549,216 S \* 8/2007 Viduya ..... D14/206
- D549,217 S \* 8/2007 Viduya ..... D14/206
- D597,072 S 7/2009 Asai
- D612,835 S 3/2010 Yang et al.
- D613,267 S \* 4/2010 Suwalski ..... D14/206

(Continued)

**OTHER PUBLICATIONS**

Ops-Core 2012 Product Catalog; www.ops-core.com; Boston, MA, US; 44 pages; disclosed on or before Dec. 31, 2012.

(Continued)

*Primary Examiner* — Sandra Morris

(74) *Attorney, Agent, or Firm* — Morgan, Lewis & Bockius LLP

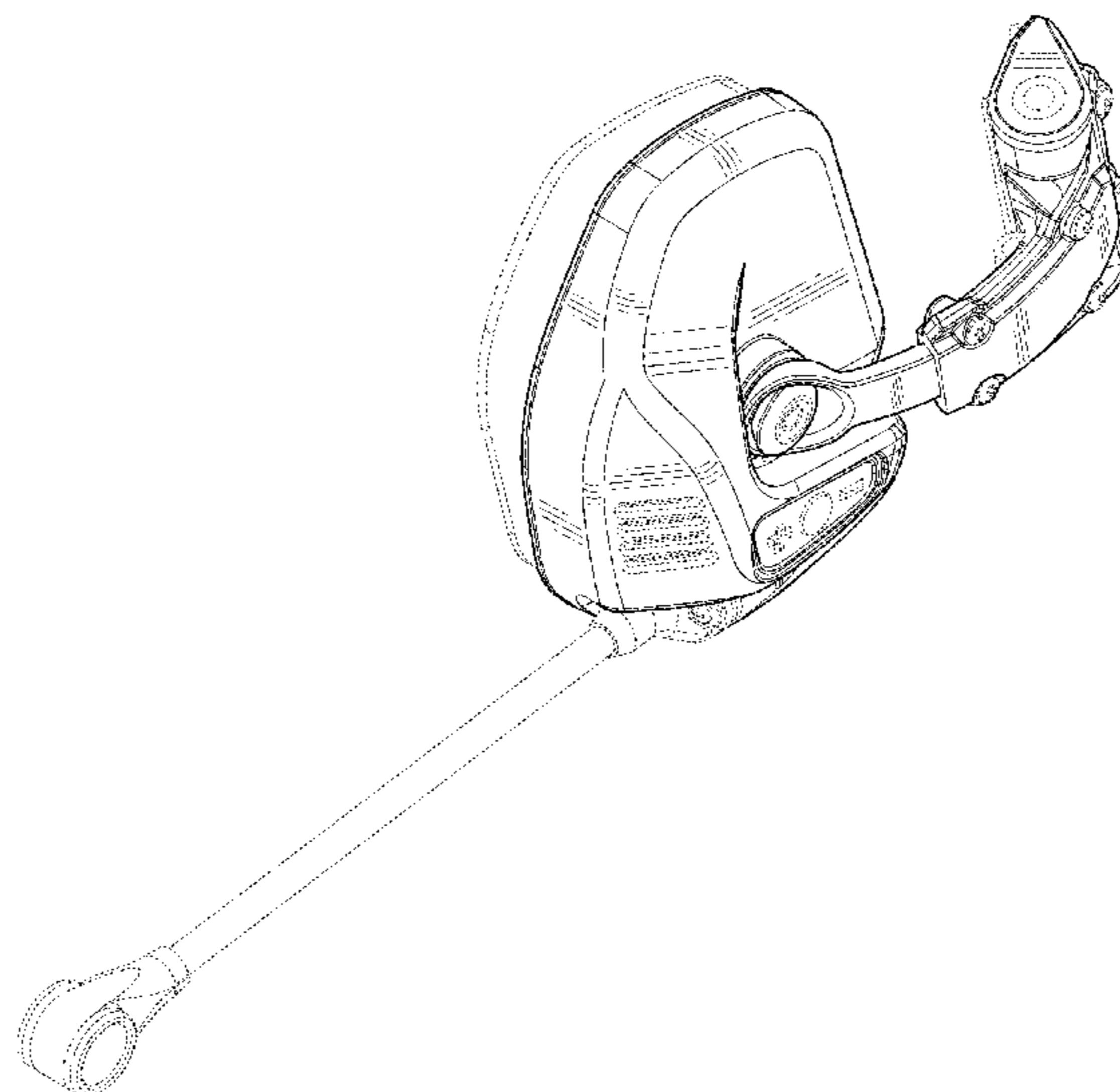
(57) **CLAIM**

The ornamental design for a helmet mounted headset, as shown and described.

**DESCRIPTION**

FIG. 1 is a front perspective view of a helmet mounted headset showing our new design;  
 FIG. 2 is a left-side elevational view of the helmet mounted headset shown in FIG. 1;  
 FIG. 3 is a right-side elevational view of the helmet mounted headset shown in FIG. 1;  
 FIG. 4 is a front elevational view of the helmet mounted headset shown in FIG. 1;  
 FIG. 5 is a rear elevational view of the helmet mounted headset shown in FIG. 1;  
 FIG. 6 is a bottom plan view of the helmet mounted headset shown in FIG. 1; and,  
 FIG. 7 is a top plan view of the helmet mounted headset shown in FIG. 1.  
 The broken lines shown in the drawings represent portions of the helmet mounted headset that form no part of the claimed design.

**1 Claim, 7 Drawing Sheets**



(56)

**References Cited**

U.S. PATENT DOCUMENTS

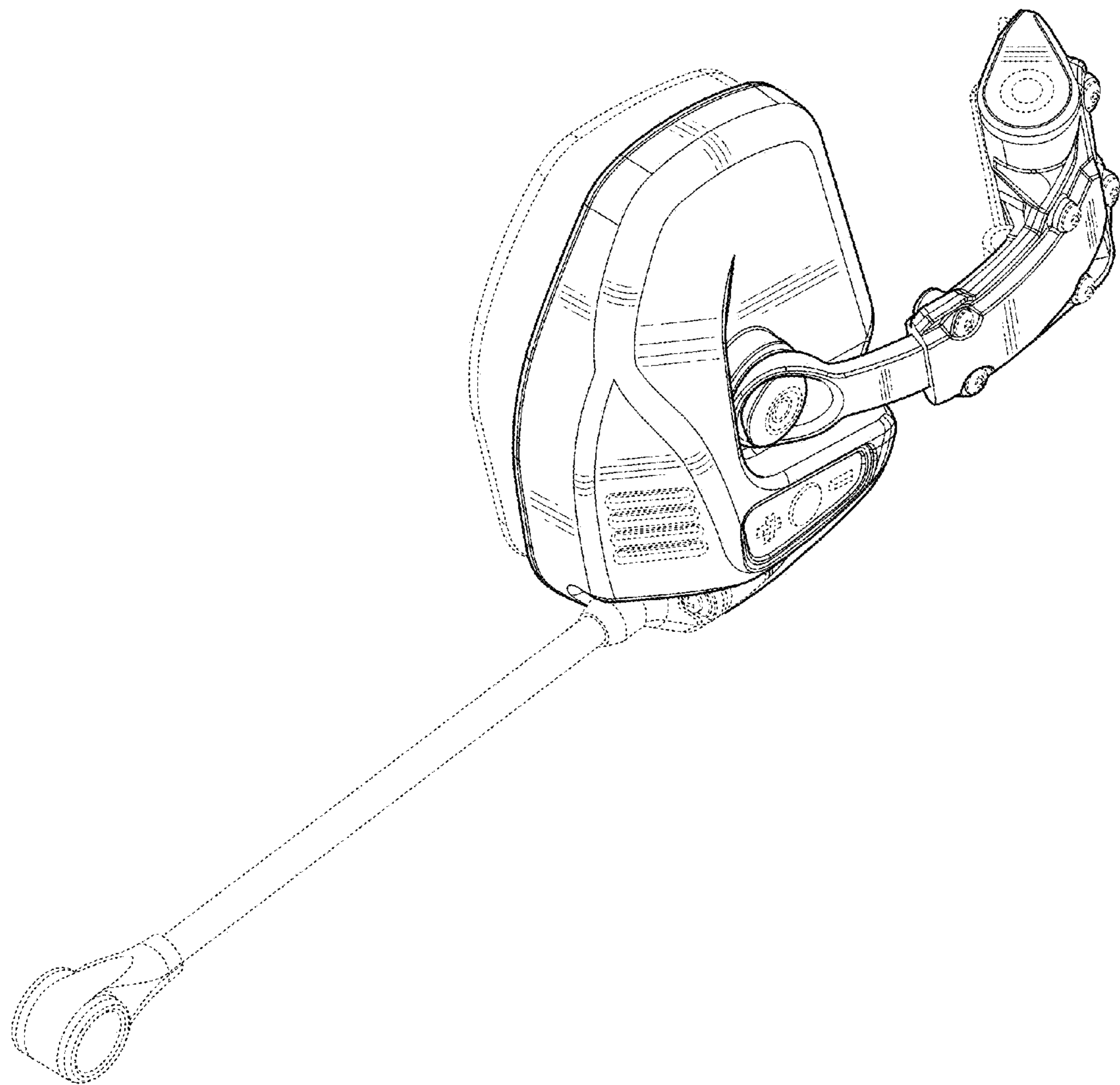
D635,962 S 4/2011 Kelley  
D659,118 S 5/2012 Watters et al.  
D666,169 S \* 8/2012 Tucker ..... D14/206  
D667,815 S 9/2012 Chiu et al.  
D672,746 S 12/2012 Birger  
D684,145 S 6/2013 Rath  
D691,113 S 10/2013 Gougherty et al.  
D706,243 S \* 6/2014 Brandis ..... D14/206  
D712,874 S \* 9/2014 Gauger, Jr. .... D14/206  
D712,875 S \* 9/2014 Katori ..... D14/206

D717,767 S \* 11/2014 Mistry ..... D14/206  
D733,677 S \* 7/2015 Ling ..... D14/206  
2011/0314594 A1 12/2011 Rogers et al.

OTHER PUBLICATIONS

Ops-Core 2013 Product Catalog; www.ops-core.com; Boston, MA, US; 44 pages; first disclosed on Jan. 14, 2013.  
Hi-Threat Tactical Headset catalog, copyright 2013. Page 3, Under helmet Hi-Threat w/ ops-core helmet. Teaheadsets.com.  
Mohawk boltless helmet headset, dated Oct. 15, 2012. www.gearscout.militarytimes.com/2012/10/15/mohawk-boltless-helmet-get-a-built-in-headset/.

\* cited by examiner



**FIG. 1**

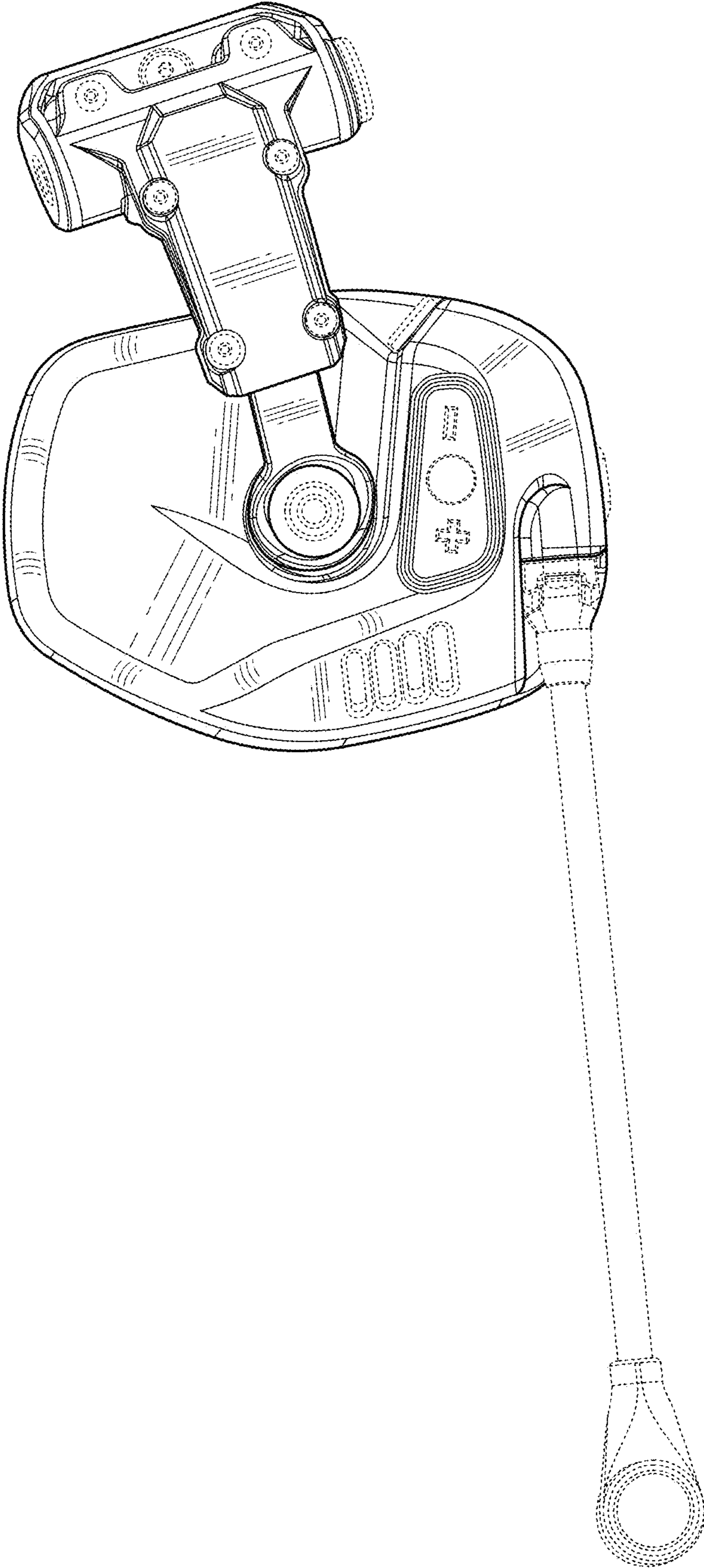


FIG. 2



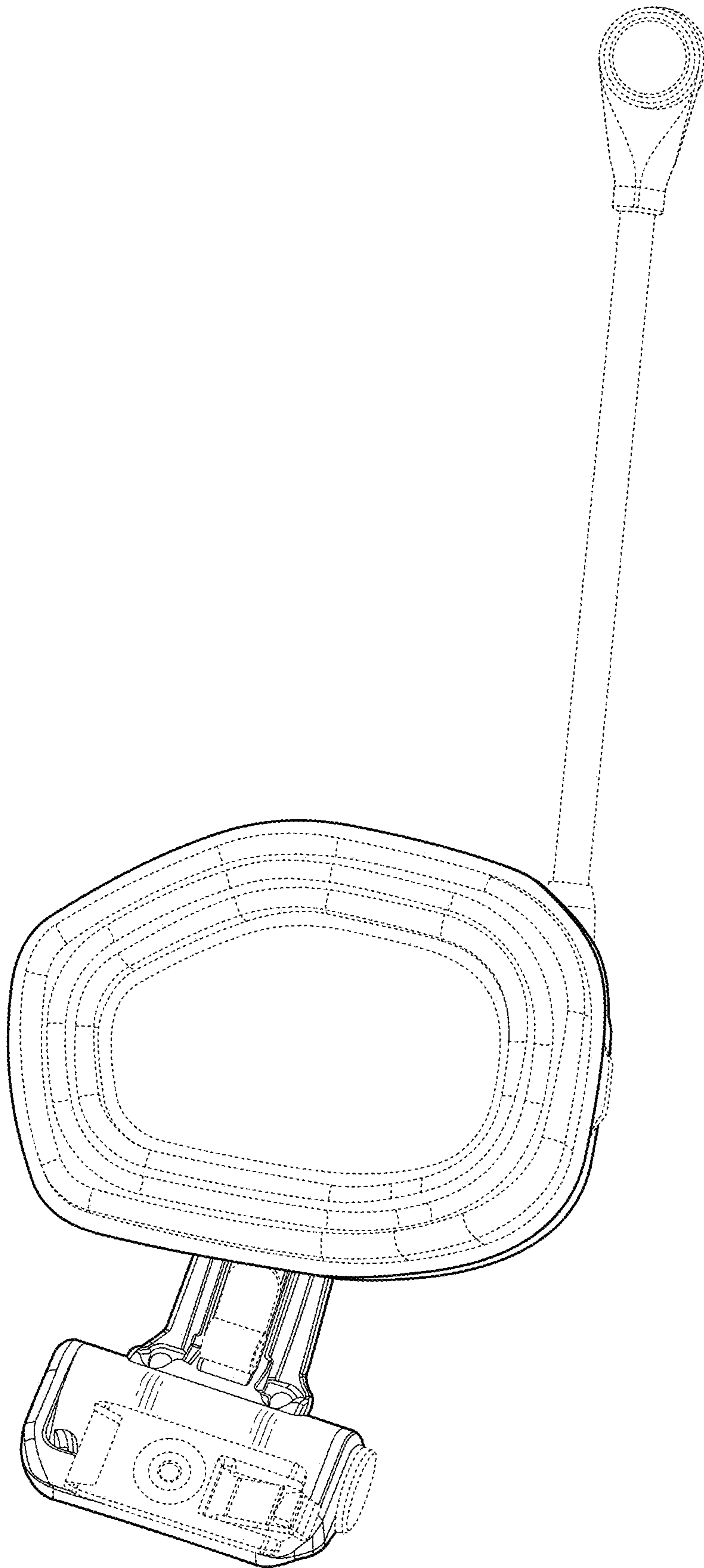
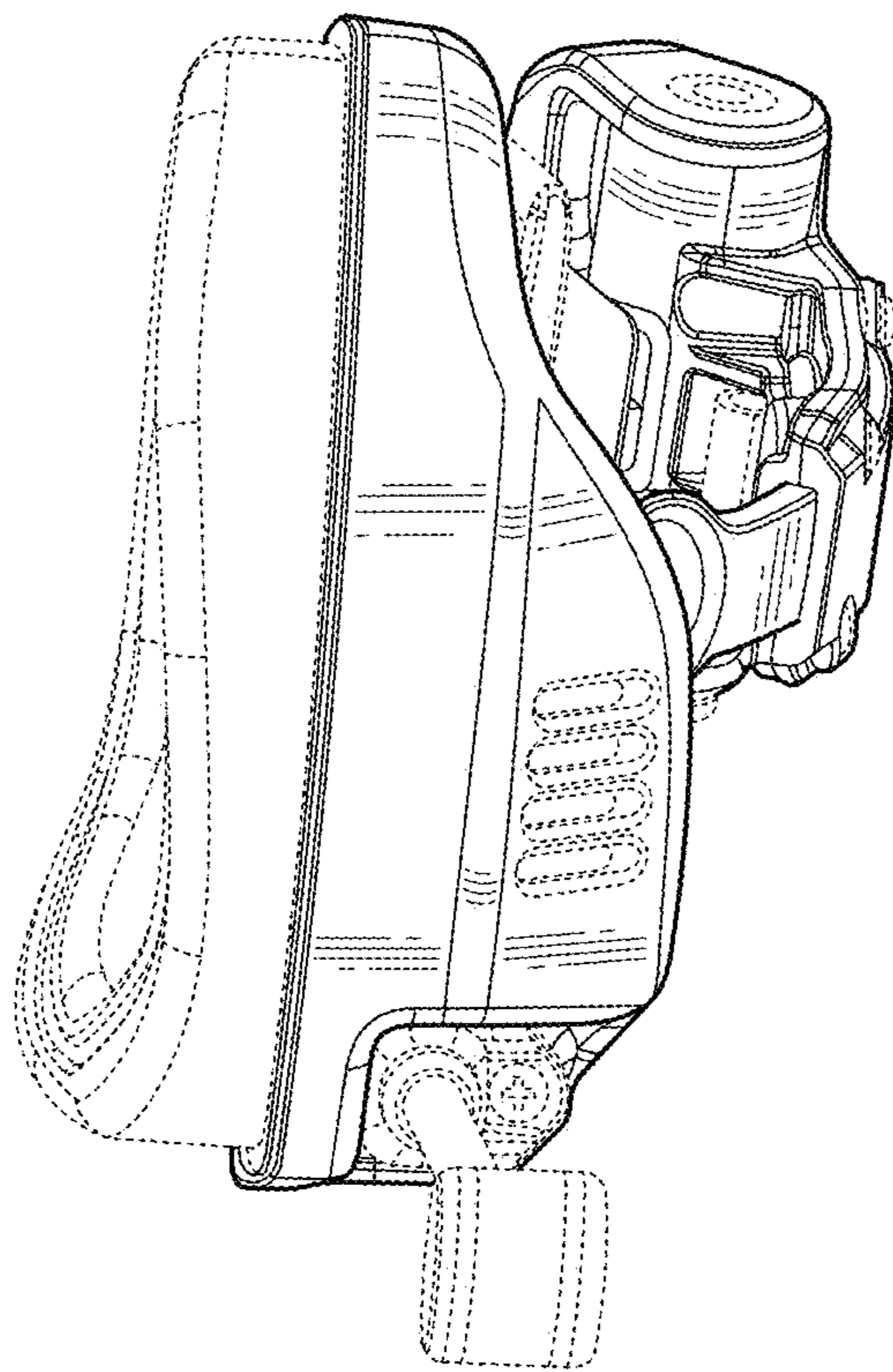
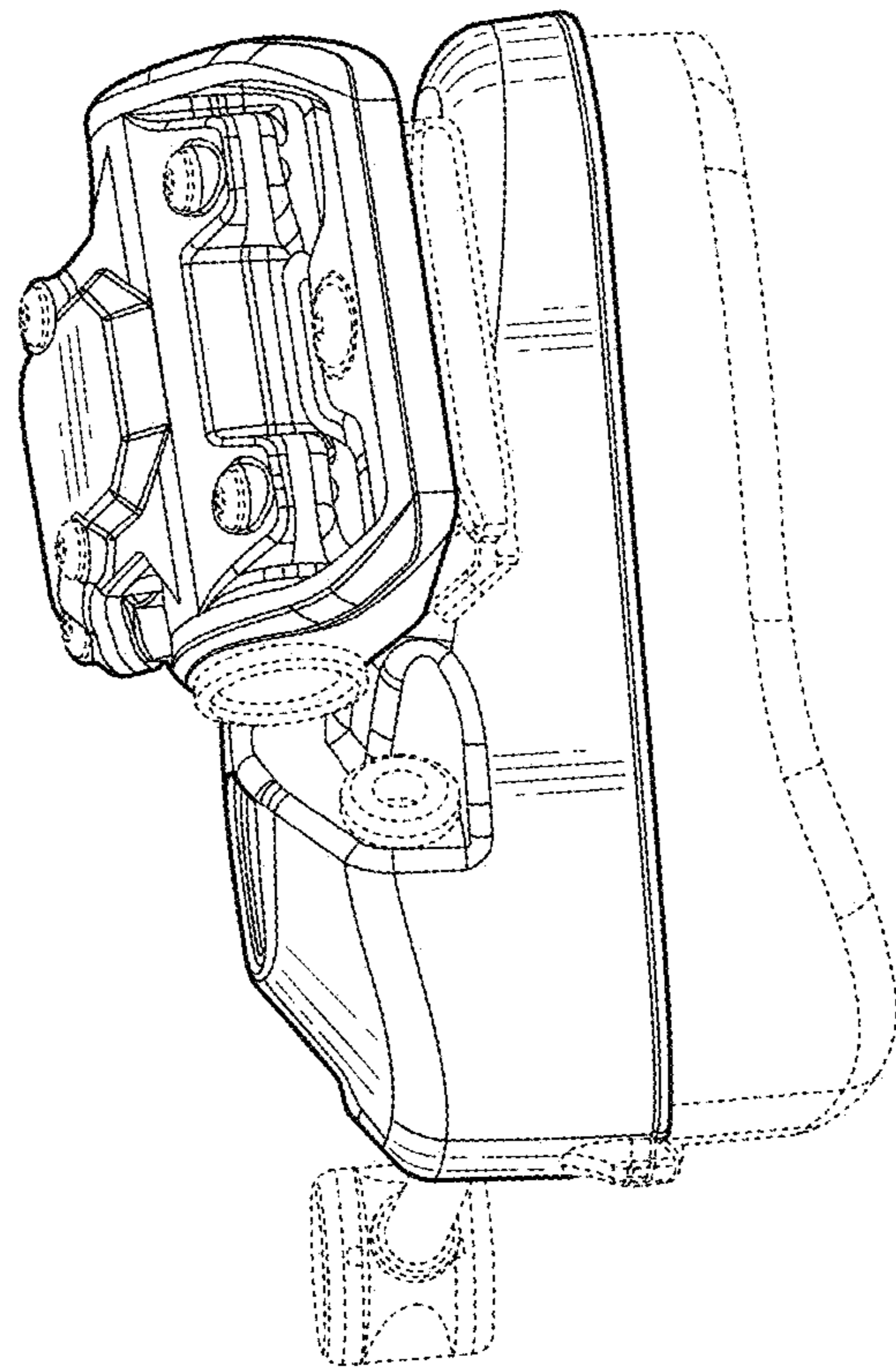


FIG. 3



**FIG. 4**



**FIG. 5**

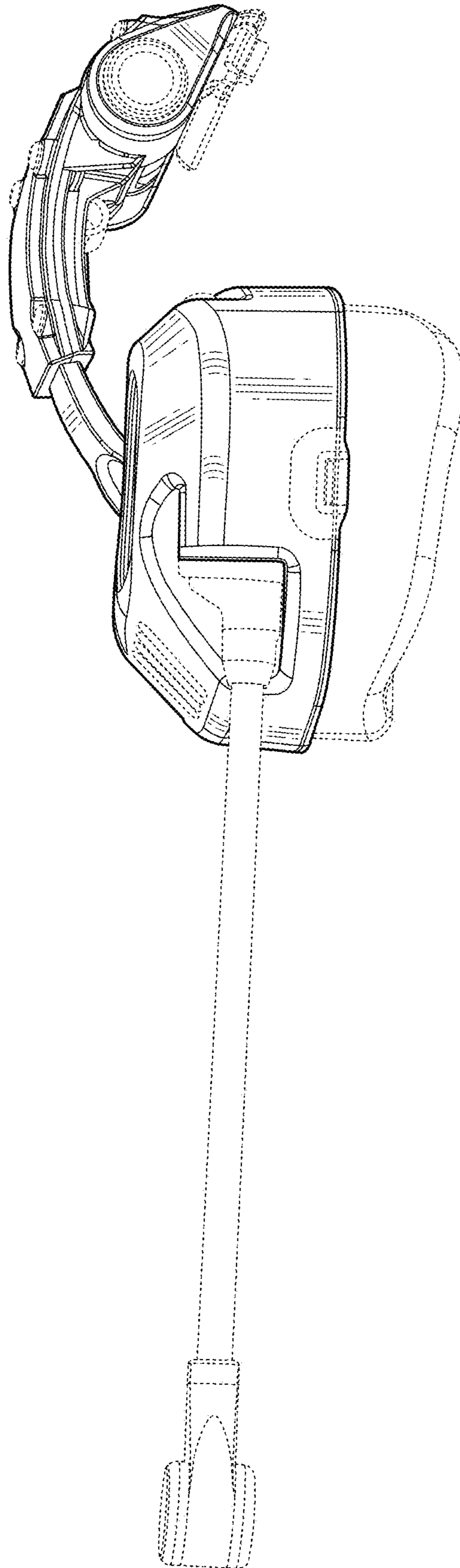


FIG. 6



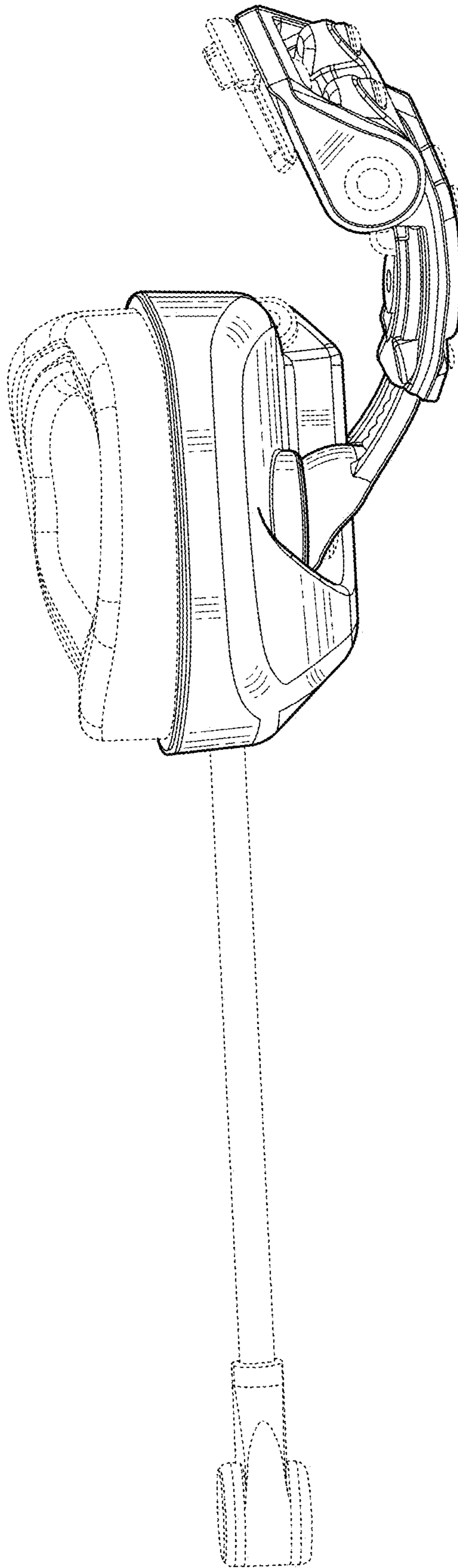


FIG. 7