



US00D766870S

(12) **United States Design Patent** (10) **Patent No.:** **US D766,870 S**  
**Catalano et al.** (45) **Date of Patent:** **\*\* Sep. 20, 2016**

(54) **AUDIO LISTENING SYSTEM**  
(71) Applicant: **Hifiman Electronics Corporation**,  
Newark, DE (US)  
(72) Inventors: **Carol Catalano**, Boston, MA (US);  
**Peter Castellucci**, Boston, MA (US)  
(73) Assignee: **Hifiman Electronics Corporation**,  
Newark, DE (US)  
(\*\*) Term: **15 Years**  
(21) Appl. No.: **29/531,589**  
(22) Filed: **Jun. 26, 2015**  
(51) **LOC (10) Cl.** ..... **14-01**  
(52) **U.S. Cl.**  
USPC ..... **D14/205; D14/216**  
(58) **Field of Classification Search**  
USPC ..... D14/205, 204, 209, 209.1, 214, 216,  
D14/172, 203.1, 203.2, 496, 155, 219;  
D29/112; 2/209; D23/370, 380, 390,  
D23/260, 317, 335, 364; 181/129, 130, 135,  
181/143, 144, 147, 148, 150, 153, 159, 198,  
181/199; 379/430, 431; 381/380, 381, 370,  
381/371, 379, 345, 328, 355, 180, 356,  
381/300–303, 306, 332, 333, 336, 361–364,  
381/385–386; 455/90.3, 575.1  
CPC ..... H04R 25/00; H04R 1/10; H04R 1/1066;  
H04R 1/02  
See application file for complete search history.

(56) **References Cited**  
U.S. PATENT DOCUMENTS  
D149,132 S \* 3/1948 Kende ..... 312/7.1  
D175,440 S \* 8/1955 Palo ..... D14/225  
D195,956 S \* 8/1963 Spillman ..... D14/225  
D246,519 S \* 11/1977 Kato ..... D14/205  
4,199,721 A \* 4/1980 Ono ..... H04B 1/3822  
381/356  
D264,335 S \* 5/1982 Huntington ..... D14/225  
D279,183 S \* 6/1985 Yoshikawa ..... D14/215

D302,429 S \* 7/1989 Leer ..... D14/137  
D307,907 S \* 5/1990 Siddoway ..... D14/225  
D317,159 S \* 5/1991 Kurata ..... D14/216  
D327,072 S \* 6/1992 Christie ..... D14/188  
D345,163 S \* 3/1994 Yamatogi ..... D14/205  
D345,981 S \* 4/1994 Burke ..... D14/206  
D346,804 S \* 5/1994 Tokiyama ..... D14/225  
D357,477 S \* 4/1995 Mueller ..... D14/206  
D376,598 S \* 12/1996 Hayashi ..... D14/205  
D400,206 S \* 10/1998 Mahgerefteh ..... D14/188  
D422,206 S \* 4/2000 Clark ..... D14/219  
6,081,604 A \* 6/2000 Hikichi ..... H04R 1/083  
381/124  
D432,522 S \* 10/2000 KIELTYKA ..... D14/214  
D440,557 S \* 4/2001 Su ..... D14/215  
D440,559 S \* 4/2001 Ballard ..... D14/219  
6,474,585 B2 \* 11/2002 Liao ..... B65H 75/04  
191/12.2 R  
D567,215 S \* 4/2008 Lee ..... D14/205  
7,388,960 B2 \* 6/2008 Kuo ..... H04R 1/1041  
379/430  
D603,370 S \* 11/2009 Suzuki ..... D14/205  
D610,125 S \* 2/2010 Ichikawa ..... D14/188  
7,853,034 B1 \* 12/2010 Gresko ..... H04R 1/1058  
381/370

(Continued)

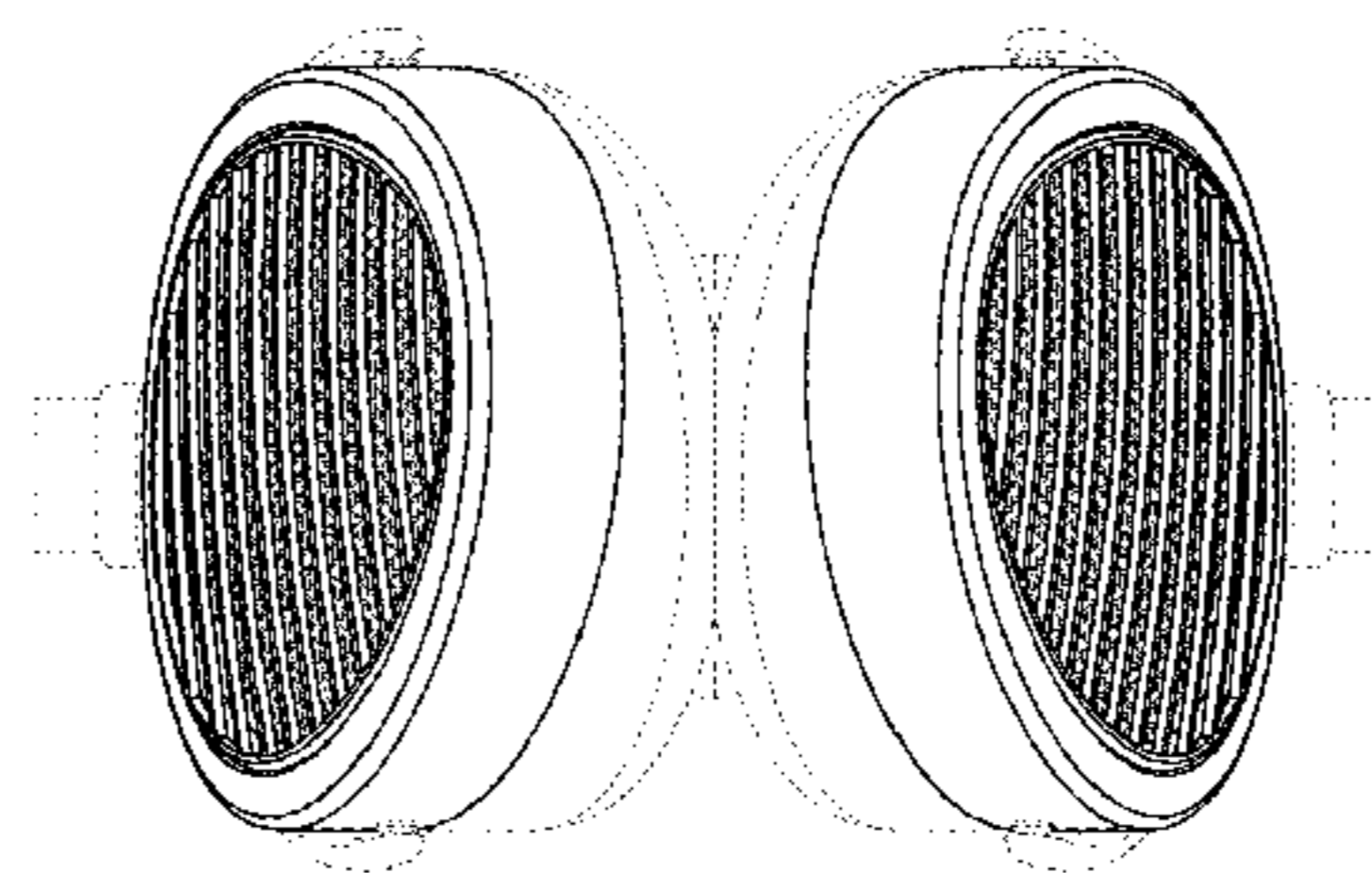
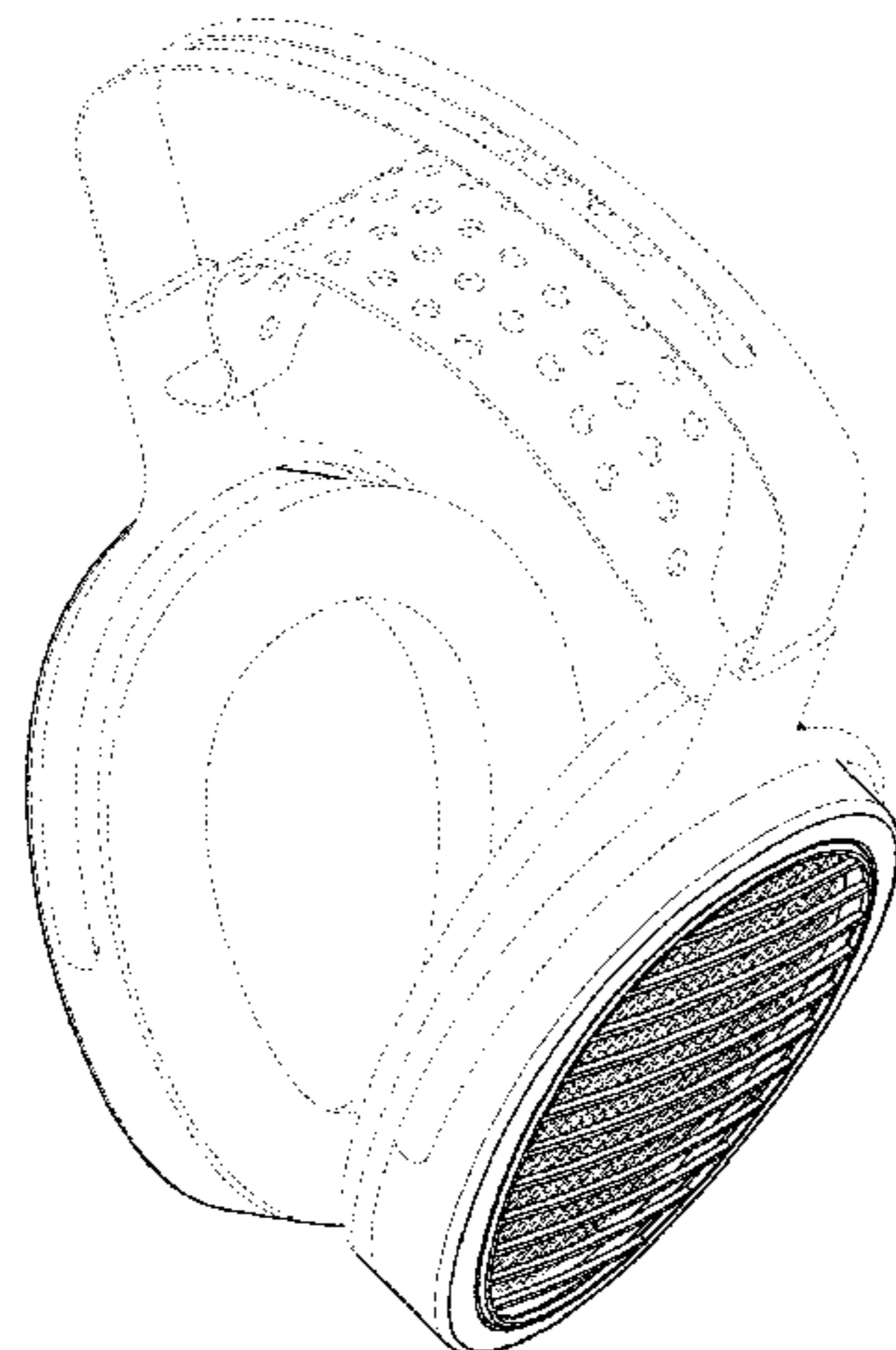
*Primary Examiner* — Paula Greene  
(74) *Attorney, Agent, or Firm* — Baker & Hostetler LLP

(57) **CLAIM**  
We claim the ornamental design for an audio listening system, as shown and described.

**DESCRIPTION**

FIG. 1 is a front perspective view of an audio listening system;  
FIG. 2 is a front view thereof;  
FIG. 3 is a rear view thereof;  
FIG. 4 is a top view thereof;  
FIG. 5 is a bottom view thereof  
FIG. 6 is a left side view thereof; and,  
FIG. 7 is a right side view thereof.  
The broken lines in the figures show portions of the audio listening system that form no part of the claimed design.

**1 Claim, 4 Drawing Sheets**



(56)

**References Cited**

U.S. PATENT DOCUMENTS

|                |         |          |       |           |         |  |  |  |  |
|----------------|---------|----------|-------|-----------|---------|--|--|--|--|
| 7,869,615 B2 * | 1/2011  | Chang    | ..... | H04R 1/10 |         |  |  |  |  |
|                |         |          |       | 381/371   |         |  |  |  |  |
| D650,356 S *   | 12/2011 | Alden    | ..... |           | D14/205 |  |  |  |  |
| D652,021 S *   | 1/2012  | Miyawaki | ..... |           | D14/216 |  |  |  |  |
| D652,022 S *   | 1/2012  | Miyawaki | ..... |           | D14/216 |  |  |  |  |
| D665,776 S *   | 8/2012  | Alden    | ..... |           | D14/205 |  |  |  |  |
| D707,654 S *   | 6/2014  | Nguyen   | ..... |           | D14/205 |  |  |  |  |
| D728,512 S *   | 5/2015  | Nakagawa | ..... |           | D14/205 |  |  |  |  |
| D736,174 S *   | 8/2015  | Levine   | ..... |           | D14/205 |  |  |  |  |
| D757,678 S *   | 5/2016  | Kelly    | ..... |           | D14/204 |  |  |  |  |

\* cited by examiner

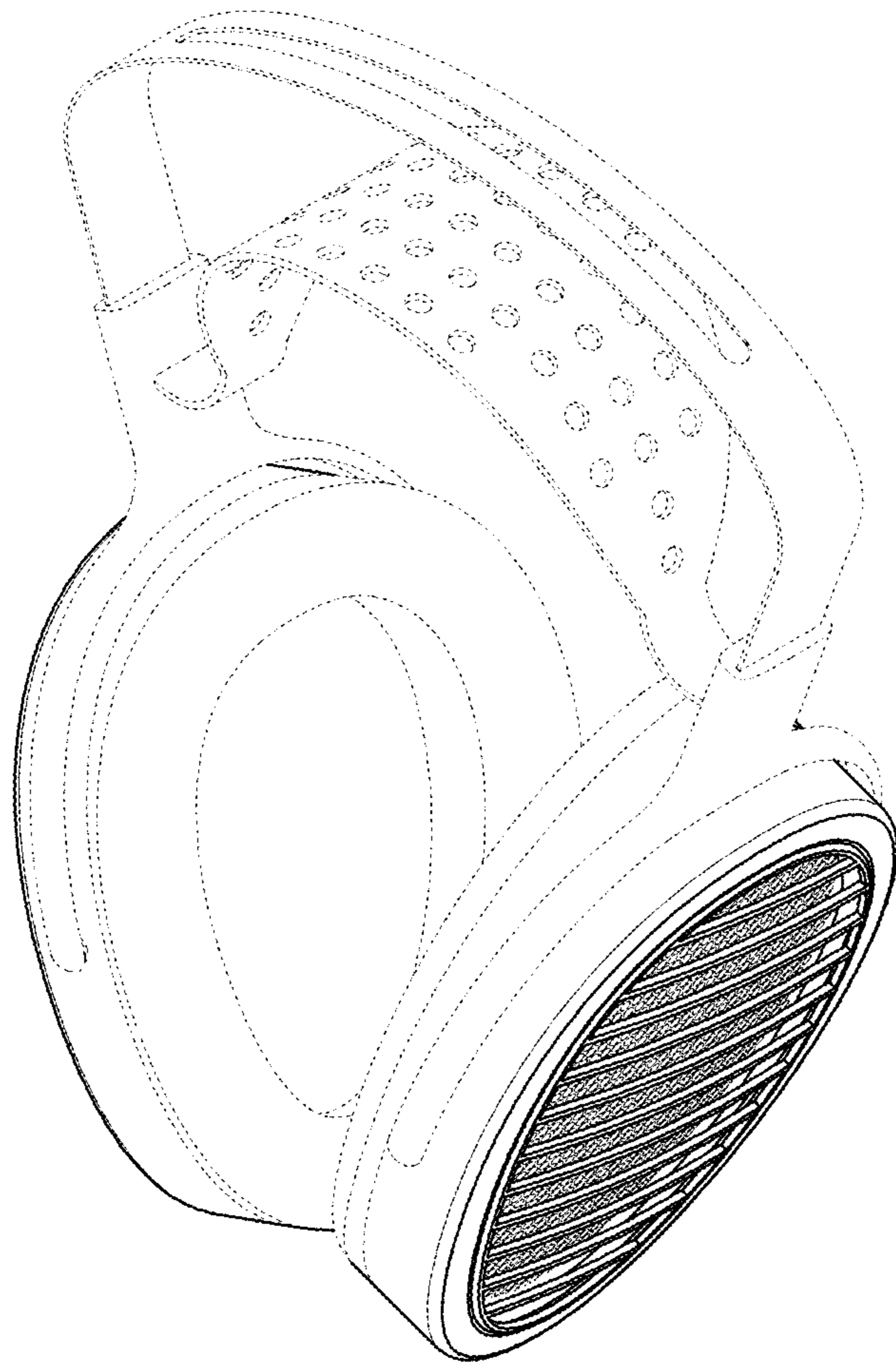


FIG. 1

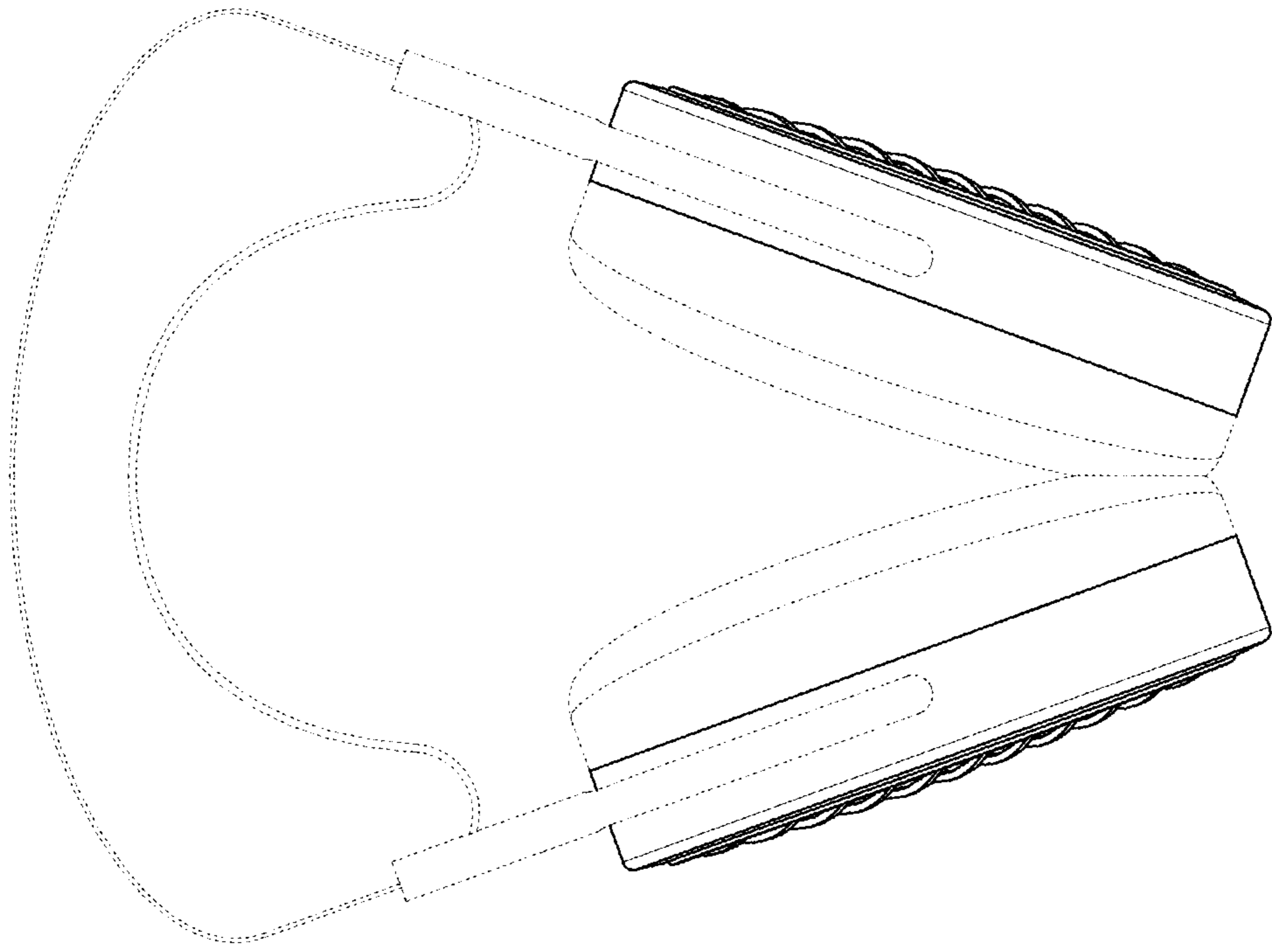


FIG. 2

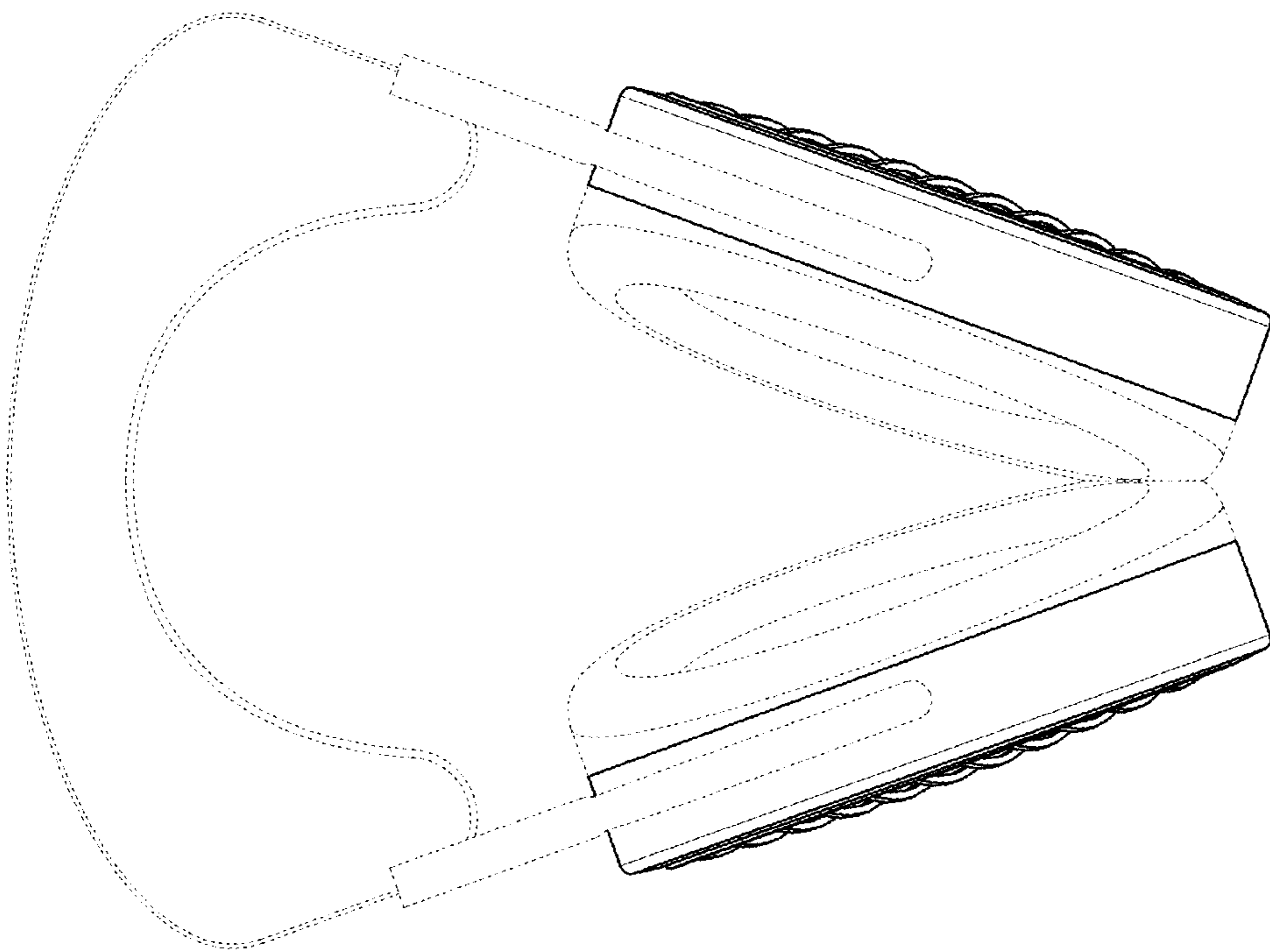


FIG. 3

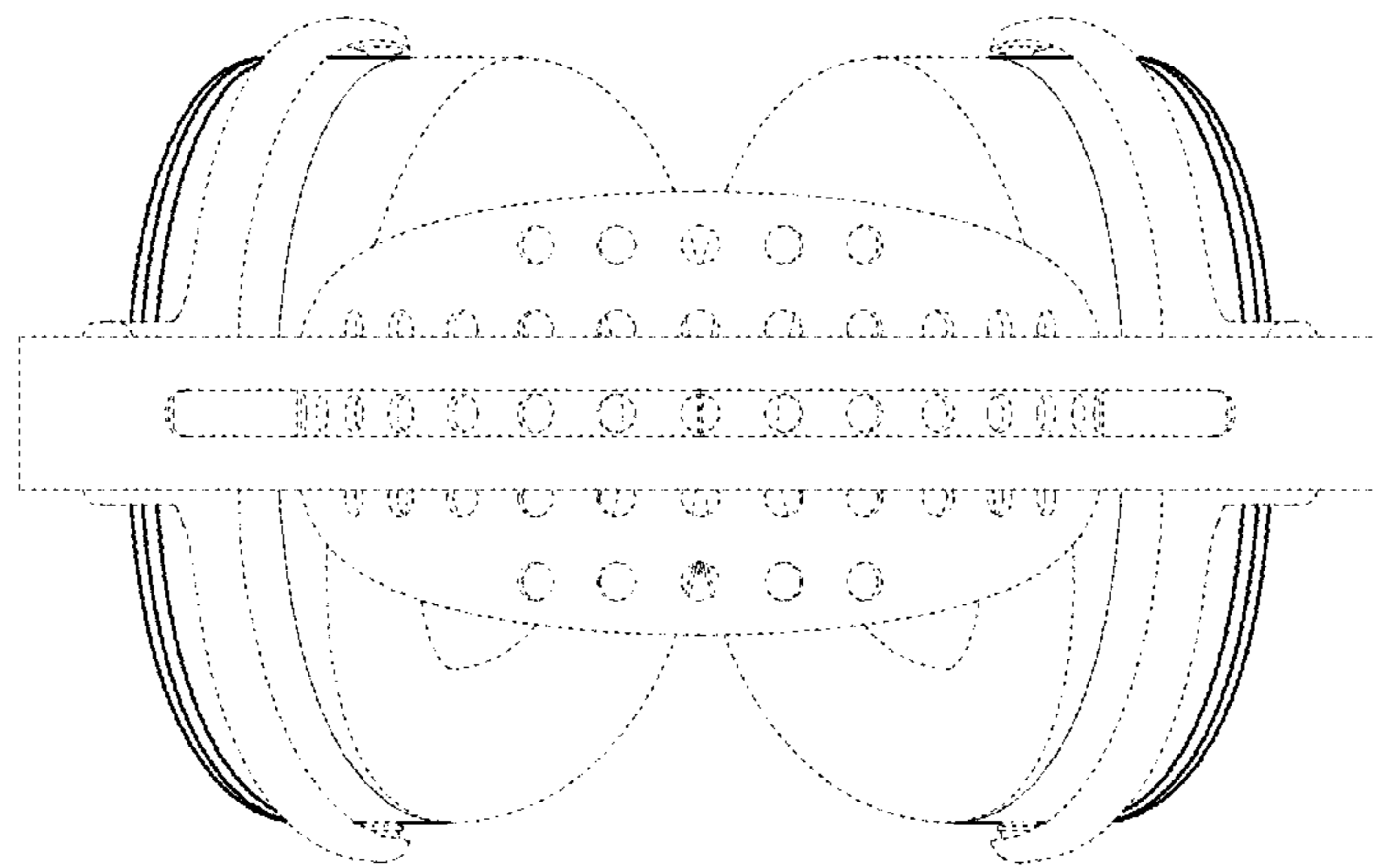


FIG. 4

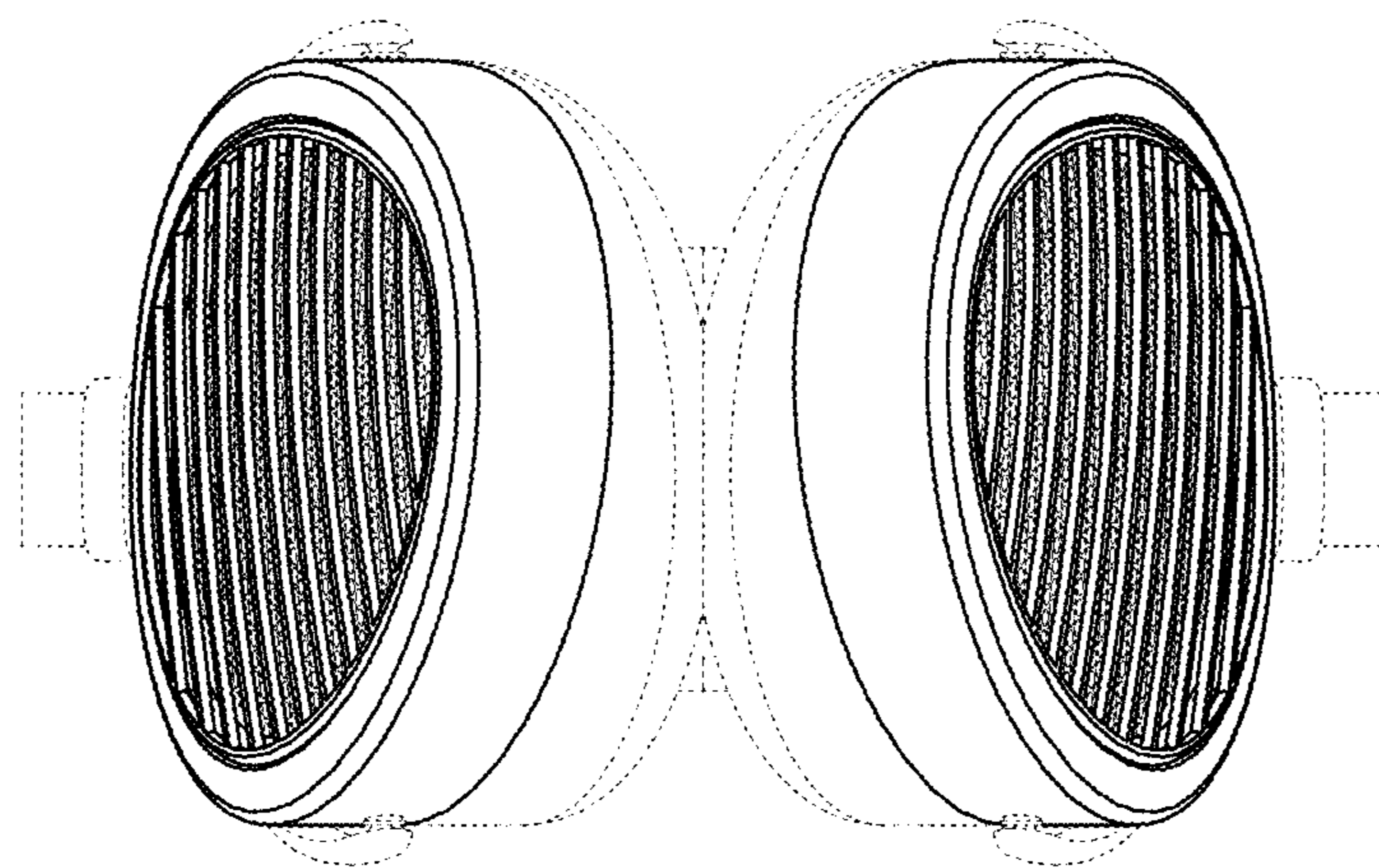


FIG. 5

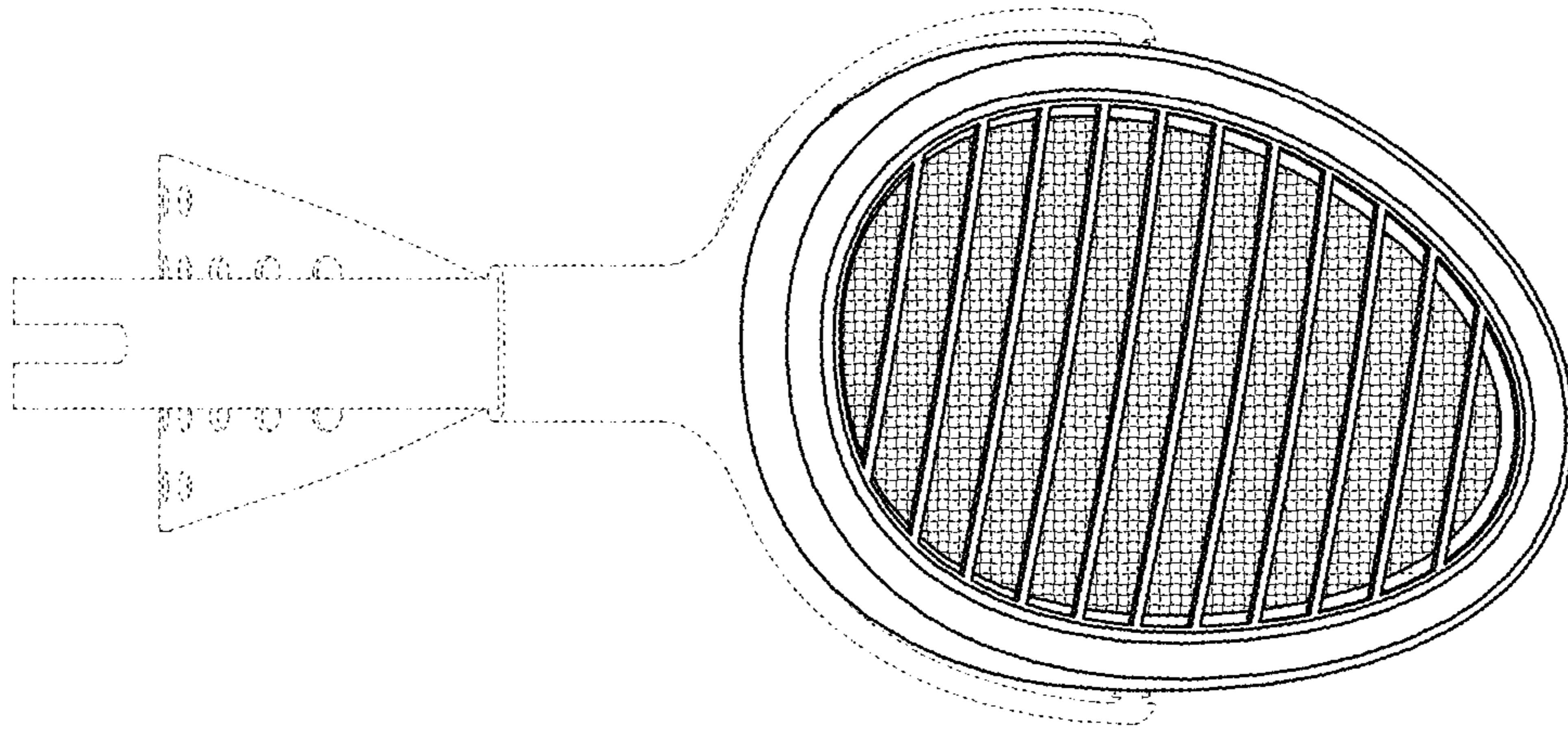


FIG. 7

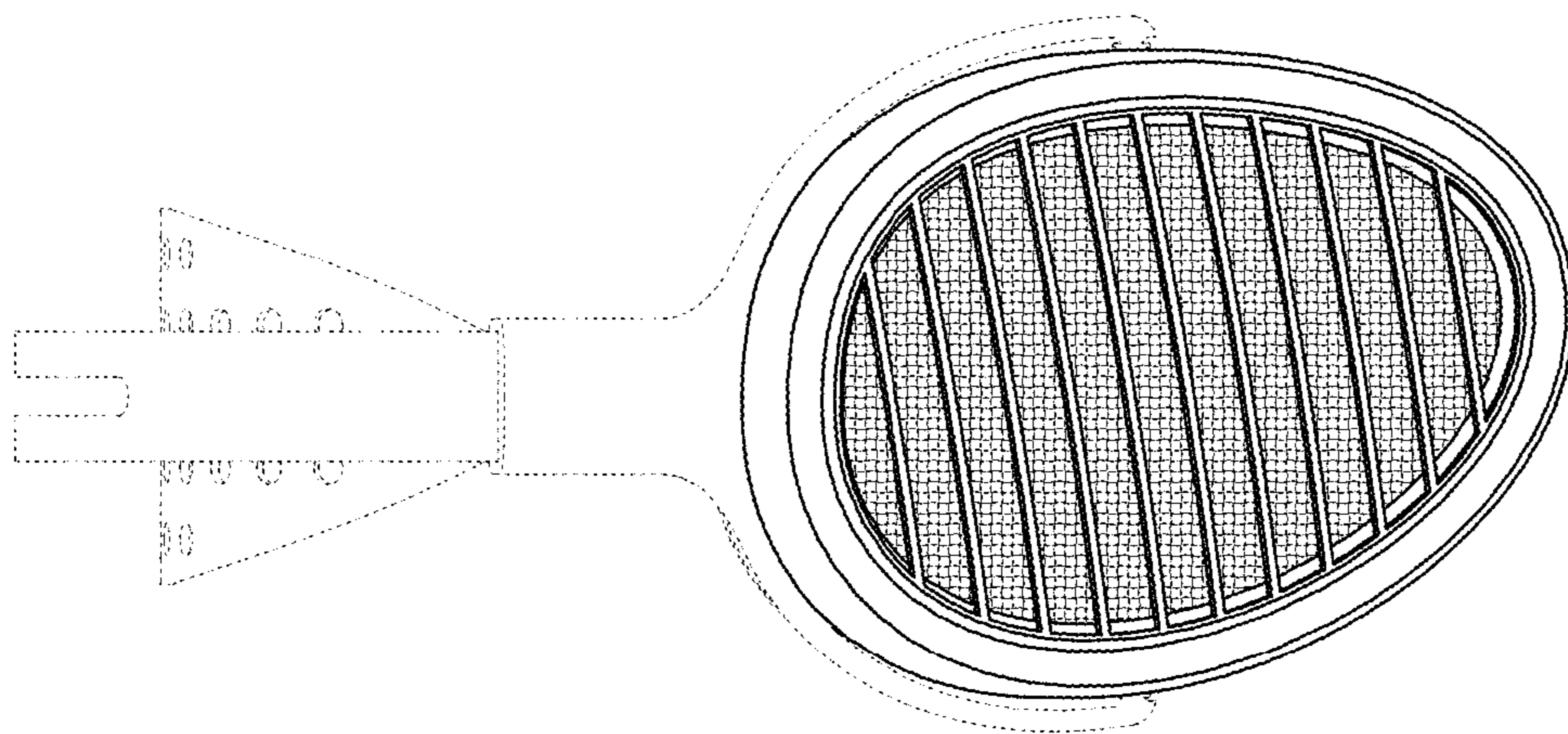


FIG. 6