



US00D766868S

(12) **United States Design Patent**  
**Breines**

(10) **Patent No.:** **US D766,868 S**

(45) **Date of Patent:** **\*\* Sep. 20, 2016**

(54) **SPEAKER SET**

(71) Applicant: **Robert Breines**, Westlake Village, CA  
(US)

(72) Inventor: **Robert Breines**, Westlake Village, CA  
(US)

(\*\*) Term: **14 Years**

(21) Appl. No.: **29/493,009**

(22) Filed: **Jun. 4, 2014**

(51) **LOC (10) Cl.** ..... **14-01**

(52) **U.S. Cl.**  
USPC ..... **D14/204**

(58) **Field of Classification Search**  
USPC ..... D14/168, 188, 203.1, 204, 214, 221,  
D14/222, 314, 348, 365; 181/144, 147, 148,  
181/150, 153, 157, 198, 199; 381/300-303,  
381/306, 332, 333, 336, 345, 361-364,  
381/386-388; 369/6-12  
CPC ..... H04R 1/02; H04R 1/021; H04R 1/023;  
H04R 5/00; H04R 9/06; H04R 2420/07  
See application file for complete search history.

(56) **References Cited**

**U.S. PATENT DOCUMENTS**

D449,829 S \* 10/2001 Gustavsson ..... D14/214  
D509,212 S \* 9/2005 Hioki ..... D14/214  
D520,493 S \* 5/2006 Amsel ..... D14/211

D597,525 S \* 8/2009 Jha ..... D14/168  
D602,465 S \* 10/2009 Mills ..... D14/168  
D624,047 S \* 9/2010 Kim ..... D14/215  
D629,791 S \* 12/2010 Wang ..... D14/216  
D664,119 S \* 7/2012 Won ..... D14/215  
D681,605 S \* 5/2013 Yagi ..... D14/204

**FOREIGN PATENT DOCUMENTS**

JP D1286501 \* 11/2006

\* cited by examiner

*Primary Examiner* — Ian Simmons

*Assistant Examiner* — Janice Lim

(57) **CLAIM**

The ornamental design for a speaker set, as shown and described.

**DESCRIPTION**

FIG. 1 is a front perspective view of a speaker set, showing my new design;

FIG. 2 is a front elevational view thereof;

FIG. 3 is a rear elevational view thereof;

FIG. 4 is a left-side elevational view thereof;

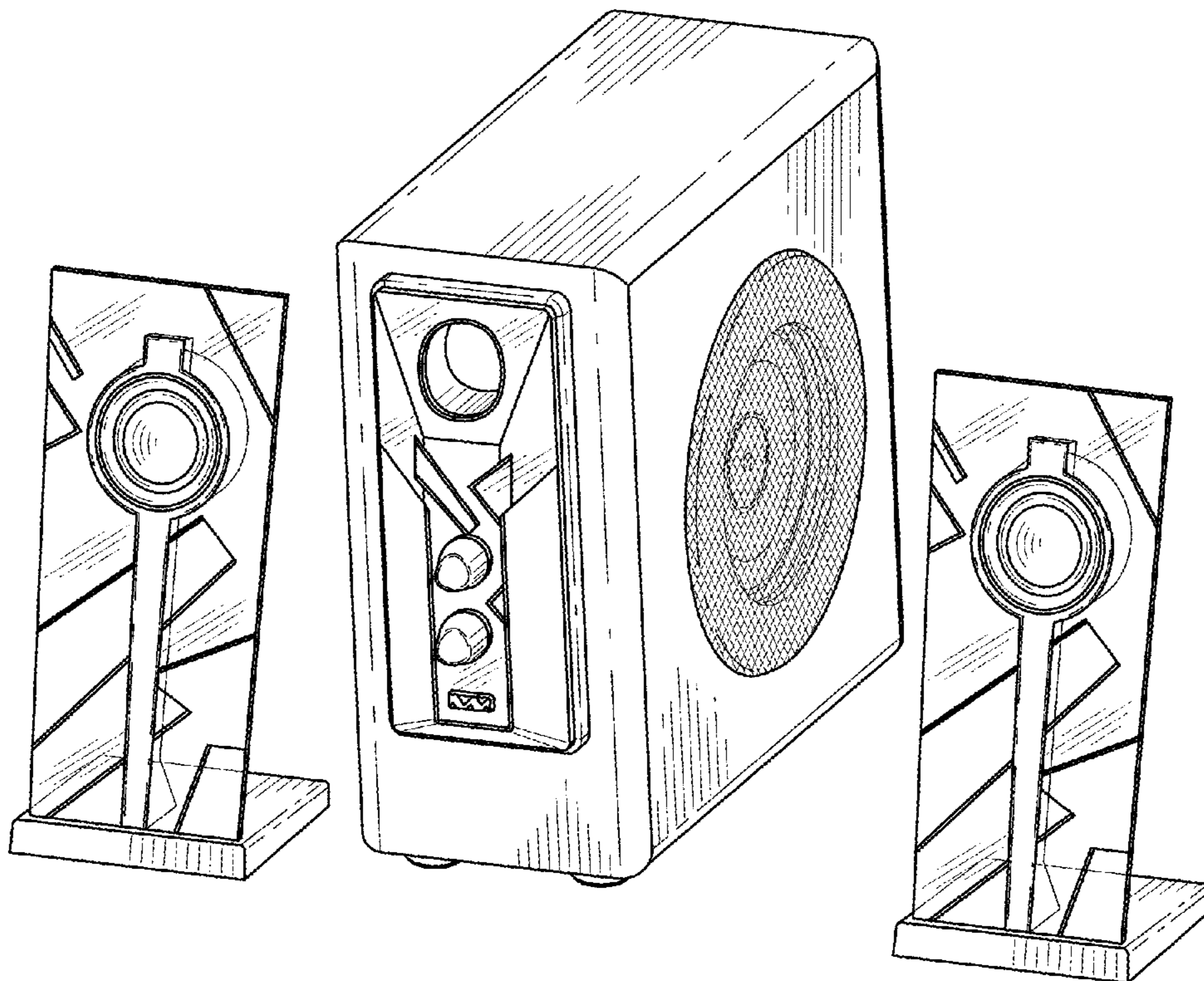
FIG. 5 is a right-side elevational view thereof;

FIG. 6 is a top plan view thereof; and,

FIG. 7 is a bottom plan view thereof.

The broken line portions of FIGS. 1, 3, 5, and 7 are included to show unclaimed subject matter only and form no part of the claimed design.

**1 Claim, 4 Drawing Sheets**



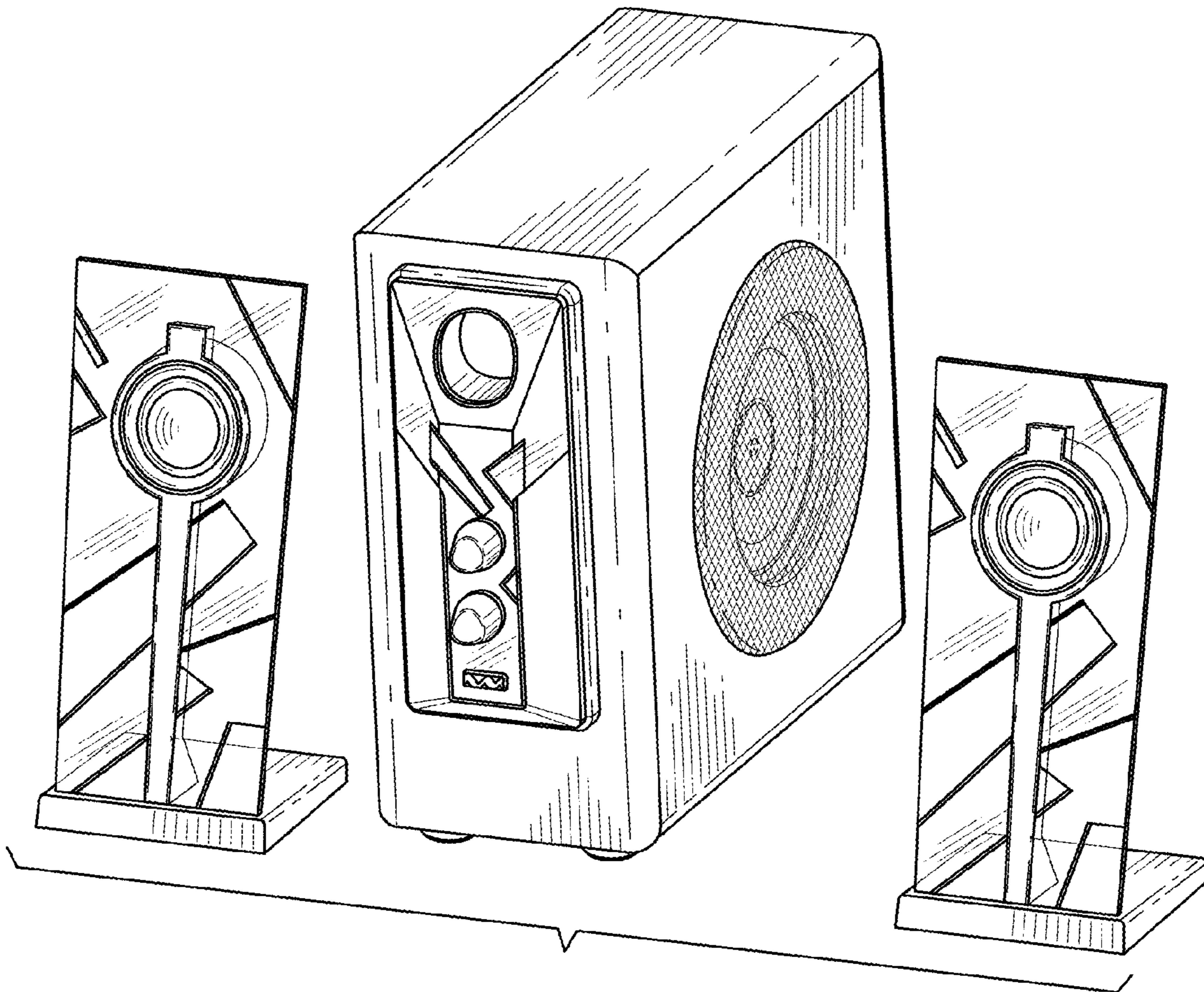


FIG. 1

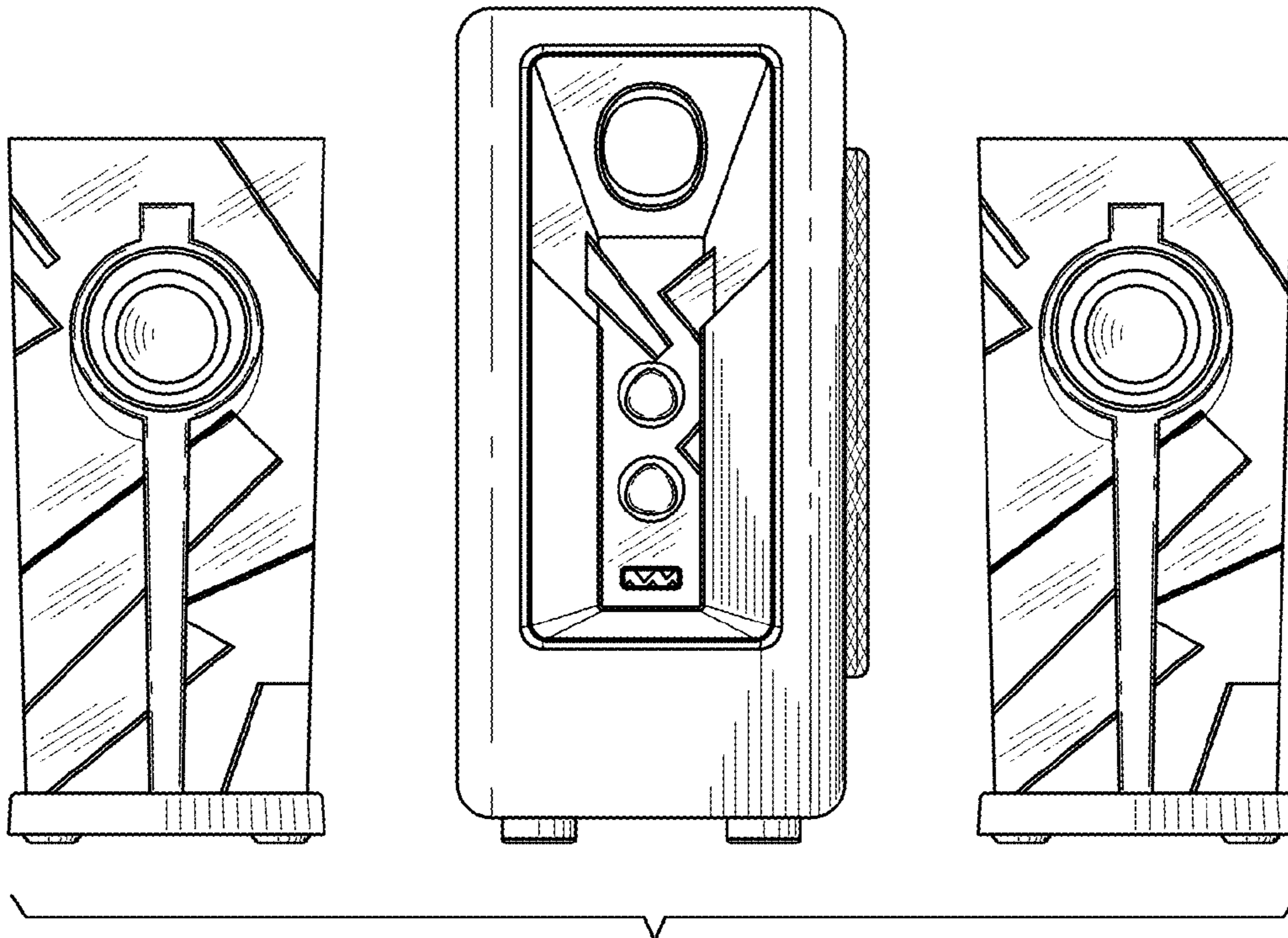


FIG. 2

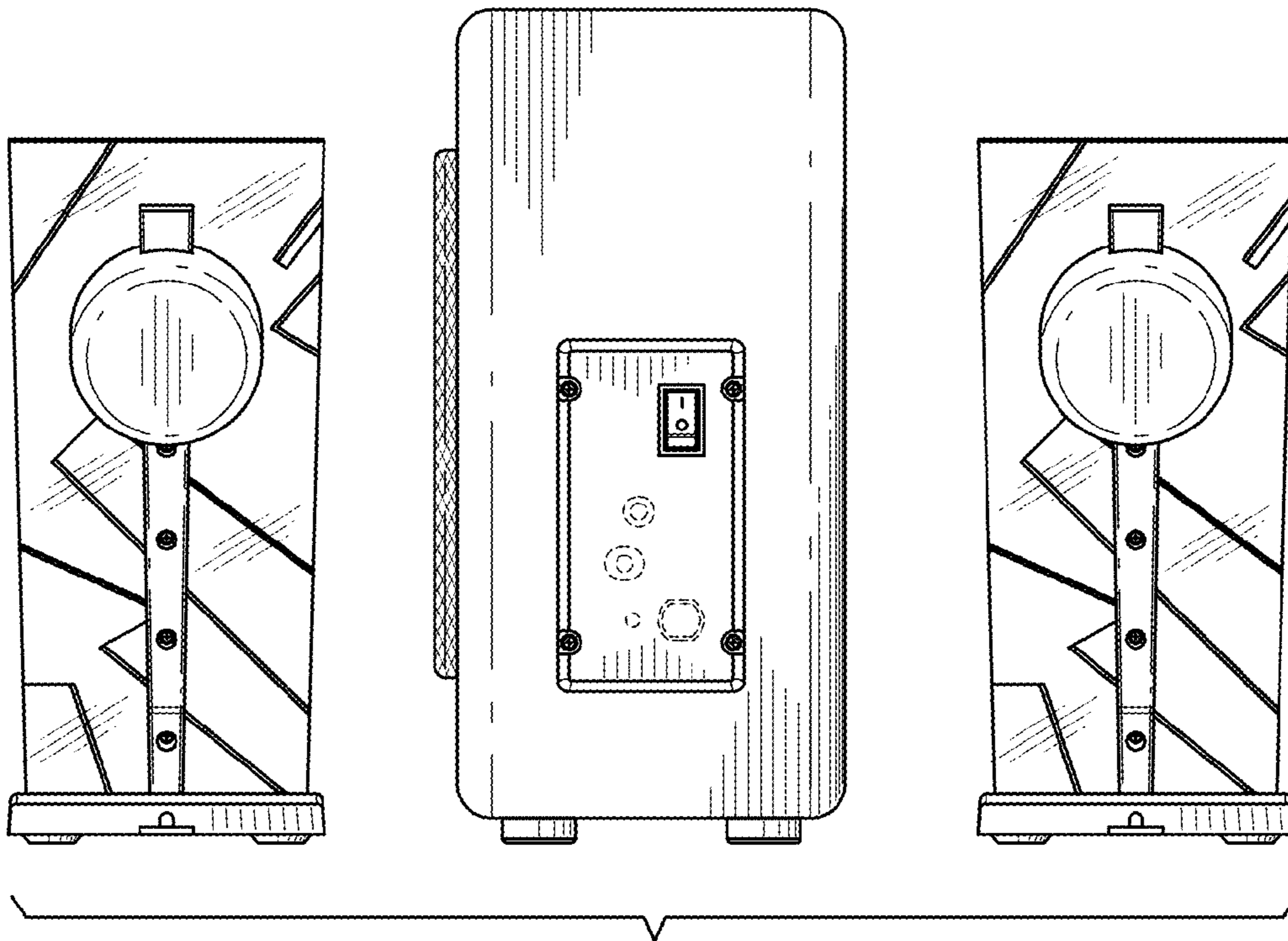


FIG. 3

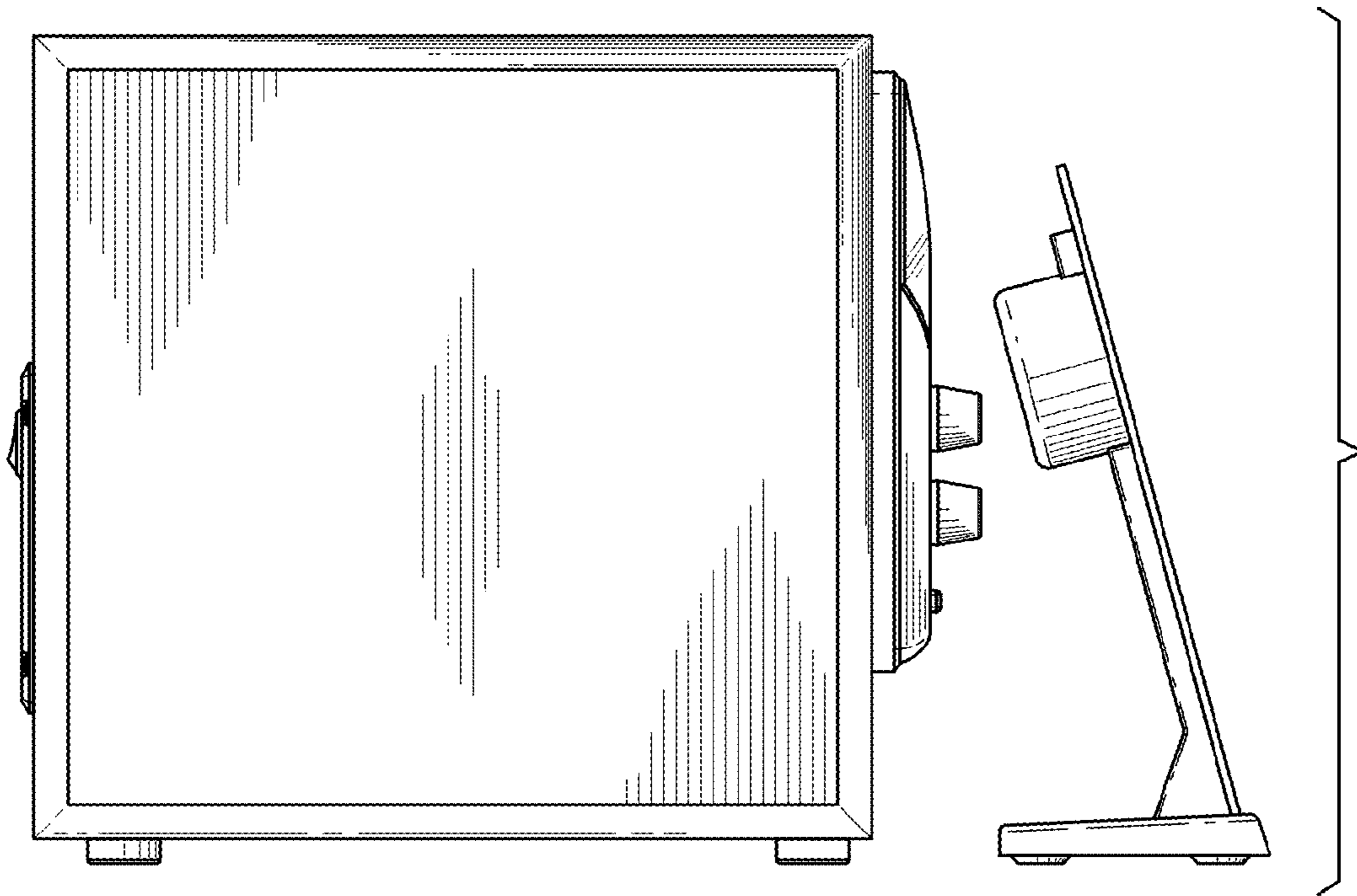


FIG. 4

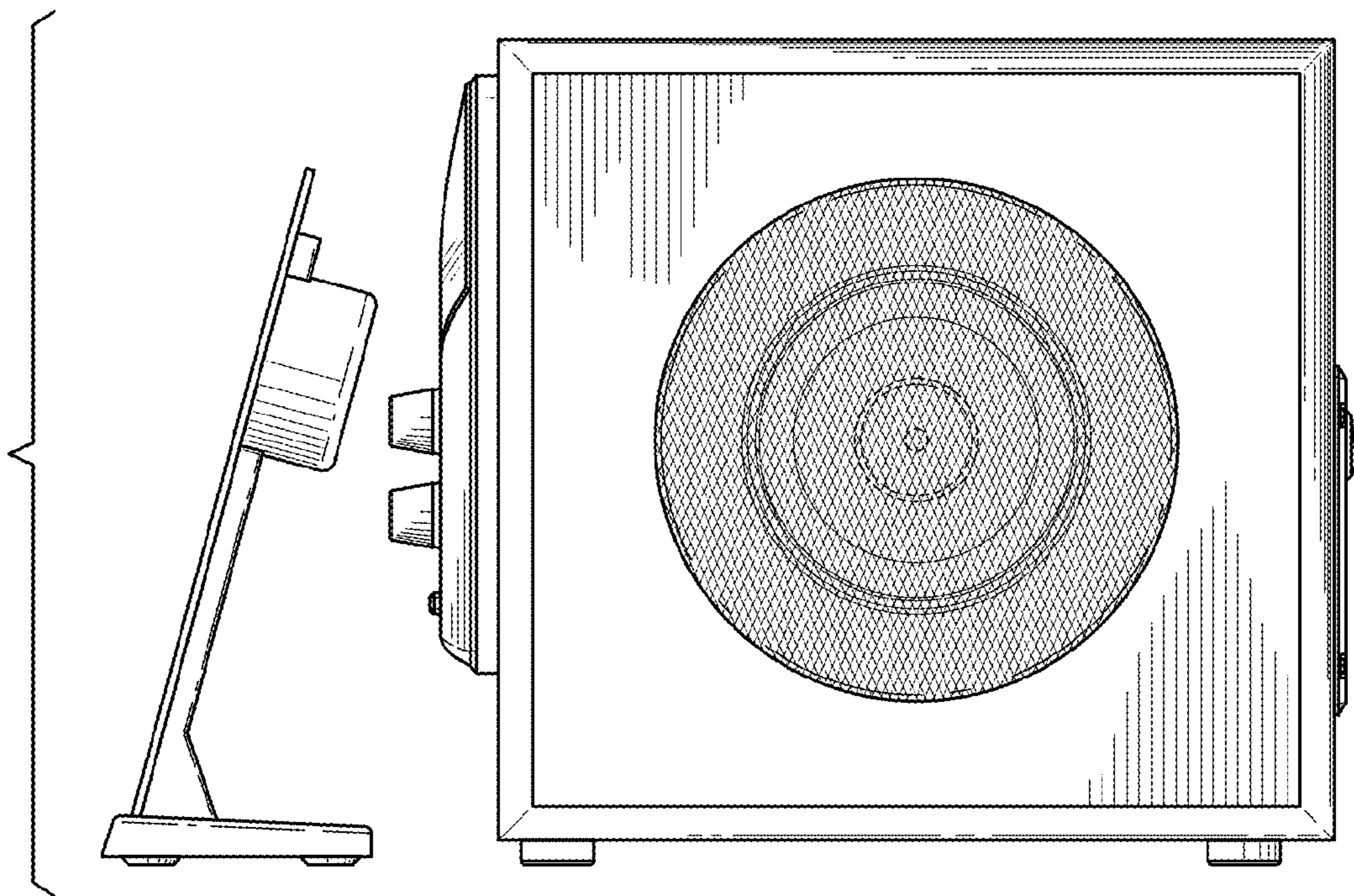


FIG. 5

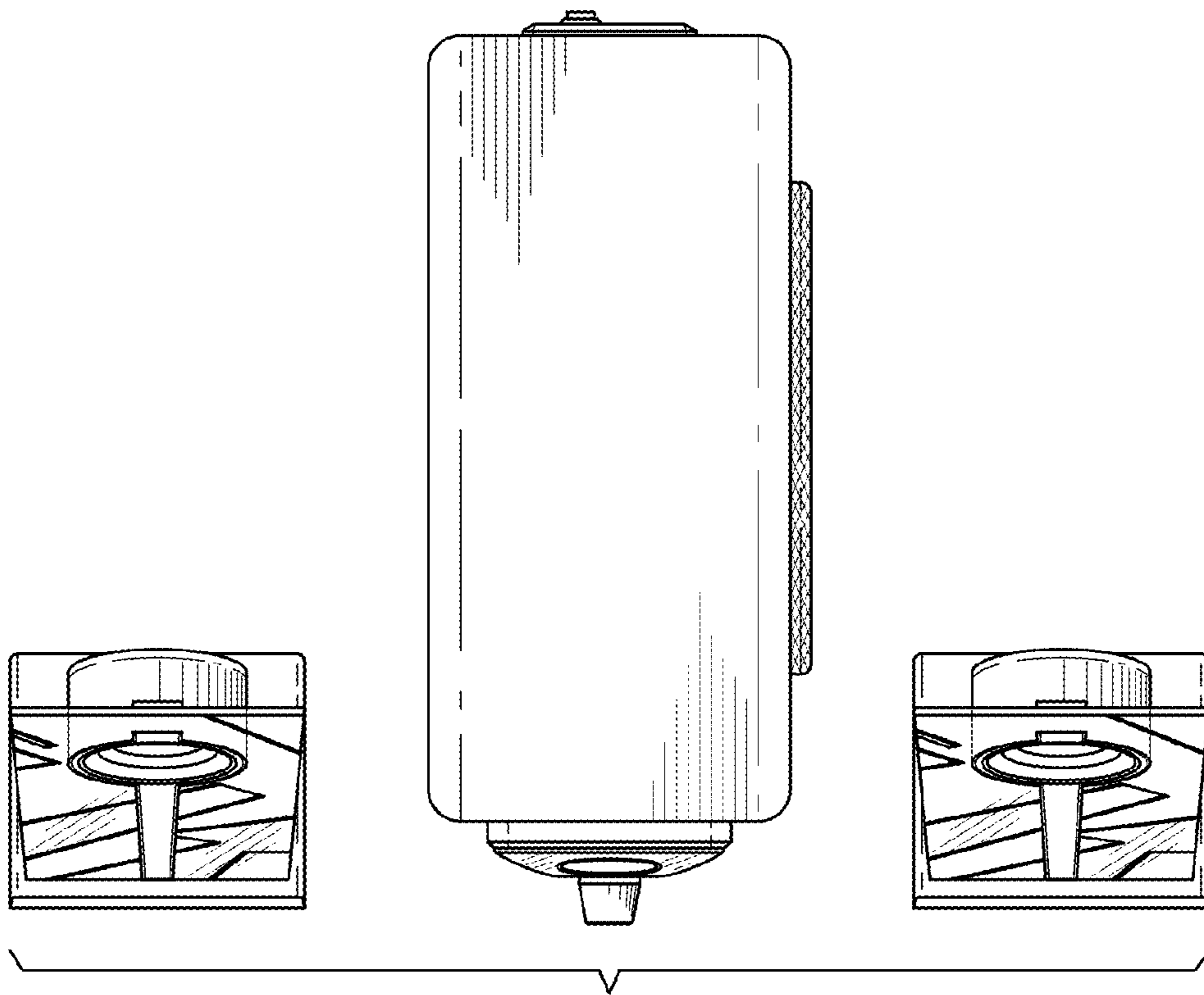


FIG. 6

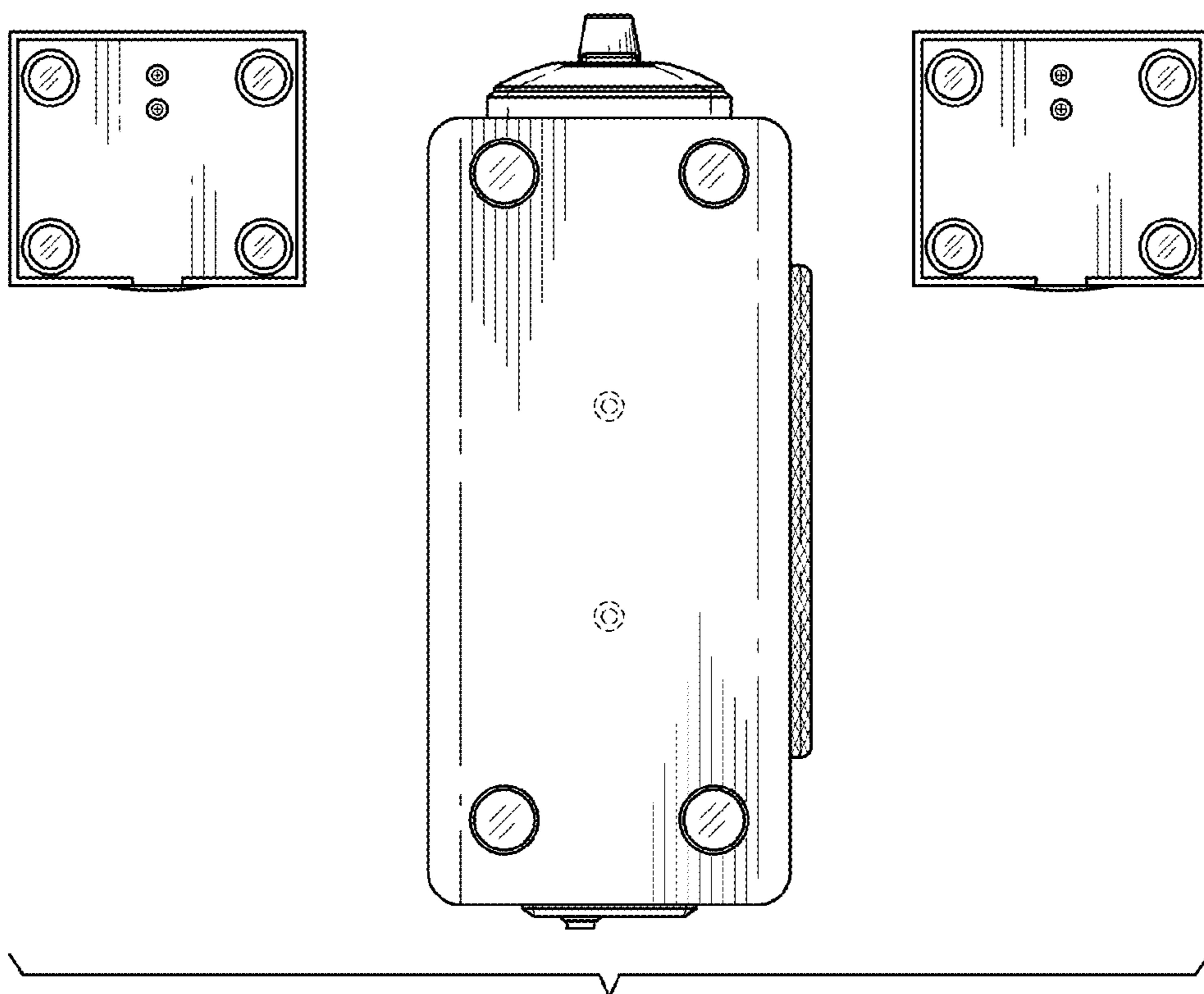


FIG. 7