

US00D766865S

(12) **United States Design Patent** (10) **Patent No.:** **US D766,865 S**
Tani (45) **Date of Patent:** **** Sep. 20, 2016**

(54) **INTERCOM**
(71) Applicant: **Panasonic Intellectual Property Management Co., Ltd., Osaka (JP)**
(72) Inventor: **Atsushi Tani, Osaka (JP)**
(73) Assignee: **Panasonic Intellectual Property Management Co., Ltd., Osaka (JP)**
(**) Term: **15 Years**

D533,800 S * 12/2006 Bryant D10/116.1
D562,306 S * 2/2008 Jeong D14/159
D575,764 S * 8/2008 Nakashima D14/159
D579,913 S * 11/2008 Lamason D14/159
D595,260 S * 6/2009 Takahata D14/159
D609,727 S 2/2010 Adolfsson et al.
D618,659 S 6/2010 Su
D637,174 S * 5/2011 Elkerbout D14/159
D666,988 S * 9/2012 Meurer D14/159
D696,224 S * 12/2013 Murayama D14/159
D729,760 S * 5/2015 Takahata D14/159
D736,292 S 8/2015 Fengmin et al.
D736,738 S * 8/2015 Larson D14/159
D752,012 S * 3/2016 Takahata D14/142

(21) Appl. No.: **29/545,958**

* cited by examiner

(22) Filed: **Nov. 17, 2015**

(51) **LOC (10) Cl.** **14-03**

Primary Examiner — Austin Murphy

(52) **U.S. Cl.**
USPC **D14/159**

(74) *Attorney, Agent, or Firm* — Panasonic IP Management; Kerry S. Culpepper

(58) **Field of Classification Search**
USPC D14/167, 154, 168, 188, 496, 156, 160, D14/161, 162, 163, 164, 165, 158, 253, 192, D14/159, 155, 138 AB, 137, 104.1; 455/351, 455/350, 353; D10/104, 106, 65, 78; 340/573.4, 573.1
CPC G06F 3/16; G08B 3/00; H04M 11/00; H04N 7/14; H04N 7/26
See application file for complete search history.

(57) **CLAIM**

I claim the ornamental design for an intercom, as shown and described.

DESCRIPTION

FIG. 1 is a front perspective view of an intercom of the present invention;
FIG. 2 is a front view thereof;
FIG. 3 is a rear view thereof;
FIG. 4 is a left side view thereof;
FIG. 5 is a right side view thereof;
FIG. 6 is a top view thereof; and,
FIG. 7 is a bottom view thereof.
The broken line showing of intercom is included for the purpose of illustrating environment and forms no part of the claimed design.

(56) **References Cited**

U.S. PATENT DOCUMENTS

D313,593 S 1/1991 Morooka
D500,751 S 1/2005 Yukikado et al.
D513,744 S 1/2006 Senda et al.
D522,490 S 6/2006 Yukikado et al.
D525,963 S 8/2006 Yukikado et al.
D527,055 S * 8/2006 Hester D10/116.1
D531,160 S 10/2006 Yukikado et al.

1 Claim, 7 Drawing Sheets

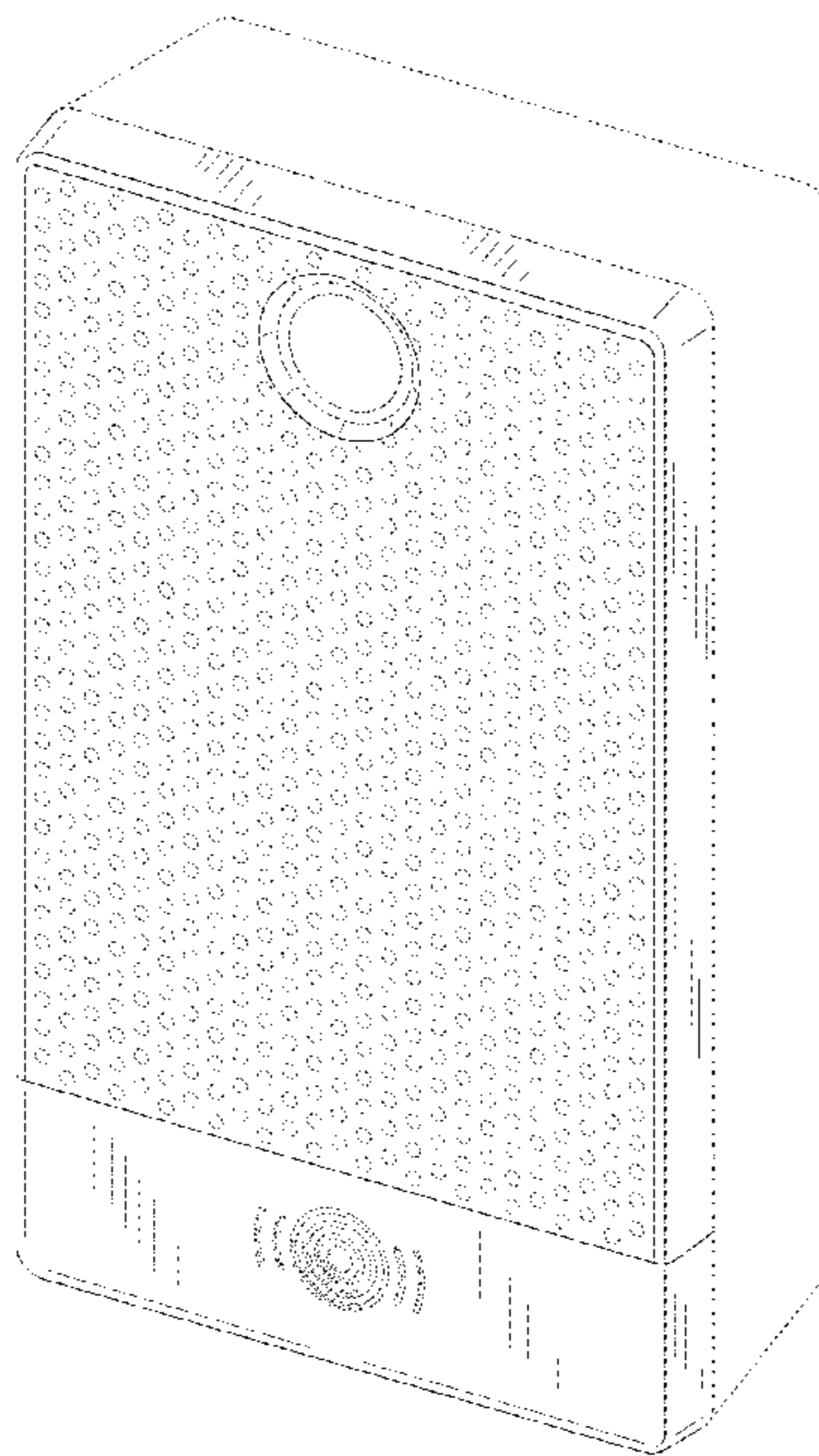


FIG. 1

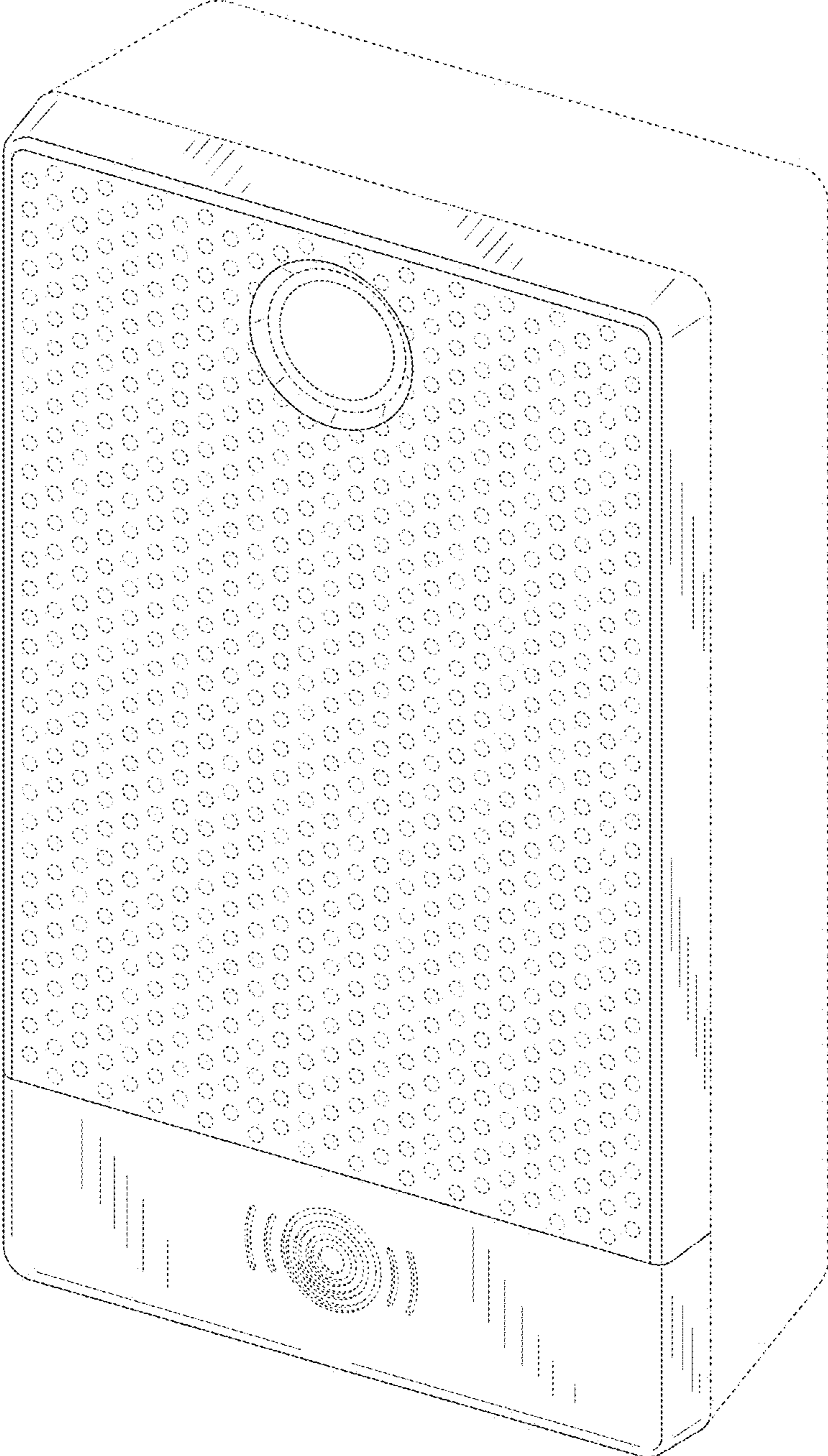


FIG. 2

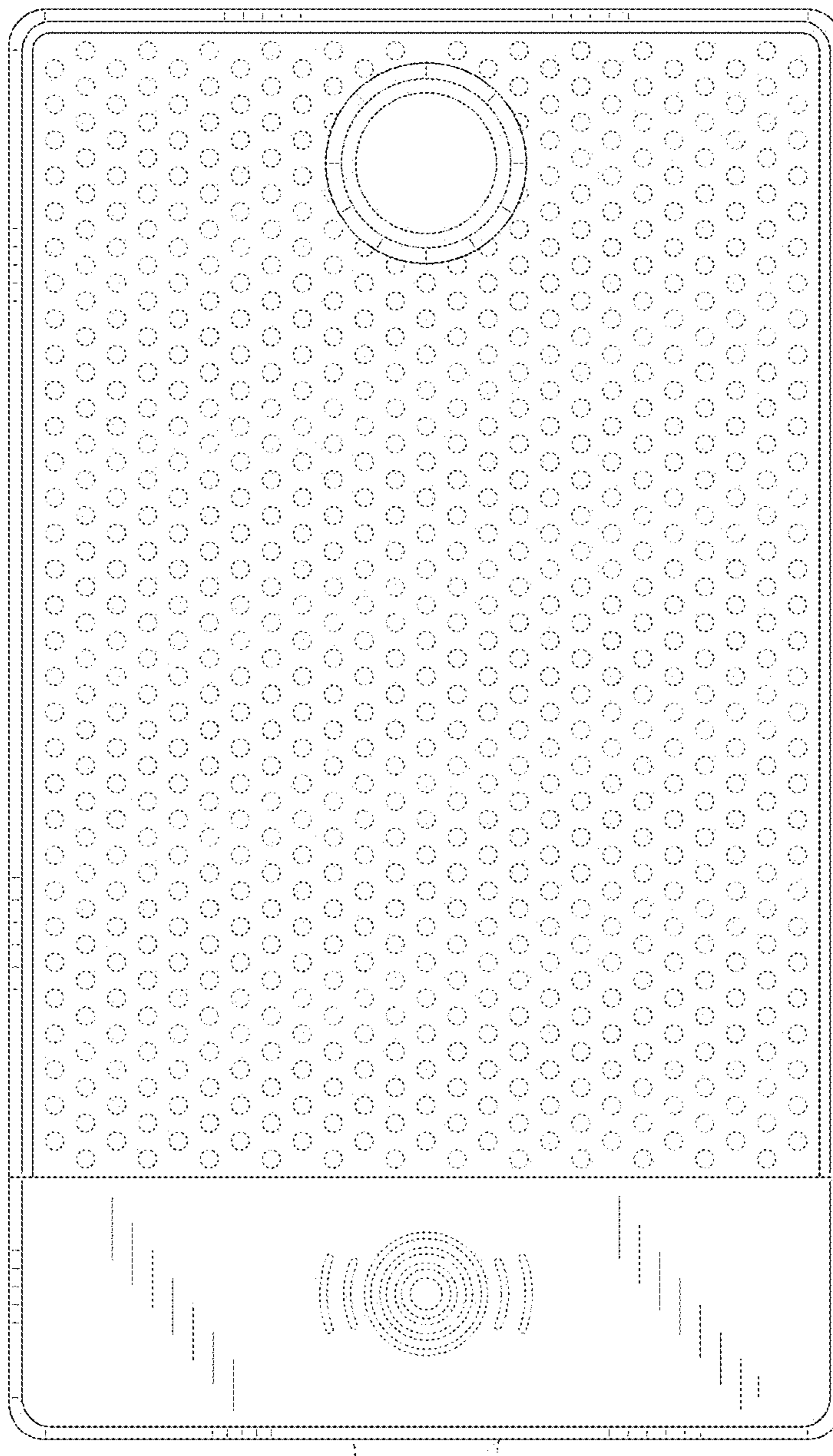


FIG. 3

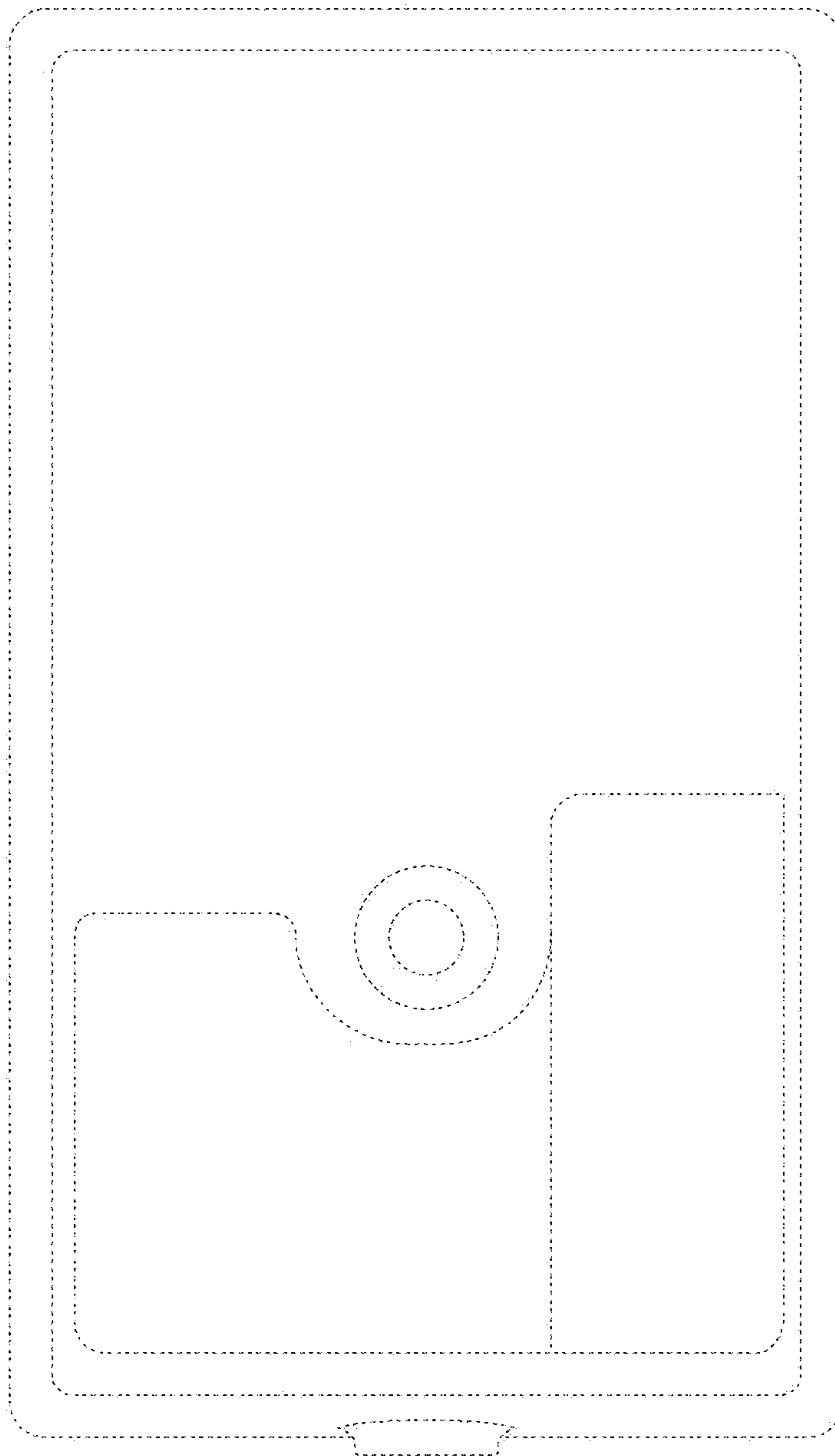


FIG. 4



FIG. 5



FIG. 6

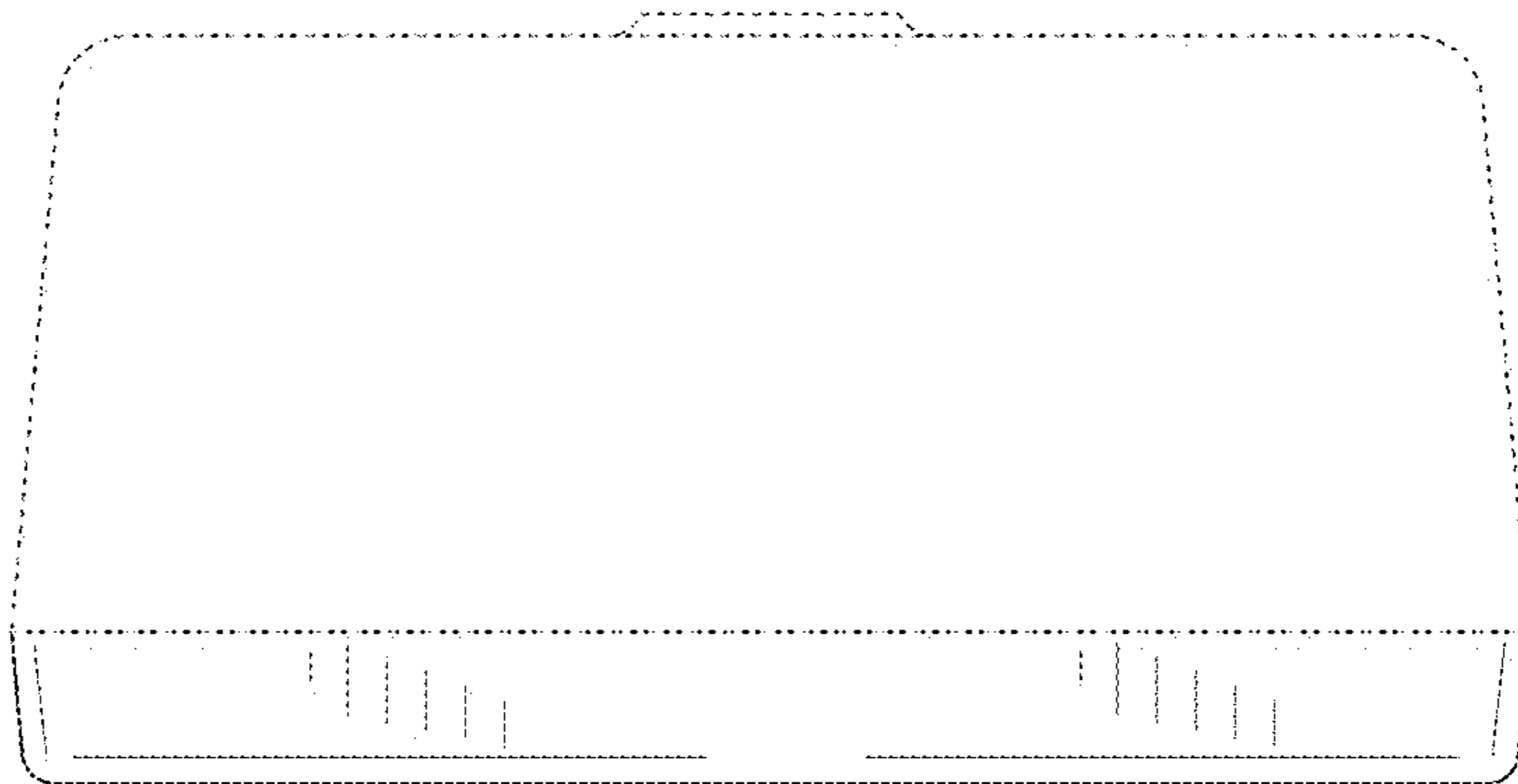


FIG. 7

