

US00D766863S

(12) **United States Design Patent** (10) **Patent No.:** **US D766,863 S**  
**Huang et al.** (45) **Date of Patent:** **\*\* Sep. 20, 2016**

- (54) **MOBILE PHONE**
- (71) Applicant: **ZTE Corporation**, Shenzhen, Guangdong (CN)
- (72) Inventors: **Leqing Huang**, Shenzhen (CN); **Yi Pan**, Shenzhen (CN); **Kunwei Dong**, Shenzhen (CN); **Jiawei Gao**, Shenzhen (CN)
- (73) Assignee: **ZTE Corporation**, Shenzhen (CN)
- (\*\*) Term: **14 Years**
- (21) Appl. No.: **29/510,441**
- (22) Filed: **Nov. 27, 2014**

- D619,555 S 7/2010 Yang et al.
- D648,693 S 11/2011 Kim et al.
- D653,641 S 2/2012 Chen
- D654,460 S 2/2012 Kim et al.
- D657,331 S 4/2012 Jung

(Continued)

**OTHER PUBLICATIONS**

ZTE Speed, announced Dec. 2014, [online], [retrieved on Jun. 21, 2016]. Retrieved from Internet ,<URL: http://www.gsmarena.com>.\*

(Continued)

*Primary Examiner* — Bridget L Eland  
(74) *Attorney, Agent, or Firm* — Oppedahl Patent Law Firm LLC

**Related U.S. Application Data**

- (62) Division of application No. 29/452,707, filed on Apr. 19, 2013, now Pat. No. Des. 720,713.

**Foreign Application Priority Data**

Oct. 19, 2012 (CN) ..... 2012 3 0542268

- (51) **LOC (10) Cl.** ..... **14-03**

- (52) **U.S. Cl.**  
USPC ..... **D14/138 G**

- (58) **Field of Classification Search**  
USPC .. D14/138 G, 138 AD, 248, 138 R, 138 AC, D14/247, 137, 341-347  
CPC ..... H04M 1/0202; H04M 1/0235; H04M 1/0237; H04M 1/0239; H04M 1/0266; H04M 1/0268; H04M 1/027; H04M 1/0295  
See application file for complete search history.

- (56) **References Cited**

**U.S. PATENT DOCUMENTS**

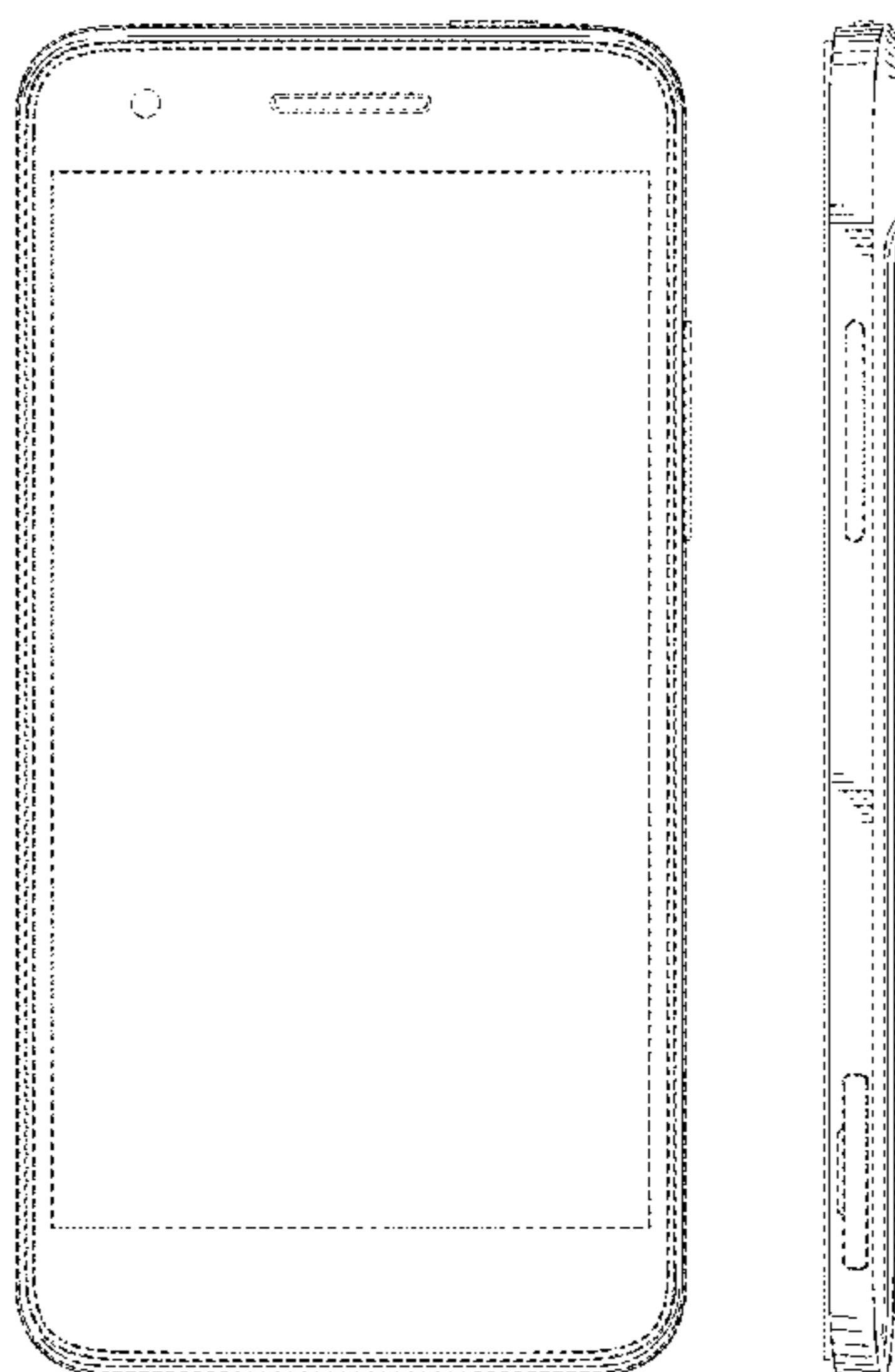
- D580,390 S 11/2008 Kim et al.
- D615,083 S 5/2010 Andre et al.

- (57) **CLAIM**  
The ornamental design for a mobile phone, as shown and described.

**DESCRIPTION**

FIG. 1 is a front side elevation view of our new design for a mobile phone.  
FIG. 2 is a left side elevation view of FIG. 1.  
FIG. 3 is right side elevation view of FIG. 1.  
FIG. 4 is a top side plan view of FIG. 1.  
FIG. 5 is a bottom side plan view of FIG. 1.  
FIG. 6 is a back side elevation view of FIG. 1.  
FIG. 7 is a back side perspective view of FIG. 1; and, FIG. 8 is a front side perspective view of FIG. 1.  
The features shown in broken lines in the drawing depict environmental subject matter only and form no part of the claimed design.

**1 Claim, 3 Drawing Sheets**



(56)

**References Cited**

U.S. PATENT DOCUMENTS

D663,711 S \* 7/2012 Lee ..... D14/138 G  
 D671,089 S 11/2012 Joung et al.  
 D674,369 S 1/2013 JaeWoong  
 D675,180 S 1/2013 Zhang et al.  
 D675,586 S 2/2013 Choi  
 D675,588 S 2/2013 Park  
 D676,819 S 2/2013 Choi  
 D677,640 S \* 3/2013 Kim ..... D14/138 G  
 D681,594 S 5/2013 Hong  
 D686,176 S 7/2013 Kim  
 D687,400 S 8/2013 Park et al.  
 D688,218 S 8/2013 Lee  
 D689,840 S 9/2013 Lu  
 D695,247 S 12/2013 Kim et al.  
 D698,767 S 2/2014 Son  
 D702,203 S 4/2014 Son  
 D711,341 S 8/2014 Shin et al.  
 D720,713 S \* 1/2015 Huang ..... D14/138 G  
 D736,205 S \* 8/2015 Park ..... D14/138 R

2008/0259094 A1 10/2008 Kim et al.  
 2009/0111508 A1 4/2009 Yeh et al.  
 2011/0070929 A1 3/2011 Li  
 2011/0143825 A1 6/2011 Ahn et al.

OTHER PUBLICATIONS

Samsung Galaxy S II AT&T, announced Aug. 2011, [online], [retrieved on Sep. 14, 2011]. Retrieved from Internet ,<URL: <http://www.gsmarena.com>>.  
 Samsung i997 Infuse 4G, announced Jan. 2011, [online], [retrieved on Jan. 6, 2011]. Retrieved from Internet ,<URL: <http://www.gsmarena.com>.  
 Samsung Galaxy S II Skyrocket HD, announced Jan. 2012, [online], [retrieved on Feb. 3, 2012]. Retrieved from Internet ,<URL: <http://www.gsmarena.com>>.  
 Huawei Honor, announced Sep. 2011, [online], [retrieved on Sep. 27, 2011]. Retrieved from Internet ,<URL: <http://www.gsmarena.com>>.

\* cited by examiner

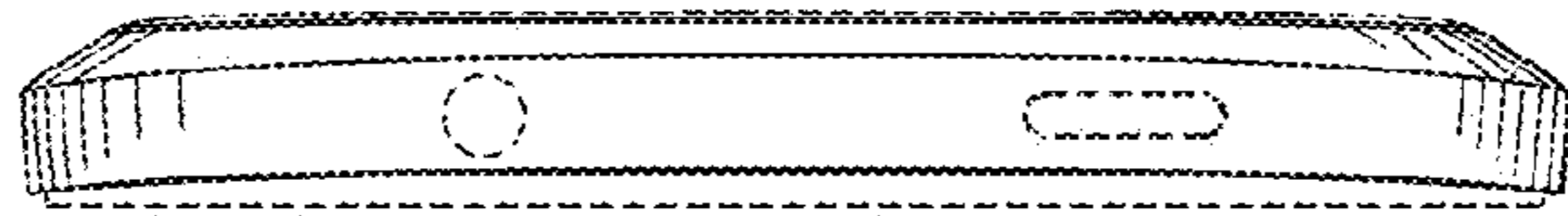


FIG. 4

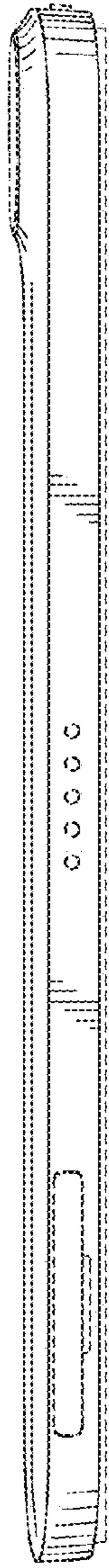


FIG. 2

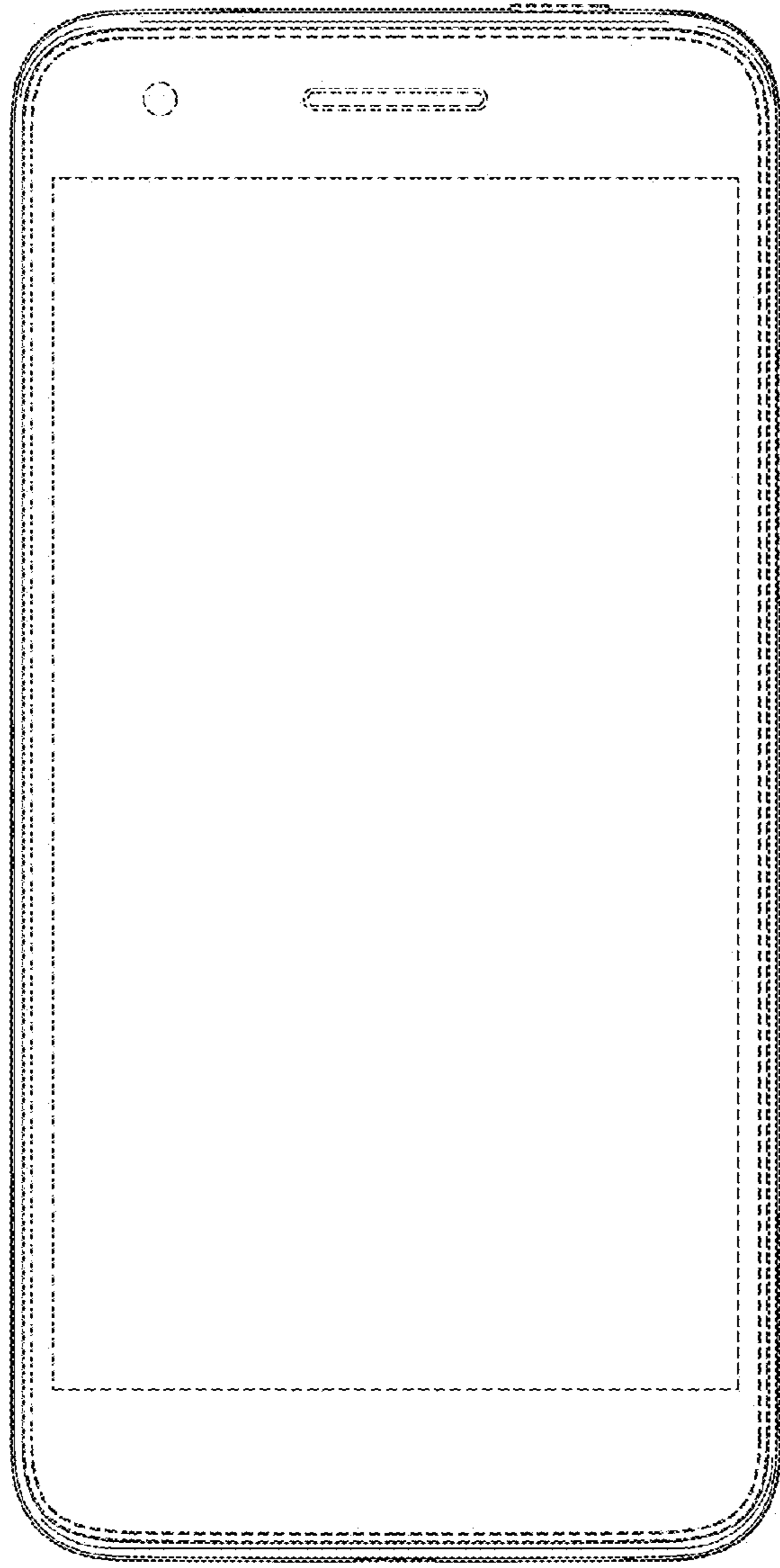


FIG. 1

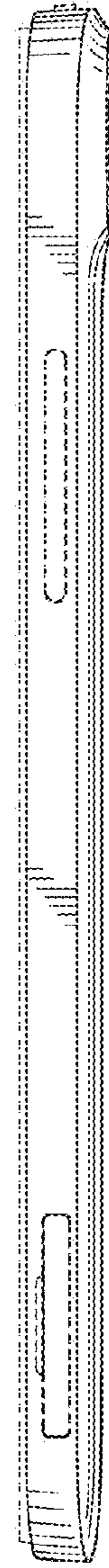


FIG. 3

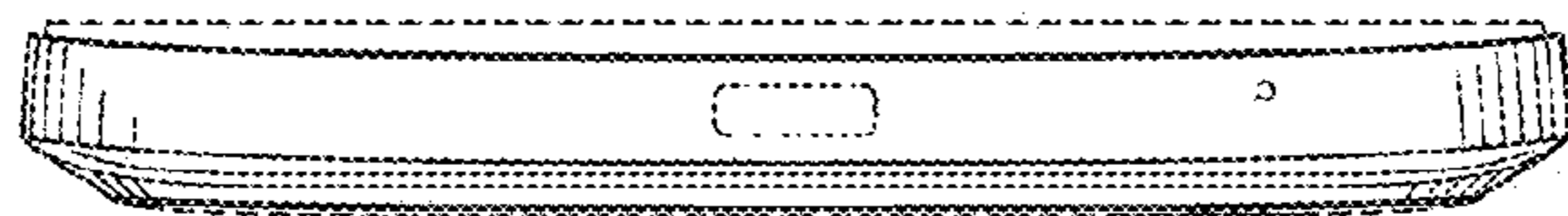


FIG. 5

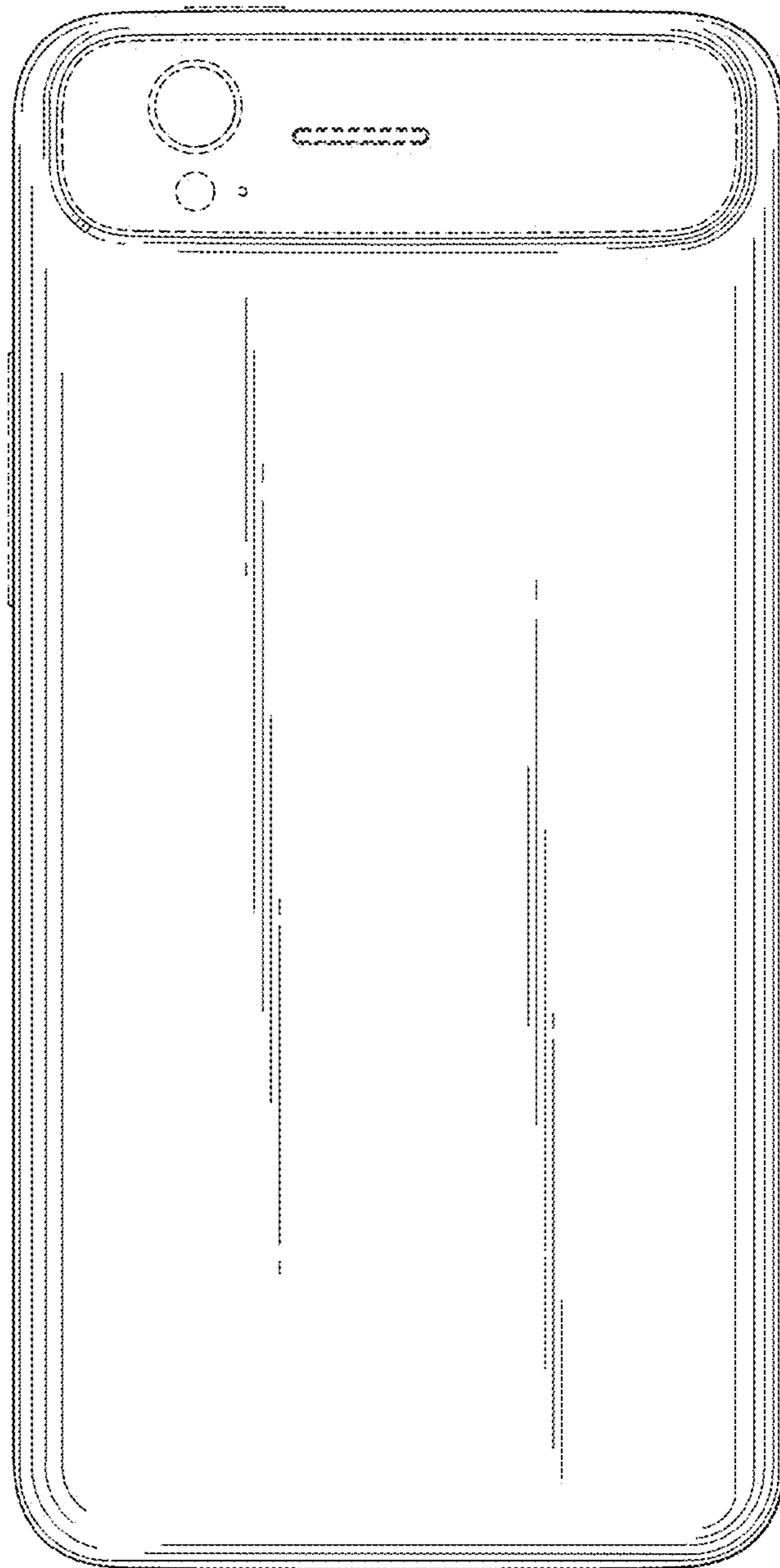


FIG. 6

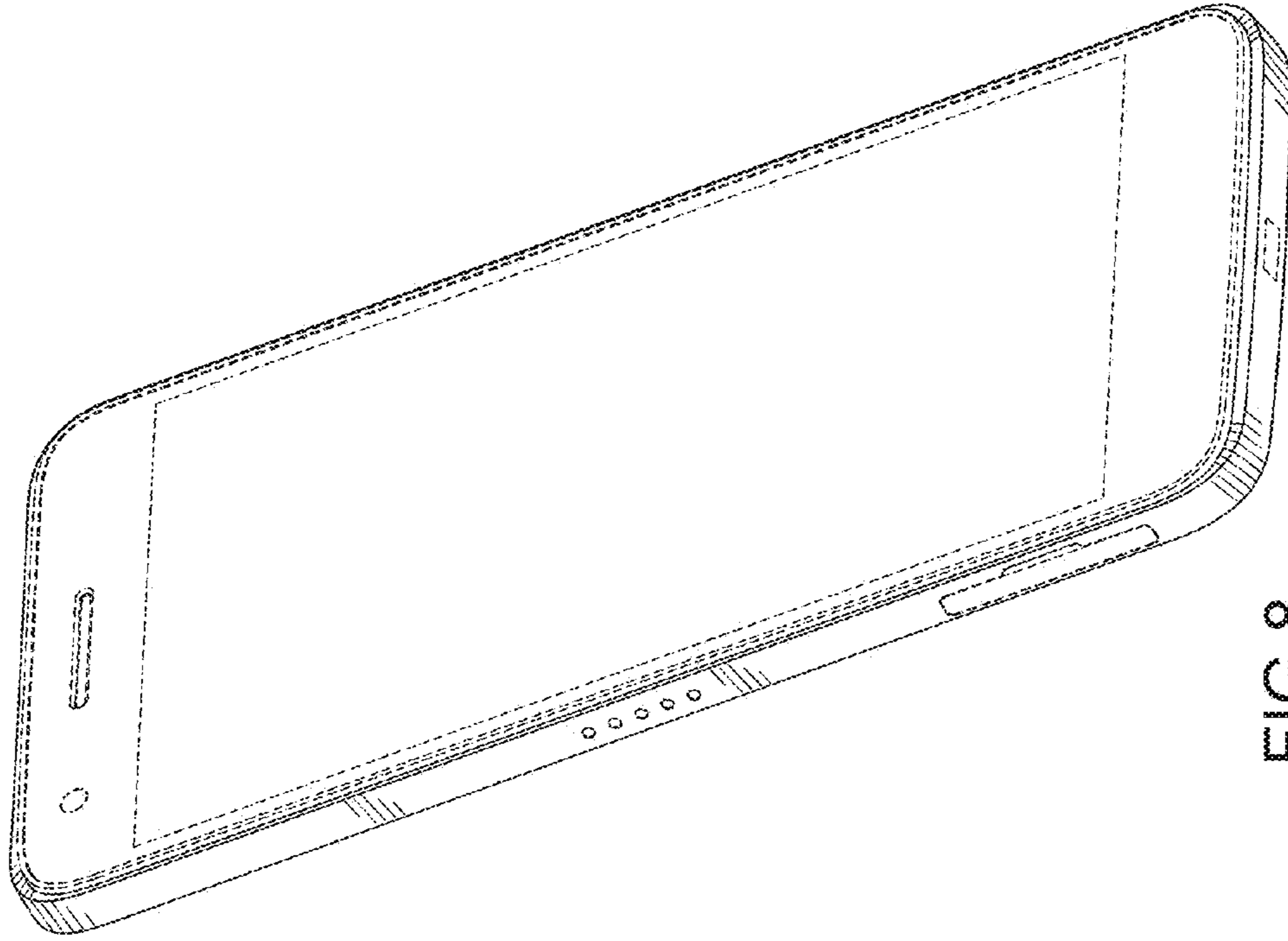


FIG. 8

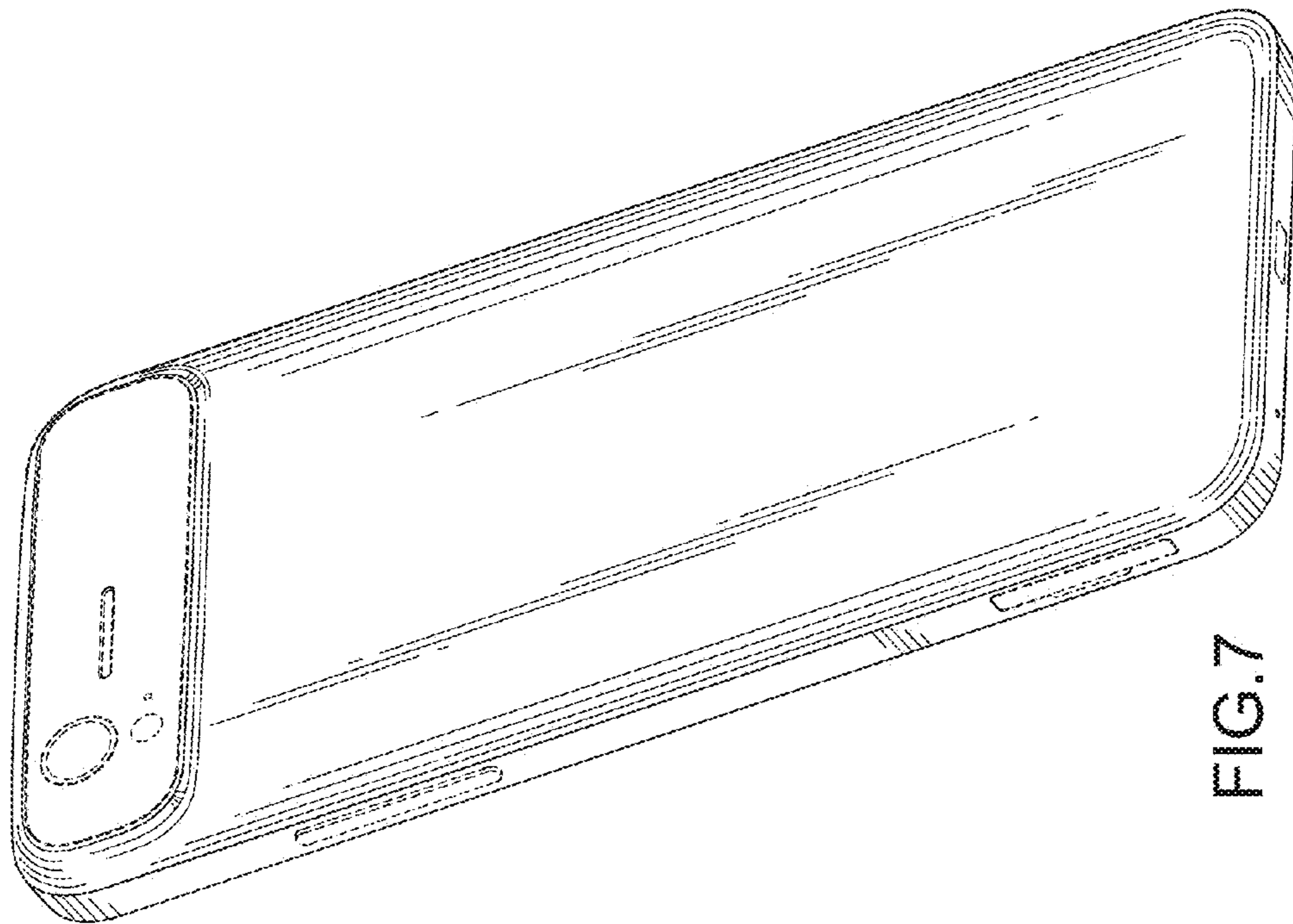


FIG. 7