

US00D766862S

(12) **United States Design Patent** (10) **Patent No.:** **US D766,862 S**
Park et al. (45) **Date of Patent:** **** Sep. 20, 2016**

(54) **MOBILE PHONE**

(71) Applicant: **LG ELECTRONICS INC.**, Seoul (KR)

(72) Inventors: **Soon Hyun Park**, Seoul (KR); **Sei Hyun Cho**, Seoul (KR); **Sang Hyuck Lee**, Seoul (KR)

(73) Assignee: **LG Electronics Inc.**, Seoul (KR)

(**) Term: **14 Years**

(21) Appl. No.: **29/504,826**

(22) Filed: **Oct. 9, 2014**

(30) **Foreign Application Priority Data**

Apr. 22, 2014 (KR) 30-2014-0020393

(51) **LOC (10) Cl.** **14-03**

(52) **U.S. Cl.**
USPC **D14/138 G**

(58) **Field of Classification Search**
USPC .. D14/138 G, 138 AD, 248, 138 R, 138 AC, D14/247, 137, 341-347
CPC H04M 1/0202; H04M 1/0235; H04M 1/0237; H04M 1/0239; H04M 1/0266; H04M 1/0268; H04M 1/027; H04M 1/0295; G06F 1/1626

See application file for complete search history.

(56) **References Cited**

U.S. PATENT DOCUMENTS

- D509,215 S * 9/2005 Han D14/343
- D611,029 S * 3/2010 Wang D14/138 AD
- D646,248 S * 10/2011 Lee D14/138 G
- D646,253 S * 10/2011 Kim D14/138 G
- D654,461 S * 2/2012 Kim D14/138 AD
- D657,332 S * 4/2012 Veiga D14/138 G
- D658,147 S * 4/2012 Yoon D14/138 G
- D668,628 S * 10/2012 Ha D14/138 G
- D675,585 S * 2/2013 Park D14/138 G
- D702,660 S * 4/2014 Oh D14/138 G

- D719,124 S * 12/2014 Kim D14/138 AD
- D720,324 S * 12/2014 Wang D14/138 G
- D720,711 S * 1/2015 Lin D14/138 G
- D722,038 S * 2/2015 Cheng D14/138 G
- D723,493 S * 3/2015 Weng D14/138 G

(Continued)

OTHER PUBLICATIONS

Samsung Galaxy S II LTE i727R, announced 3rd quarter 2011, [online], [retrieved on May 27, 2016]. Retrieved from Internet , <URL: <http://www.gsmarena.com>>.*

Samsung Galaxy S II Skyrocket i727, announced Oct. 2011, [online], [retrieved on May 27, 2016]. Retrieved from Internet , <URL: <http://www.gsmarena.com>>.*

Motorola Triumph, announced Jun. 2011, [online], [retrieved on Aug. 19, 2011]. Retrieved from Internet , <URL: <http://www.gsmarena.com>>.*

(Continued)

Primary Examiner — Bridget L Eland

(74) *Attorney, Agent, or Firm* — Birch, Stewart, Kolasch & Birch, LLP

(57) **CLAIM**

We claim the ornamental design for a mobile phone, as shown and described.

DESCRIPTION

FIG. 1 is a perspective view of a mobile phone showing our new design:

FIG. 2 is a front elevation view thereof;

FIG. 3 is a rear elevation view thereof;

FIG. 4 is a left-side elevation view thereof;

FIG. 5 is a right-side elevation view thereof;

FIG. 6 is a top plan view thereof;

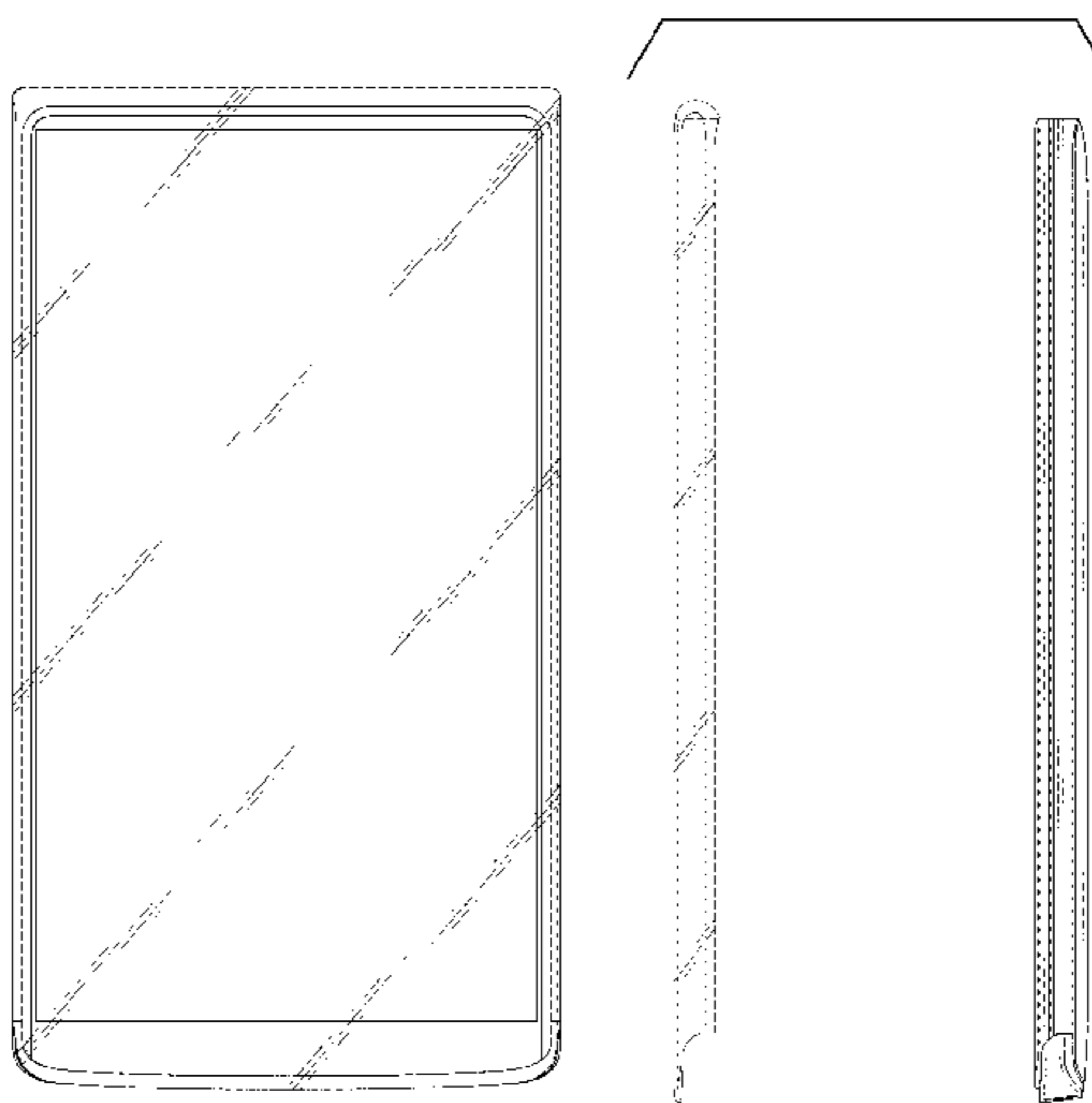
FIG. 7 is a bottom plan view thereof;

FIG. 8 is a perspective view in an exploded state; and,

FIG. 9 is a right-side elevation view in an exploded state.

The broken lines that are immediately adjacent to the claim, and define unshaded regions, represent the bounds of the claim while all other broken lines are directed to environment; the broken lines form no part of the claimed design.

1 Claim, 6 Drawing Sheets



(56)

References Cited

U.S. PATENT DOCUMENTS

D726,167	S *	4/2015	Lin	D14/248
D729,189	S *	5/2015	Kangasmaa	D14/138 G
D740,776	S *	10/2015	Kim	D14/138 AD
D755,146	S *	5/2016	Cho	D14/138 G
D755,147	S *	5/2016	Lin	D14/138 G
D755,152	S *	5/2016	Boucquey	D14/138 AA
D755,749	S *	5/2016	Kim	D14/138 G
2005/0124381	A1 *	6/2005	Kim	H04M 1/0237 455/556.1
2008/0096616	A1 *	4/2008	Choi	H01H 9/182 455/575.1
2010/0279694	A1 *	11/2010	Yagi	H04M 1/0266 455/436
2014/0184471	A1 *	7/2014	Martynov	G06F 3/1423 345/1.2

OTHER PUBLICATIONS

Nokia Asha 502 Dual SIM, announced Oct. 2013, [online], [retrieved on May 27, 2016]. Retrieved from Internet ,<URL: <http://www.gsmarena.com>>.*

Nokia Asha 500, announced Oct. 2013, [online], [retrieved on May 27, 2016]. Retrieved from Internet ,<URL: <http://www.gsmarena.com>>.*

Nokia Asha 500 Dual SIM, announced Oct. 2013, [online], [retrieved on May 27, 2016]. Retrieved from Internet ,<URL: <http://www.gsmarena.com>>.*

Nokia Asha 503, announced Oct. 2013, [online], [retrieved on May 27, 2016]. Retrieved from Internet ,<URL: <http://www.gsmarena.com>>.*

Nokia Asha 503 Dual SIM, announced Oct. 2013, [online], [retrieved on May 27, 2016]. Retrieved from Internet ,<URL: <http://www.gsmarena.com>>.*

* cited by examiner

FIG. 1

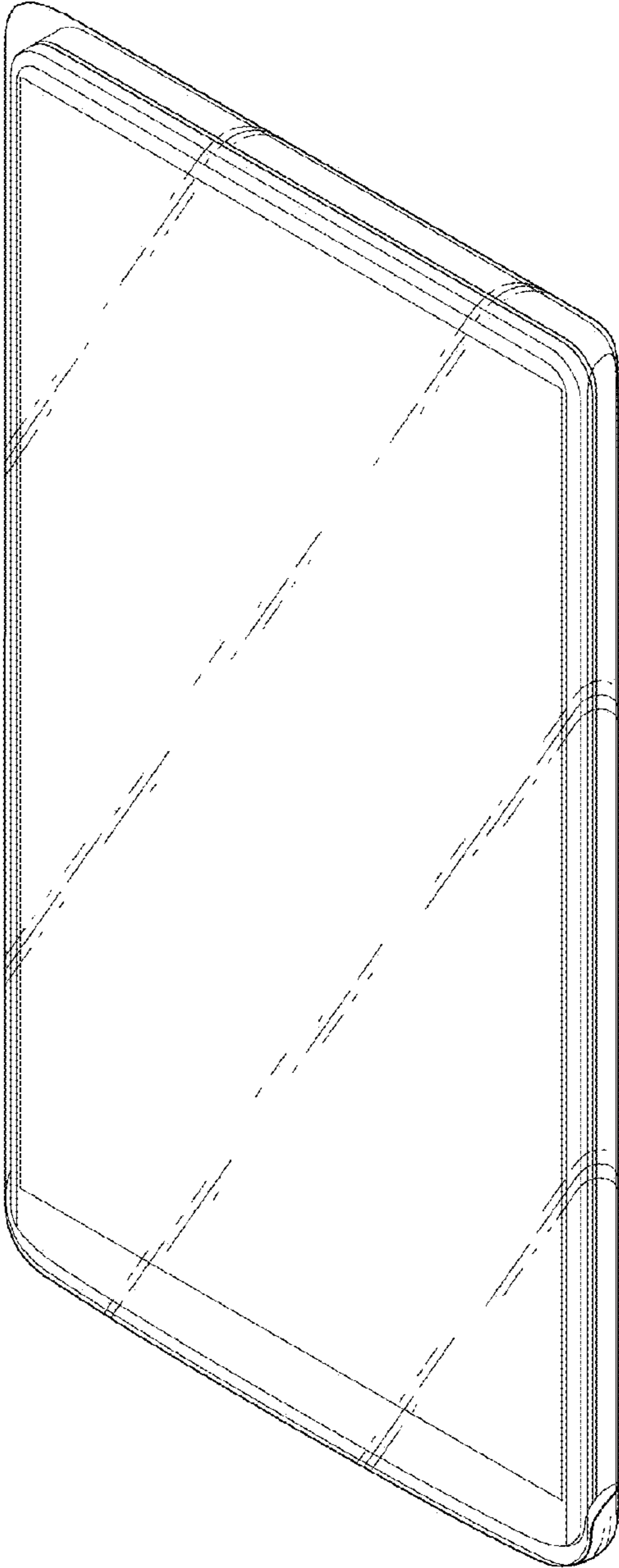


FIG.2

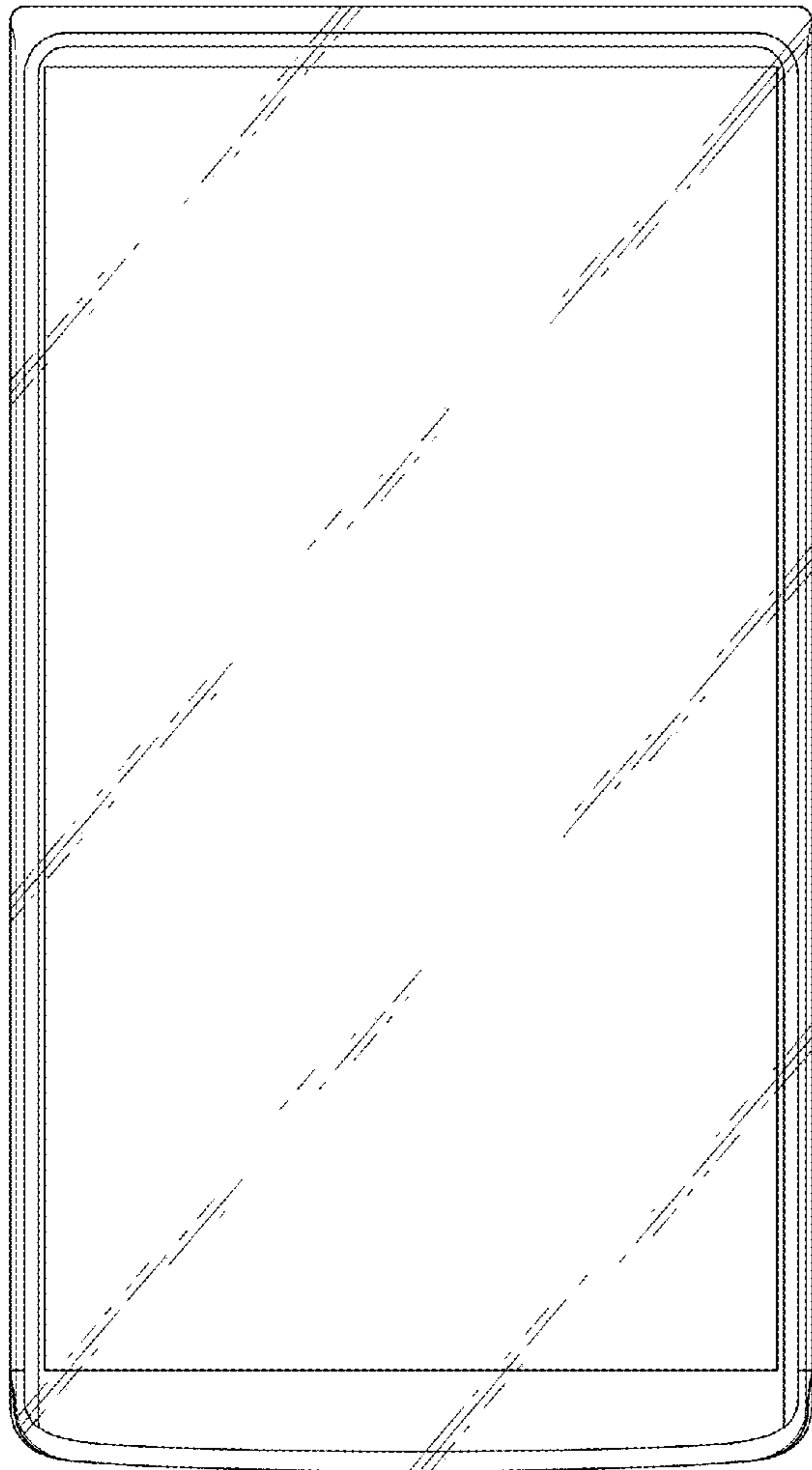


FIG.3

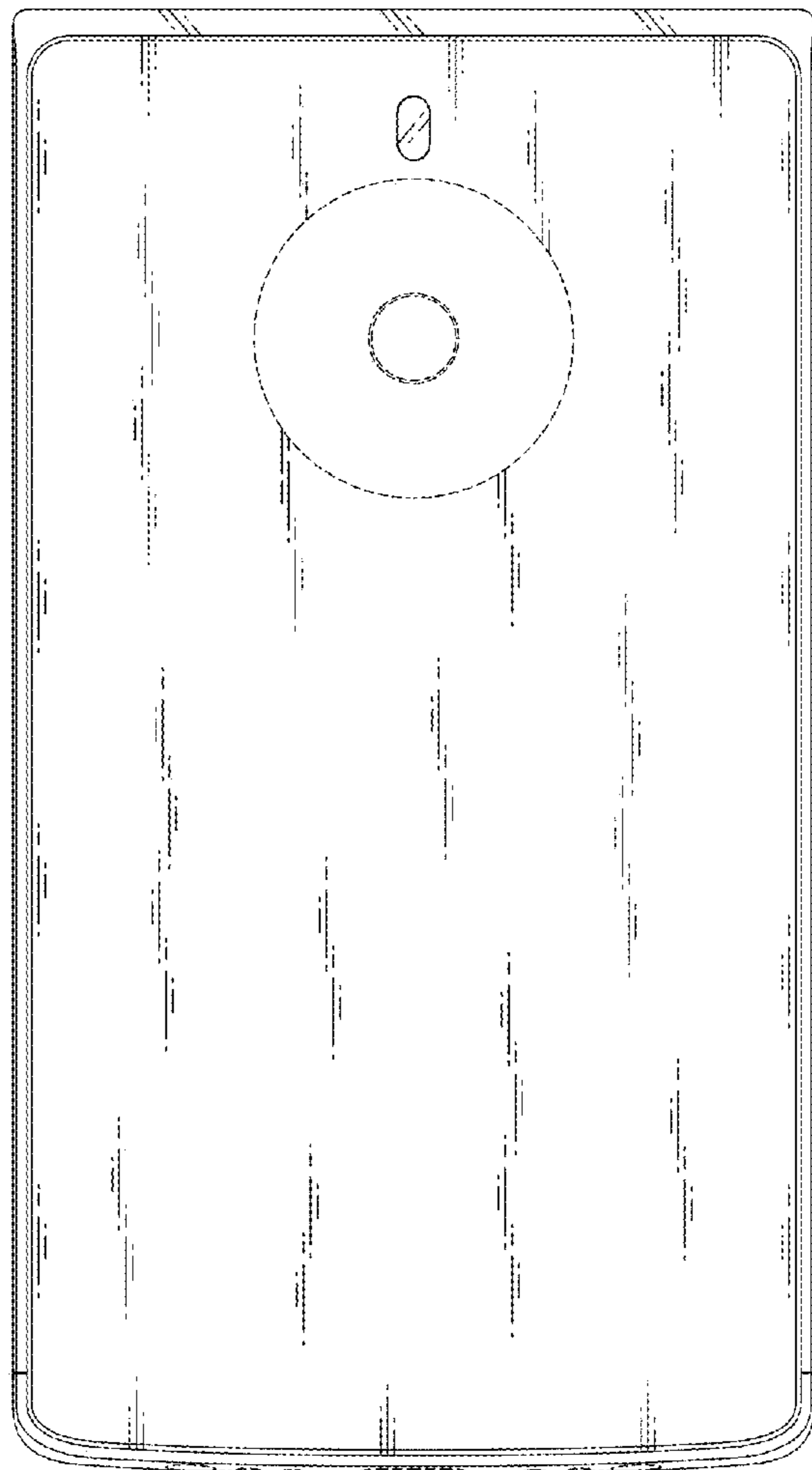


FIG. 4

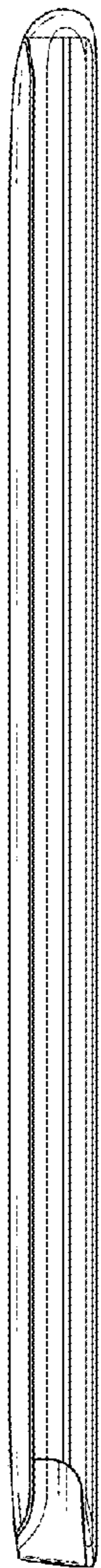


FIG. 5

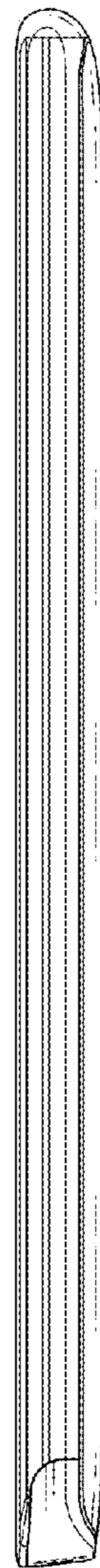


FIG.6

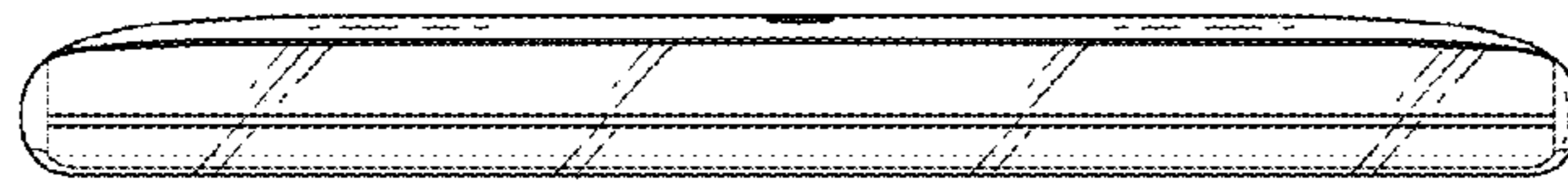


FIG.7

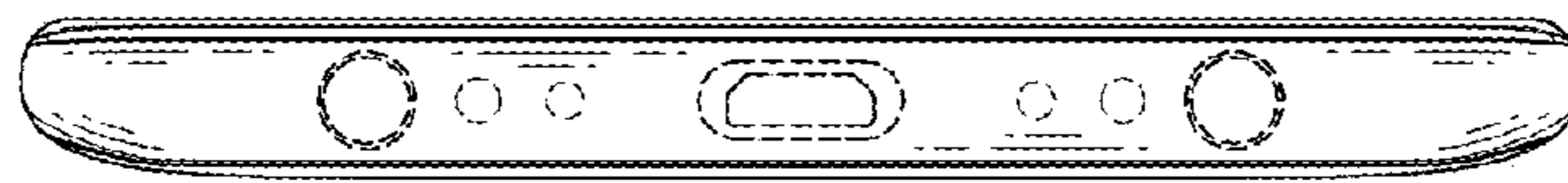


FIG. 8

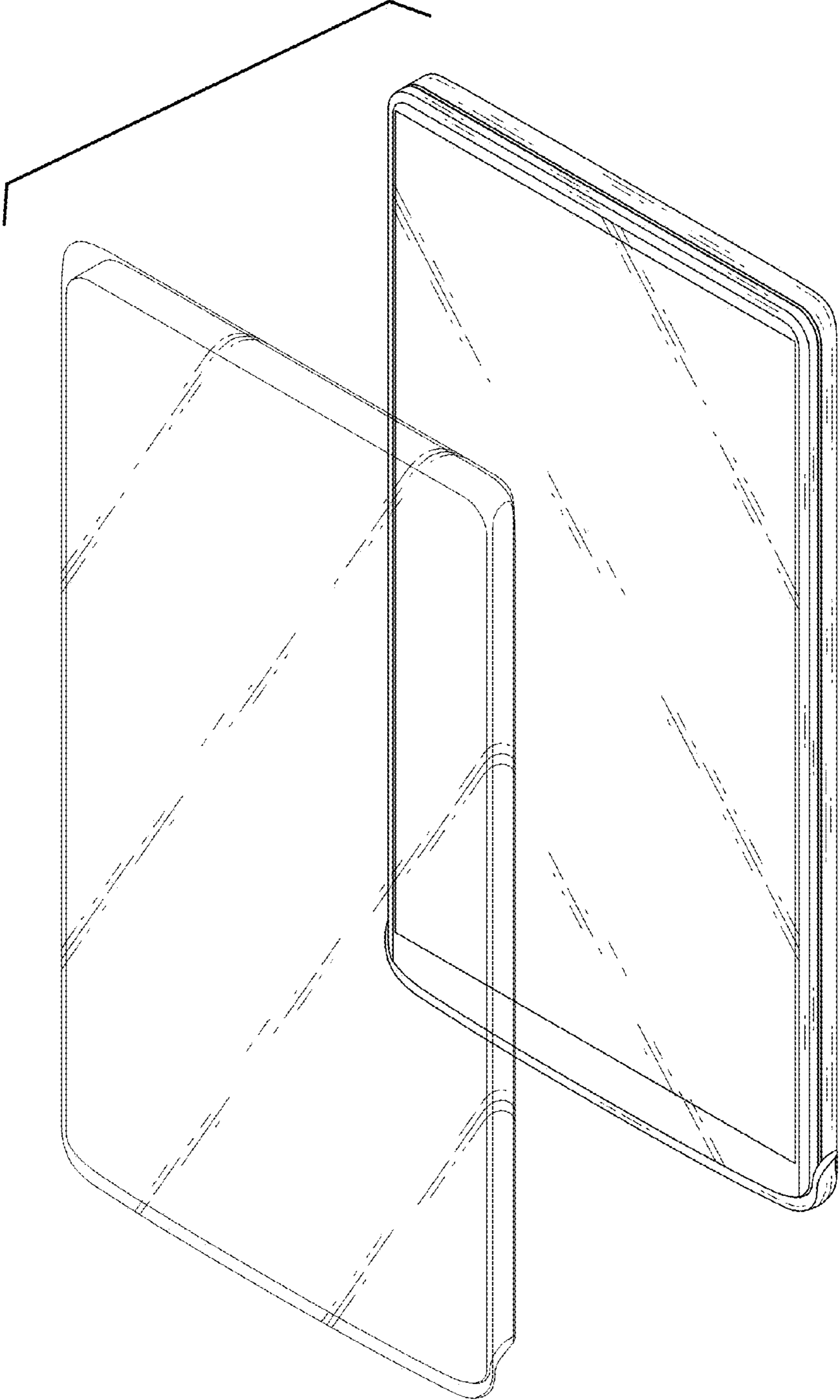


FIG. 9

