



US00D766859S

(12) **United States Design Patent** (10) **Patent No.:** **US D766,859 S**
Won et al. (45) **Date of Patent:** **** Sep. 20, 2016**

(54) **TV RECEIVER**

(56) **References Cited**

(71) Applicant: **LG ELECTRONICS INC.**, Seoul (KR)

U.S. PATENT DOCUMENTS

(72) Inventors: **Hyojin Won**, Seoul (KR); **Hyeyoung Hong**, Seoul (KR); **Yongho Lee**, Seoul (KR); **Hewon Kihl**, Seoul (KR); **Jeongrok Lee**, Seoul (KR); **Junghoon Lee**, Seoul (KR)

D531,591 S *	11/2006	Takatsuki	D14/126
D533,848 S *	12/2006	Lee	D14/126
D551,186 S *	9/2007	Yang	D14/126
D575,248 S *	8/2008	Fujii	D14/126
D619,112 S *	7/2010	Jung	D14/126
D689,836 S *	9/2013	Park	D14/126
D709,044 S *	7/2014	Takami	D14/126
D715,756 S *	10/2014	Lim	D14/126
D742,345 S *	11/2015	Wang	D14/126
D753,079 S *	4/2016	Kim	D14/126
D755,136 S *	5/2016	Jung	D14/126
D755,140 S *	5/2016	Kim	D14/126

(73) Assignee: **LG ELECTRONICS INC.**, Seoul (KR)

* cited by examiner

(**) Term: **15 Years**

Primary Examiner — Raphael Barkai

(21) Appl. No.: **29/531,144**

(74) *Attorney, Agent, or Firm* — Birch, Stewart, Kolasch & Birch, LLP

(22) Filed: **Jun. 23, 2015**

(57) **CLAIM**

(30) **Foreign Application Priority Data**

The ornamental design for a TV receiver, as shown and described.

Dec. 23, 2014 (KR) 30-2014-0062783

DESCRIPTION

(51) **LOC (10) Cl.** **14-03**

FIG. 1 is a front, right side, perspective view of a TV receiver showing our new design;
 FIG. 2 is a front view thereof;
 FIG. 3 is a rear view thereof;
 FIG. 4 is a left side view thereof;
 FIG. 5 is a right side view thereof;
 FIG. 6 is a top view thereof;
 FIG. 7 is a bottom view thereof, and
 FIG. 8 is a front, right side, bottom perspective view thereof;
 and,
 FIG. 9 is an enlarged view of the speaker thereof.

(52) **U.S. Cl.**
USPC **D14/126**

The broken lines indicate unclaimed portion of the article that form no part of the claimed design, and the dash-dot broken lines define the bounds of the claimed design and form no part of the claimed design.

(58) **Field of Classification Search**
 USPC D14/125-134, 239, 371, 136, 374-377, D14/440, 450, 448, 336, 342, 159; 312/7.2; 348/836, 838, 180, 184, 325, 739; 248/917-924, 465; 345/104, 133, 156, 345/168, 87, 173; D21/329, 515, 577, 622, D21/333, 433, 448, 452, 450, 331, 505; D10/15, 26; 446/484, 175, 356; D6/477, 479, 300; D20/10, 19, 39
 CPC . G06F 1/1601; G06F 1/1643; H05K 5/0004; H05K 5/0017; H05K 5/02; H05K 5/0217; H04N 13/0459

See application file for complete search history.

1 Claim, 6 Drawing Sheets

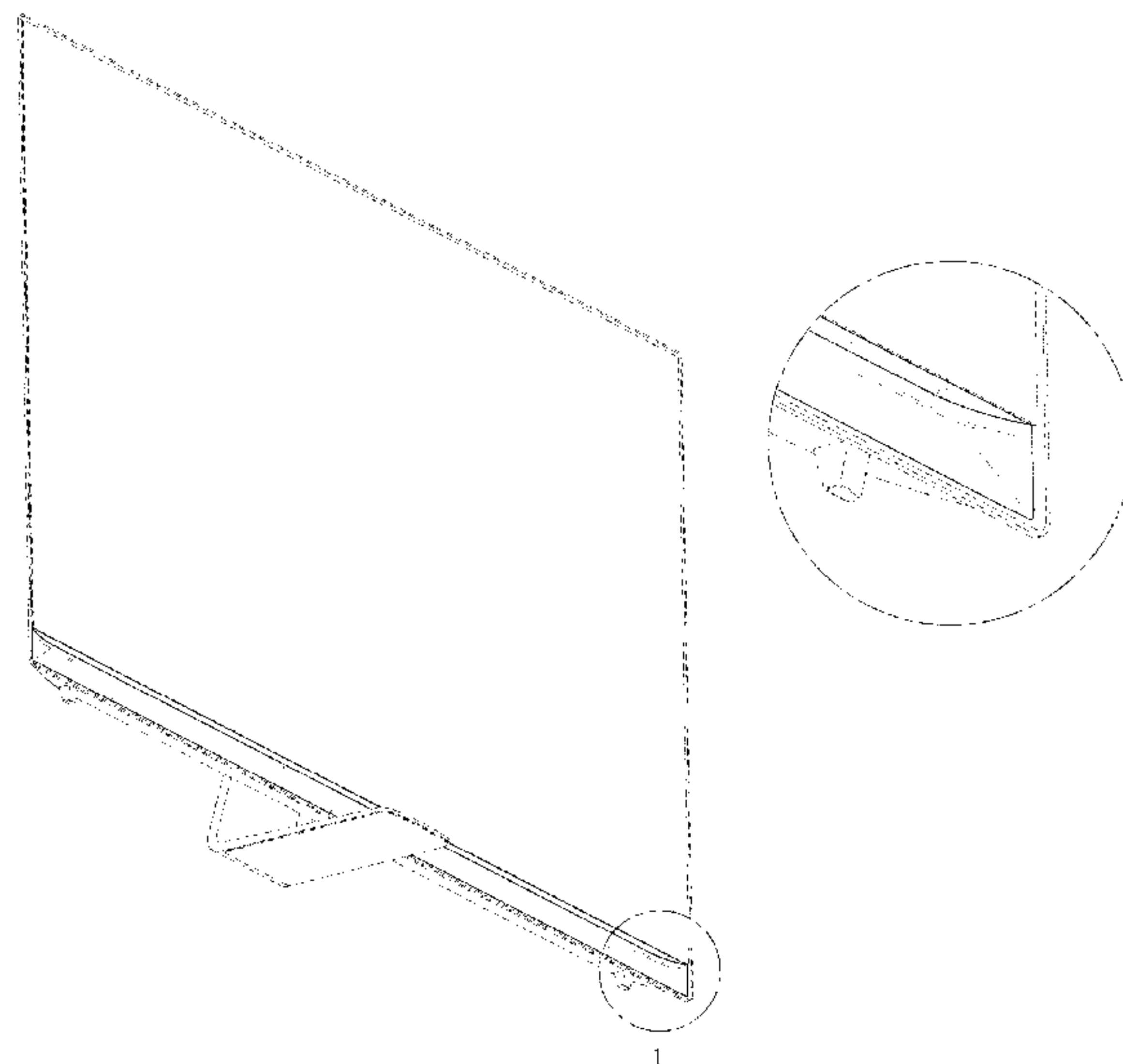


FIG. 1

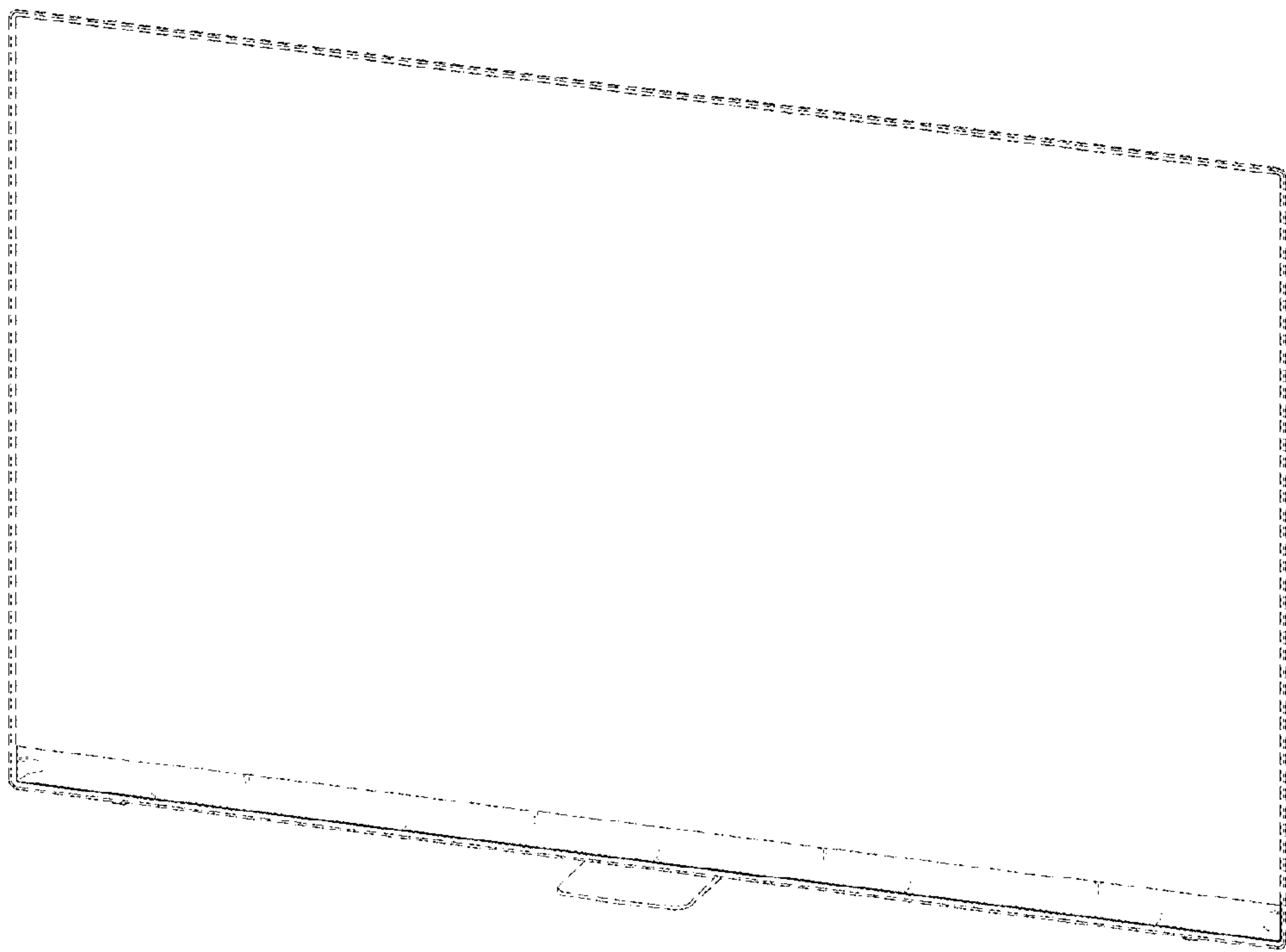


FIG. 2

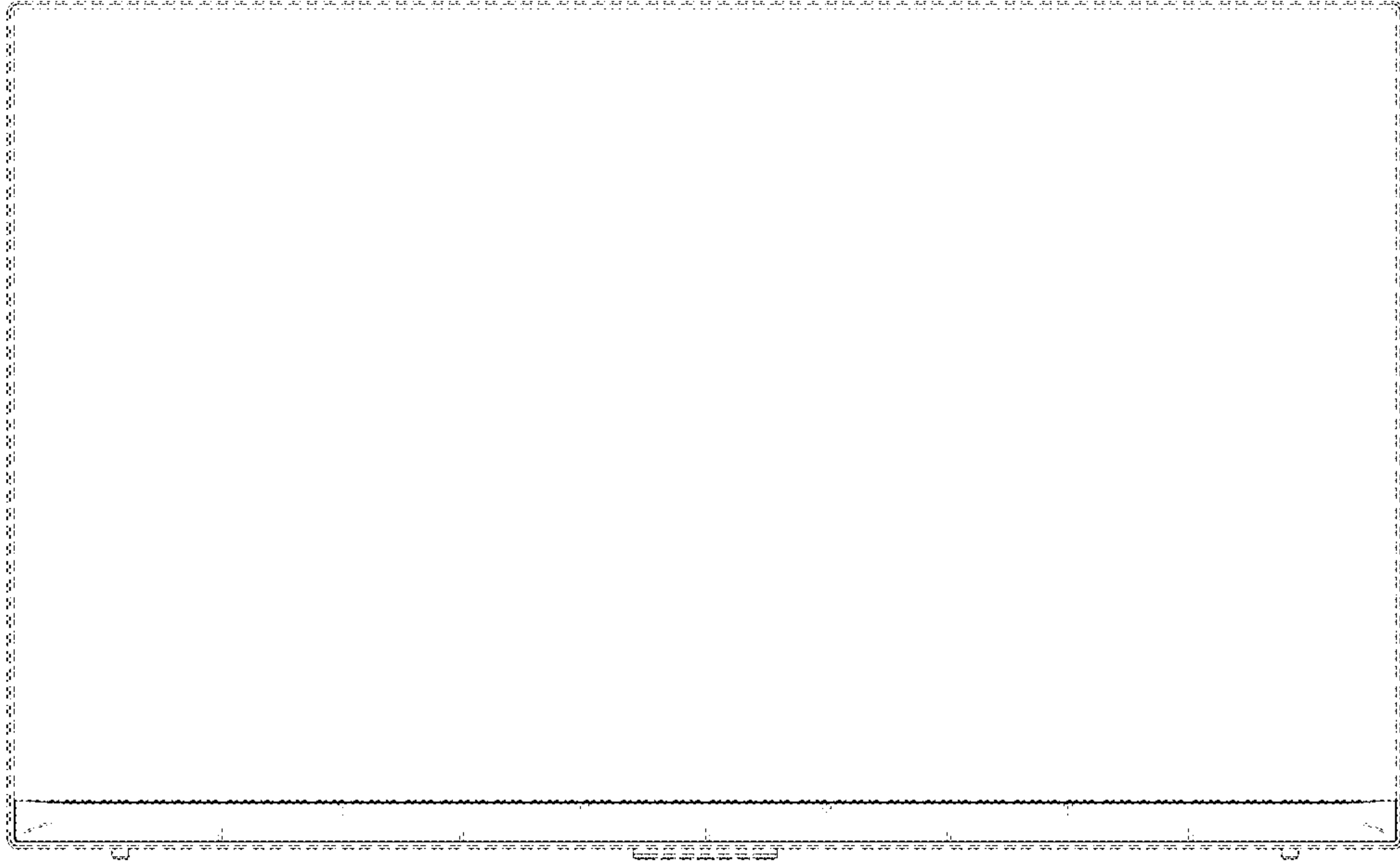


FIG. 3

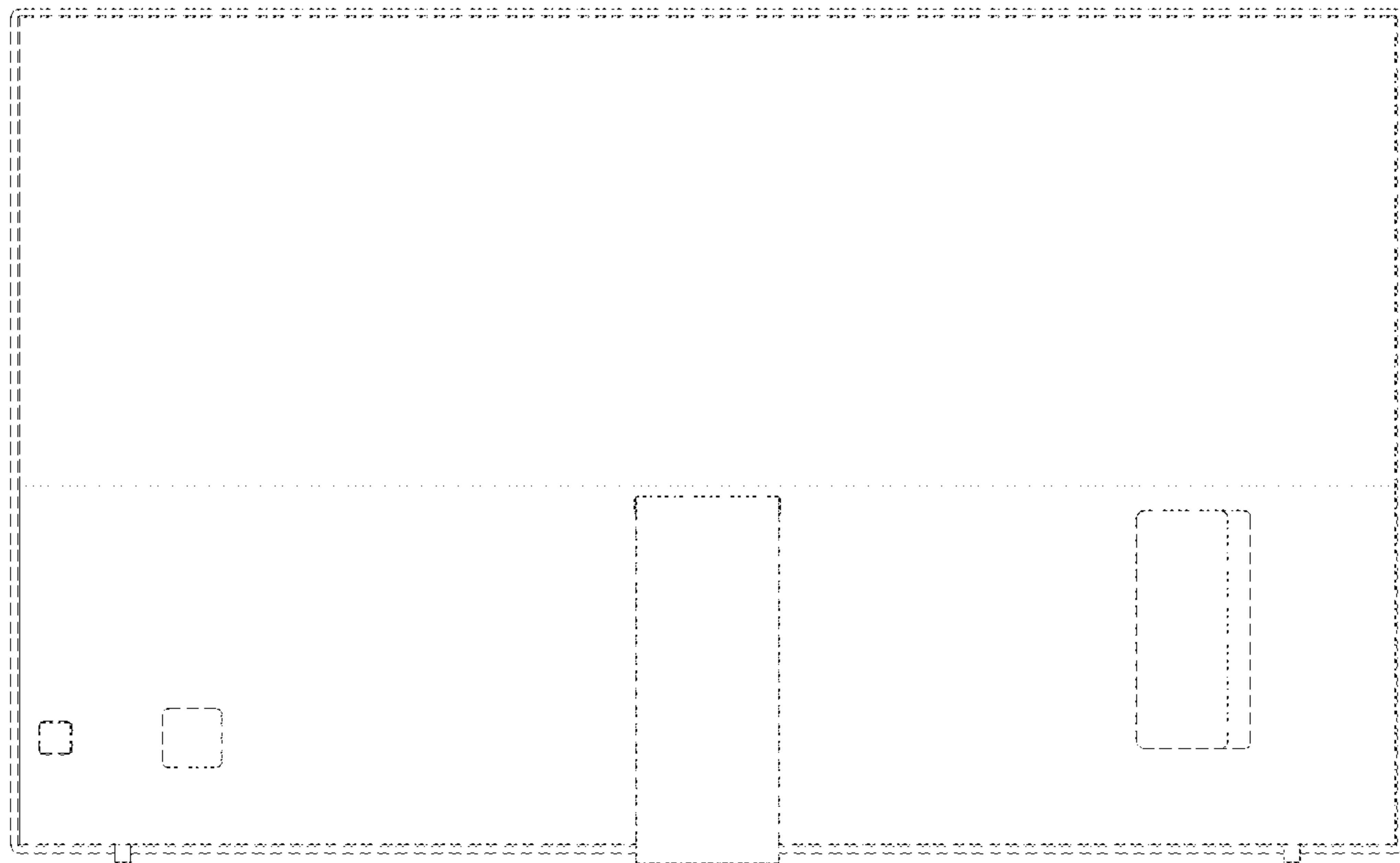


FIG. 4

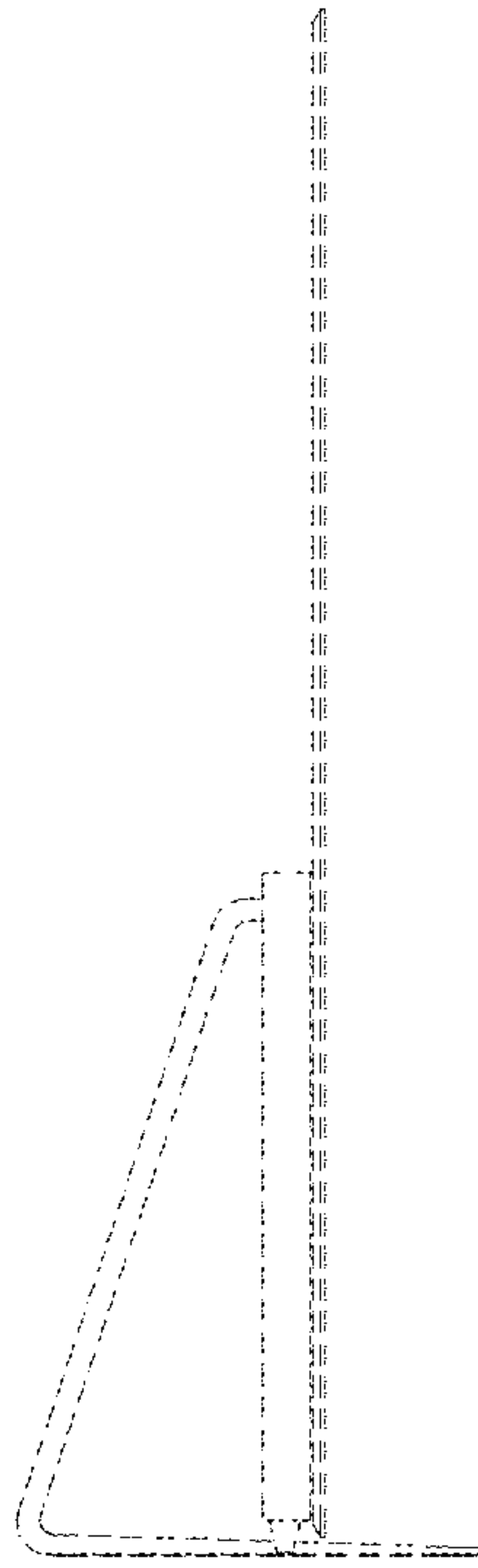


FIG. 5

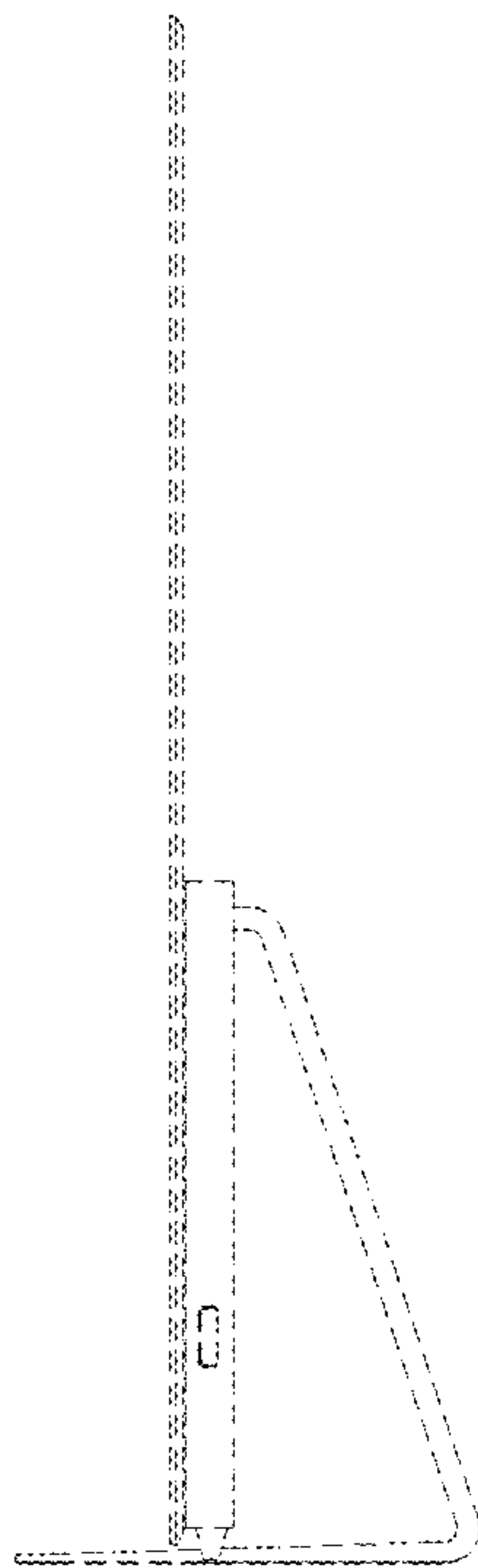


FIG. 6

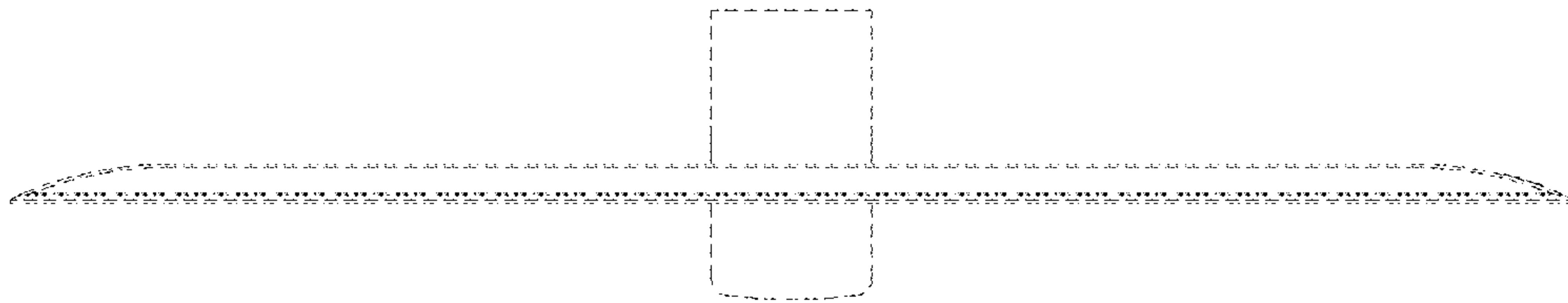


FIG. 7

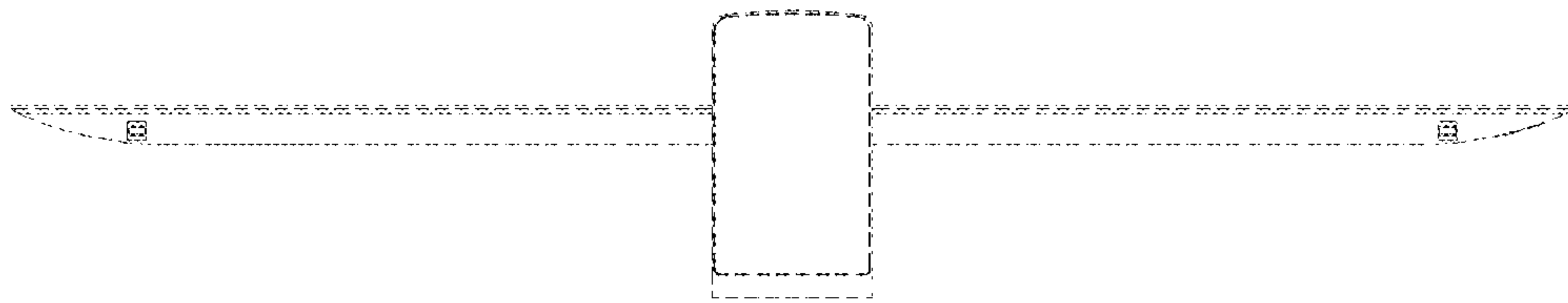


FIG. 8

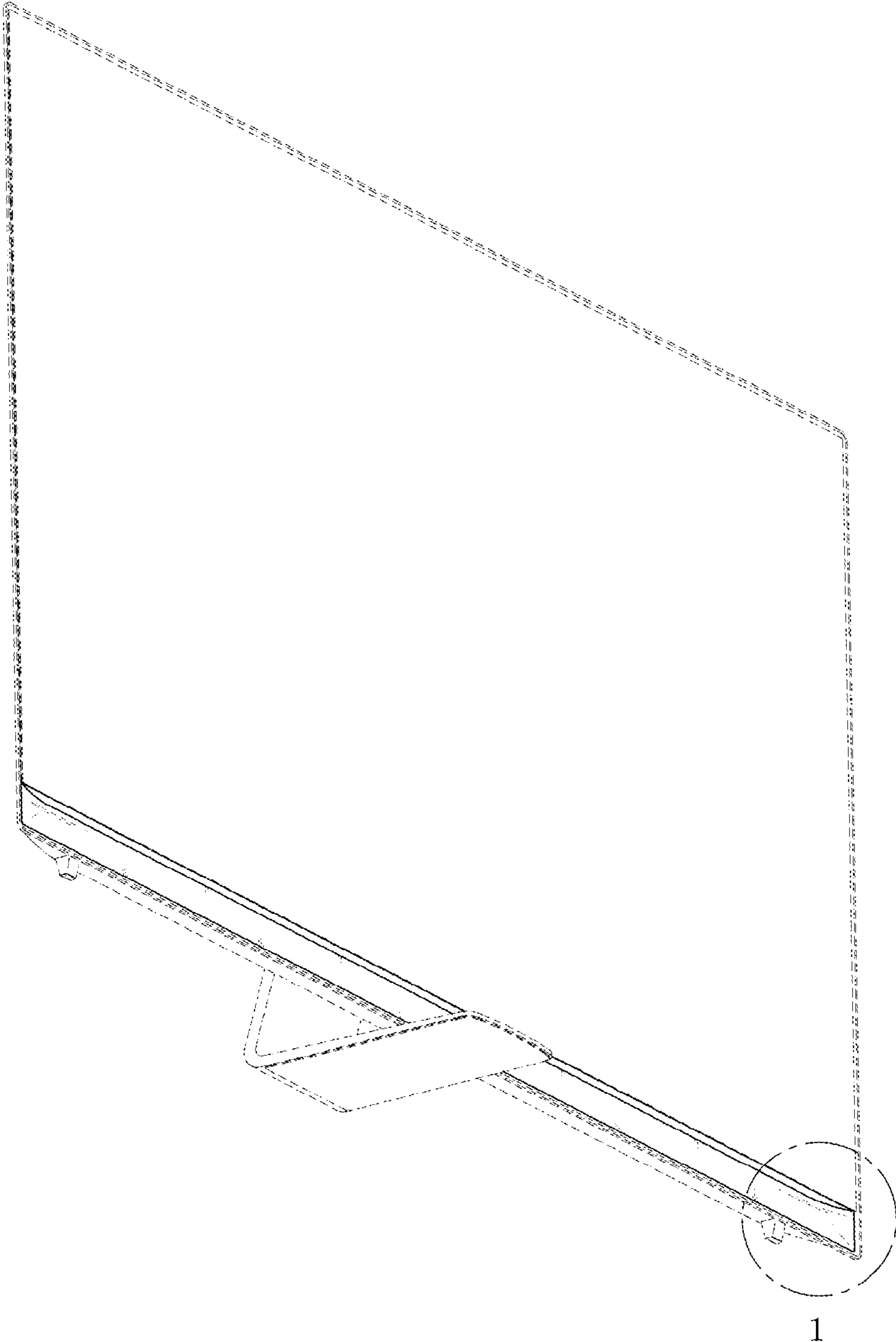


FIG. 9

