



US00D766855S

(12) **United States Design Patent**
Won et al.

(10) **Patent No.: US D766,855 S**

(45) **Date of Patent: ** Sep. 20, 2016**

(54) **TV RECEIVER**

(56) **References Cited**

(71) Applicant: **LG ELECTRONICS INC.**, Seoul (KR)

U.S. PATENT DOCUMENTS

(72) Inventors: **Hyojin Won**, Seoul (KR); **Hyeyoung Hong**, Seoul (KR); **Yongho Lee**, Seoul (KR); **Hewon Kihl**, Seoul (KR); **Kyongtae Han**, Seoul (KR); **Junghoon Lee**, Seoul (KR)

D624,892 S	*	10/2010	Inoue	D14/126
D667,806 S	*	9/2012	Asanuma	D14/126
D669,047 S	*	10/2012	Asanuma	D14/126
D692,844 S	*	11/2013	Seong	D14/126
D709,044 S	*	7/2014	Takami	D14/126
D725,061 S	*	3/2015	Kim	D14/126
D744,437 S	*	12/2015	Lu	D14/126
D755,136 S	*	5/2016	Jung	D14/126
D755,142 S	*	5/2016	Kang	D14/126

(73) Assignee: **LG ELECTRONICS INC.**, Seoul (KR)

* cited by examiner

(**) Term: **15 Years**

Primary Examiner — Raphael Barkai

(21) Appl. No.: **29/529,049**

(74) *Attorney, Agent, or Firm* — Birch, Stewart, Kolasch & Birch, LLP

(22) Filed: **Jun. 3, 2015**

(57) **CLAIM**

(30) **Foreign Application Priority Data**

The ornamental design for a TV receiver, as shown and described.

Dec. 3, 2014 (KR) 30-2014-0058691

(51) **LOC (10) Cl.** **14-03**

(52) **U.S. Cl.**
USPC **D14/126**

(58) **Field of Classification Search**
USPC D14/125-134, 239, 371, 136, 374-377, D14/440, 450, 448, 336, 342, 159; 312/7.2; 348/836, 838, 180, 184, 325, 739; 248/917-924, 465; 345/104, 133, 156, 345/168, 87, 173; D21/329, 515, 577, 622, D21/333, 433, 448, 452, 450, 331, 505; D10/15, 26; 446/484, 175, 356; D6/477, 479, 300; D20/10, 19, 39
CPC ... G06F 1/1601; G06F 1/1643; H05K 5/004; H05K 5/0017; H05K 5/02; H05K 5/0217; H04N 13/0459

DESCRIPTION

FIG. 1 is a front, right side, perspective view of a TV receiver showing our new design; FIG. 2 is a front view thereof; FIG. 3 is a rear view thereof; FIG. 4 is a left side view thereof; FIG. 5 is a right side view thereof; FIG. 6 is a top view thereof; FIG. 7 is a bottom view thereof; FIG. 8 is a front, right side, perspective view of a TV receiver including the 1-1 line thereof; and, FIG. 9 is a cross-section view of the 1-1 line in FIG. 8. The broken lines indicate unclaimed portion of the article that form no part of the claimed design.

See application file for complete search history.

1 Claim, 4 Drawing Sheets

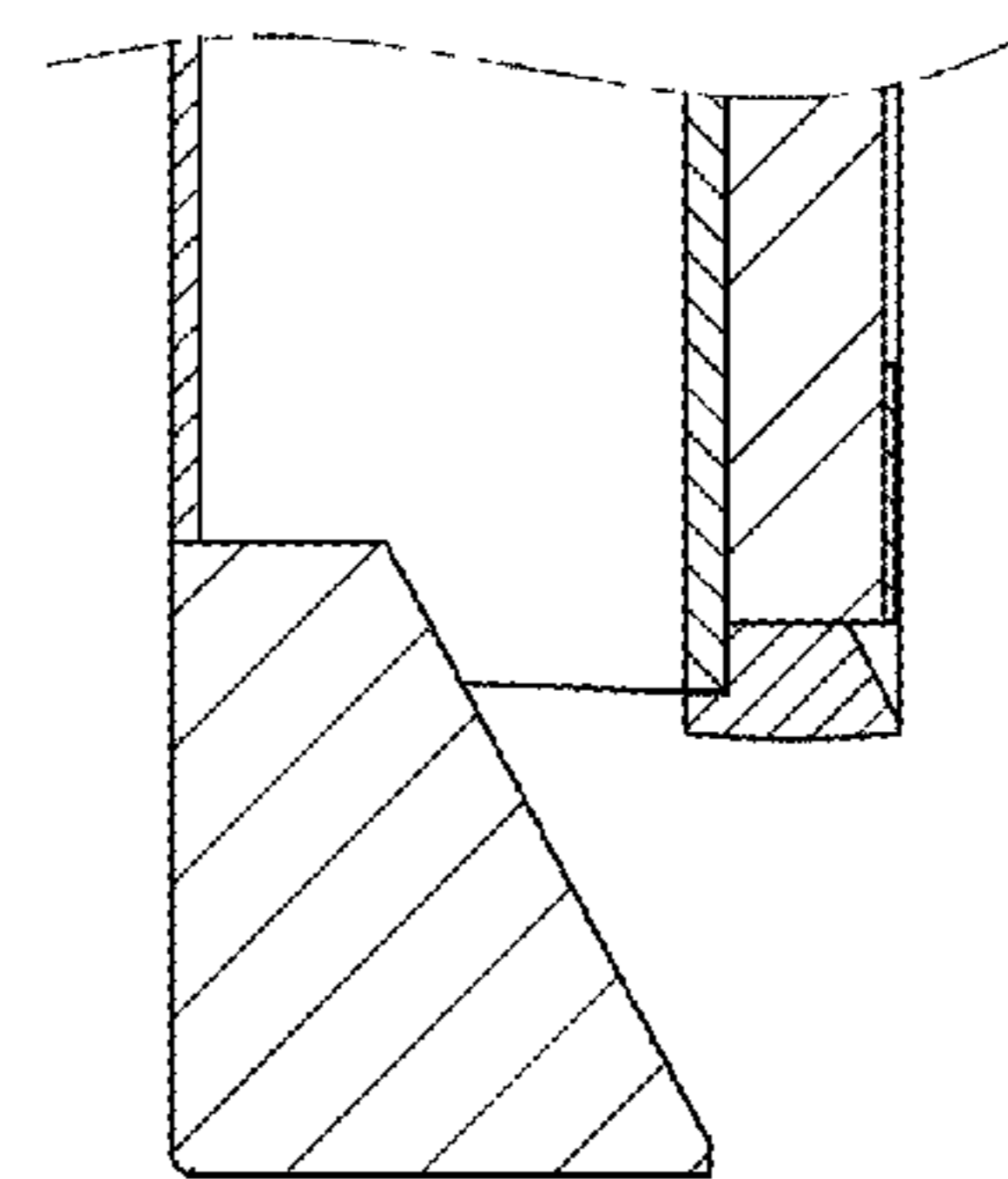
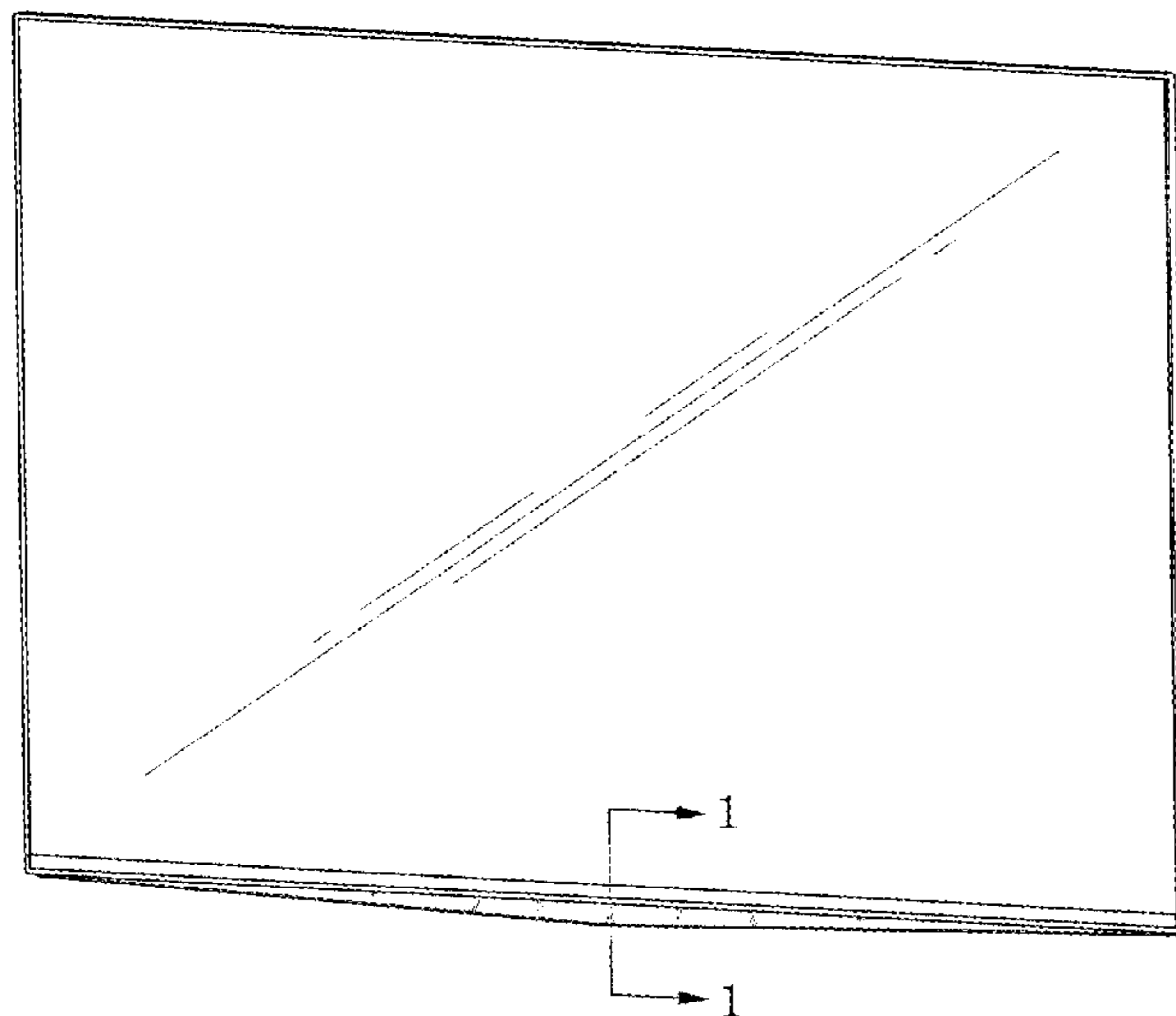


FIG. 1

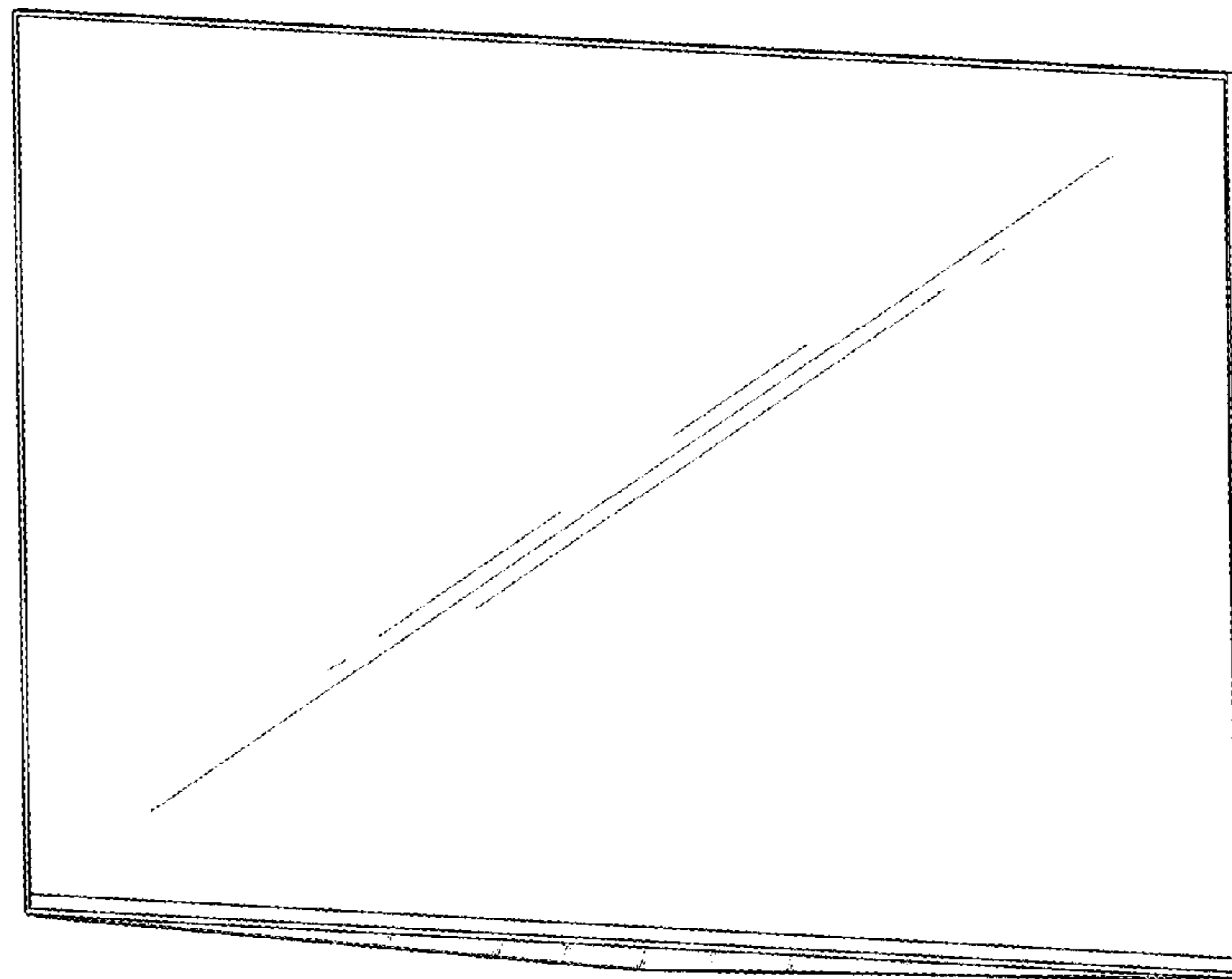


FIG. 2

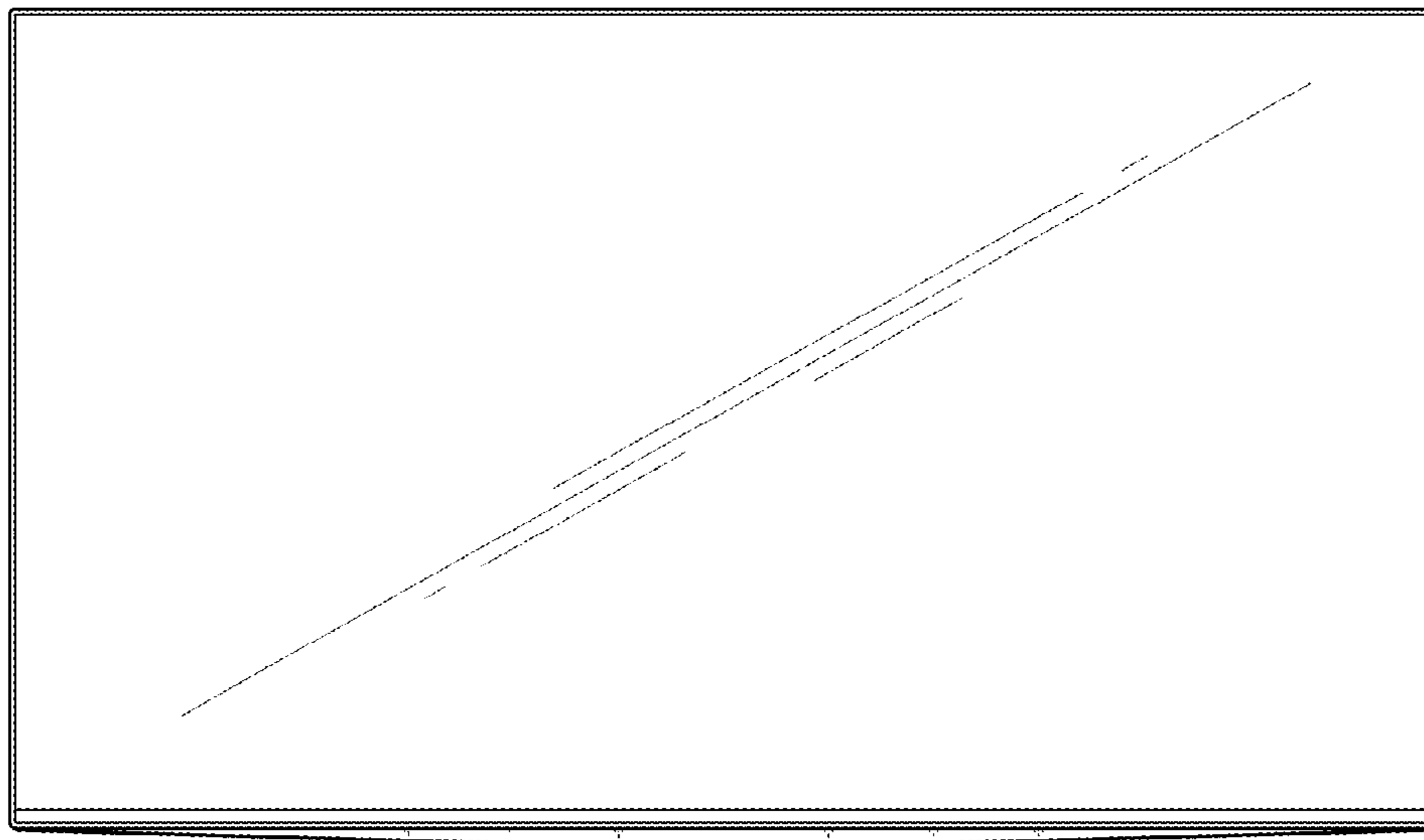


FIG. 3

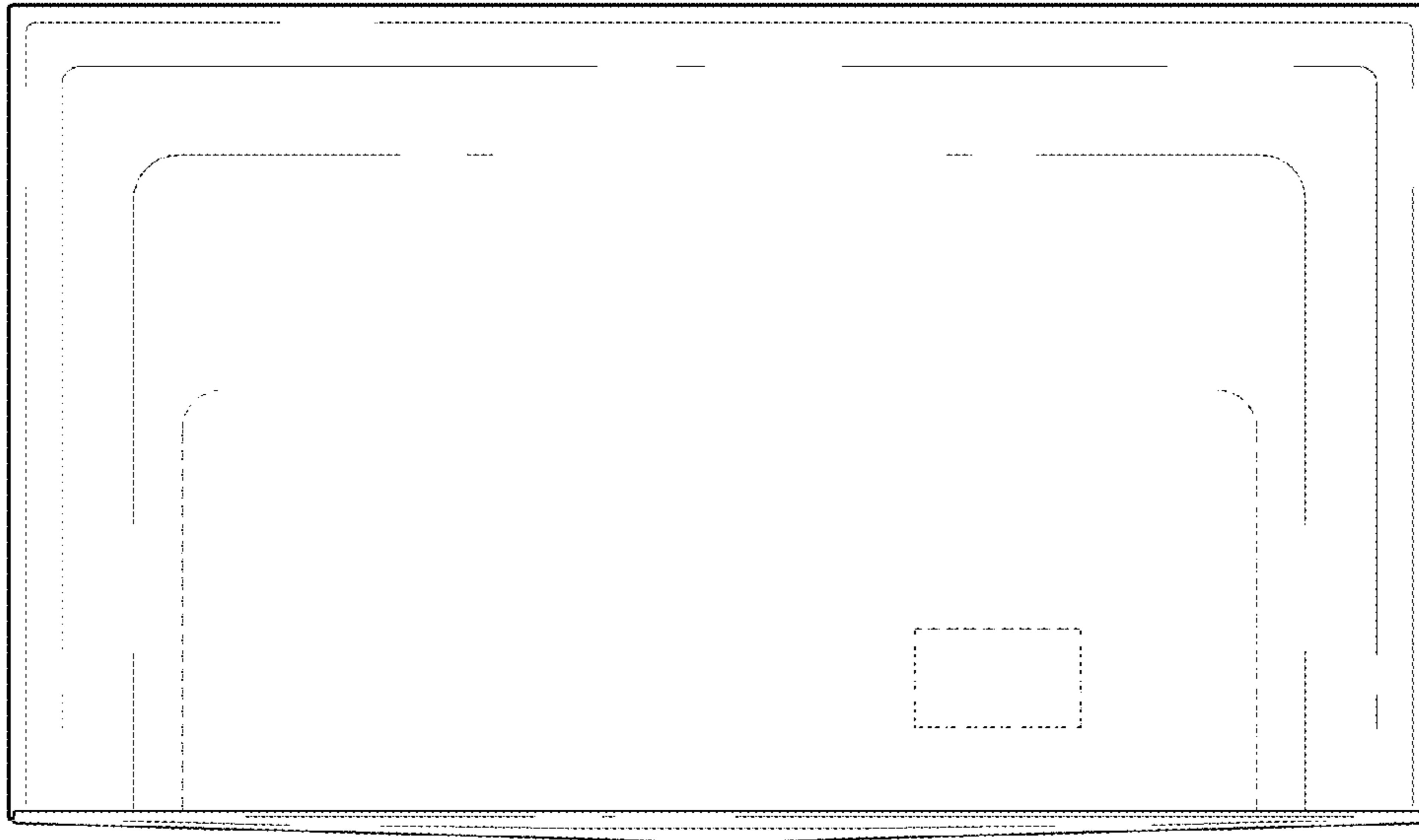


FIG. 4

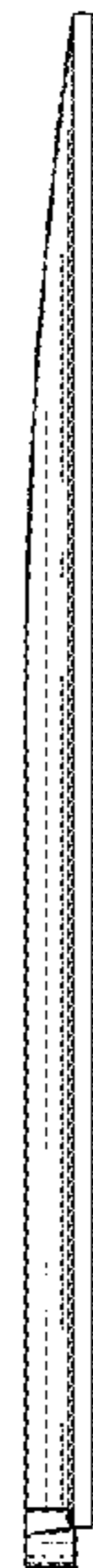


FIG. 5



FIG. 6

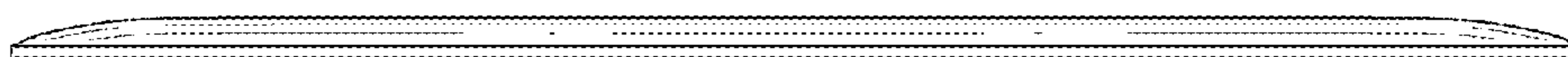


FIG. 7

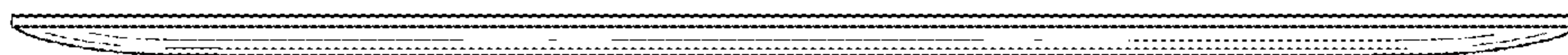


FIG. 8

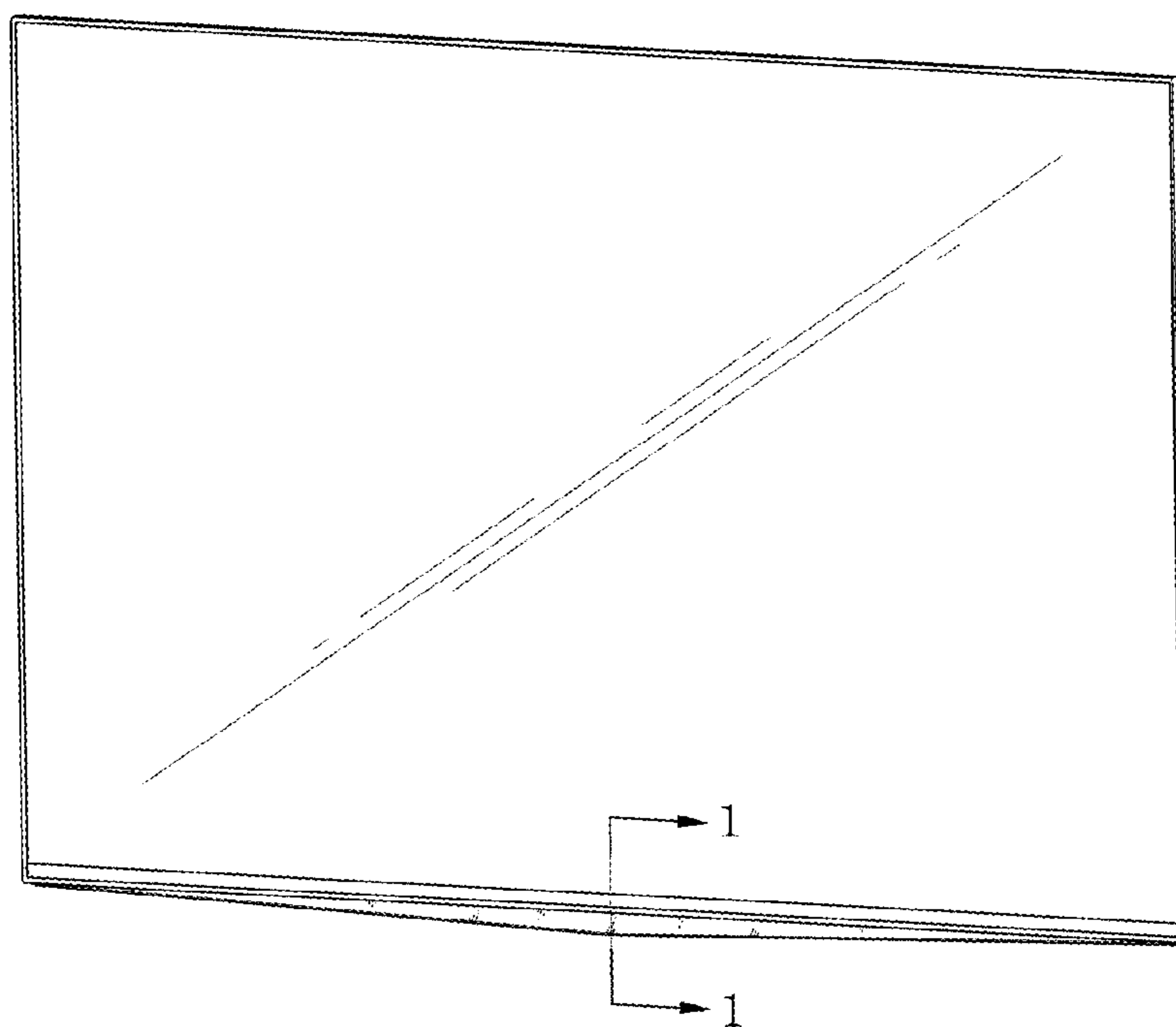


FIG. 9

