



US00D766852S

(12) **United States Design Patent** (10) **Patent No.:** **US D766,852 S**  
**Seo et al.** (45) **Date of Patent:** **\*\* Sep. 20, 2016**

(54) **TV RECEIVER**

(56) **References Cited**

(71) Applicant: **LG ELECTRONICS INC.**, Seoul (KR)

U.S. PATENT DOCUMENTS

(72) Inventors: **Minji Seo**, Seoul (KR); **Younsoo Kim**, Seoul (KR); **Yoonkyeong Lee**, Seoul (KR); **Byungmu Huh**, Seoul (KR)

D548,206 S *	8/2007	Han	.....	D14/126
D720,316 S *	12/2014	Huh	.....	D14/126
D724,042 S *	3/2015	Chang	.....	D14/126
D728,501 S *	5/2015	Kim	.....	D14/126
D733,081 S *	6/2015	Won	.....	D14/126
D735,152 S *	7/2015	Cha	.....	D14/126
D751,520 S *	3/2016	Seo	.....	D14/126
D755,137 S *	5/2016	Won	.....	D14/126

(73) Assignee: **LG ELECTRONICS INC.**, Seoul (KR)

\* cited by examiner

(\*\*) Term: **15 Years**

*Primary Examiner* — Raphael Barkai

(21) Appl. No.: **29/528,926**

(74) *Attorney, Agent, or Firm* — Birch, Stewart, Kolasch & Birch, LLP

(22) Filed: **Jun. 2, 2015**

(30) **Foreign Application Priority Data**

Dec. 2, 2014 (KR) ..... 30-2014-0058581

(51) **LOC (10) Cl.** ..... **14-03**

(57) **CLAIM**

The ornamental design for a TV receiver, as shown and described.

(52) **U.S. Cl.**

USPC ..... **D14/126**

**DESCRIPTION**

(58) **Field of Classification Search**

USPC ..... D14/125-134, 239, 371, 136, 374-377, D14/440, 450, 448, 336, 342, 159; 312/7.2; 348/836, 838, 180, 184, 325, 739; 248/917-924, 465; 345/104, 133, 156, 345/168, 87, 173; D21/329, 515, 577, 622, D21/333, 433, 448, 452, 450, 331, 505; D10/15, 26; 446/484, 175, 356; D6/477, 479, 300; D20/10, 19, 39  
CPC . G06F 1/1601; G06F 1/1643; H05K 5/0004; H05K 5/0017; H05K 5/02; H05K 5/0217; H04N 13/0459

FIG. 1 is a front, right side, perspective view of a TV receiver showing our new design; FIG. 2 is a front view thereof; FIG. 3 is a rear view thereof; FIG. 4 is a left side view thereof; FIG. 5 is a right side view thereof; FIG. 6 is a top view thereof; and, FIG. 7 is a bottom view thereof.

The broken lines indicate unclaimed portion of the article that form no part of the claimed design.

See application file for complete search history.

**1 Claim, 4 Drawing Sheets**

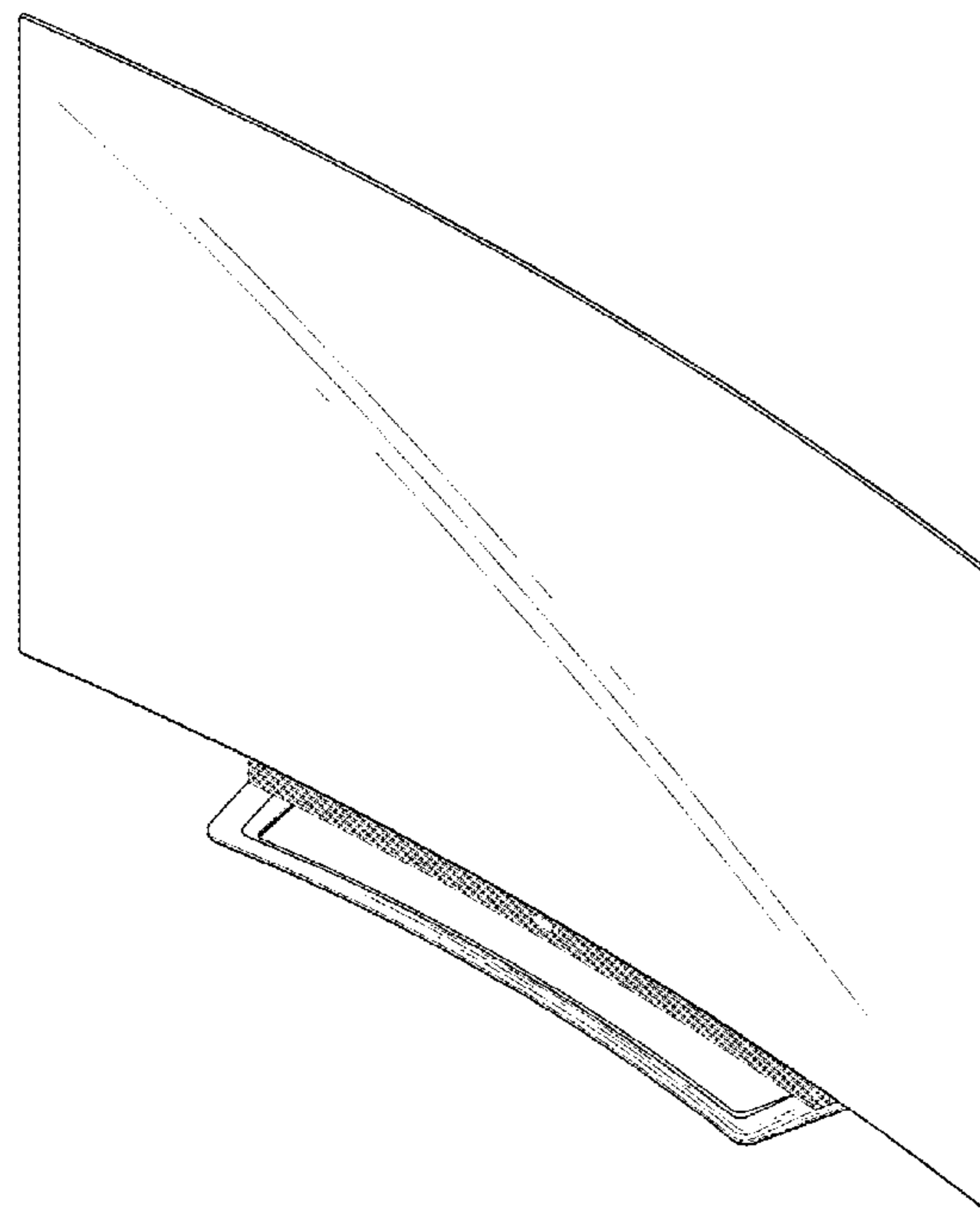


FIG. 1

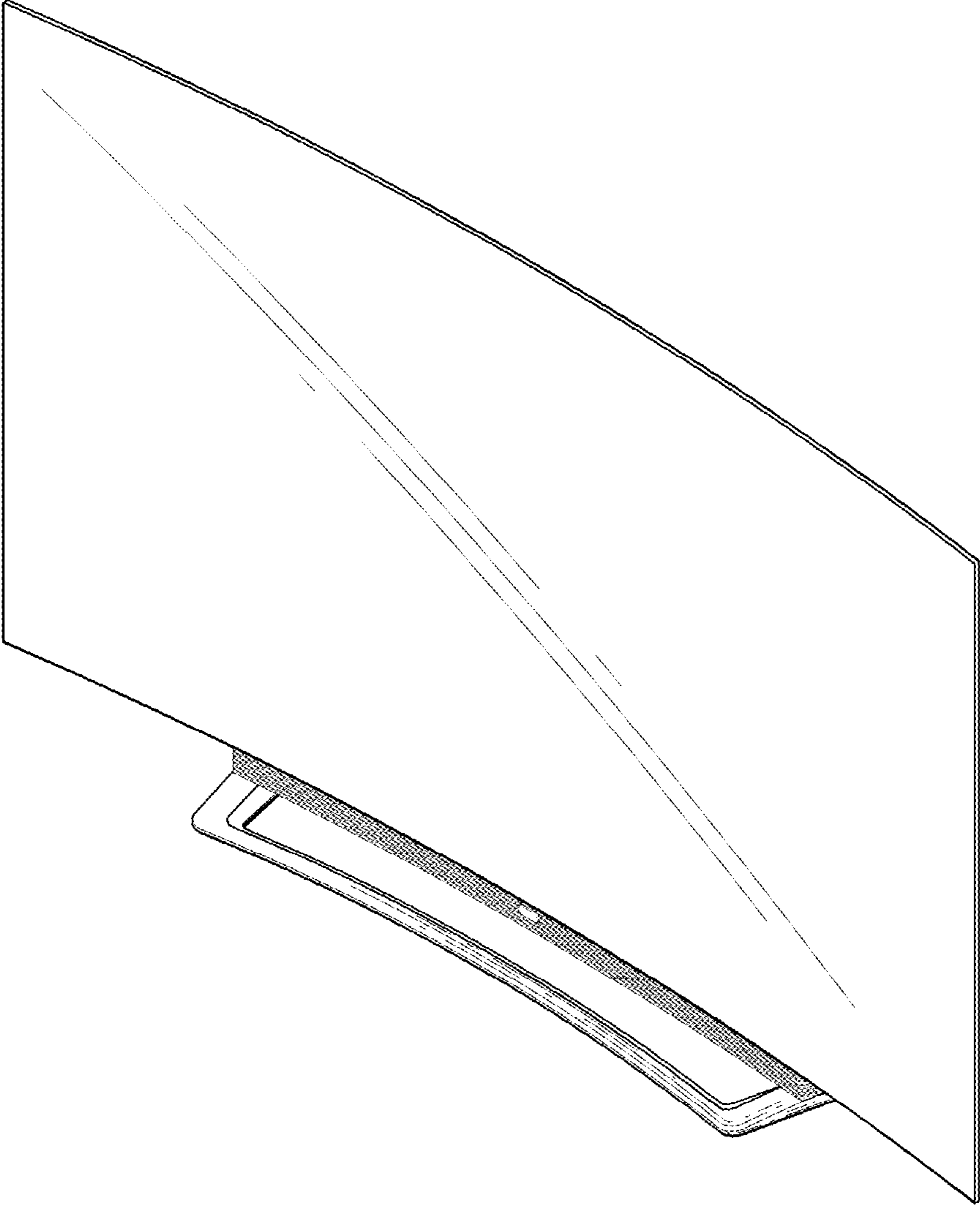


FIG. 2

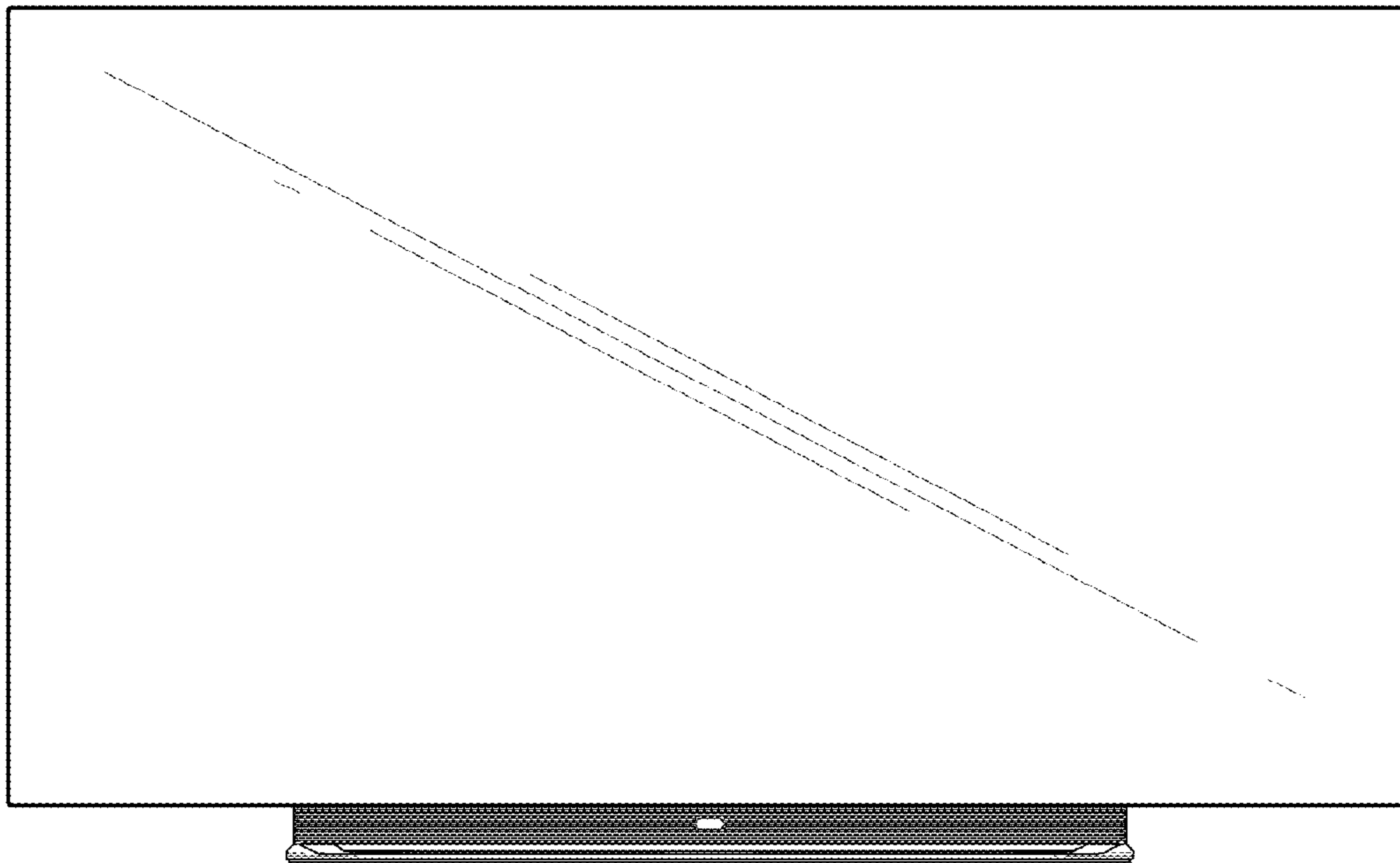


FIG. 3

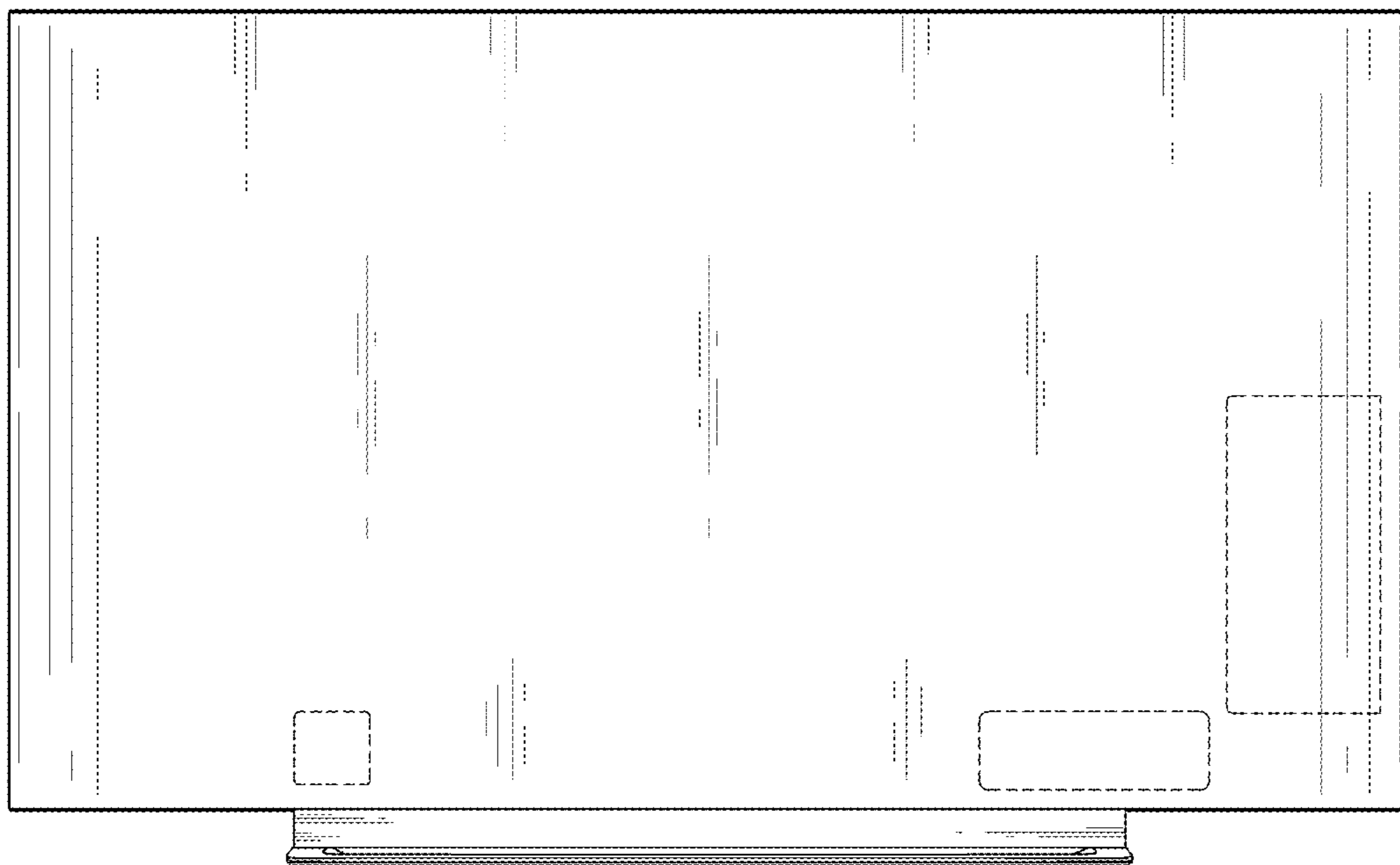


FIG. 4

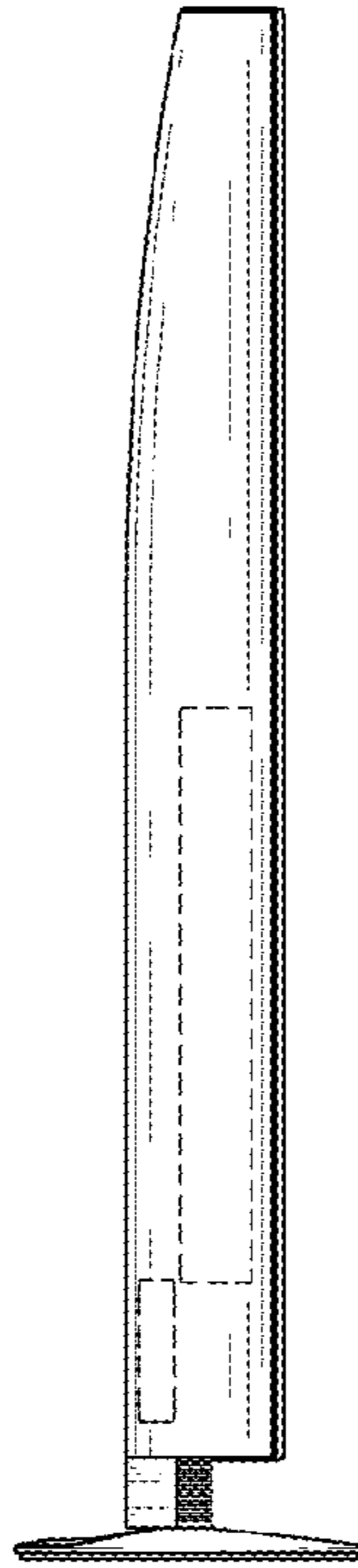


FIG. 5

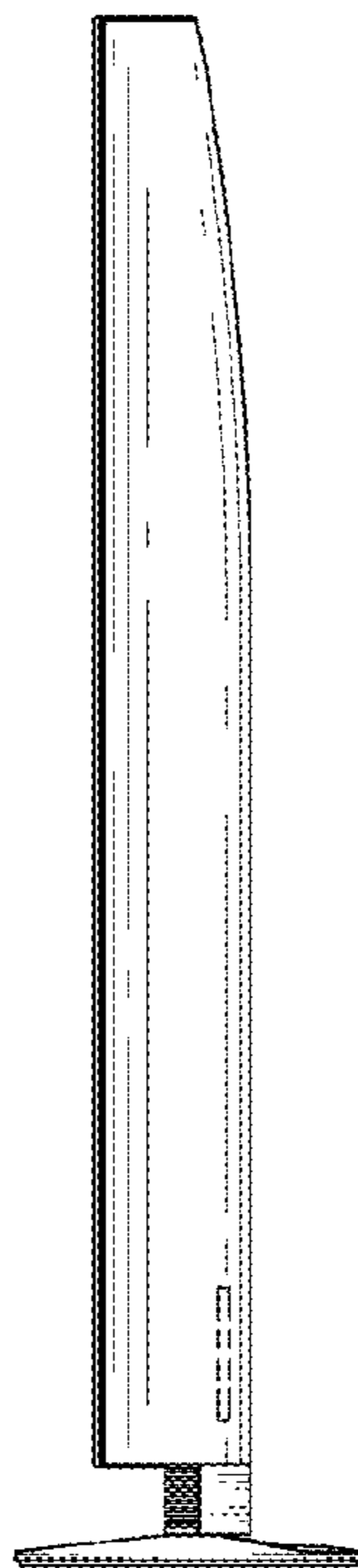


FIG. 6

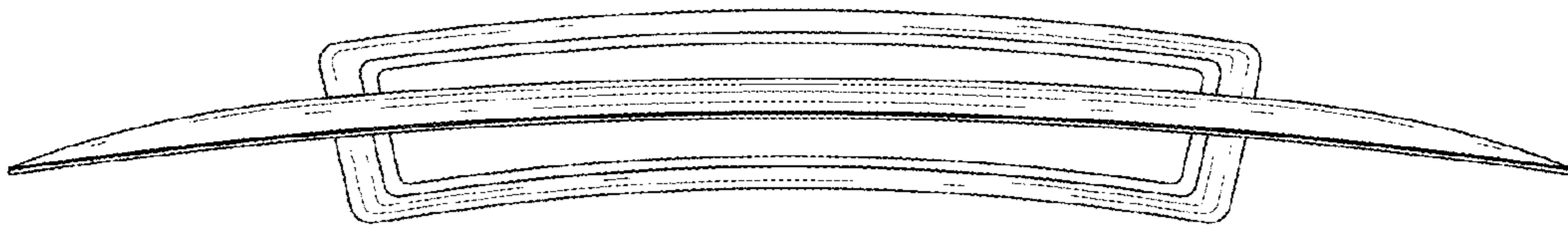


FIG. 7

