

US00D766849S

(12) **United States Design Patent**
Fukushima et al.

(10) **Patent No.:** **US D766,849 S**

(45) **Date of Patent:** **** Sep. 20, 2016**

- (54) **SUBSTRATE RETAINING RING**
- (71) Applicant: **EBARA CORPORATION**, Tokyo (JP)
- (72) Inventors: **Makoto Fukushima**, Tokyo (JP);
Hozumi Yasuda, Tokyo (JP); **Keisuke Namiki**, Tokyo (JP); **Osamu Nabeya**, Tokyo (JP); **Shingo Togashi**, Tokyo (JP); **Satoru Yamaki**, Tokyo (JP)
- (73) Assignee: **EBARA CORPORATION**, Tokyo (JP)

6,068,548	A *	5/2000	Vote	B24B 37/32 451/287
6,186,880	B1 *	2/2001	Gonzalez	B24B 37/32 451/285
6,224,472	B1 *	5/2001	Lai	B24B 37/32 451/288
6,264,540	B1 *	7/2001	Fruitman	B24B 37/32 451/288
6,602,116	B1 *	8/2003	Prince	B24B 37/30 156/345.12
6,869,335	B2 *	3/2005	Taylor	B24B 37/32 451/285
7,029,375	B2 *	4/2006	Phang	B24B 37/32 451/285

(**) Term: **14 Years**

(Continued)

(21) Appl. No.: **29/472,350**

FOREIGN PATENT DOCUMENTS

(22) Filed: **Nov. 12, 2013**

TW	D 130502 S	8/2009
TW	D 132339 S	12/2009

(30) **Foreign Application Priority Data**

(Continued)

May 15, 2013	(JP)	2013-10671
Jun. 14, 2013	(JP)	2013-13457
Oct. 30, 2013	(JP)	2013-25259

Primary Examiner — Elizabeth J Oswecki
(74) *Attorney, Agent, or Firm* — Pearne & Gordon LLP

- (51) **LOC (10) Cl.** **13-03**
- (52) **U.S. Cl.**
USPC **D13/182**

(57) **CLAIM**

The ornamental design for a substrate retaining ring, as shown and described.

- (58) **Field of Classification Search**
USPC D13/182; 156/345.12, 345.13, 345.14;
451/173, 177, 28, 282, 285, 286, 287,
451/288, 289, 296, 297, 307, 398, 41, 443,
451/51
CPC B24B 1/00; B24B 1/002; B24B 1/005;
B24B 1/007; B24B 1/04; B24B 29/00;
B24B 37/27; B24B 37/30; B24B 37/32;
B24B 7/22; B24B 5/00

DESCRIPTION

See application file for complete search history.

FIG. 1 is a top perspective view of a first embodiment of a substrate retaining ring showing our new design; FIG. 2 is a bottom perspective view thereof; FIG. 3 is a top plan view thereof; FIG. 4 is a bottom plan view thereof; FIG. 5 is a side view thereof, with the ring being radially symmetrical about a vertical axis; FIG. 6 is a top perspective view of a second embodiment of a substrate retaining ring showing our new design; FIG. 7 is a bottom perspective view thereof; FIG. 8 is a top plan view thereof; FIG. 9 is a bottom plan view thereof; and, FIG. 10 is a side view thereof, with the ring being radially symmetrical about a vertical axis.

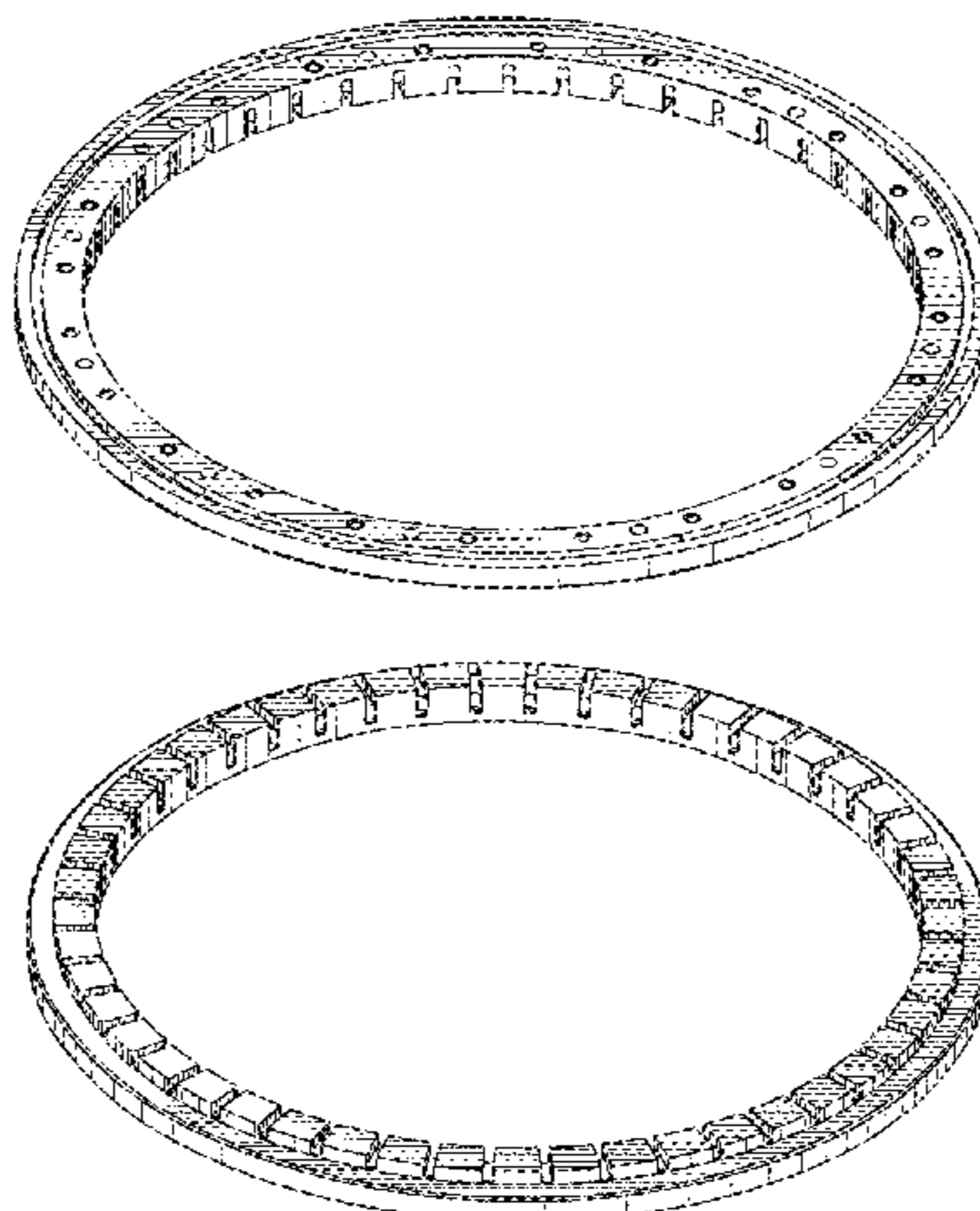
The broken lines shown in the drawings represent portions of the substrate retaining ring that form no part of the claimed design.

(56) **References Cited**

U.S. PATENT DOCUMENTS

5,205,082	A *	4/1993	Shendon	B24B 37/30 451/283
5,944,593	A *	8/1999	Chiu	B24B 37/042 451/288

1 Claim, 6 Drawing Sheets



(56)

References Cited

U.S. PATENT DOCUMENTS

7,029,386 B2 * 4/2006 Young B24B 37/32
451/285
7,160,493 B2 * 1/2007 Willis B24B 37/32
264/162
7,186,171 B2 * 3/2007 Oh B24B 37/32
451/285
D548,705 S * 8/2007 Hayashi D13/182
7,326,105 B2 * 2/2008 Chandrasekaran B24B 37/32
451/285
7,344,434 B2 * 3/2008 Chen B24B 37/32
451/285
7,459,057 B2 * 12/2008 Zuniga B24B 37/28
156/345.14
7,597,609 B2 * 10/2009 Wang B24B 37/32
451/288
7,819,723 B2 * 10/2010 Nakamura B24B 37/32
451/288
8,298,046 B2 * 10/2012 Frank, Jr. B24B 37/32
451/286

8,517,803 B2 * 8/2013 Sather B24B 37/32
451/286
D699,200 S * 2/2014 Nagakubo D13/182
D709,536 S * 7/2014 Yoshimura D15/138
D709,537 S * 7/2014 Kuwabara D15/138
D709,538 S * 7/2014 Mizukami D15/138
D709,539 S * 7/2014 Kuwabara D15/138
D716,742 S * 11/2014 Jang D13/182
D724,553 S * 3/2015 Choi D13/182
D734,377 S * 7/2015 Hirakida D15/138

FOREIGN PATENT DOCUMENTS

TW D 132340 S 12/2009
TW D 138369 S 12/2010
TW D 140827 S 6/2011
TW D 140828 S 6/2011
TW D 140829 S 6/2011
TW D 140830 S 6/2011

* cited by examiner

FIG. 1

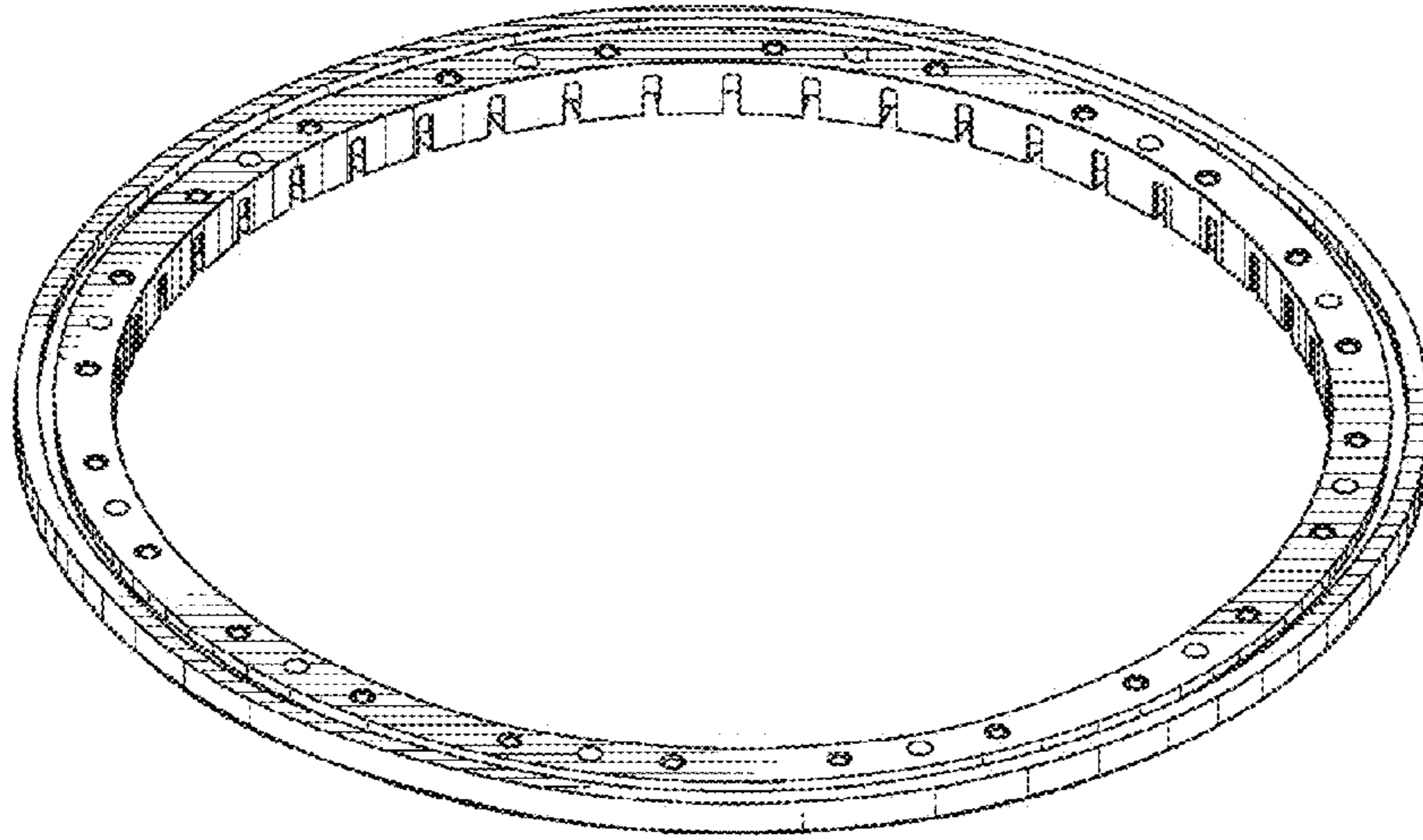


FIG. 2

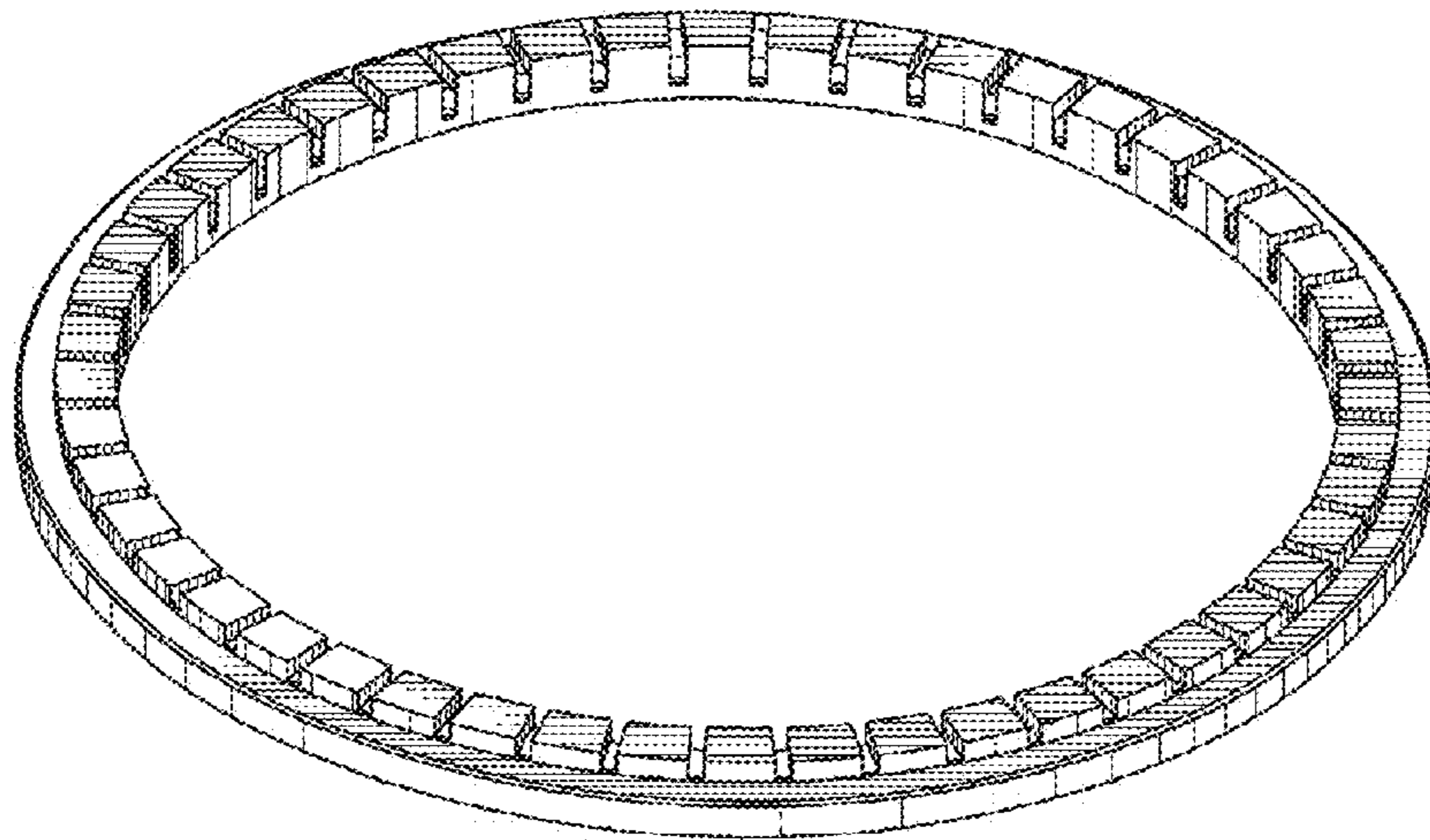


FIG. 3

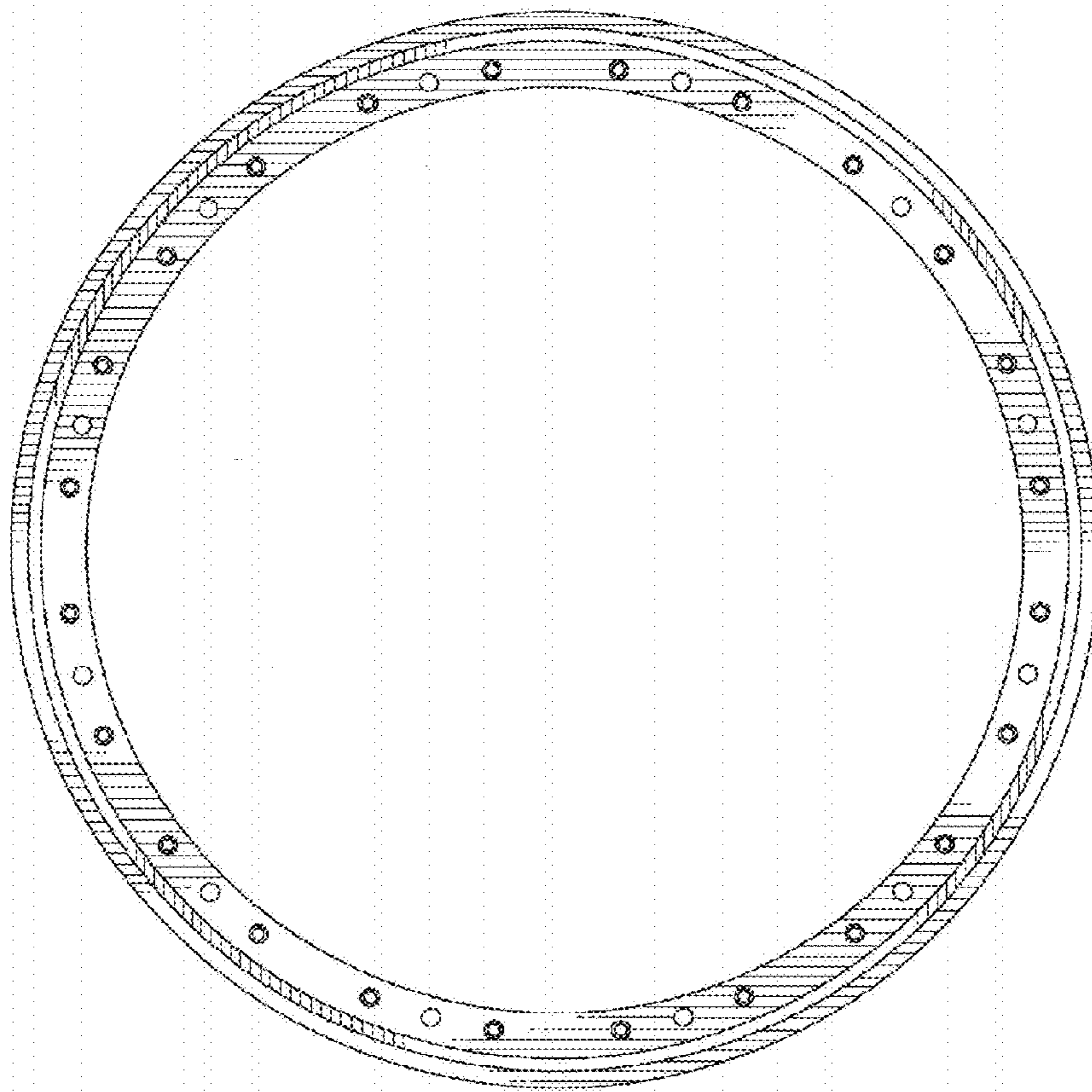


FIG. 4

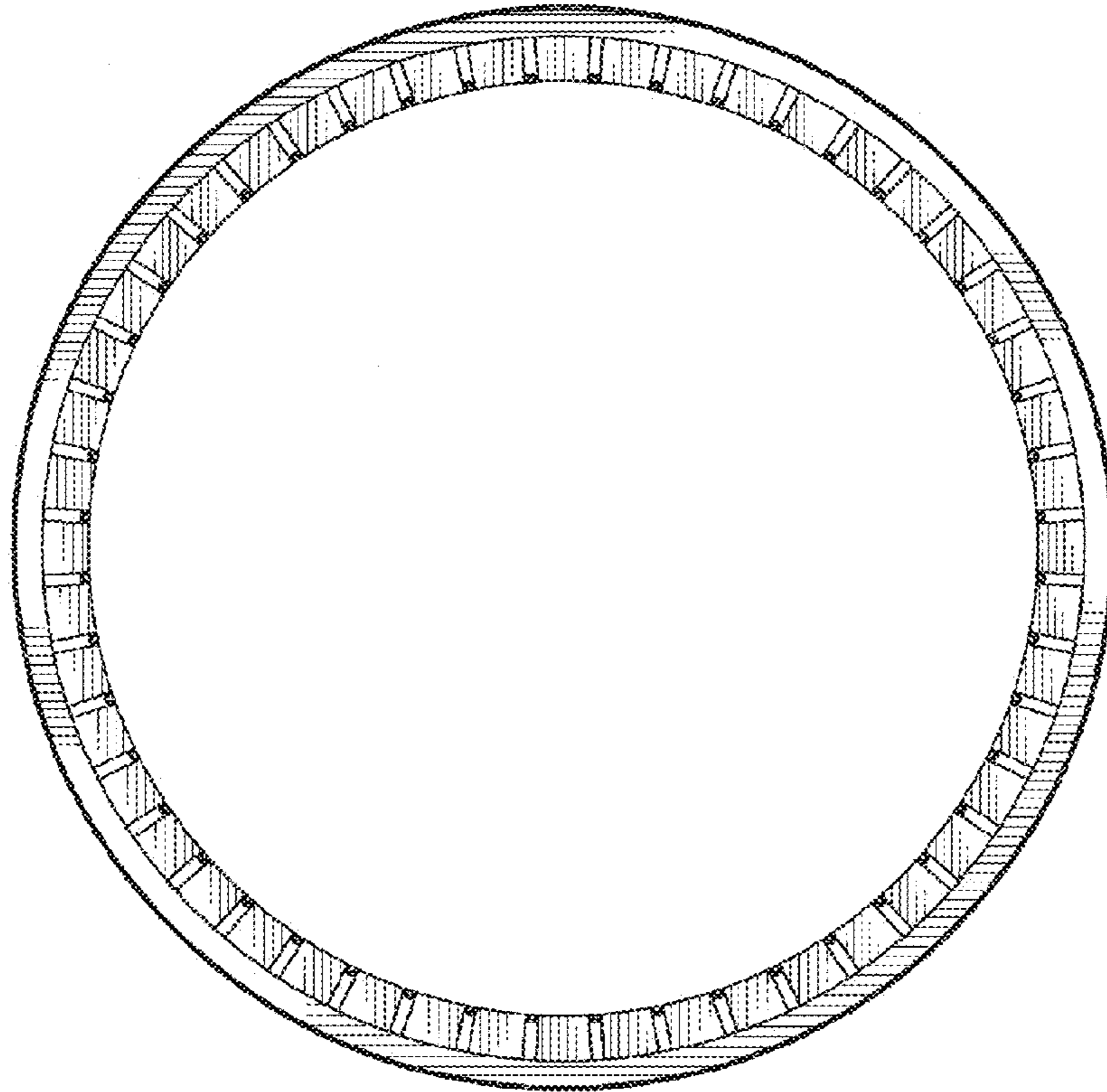


FIG. 5

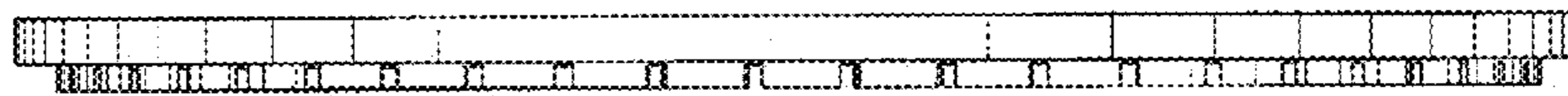


FIG. 6

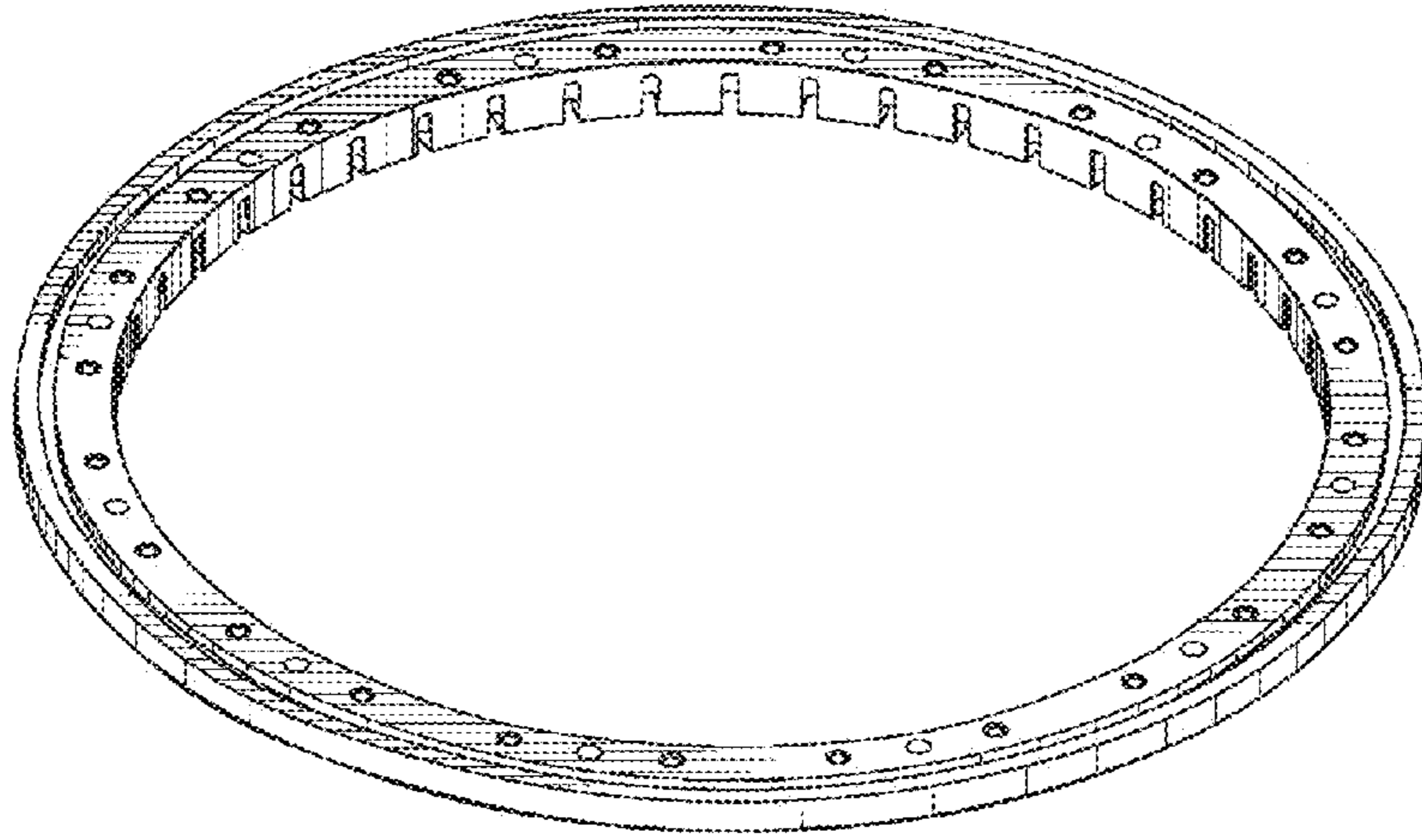


FIG. 7

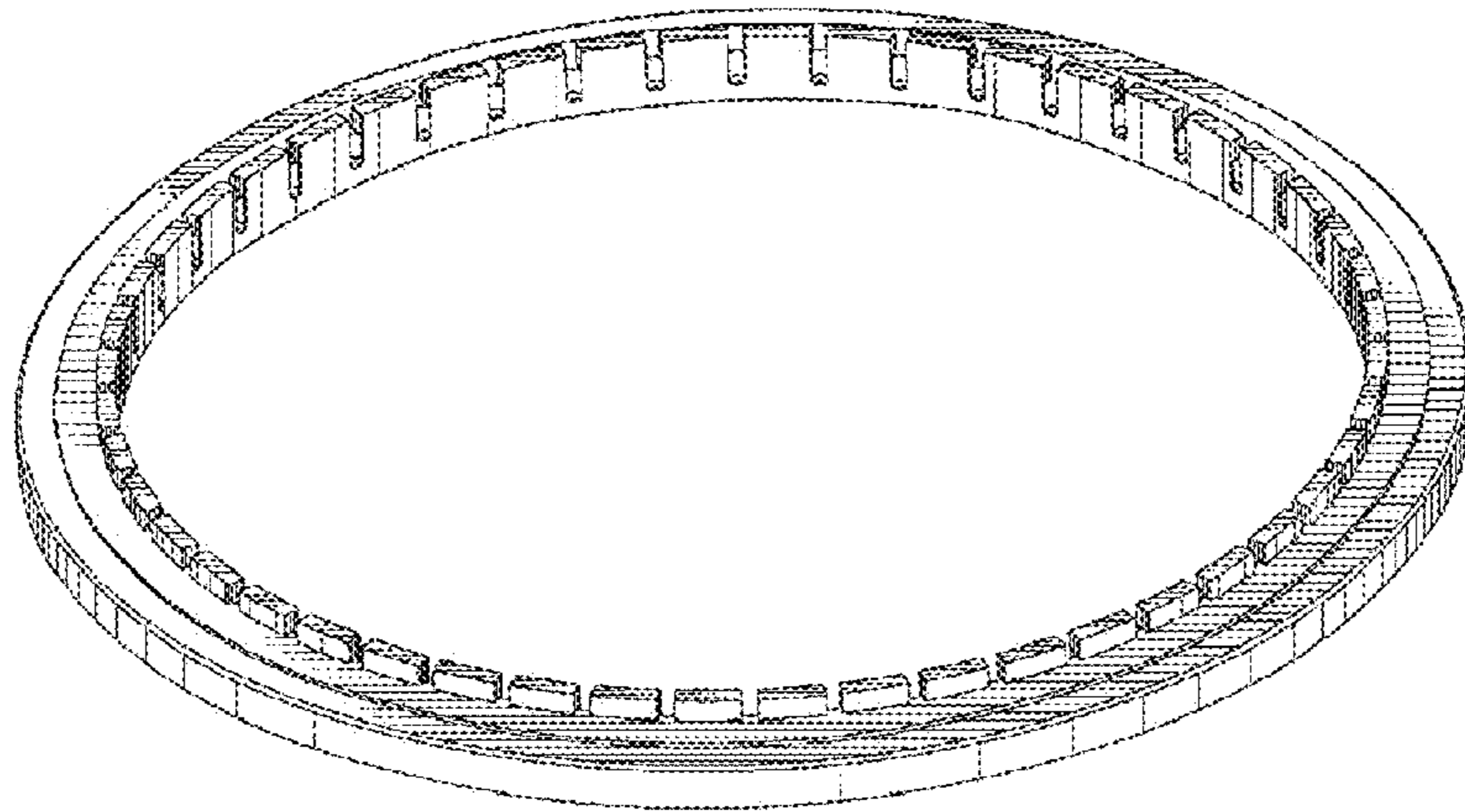


FIG. 8

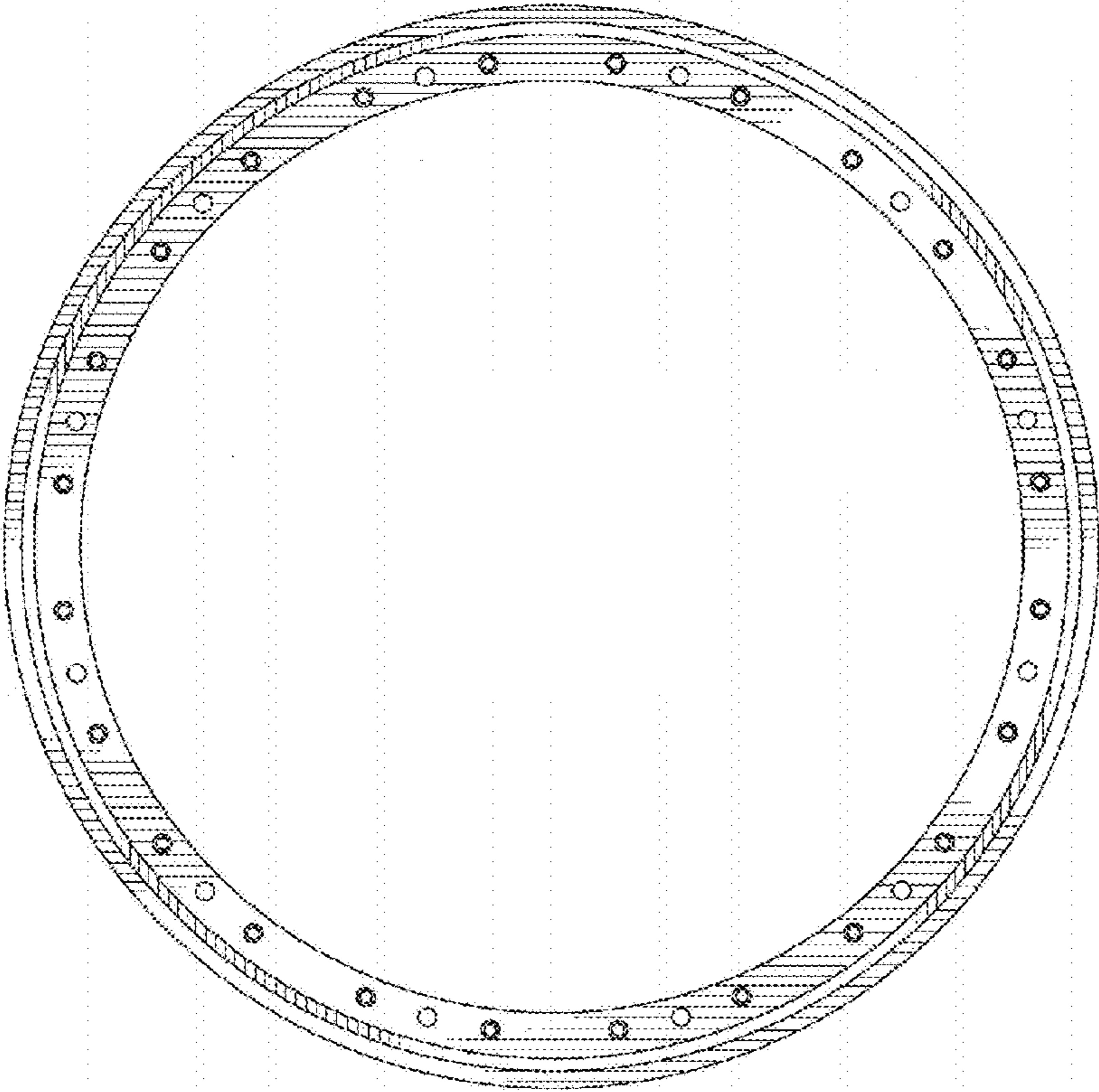


FIG. 9

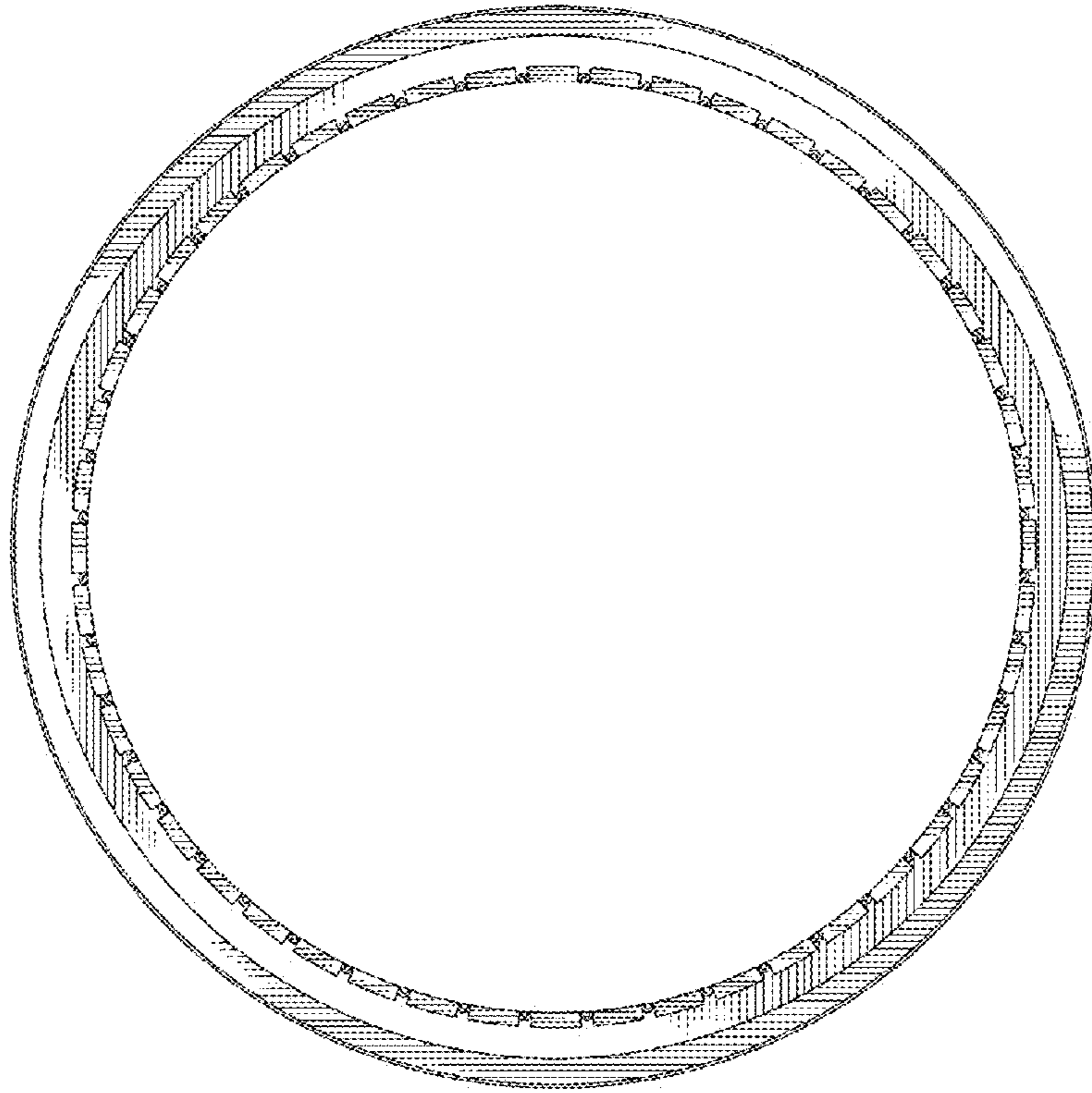


FIG. 10

