



US00D766844S

(12) **United States Design Patent**
Turksu et al.

(10) **Patent No.:** **US D766,844 S**
(45) **Date of Patent:** **** Sep. 20, 2016**

- (54) **WIRELESS CONTROL BUTTON**
- (71) Applicant: **SARIANA, LLC**, San Diego, CA (US)
- (72) Inventors: **Alan Turksu**, San Diego, CA (US);
Mustafa Burak Guclu, San Diego, CA (US)
- (73) Assignee: **SARIANA, LLC**, San Diego, CA (US)
- (**) Term: **14 Years**
- (21) Appl. No.: **29/516,177**
- (22) Filed: **Jan. 29, 2015**
- (51) **LOC (10) Cl.** **14-03**
- (52) **U.S. Cl.**
USPC **D13/168; D10/104.1; D14/240**
- (58) **Field of Classification Search**
USPC **D13/168; D10/104.1, 106.1; D14/137, D14/139, 140, 155, 230, 231, 238.1, 240, D14/242, 243, 218, 314; 455/41.2**
CPC **H03J 1/0025; H03J 9/00; H03J 9/02; H03J 9/04; H03J 9/06; H01H 9/0235; H04B 1/202; G05B 11/01; G08C 17/00; G08C 17/02; G08C 23/04; G06F 1/1626; H01Q 1/007; H04W 52/0206; H04W 88/08; H04W 88/085; H04W 88/10; H04W 88/12; H04W 88/16; H04L 67/306; H04M 1/6091**
See application file for complete search history.

(56) **References Cited**

U.S. PATENT DOCUMENTS

- D371,793 S * 7/1996 Patton D14/218
- D407,985 S * 4/1999 Pimentel D10/104.2

(Continued)

Primary Examiner — Selina Sikder

(74) *Attorney, Agent, or Firm* — Wagenknecht IP Law Group PC

(57) **CLAIM**

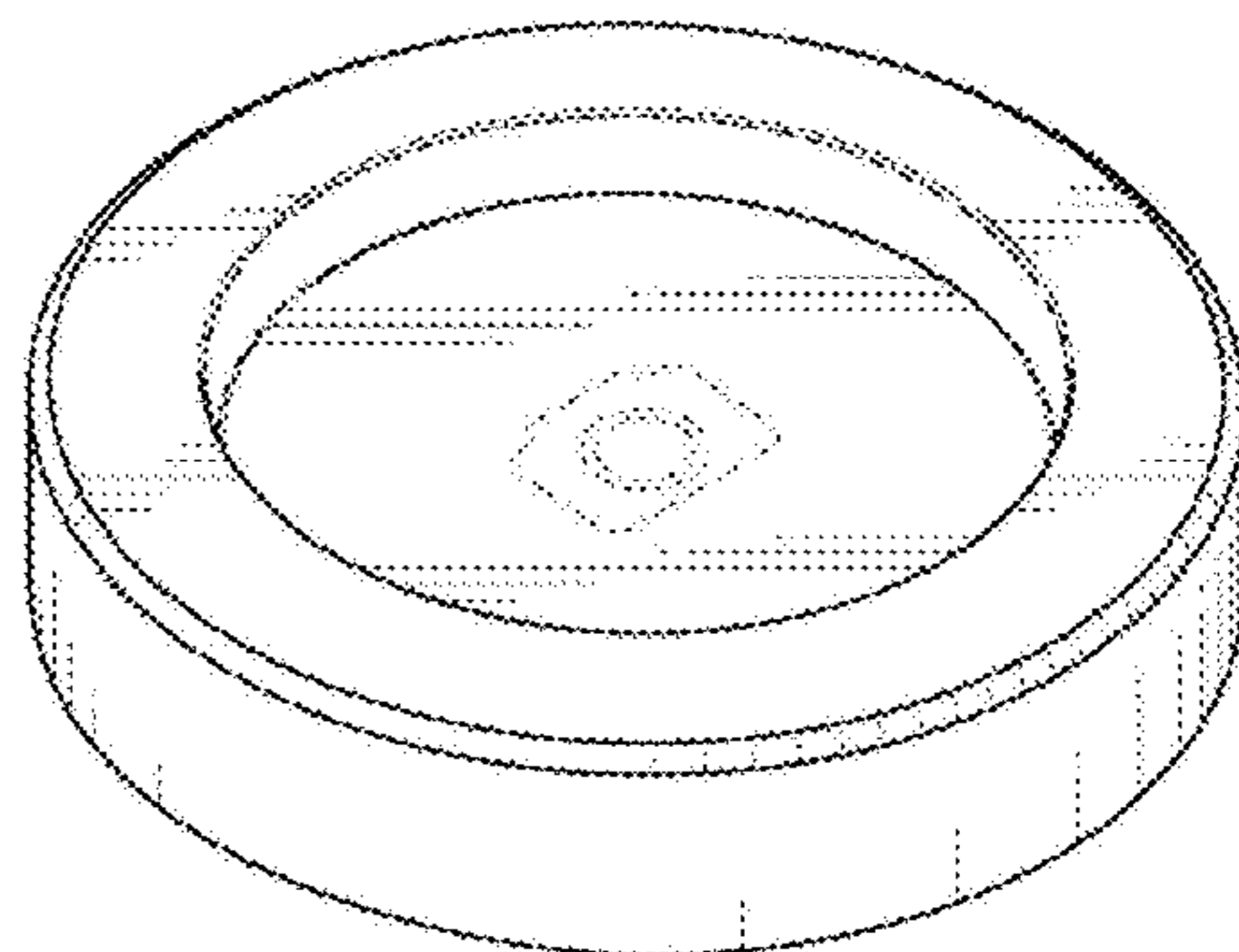
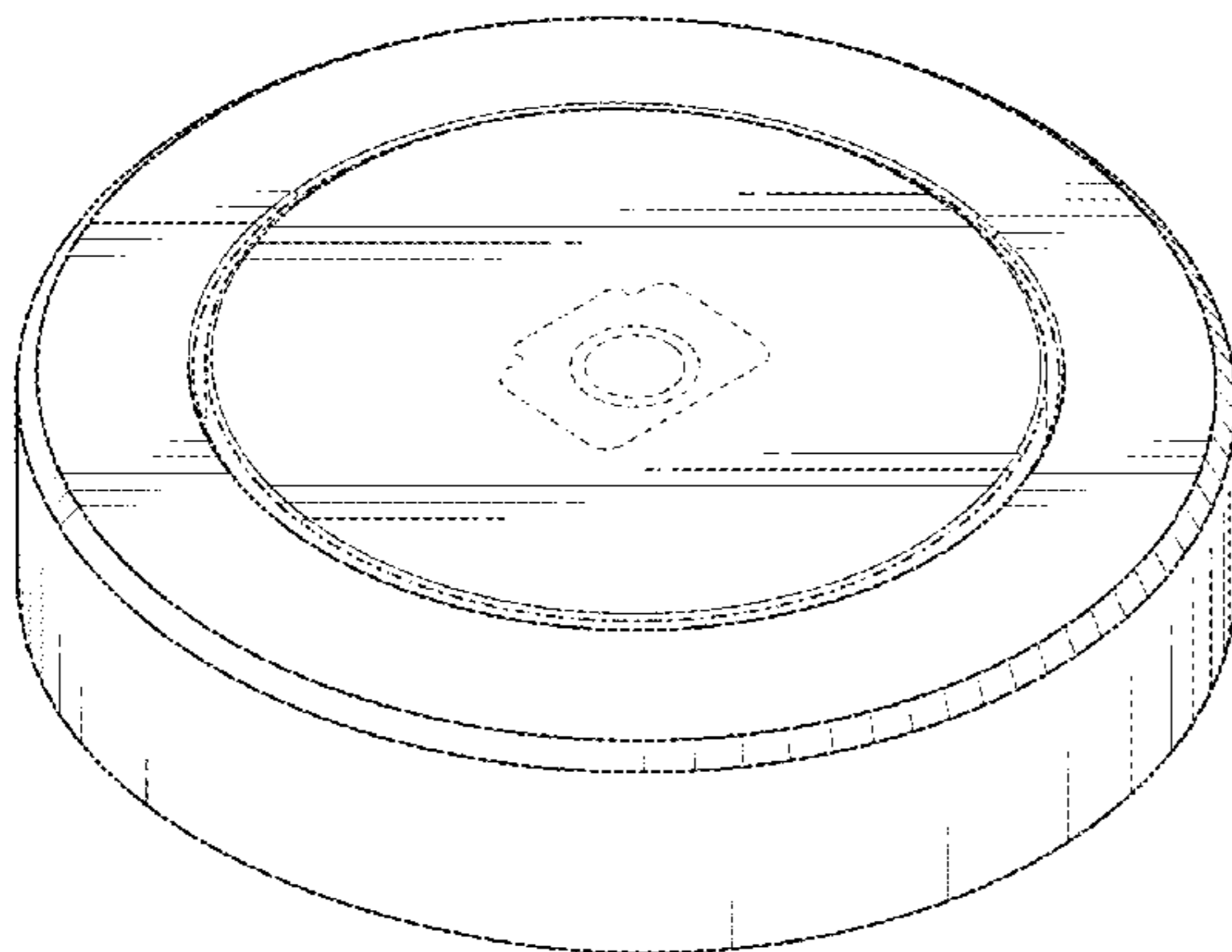
What is claimed is an ornamental design for a wireless control button, as shown and described.

DESCRIPTION

FIG. 1 is at top, left, front perspective view of the wireless control button showing our new design;

FIG. 2 is a top plan view thereof;
 FIG. 3 is a bottom plan view thereof;
 FIG. 4 is a left side elevational view thereof;
 FIG. 5 is a right side elevational view thereof;
 FIG. 6 is a rear elevational view thereof;
 FIG. 7 is a front elevational view thereof;
 FIG. 8 is a top, left front view of the wireless control button shown in an optional orientation pressed halfway between the top and bottom;
 FIG. 9 is a top, left, front perspective view of a second embodiment of the wireless control button lined for the color silver;
 FIG. 10 is a top plan view of the second embodiment;
 FIG. 11 is a bottom plan view of the second embodiment;
 FIG. 12 is a left side elevational view of the second embodiment;
 FIG. 13 is a right side elevational view of the second embodiment;
 FIG. 14 is a rear elevational view of the second embodiment;
 FIG. 15 is a front elevational view of the second embodiment;
 FIG. 16 is a top, left front view of the second embodiment shown in an optional orientation pressed halfway between the top and bottom;
 FIG. 17 is a top, left, front perspective view of a third embodiment of the wireless control button lined for the color silver as in the second embodiment and for the color black;
 FIG. 18 is a top plan view of the third embodiment;
 FIG. 19 is a bottom plan view of the third embodiment;
 FIG. 20 is a top, left, front perspective view of a fourth embodiment of the wireless control button lined for the color silver as in the second embodiment and for the color white;
 FIG. 21 is a top plan view of the fourth embodiment; and,
 FIG. 22 is a bottom plan view of the fourth embodiment.
 The dot-dot broken lines are shown for illustrative purpose only and forms no part of the claimed design. The dash-dot broken lines define the bounds of the claimed design and form no part thereof. Broken lines are included for illustrative purposes only and form no part of the claimed design.

1 Claim, 9 Drawing Sheets



(56)

References Cited

U.S. PATENT DOCUMENTS

D435,835 S * 1/2001 Steck D13/168
 D511,985 S * 11/2005 Kelly, Jr. D10/106.1
 D512,417 S * 12/2005 Hirakawa D14/223
 D515,040 S * 2/2006 Jones D13/168
 D518,030 S * 3/2006 Lin D14/218
 D526,973 S * 8/2006 Gates D13/168
 D530,525 S * 10/2006 Greene, II D6/309
 D601,564 S * 10/2009 Maeno D14/400
 D602,911 S * 10/2009 Wang D14/216
 D627,306 S * 11/2010 Charleux D13/168
 D658,640 S * 5/2012 Ivaskevicius D14/242
 D671,096 S * 11/2012 Song D14/223
 D671,528 S * 11/2012 Fathollahi D14/211
 D683,251 S * 5/2013 Dumas D10/104.2
 D687,009 S * 7/2013 Song D14/155
 D700,904 S * 3/2014 Miller D13/168
 D702,146 S * 4/2014 Giovanni D10/106.9

D704,177 S * 5/2014 Chun D14/240
 D705,748 S * 5/2014 He D14/155
 D706,249 S * 6/2014 Holzer D14/240
 D724,060 S * 3/2015 Ahn D14/218
 D725,088 S * 3/2015 Kwak D14/240
 D726,161 S * 4/2015 Howard D14/218
 D729,773 S * 5/2015 Salojarvi D14/218
 D743,382 S * 11/2015 Katori D14/228
 D743,954 S * 11/2015 Chuang D13/168
 D746,165 S * 12/2015 Li D10/104.1
 D746,166 S * 12/2015 Li D10/104.1
 D747,229 S * 1/2016 Perez D10/104.1
 D747,984 S * 1/2016 Zhao D10/52
 2005/0245254 A1* 11/2005 Hall H04W 88/08
 455/426.1
 2012/0255505 A1* 10/2012 Gauthier A01K 15/023
 119/721
 2013/0292481 A1* 11/2013 Filson G05D 23/1902
 236/1 C

* cited by examiner

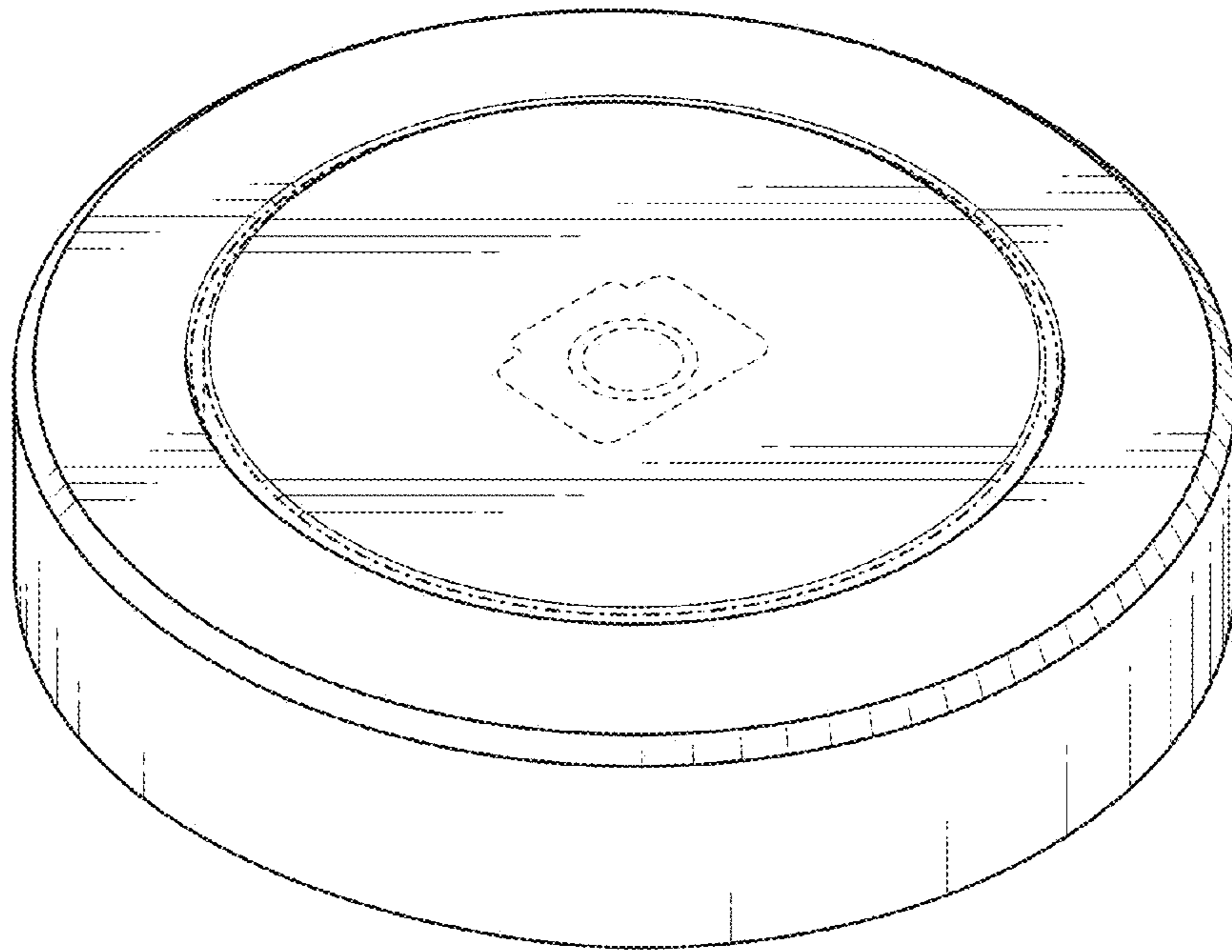


FIG. 1

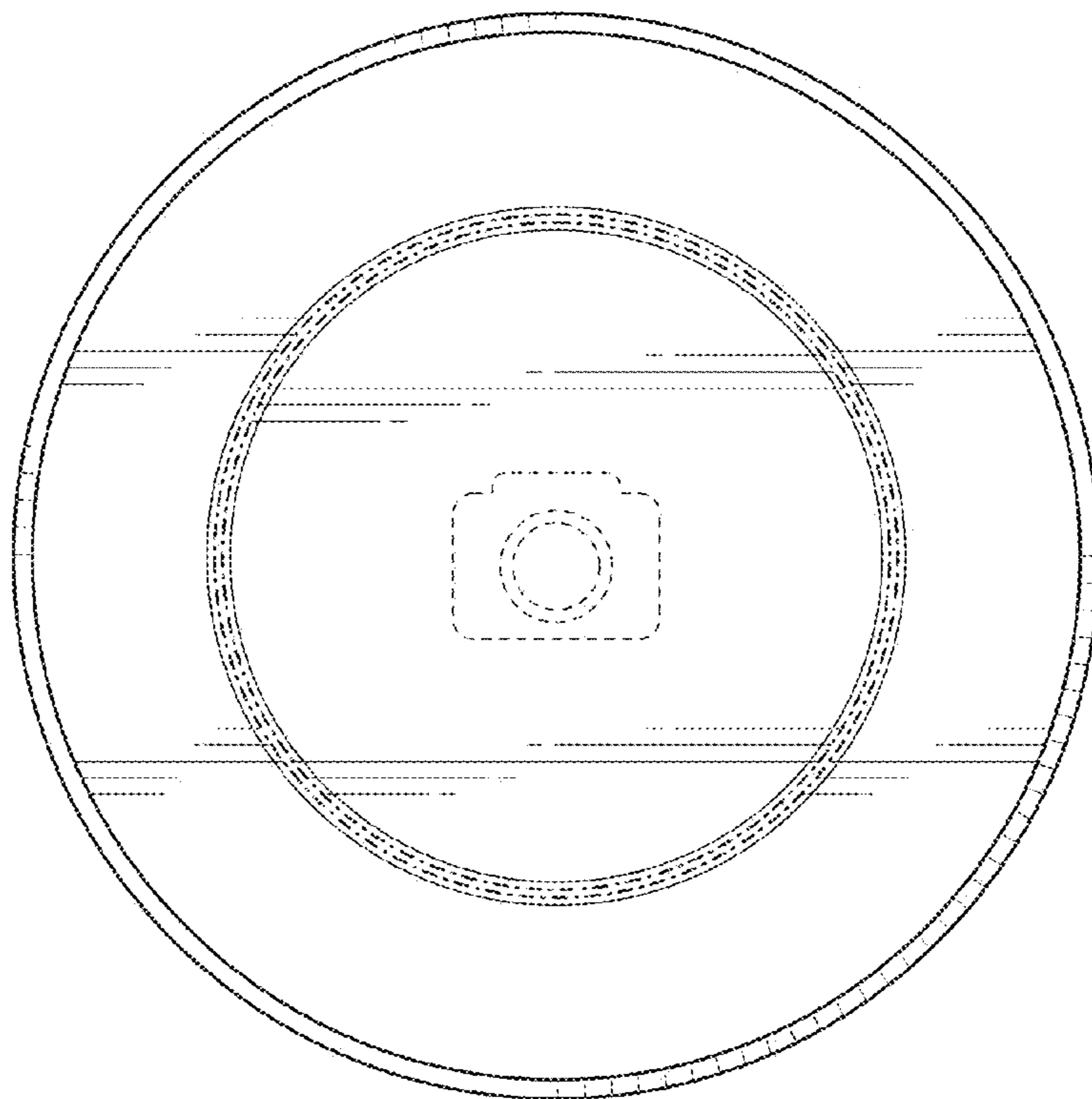


FIG. 2

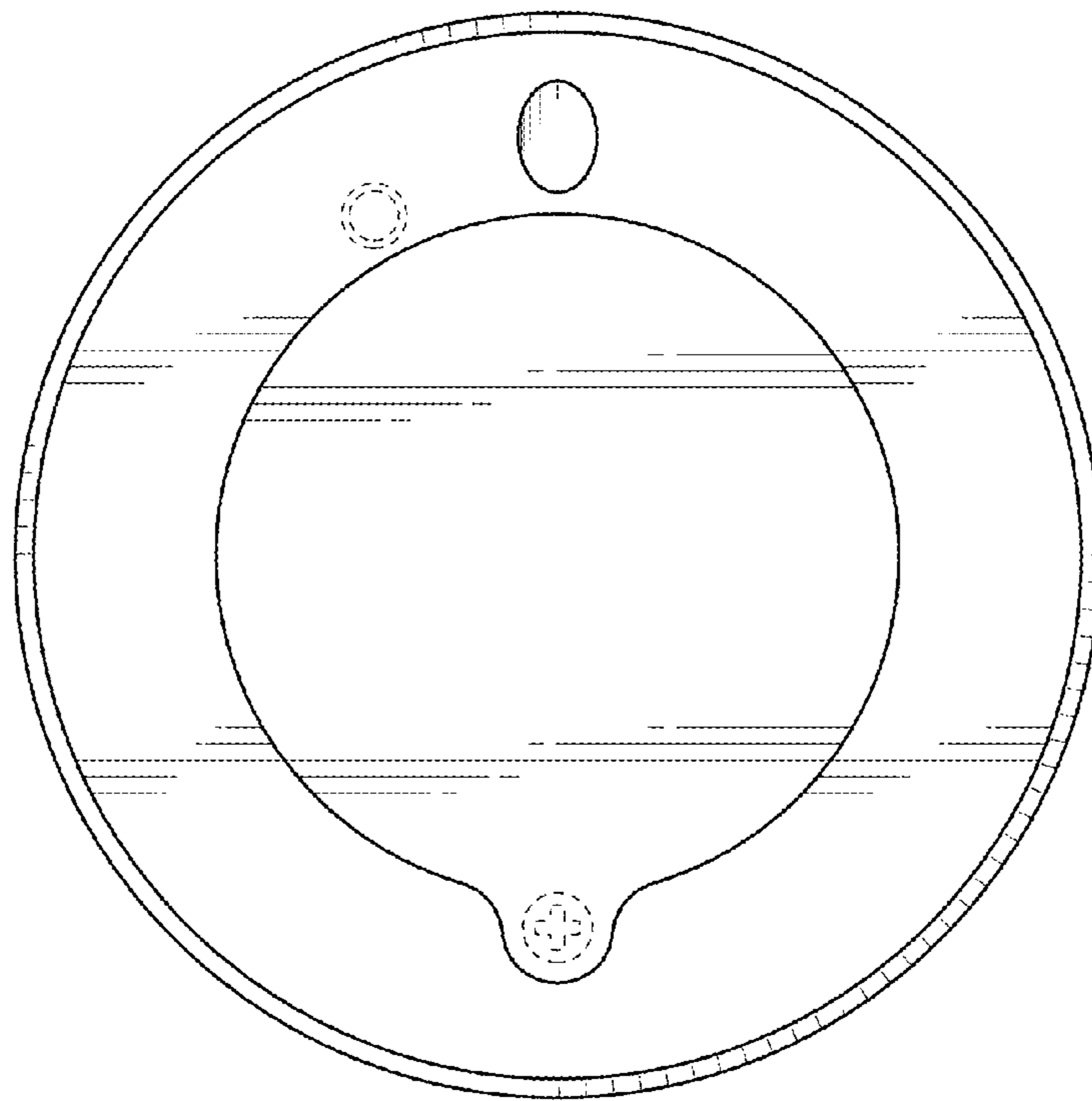


FIG. 3

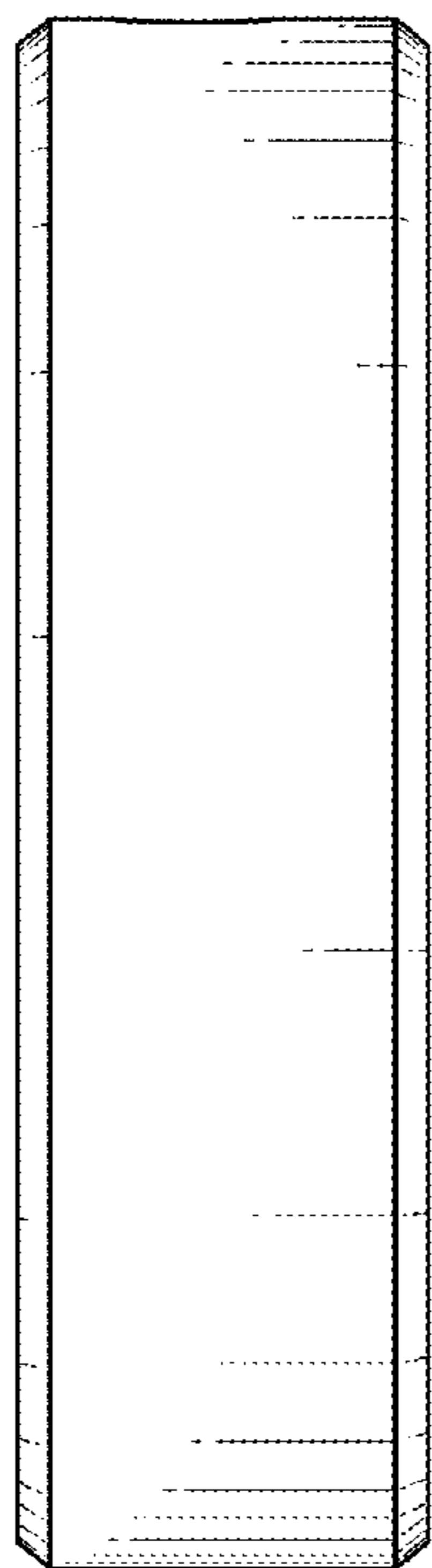


FIG. 4

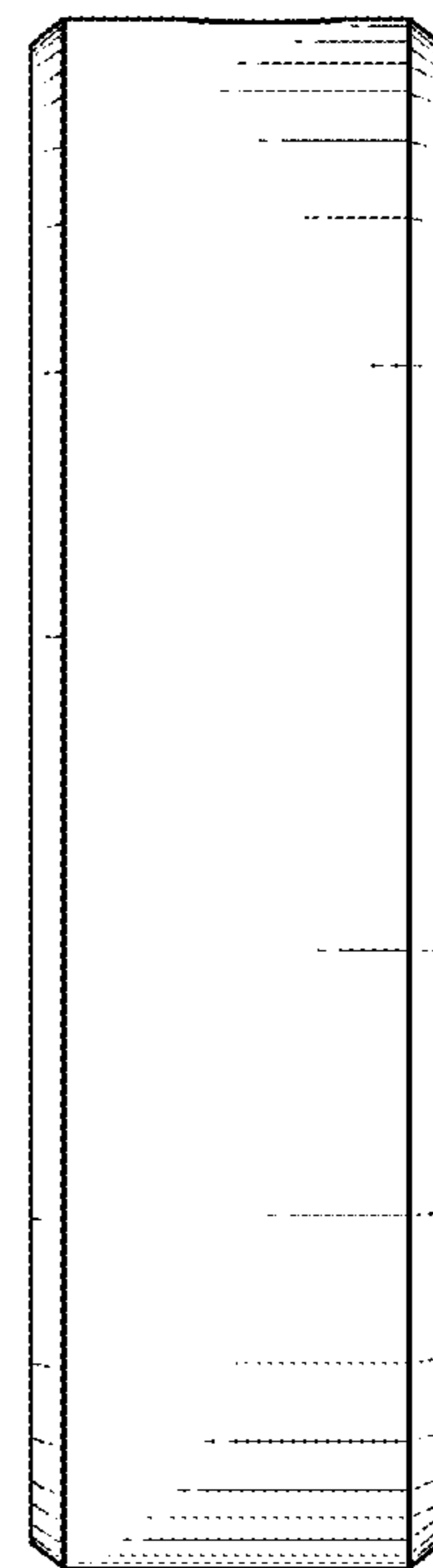


FIG. 5

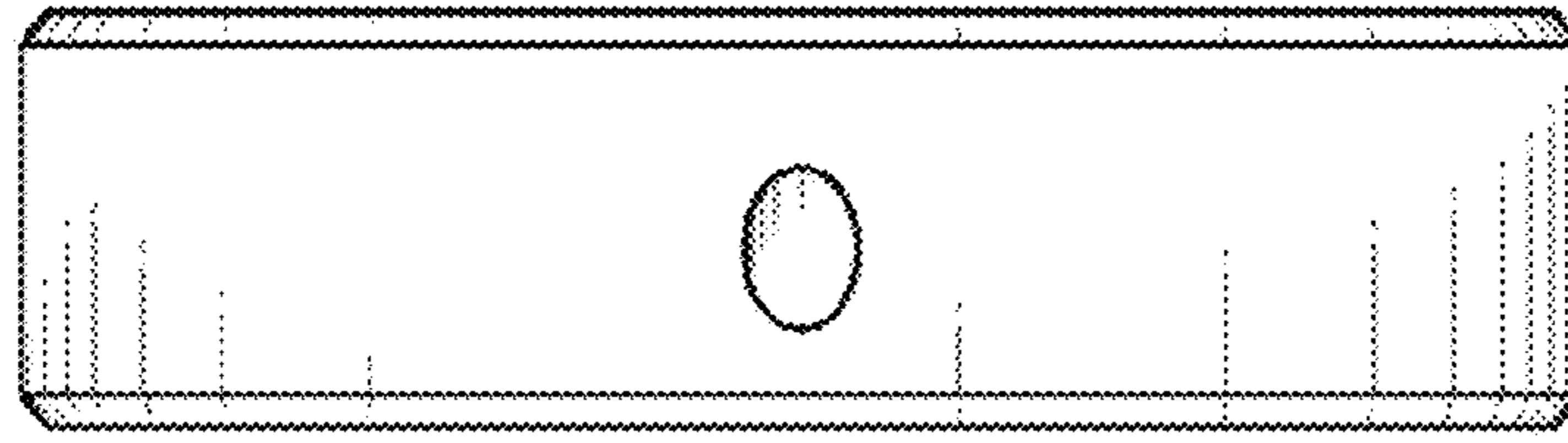


FIG. 6



FIG. 7

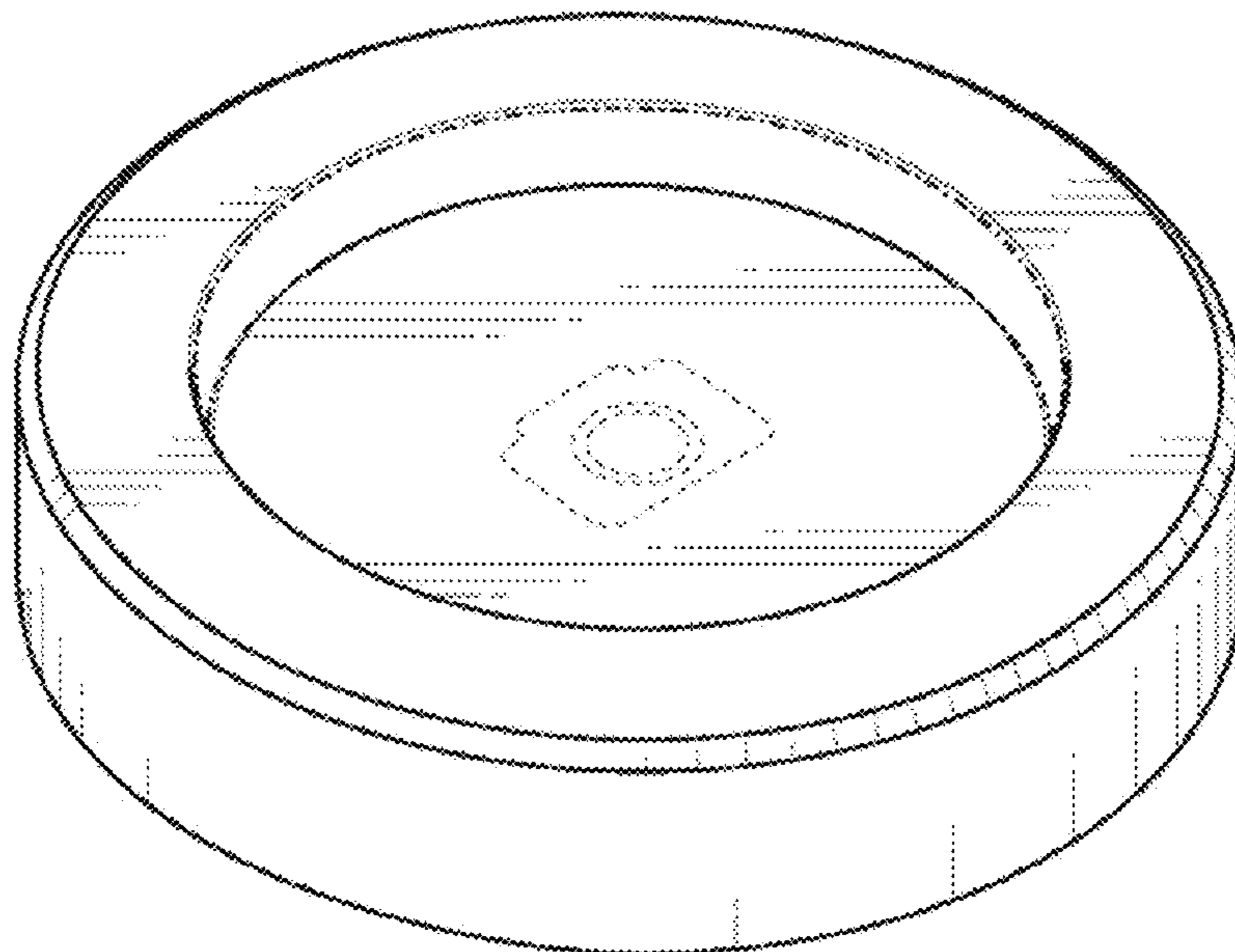


FIG. 8

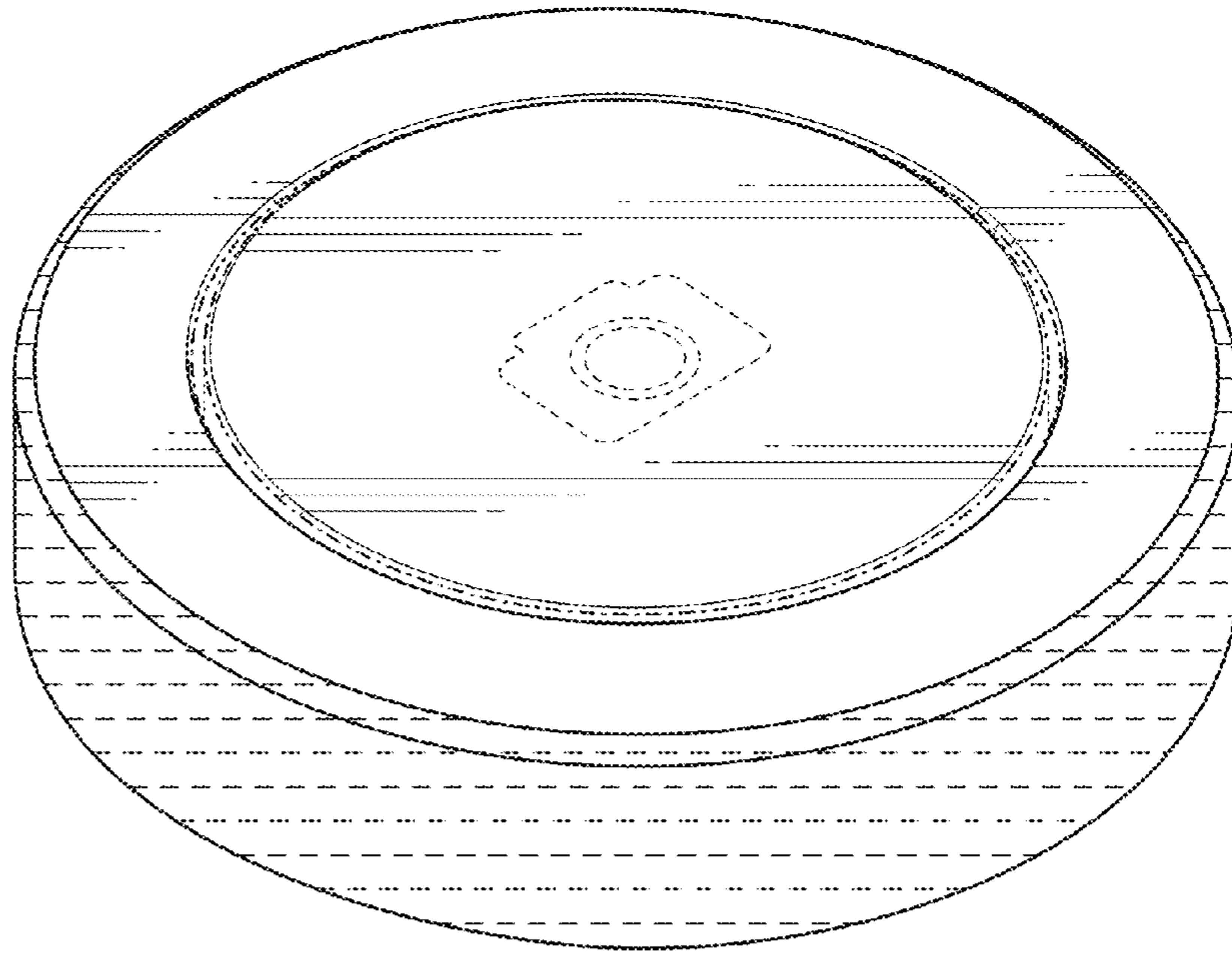


FIG. 9

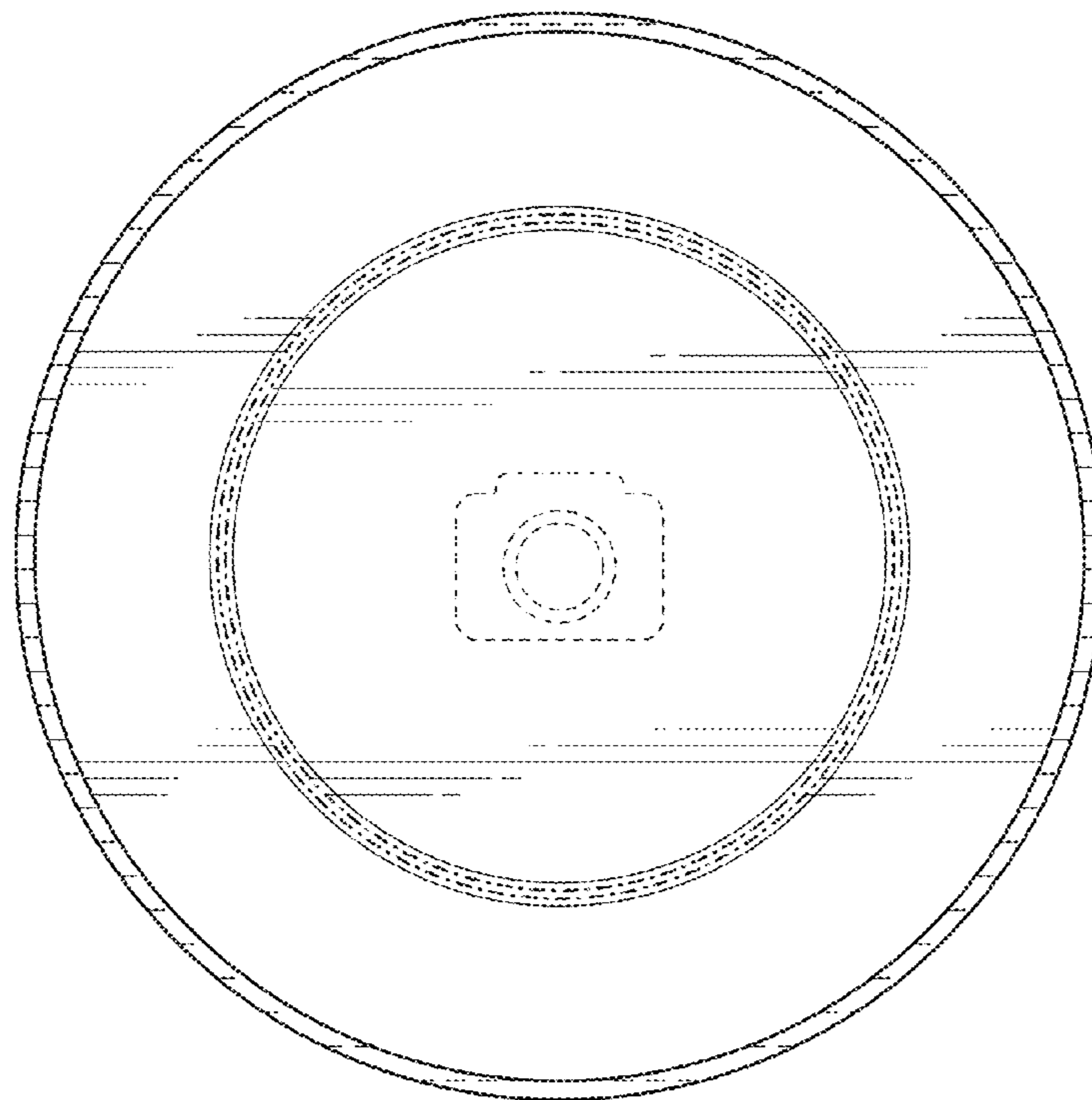


FIG. 10

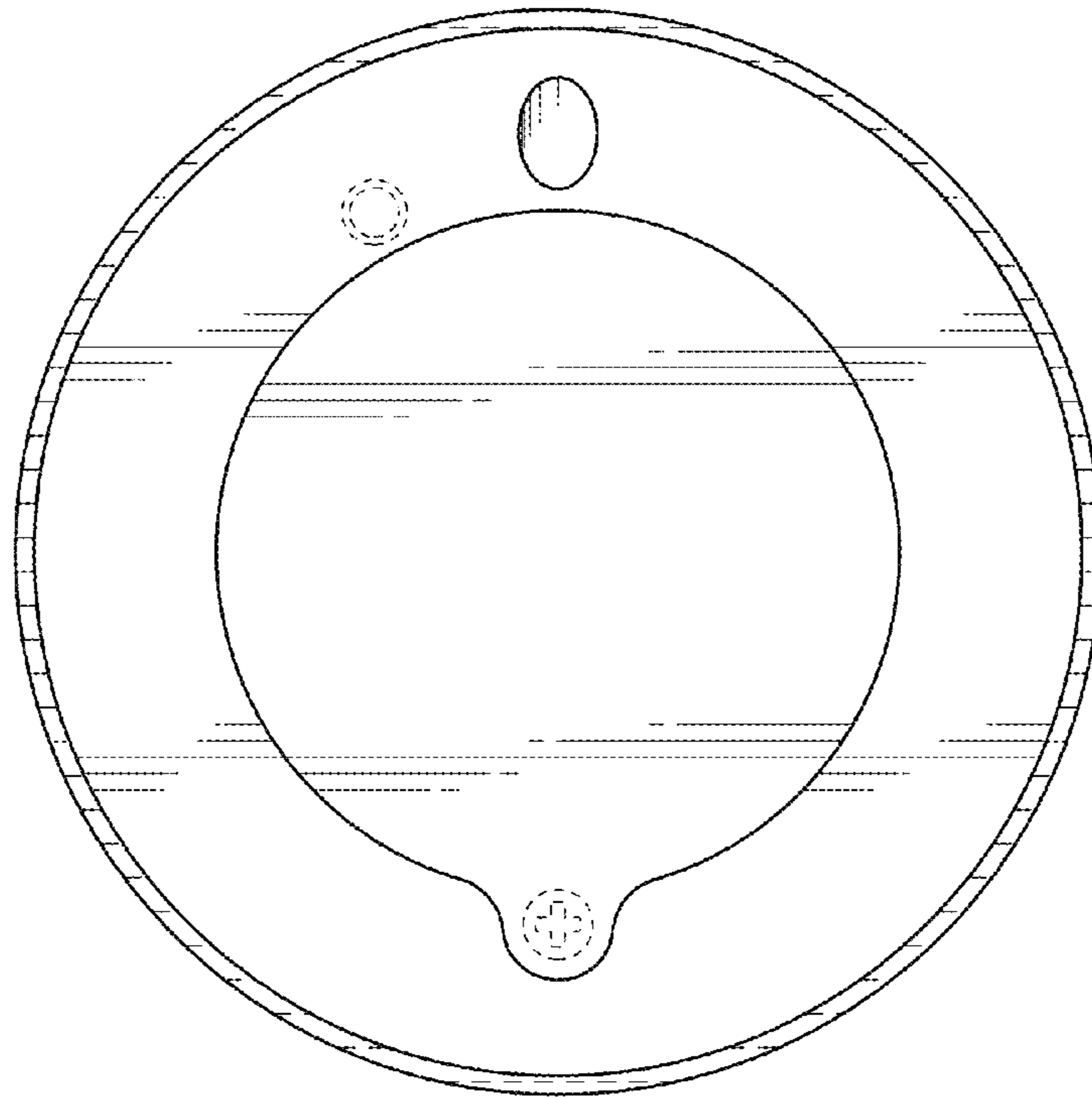


FIG. 11

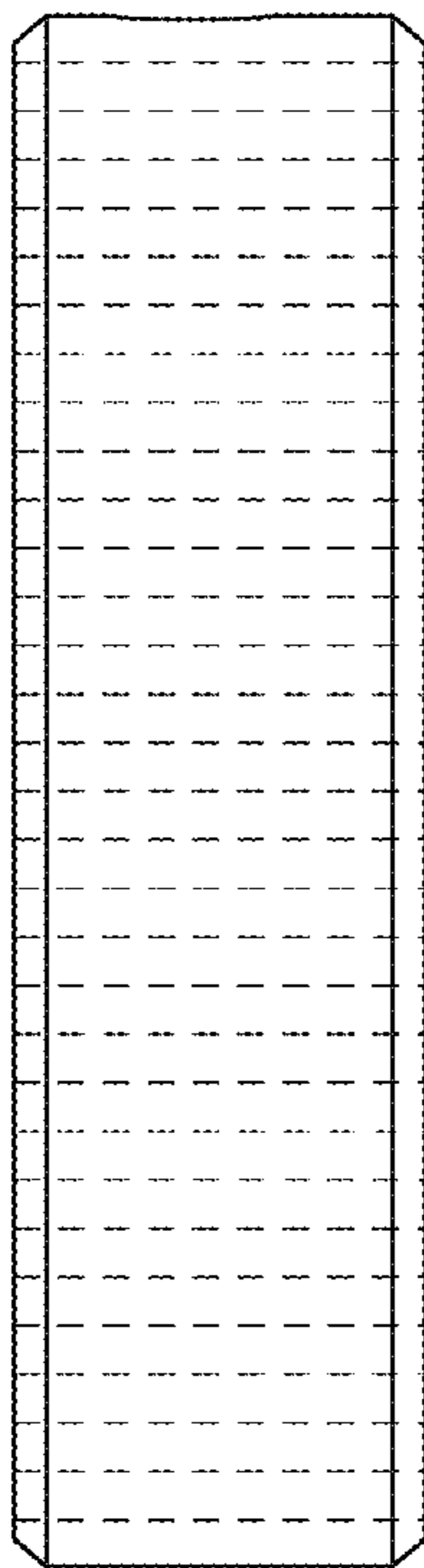


FIG. 12

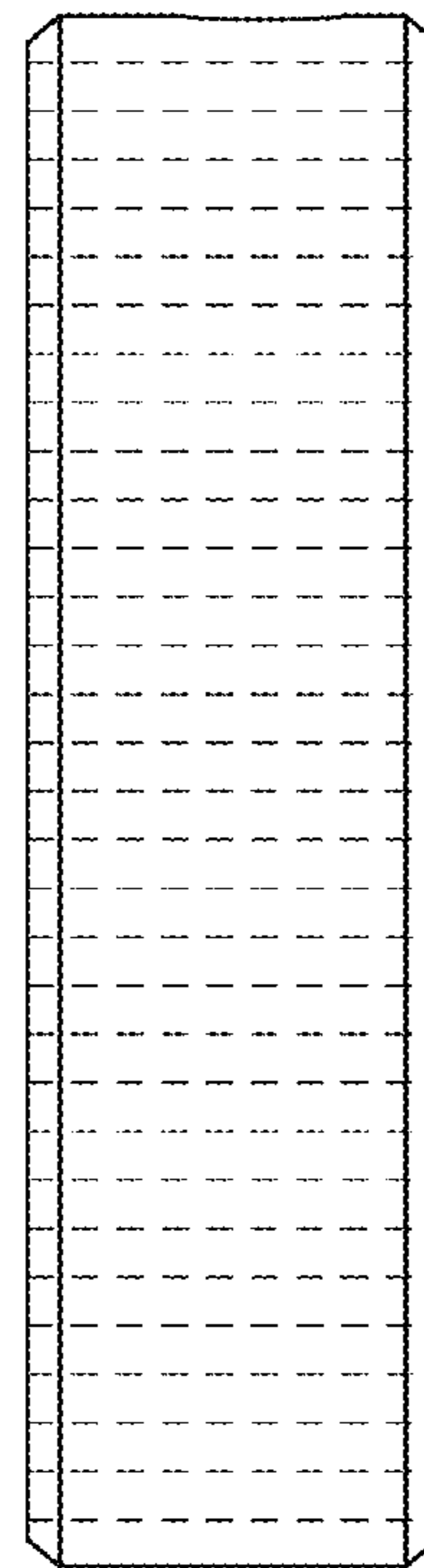


FIG. 13

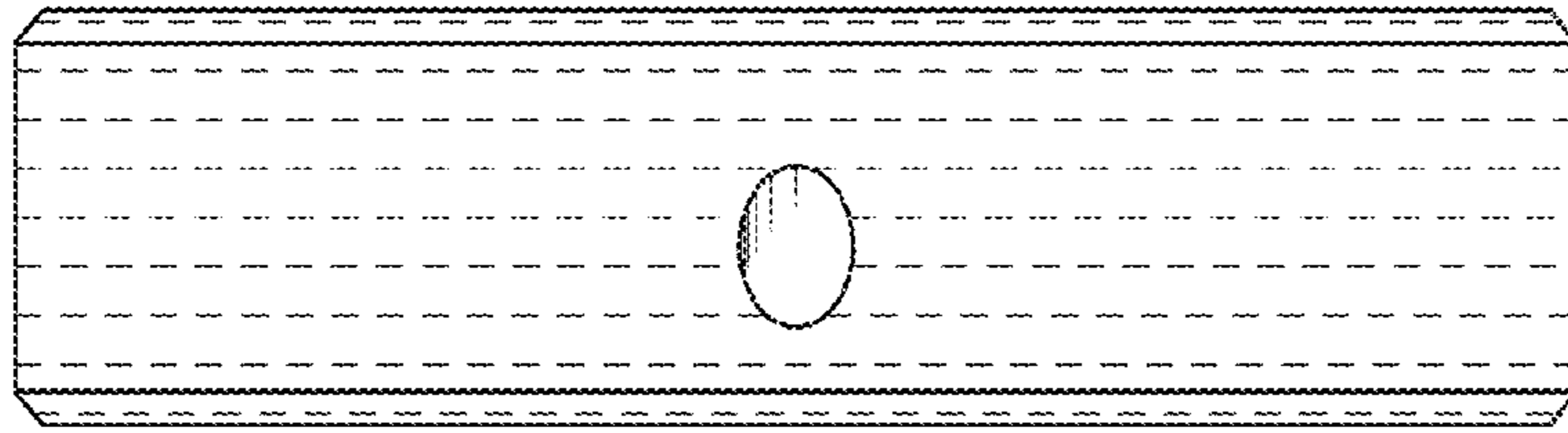


FIG. 14



FIG. 15

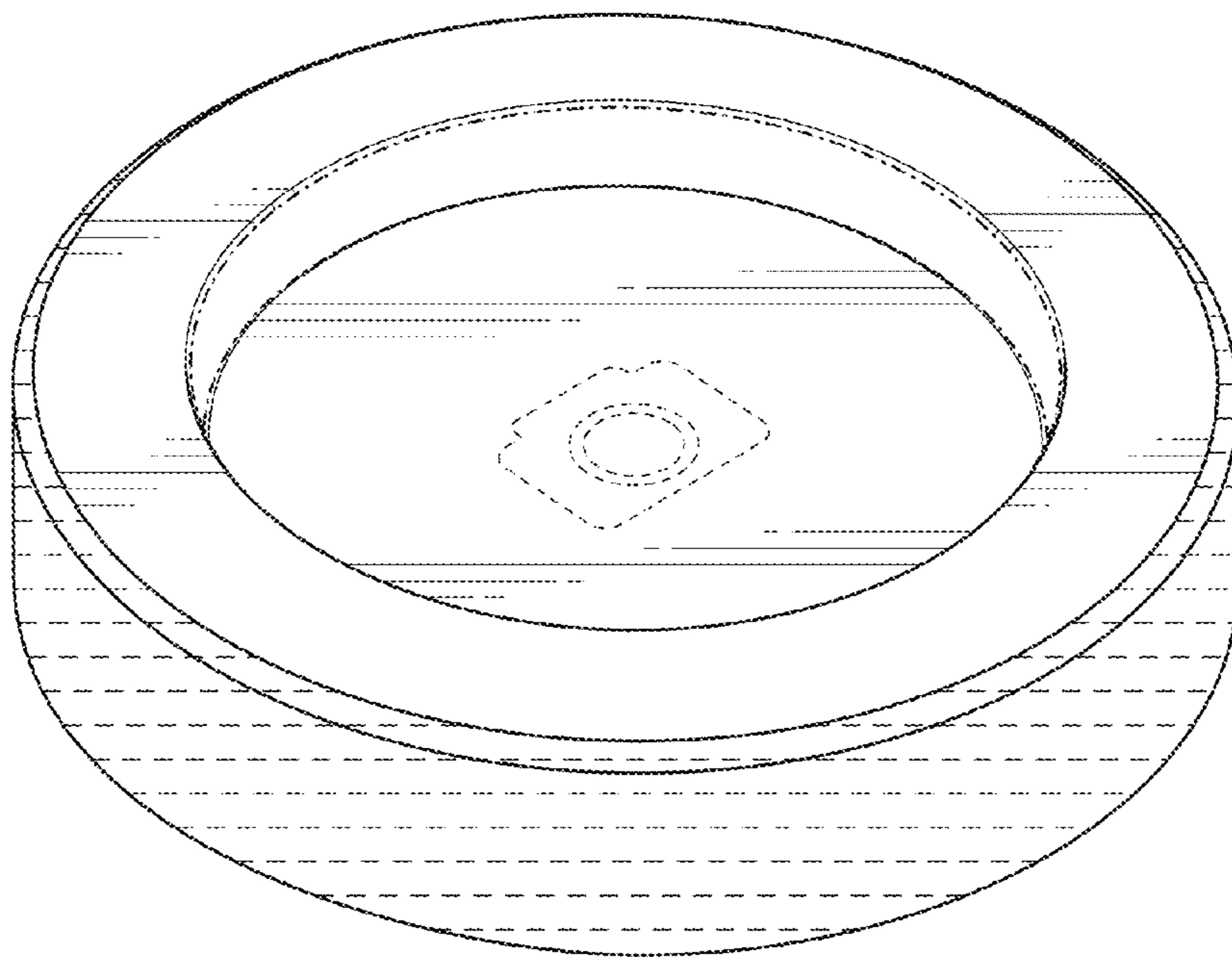


FIG. 16

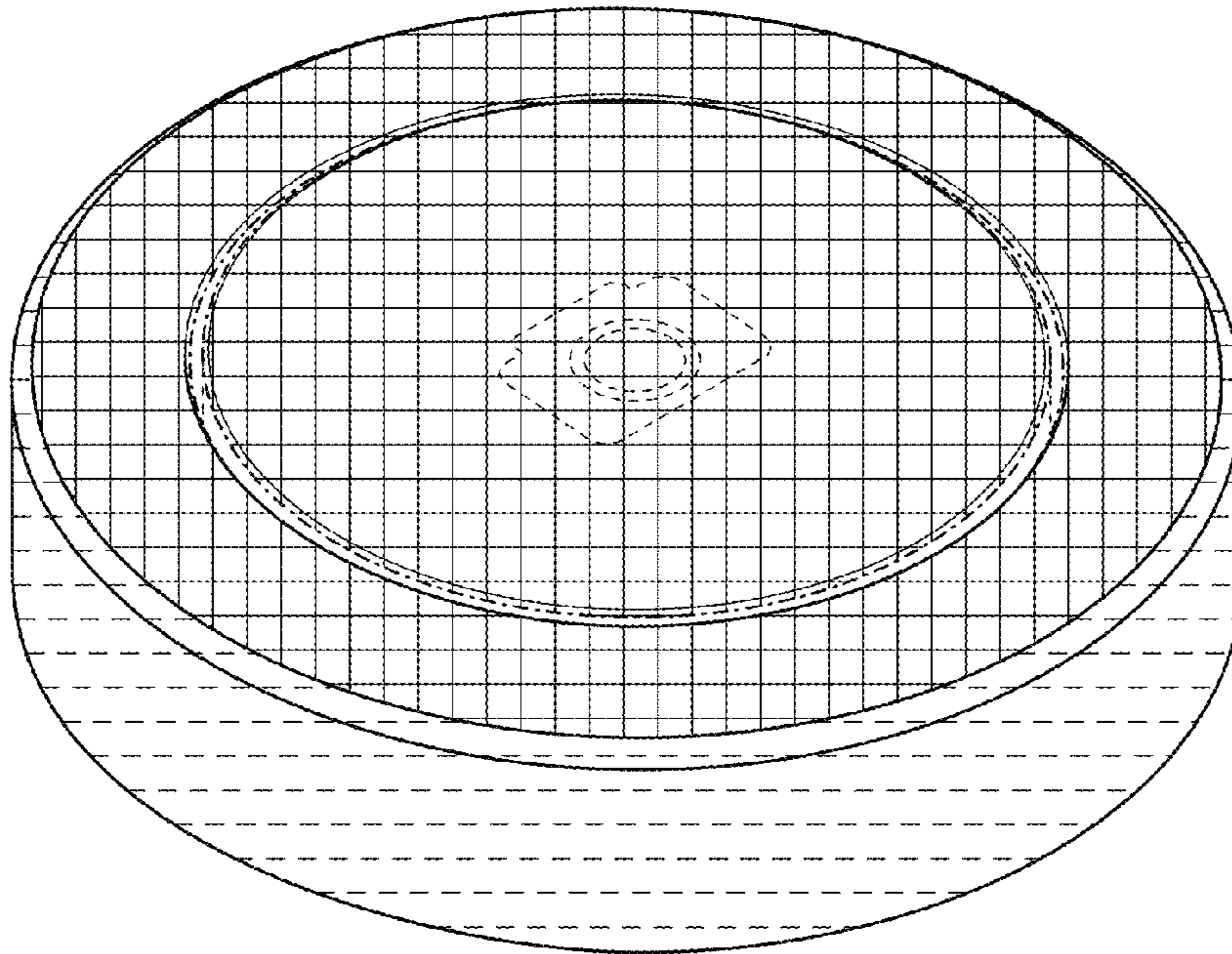


FIG. 17

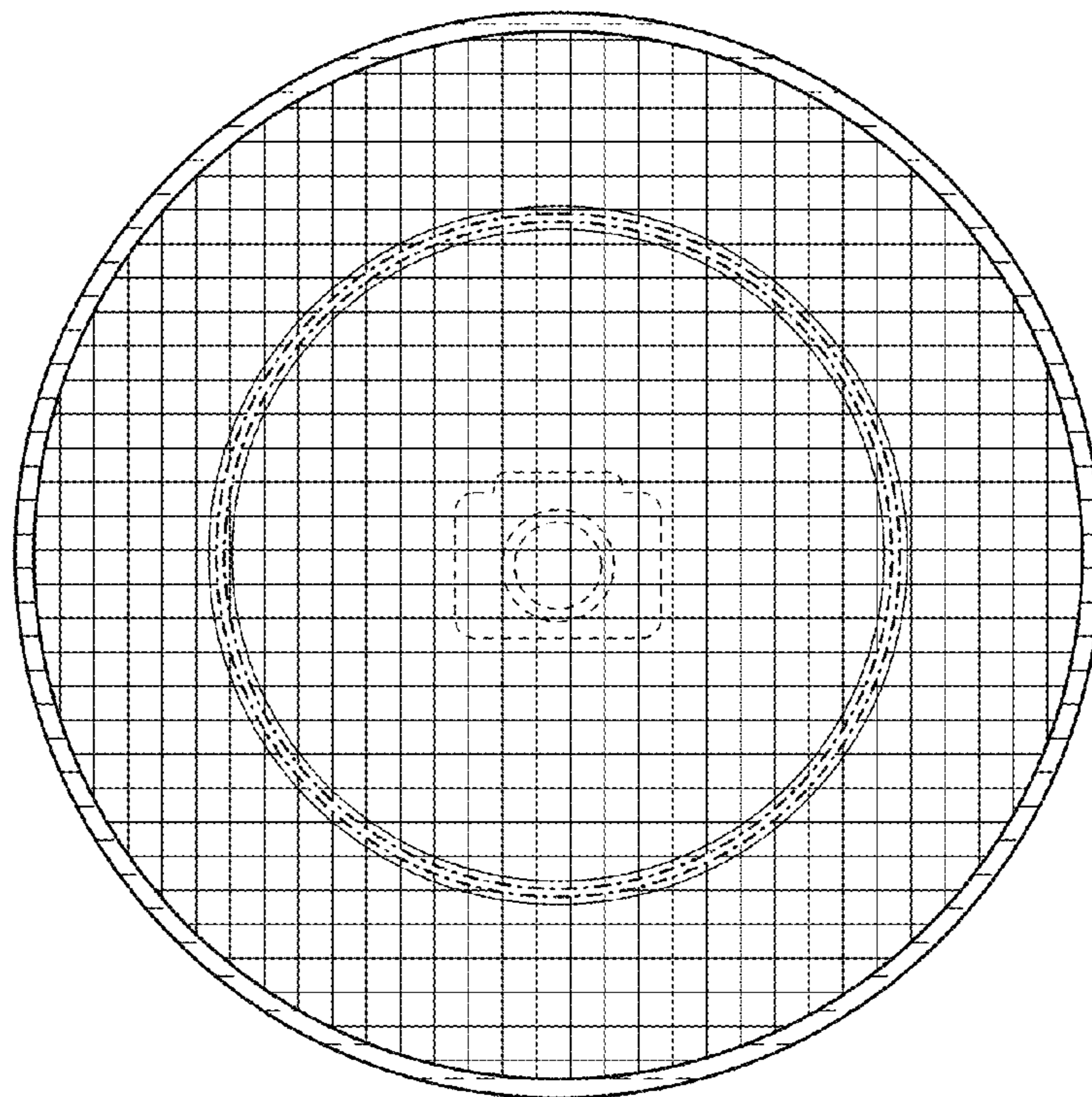


FIG. 18

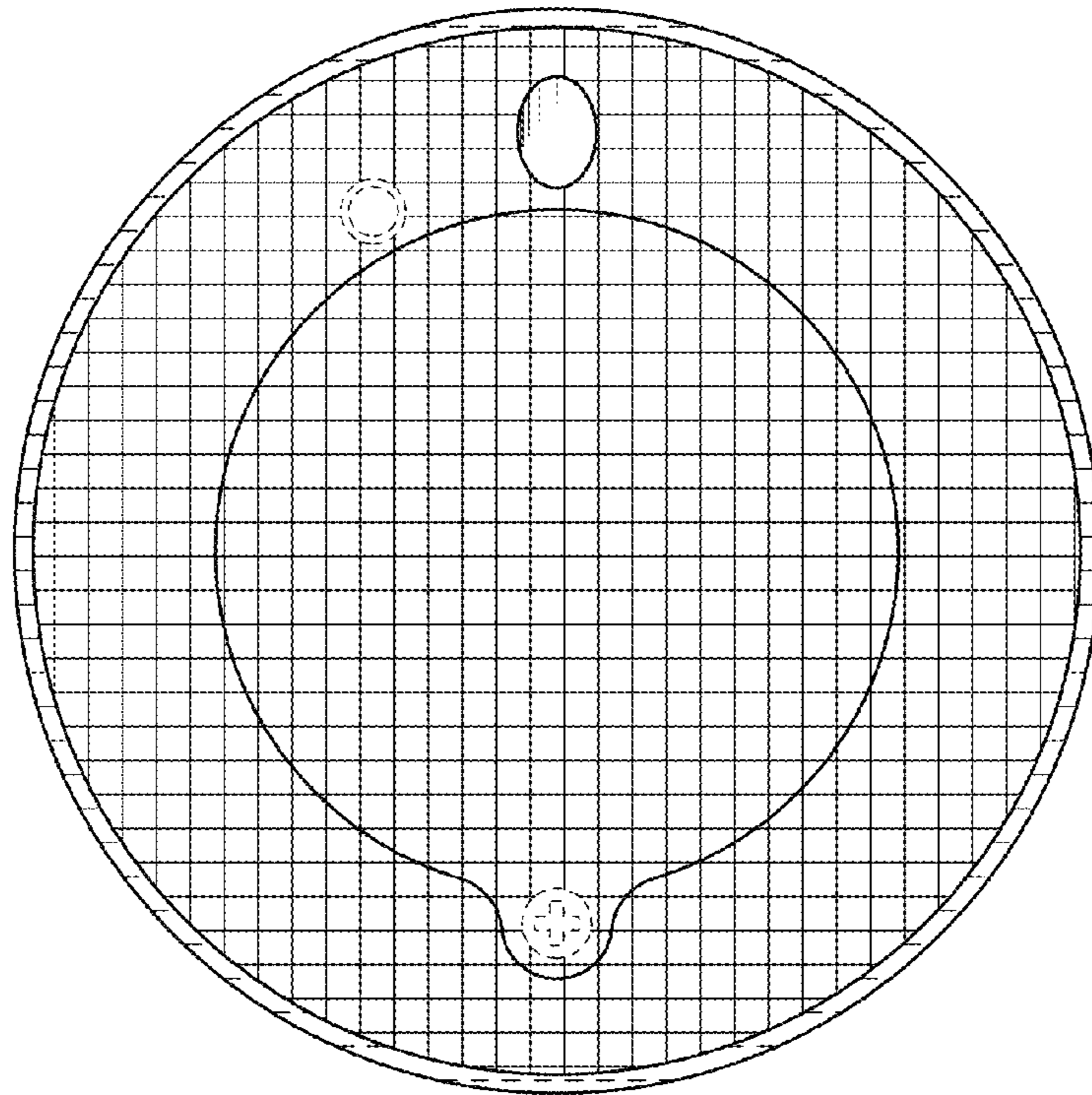


FIG. 19

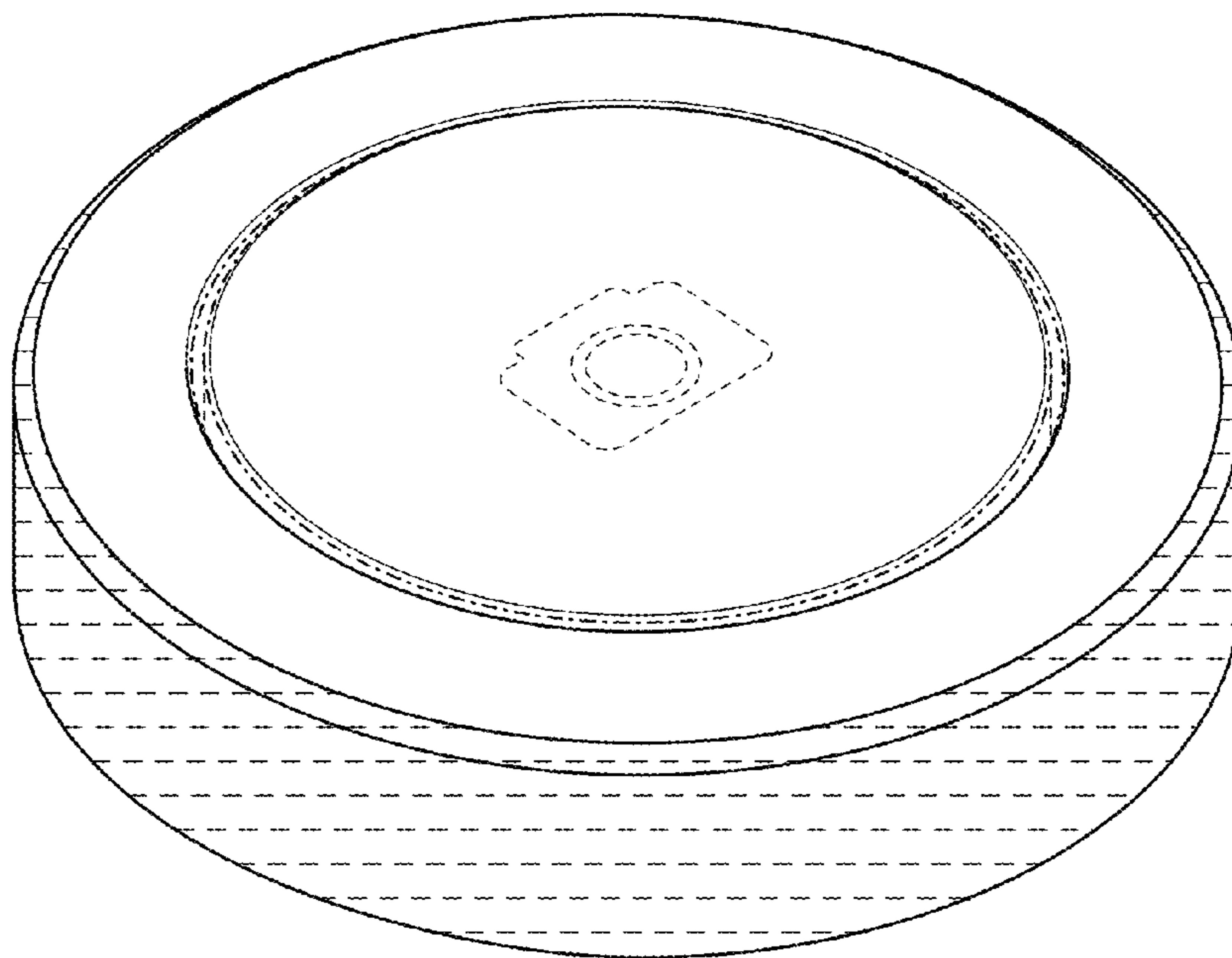


FIG. 20

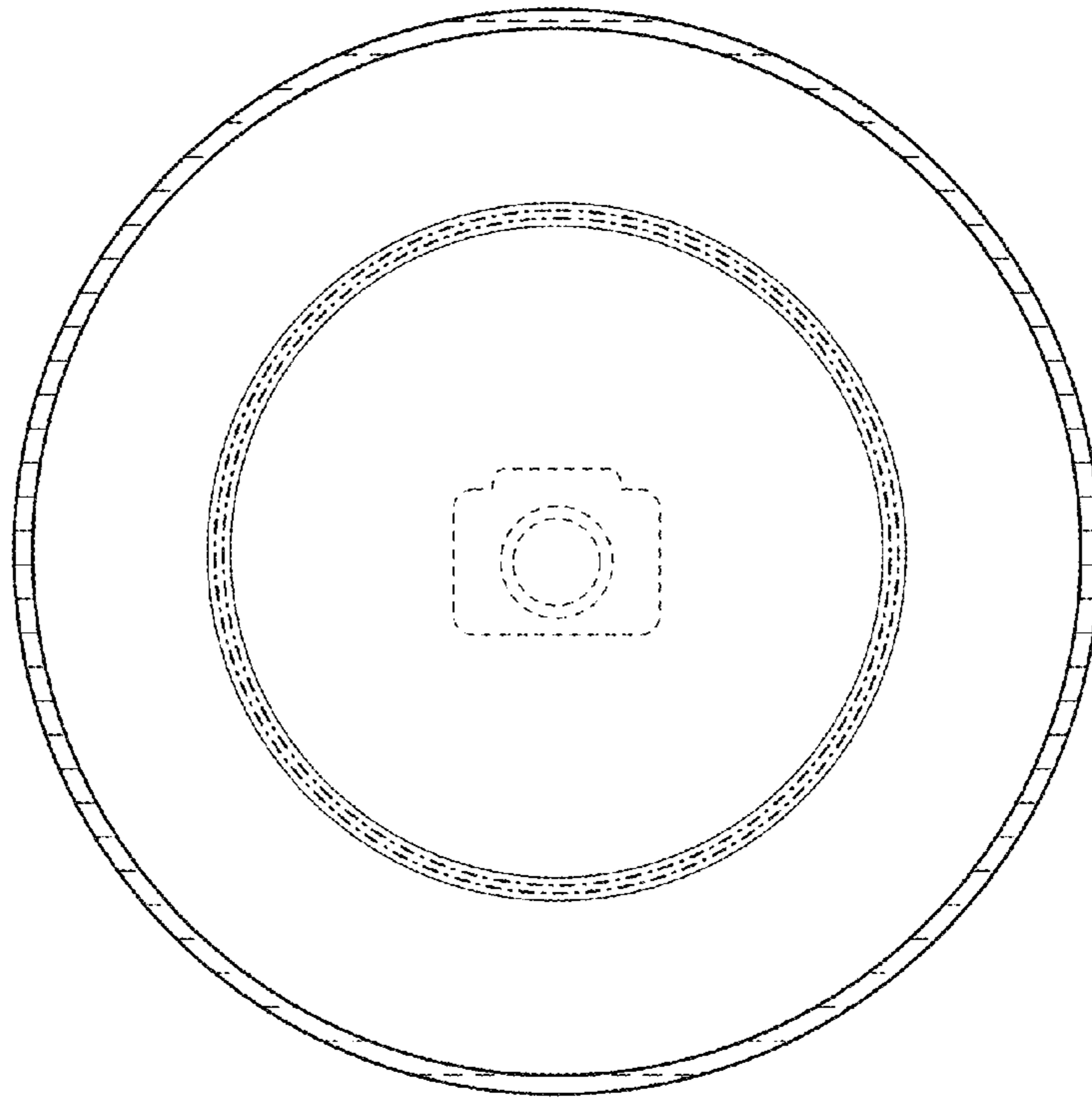


FIG. 21

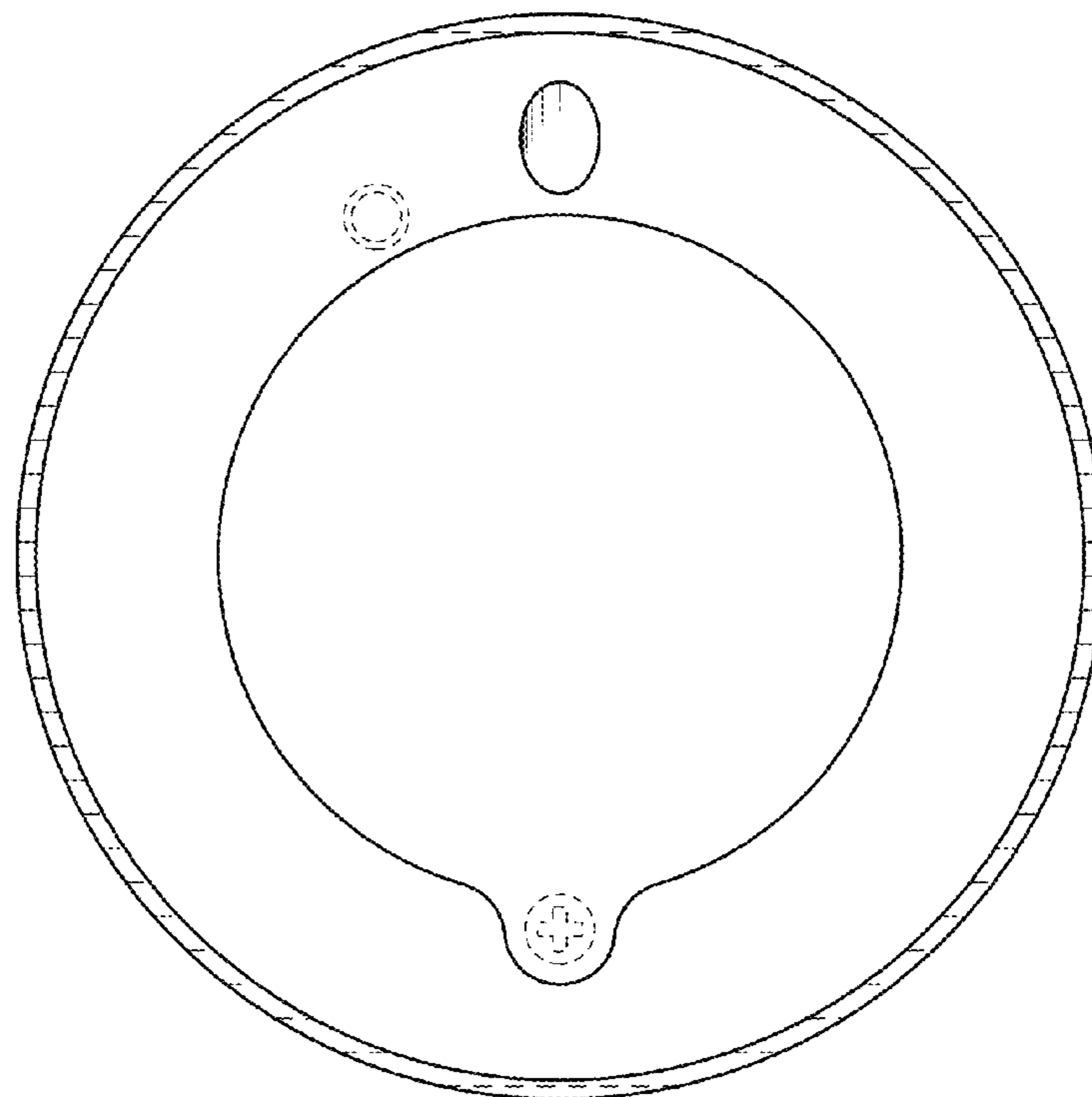


FIG. 22