



US00D766841S

(12) **United States Design Patent** (10) **Patent No.:** **US D766,841 S**  
**Alvarez** (45) **Date of Patent:** **\*\* Sep. 20, 2016**

(54) **FOOT CONTROL**  
(71) Applicant: **A-dec, Inc.**, Newberg, OR (US)  
(72) Inventor: **Jason Alvarez**, Portland, OR (US)  
(73) Assignee: **A-dec, Inc.**, Newberg, OR (US)  
(\*\*) Term: **14 Years**  
(21) Appl. No.: **29/519,420**  
(22) Filed: **Mar. 4, 2015**  
(51) **LOC (10) Cl.** ..... **13-03**  
(52) **U.S. Cl.**  
USPC ..... **D13/167**  
(58) **Field of Classification Search**  
USPC ..... D13/167; D24/179; D17/20, 99;  
D9/432  
CPC ..... A61B 17/00; A61B 2017/00973;  
A61C 1/0023; H01H 3/14; H01H 13/14;  
H01H 13/16; H01H 21/26; G06F 3/0334  
See application file for complete search history.

(56) **References Cited**  
U.S. PATENT DOCUMENTS  
4,114,275 A \* 9/1978 Jones ..... A61C 1/0023  
433/101  
4,751,354 A \* 6/1988 Walthall ..... H01H 21/26  
200/322  
D316,249 S \* 4/1991 King-Pei ..... D13/167  
D342,720 S \* 12/1993 Phleps ..... D13/167  
D379,349 S \* 5/1997 Nichols ..... D13/167  
5,745,055 A \* 4/1998 Redlich ..... G06F 3/03548  
341/20  
D398,290 S \* 9/1998 McClintock ..... D13/167  
5,886,685 A \* 3/1999 Best ..... G06F 3/039  
345/156  
6,040,537 A \* 3/2000 McClintock ..... H01H 21/26  
200/86.5  
6,450,886 B1 \* 9/2002 Oishi ..... G06F 3/023  
200/61.1  
D474,402 S \* 5/2003 Baerenwald ..... D9/420  
6,611,250 B1 \* 8/2003 Prince ..... G06F 3/0334  
345/157

6,802,113 B2 \* 10/2004 Staker ..... B60K 26/021  
123/361  
D519,467 S \* 4/2006 Chow ..... D13/167  
D531,023 S \* 10/2006 Tanner ..... D9/423  
D542,740 S \* 5/2007 Pollard ..... D13/167  
D543,512 S \* 5/2007 Schurg ..... D13/167  
7,439,463 B2 \* 10/2008 Brenner ..... A61C 1/0023  
200/86.5  
D660,255 S \* 5/2012 James ..... D13/167  
D667,005 S \* 9/2012 Lutz ..... D14/314  
D671,081 S \* 11/2012 Becker ..... D13/167  
9,035,165 B2 \* 5/2015 Cho ..... G10H 1/0008  
84/746

(Continued)

**OTHER PUBLICATIONS**

A-dec, Inc., "A-dec 300 Brochure,"(2015).

(Continued)

*Primary Examiner* — Selina Sikder  
(74) *Attorney, Agent, or Firm* — Klarquist Sparkman, LLP

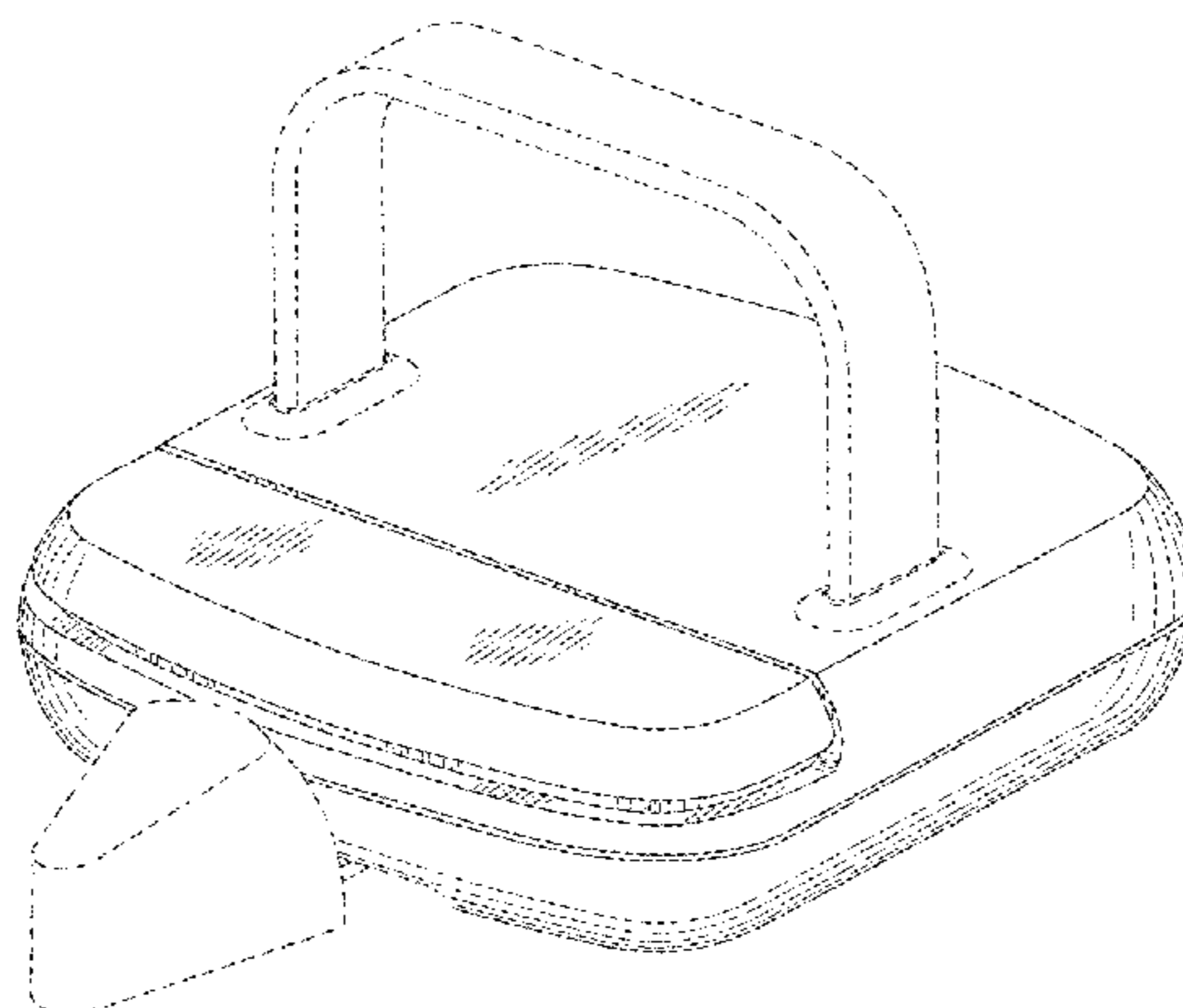
(57) **CLAIM**

I claim the ornamental design for a foot control, as shown and described.

**DESCRIPTION**

FIG. 1 is a perspective view of a foot control showing a top and two sides.  
FIG. 2 is a top plan view of the foot control of FIG. 1.  
FIG. 3 is a front side elevation view of the foot control of FIG. 1.  
FIG. 4 is a rear side elevation view of the foot control of FIG. 1.  
FIG. 5 is a right side elevation view of the foot control of FIG. 1; and,  
FIG. 6 is a left side elevation view of the foot control of FIG. 1.  
The broken line showings of a handle, an actuator and an opening form no part of the claimed design. The bottom of the foot control forms no part of the claimed design.

**1 Claim, 2 Drawing Sheets**



(56)

**References Cited**

**OTHER PUBLICATIONS**

U.S. PATENT DOCUMENTS

2005/0147940 A1\* 7/2005 Mace ..... A61C 1/0023  
433/101  
2007/0254261 A1\* 11/2007 Rosenblood ..... A61C 1/0015  
433/98  
2009/0205937 A1\* 8/2009 Kuehner ..... H01H 21/26  
200/86.5  
2011/0069003 A1\* 3/2011 Konishi ..... A63F 13/10  
345/156  
2015/0055804 A1\* 2/2015 Beklemisev ..... H04R 3/00  
381/119  
2016/0067010 A1\* 3/2016 Nam ..... A61C 1/084  
433/27

A-dec, Inc., "A-dec 500 Brochure,"(2015).  
A-dec, Inc., "A-dec 500 Delivery Systems, Models 532, 533, and  
542," (2014).  
A-dec, Inc., "Owner's Guide, Decade 1021 Solo Chair," (1995).  
A-dec, Inc., "Performer III Brochure," (2014).

\* cited by examiner

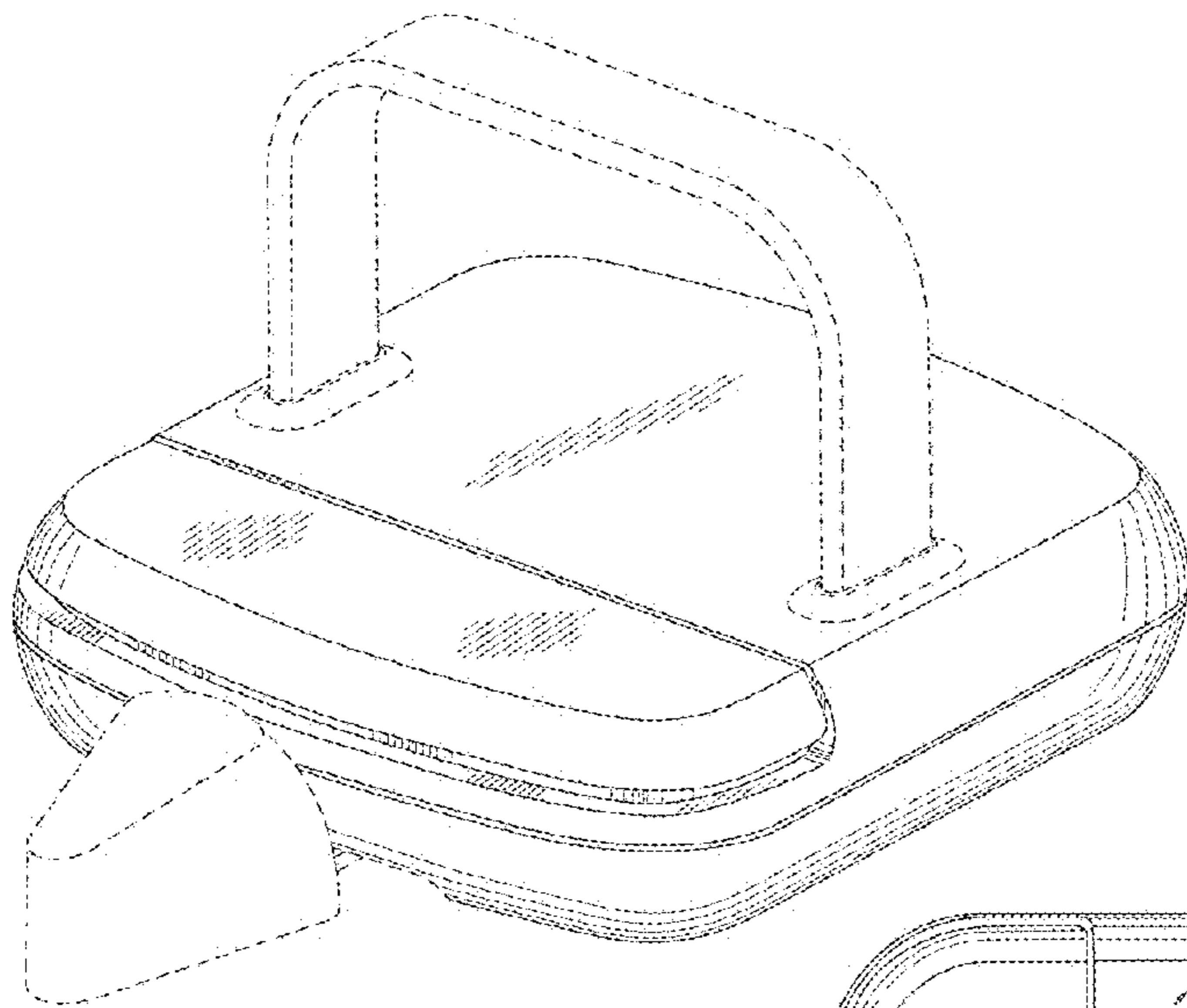


FIG. 1

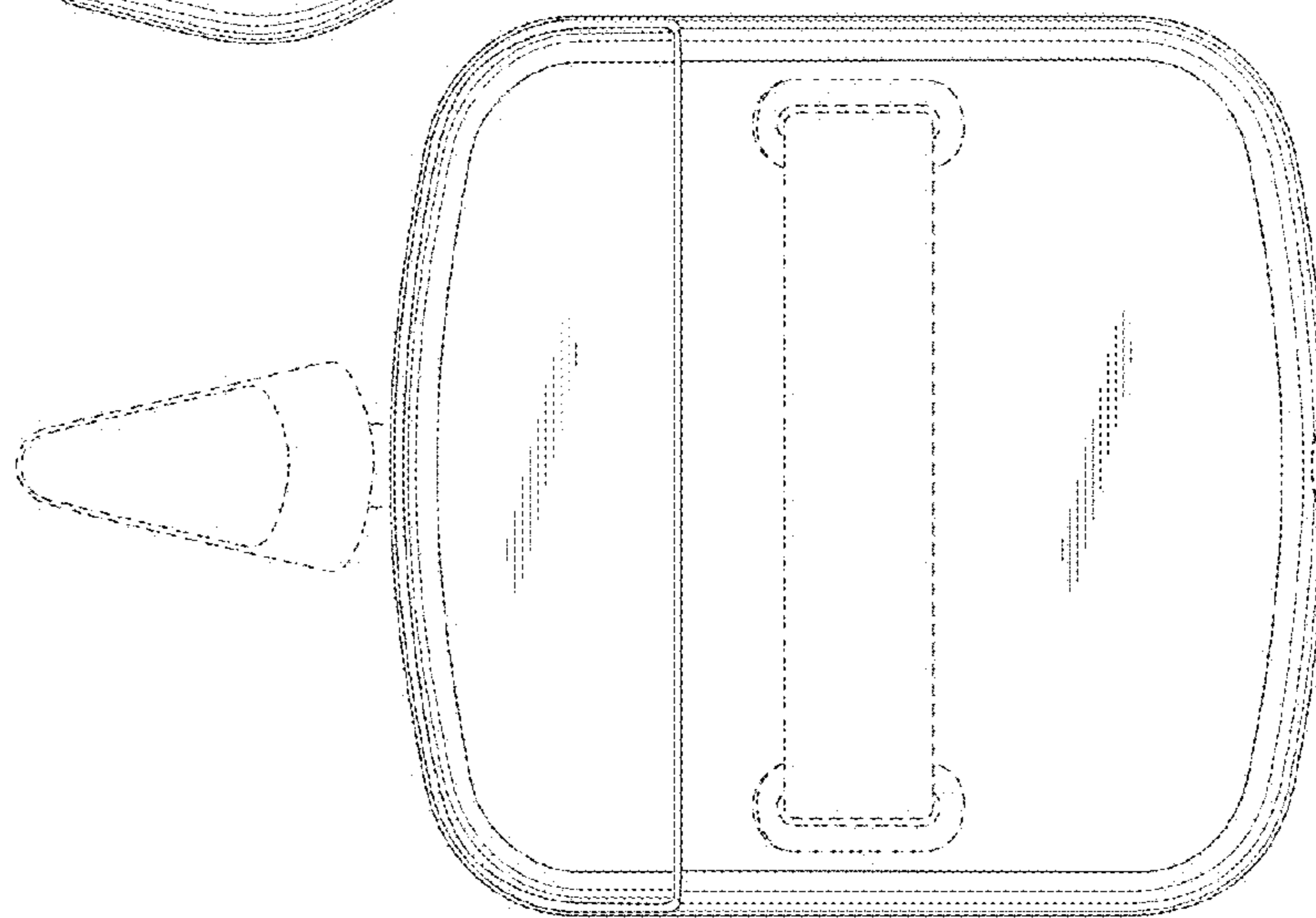


FIG. 2

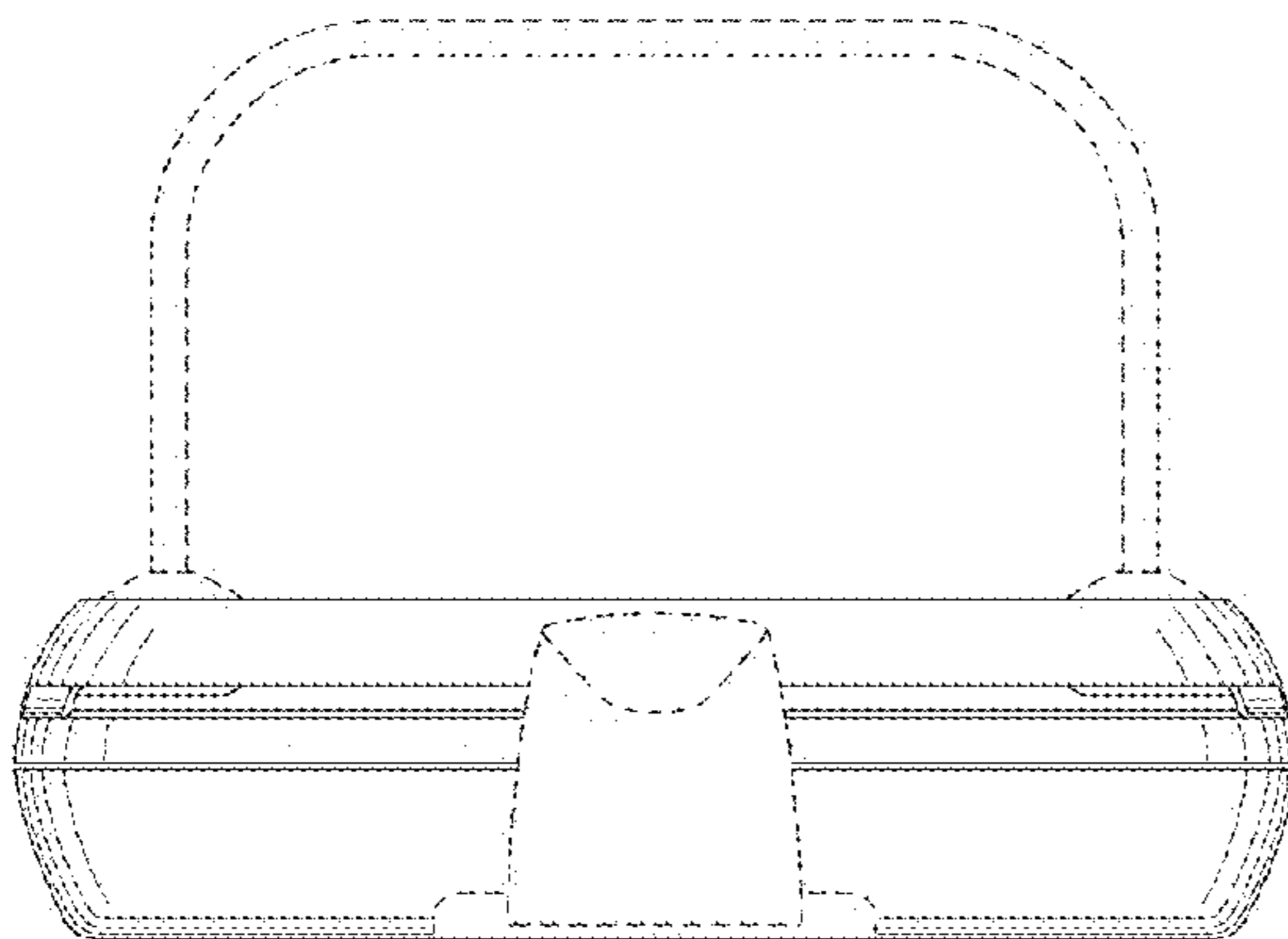


FIG. 3

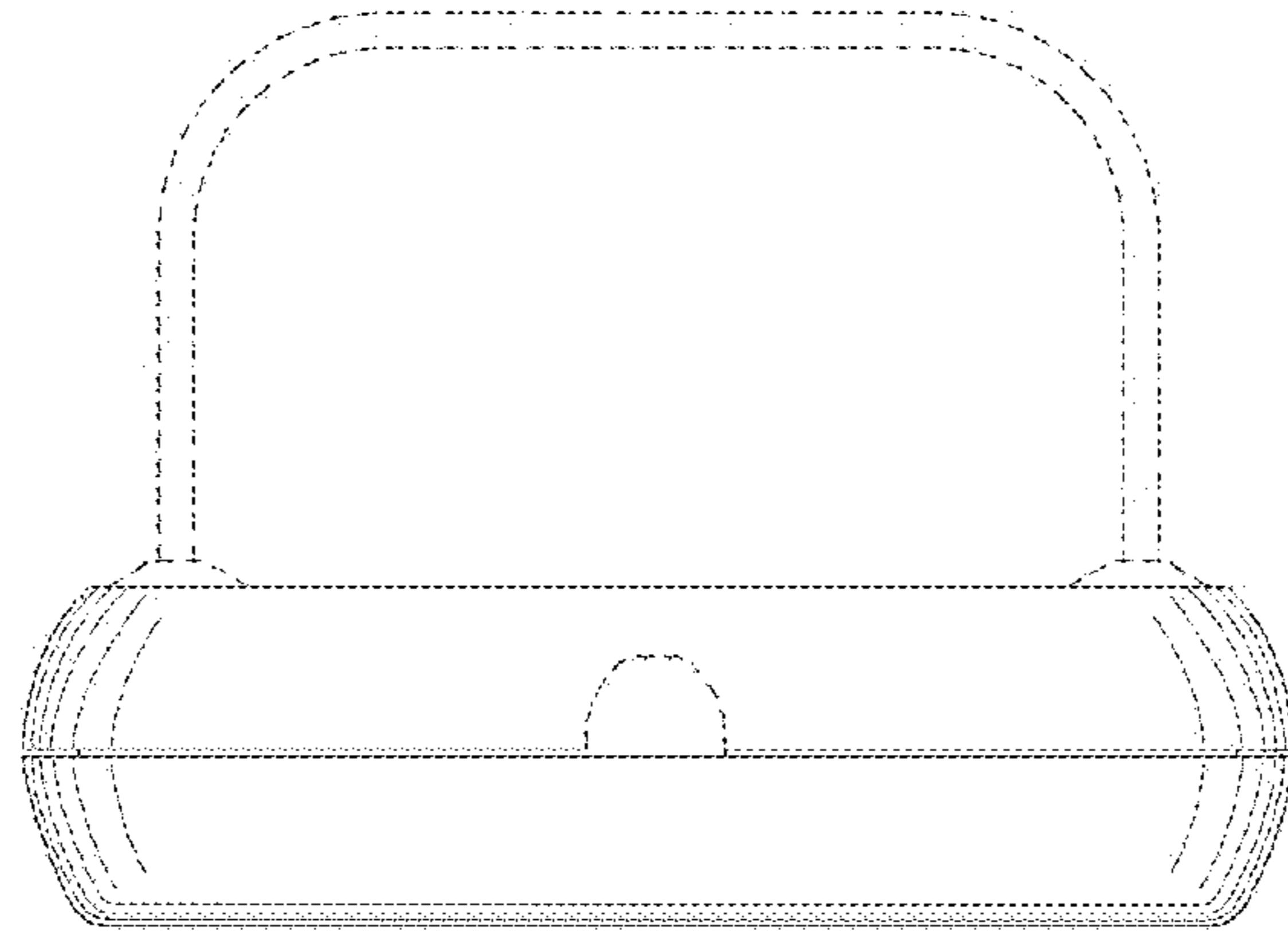


FIG. 4

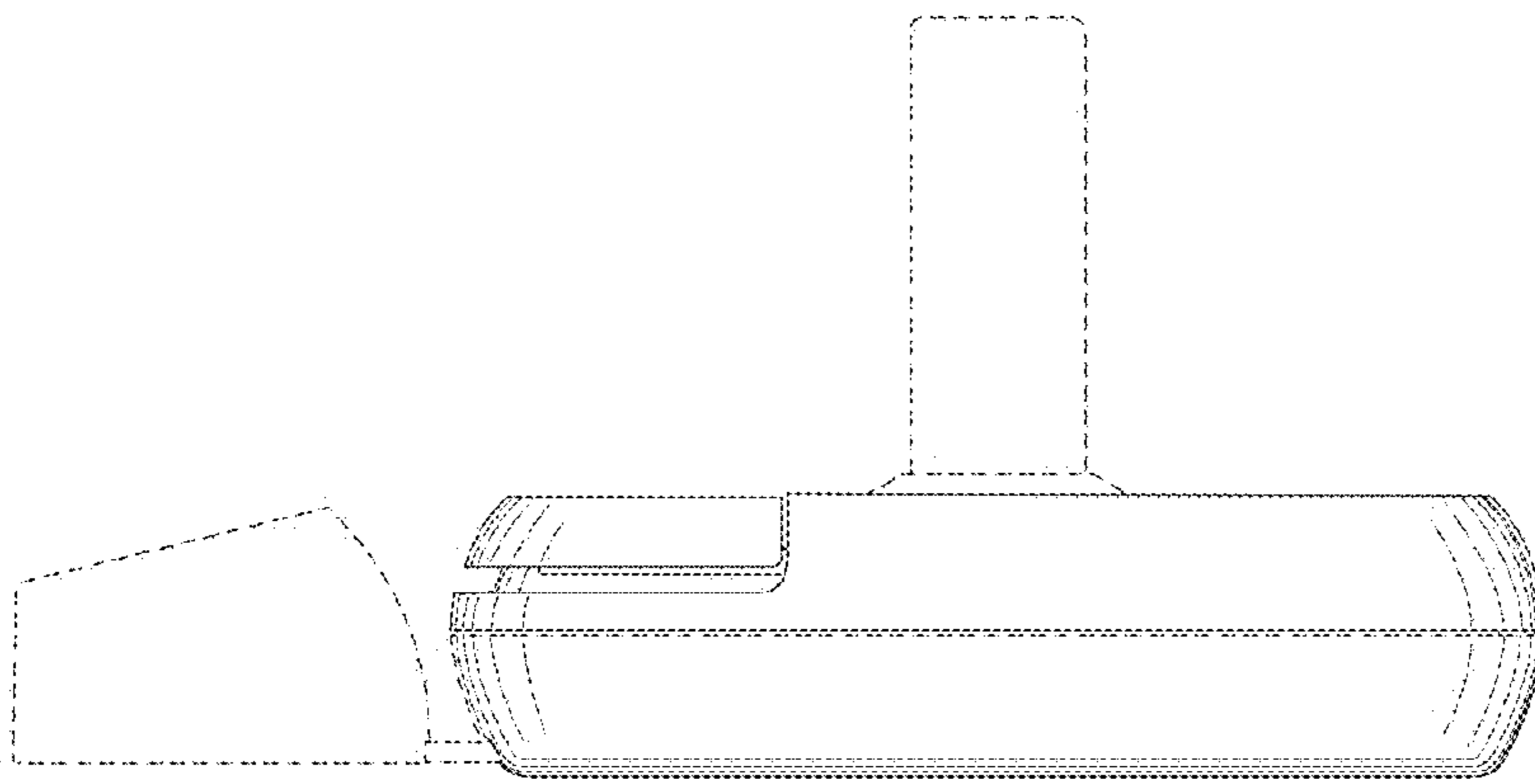


FIG. 5

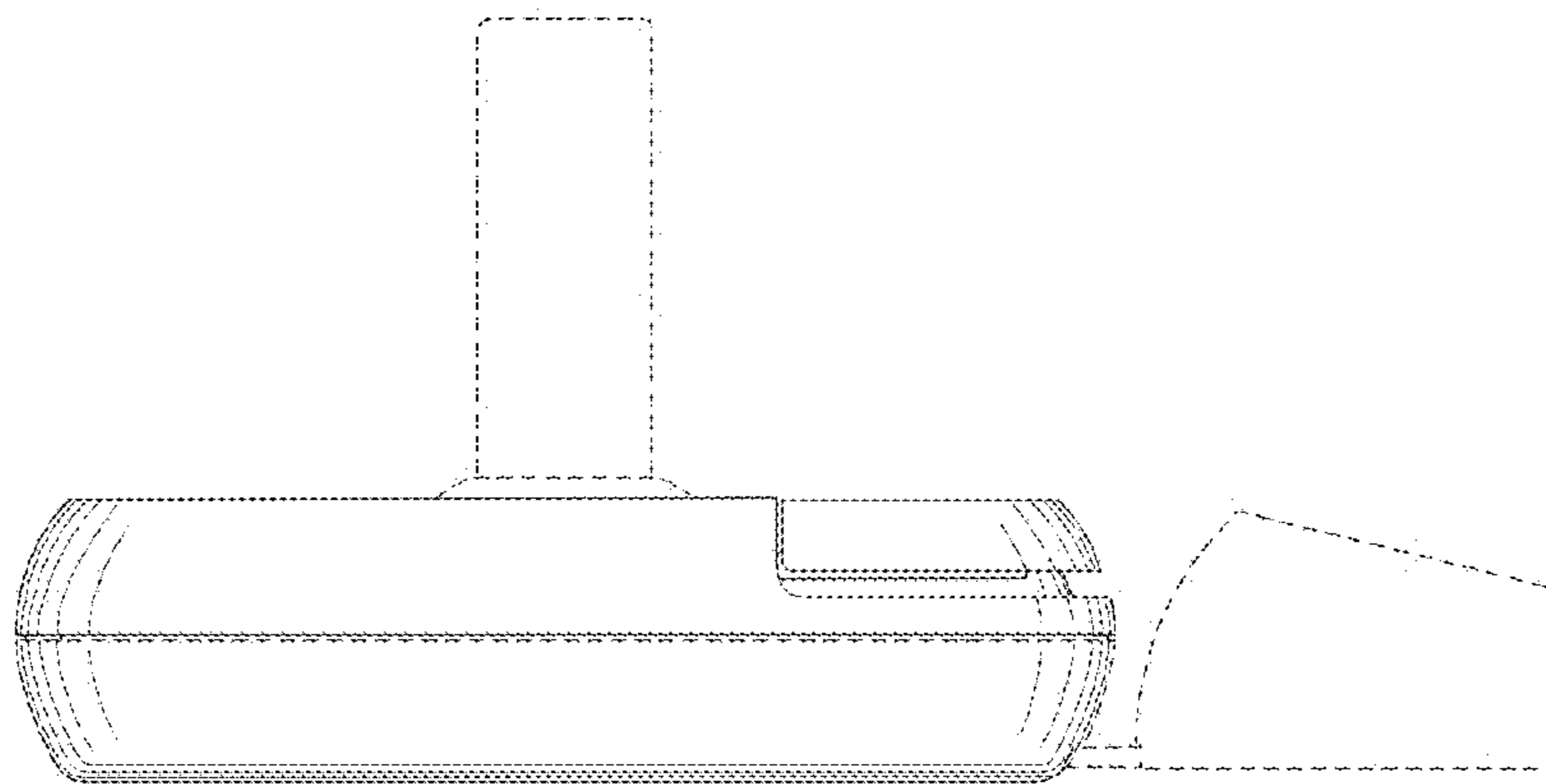


FIG. 6