

US00D766838S

(12) **United States Design Patent** (10) **Patent No.:** **US D766,838 S**
Leal (45) **Date of Patent:** **** Sep. 20, 2016**

(54) **WEATHERPROOF GFI ELECTRICAL PLUG COVER**

(71) Applicant: **Allen Leal**, Bryan, TX (US)

(72) Inventor: **Allen Leal**, Bryan, TX (US)

(**) Term: **14 Years**

(21) Appl. No.: **29/526,118**

(22) Filed: **May 6, 2015**

(51) **LOC (10) Cl.** **13-03**

(52) **U.S. Cl.**
USPC **D13/156**

(58) **Field of Classification Search**
USPC D13/156, 152, 133, 120, 121, 123, 158,
D13/160, 173, 178, 184, 199; 220/242, 3.8;
D8/352; 174/50, 67, 92, 93; 439/142,
439/149
CPC H02G 3/088; H01R 13/447; H01R
13/5213; H01R 2201/26
See application file for complete search history.

(56) **References Cited**

U.S. PATENT DOCUMENTS

- 1,455,399 A * 5/1923 Keavaney H01R 13/447
220/242
- 2,465,079 A * 3/1949 Fitzgerald H01H 9/104
16/333
- 3,204,807 A * 9/1965 Ramsing H02B 1/44
174/67
- 3,252,611 A 5/1966 Weitzman et al.
- 3,613,044 A * 10/1971 Rarick H01R 13/72
174/67
- D227,989 S * 7/1973 Geisel D13/156
- 3,811,004 A * 5/1974 Moore H02G 3/14
174/67
- 4,058,358 A * 11/1977 Carlisle H01R 13/447
220/242
- 4,265,365 A 5/1981 Boteler
- D283,007 S * 3/1986 Henkel D13/156
- 4,874,906 A 10/1989 Shotey
- 5,228,584 A 7/1993 Williams, Jr.
- 5,527,993 A * 6/1996 Shotey H02G 3/088
174/67

- 5,571,023 A * 11/1996 Anthony H02G 3/14
220/242
- D395,283 S 6/1998 Monaco et al.
- 5,879,184 A 3/1999 Lopez
- D433,385 S * 11/2000 De brey D13/152
- 6,469,249 B2 * 10/2002 Capella H01R 13/447
174/66
- D528,983 S * 9/2006 Solida D13/133
- 7,166,801 B1 1/2007 Gretz
- D539,229 S * 3/2007 Murphey D13/155
- 7,265,292 B2 9/2007 Greenfield
- D553,306 S * 10/2007 Hansen D13/139.4
- D569,811 S * 5/2008 Kinnard D13/156
- D605,121 S * 12/2009 Dennes D13/133
174/66
- 7,968,794 B1 * 6/2011 Baldwin H02G 3/18
174/66
- D666,472 S * 9/2012 Schutte D13/156

(Continued)

OTHER PUBLICATIONS

Leal, Allen. "Waterproof Electrical Outlet." Online Video Clip. YouTube.com, Published Oct. 3, 2014: <https://www.youtube.com/watch?v=j8LGiiSNbgQ>. Accessed May 24, 2016.*

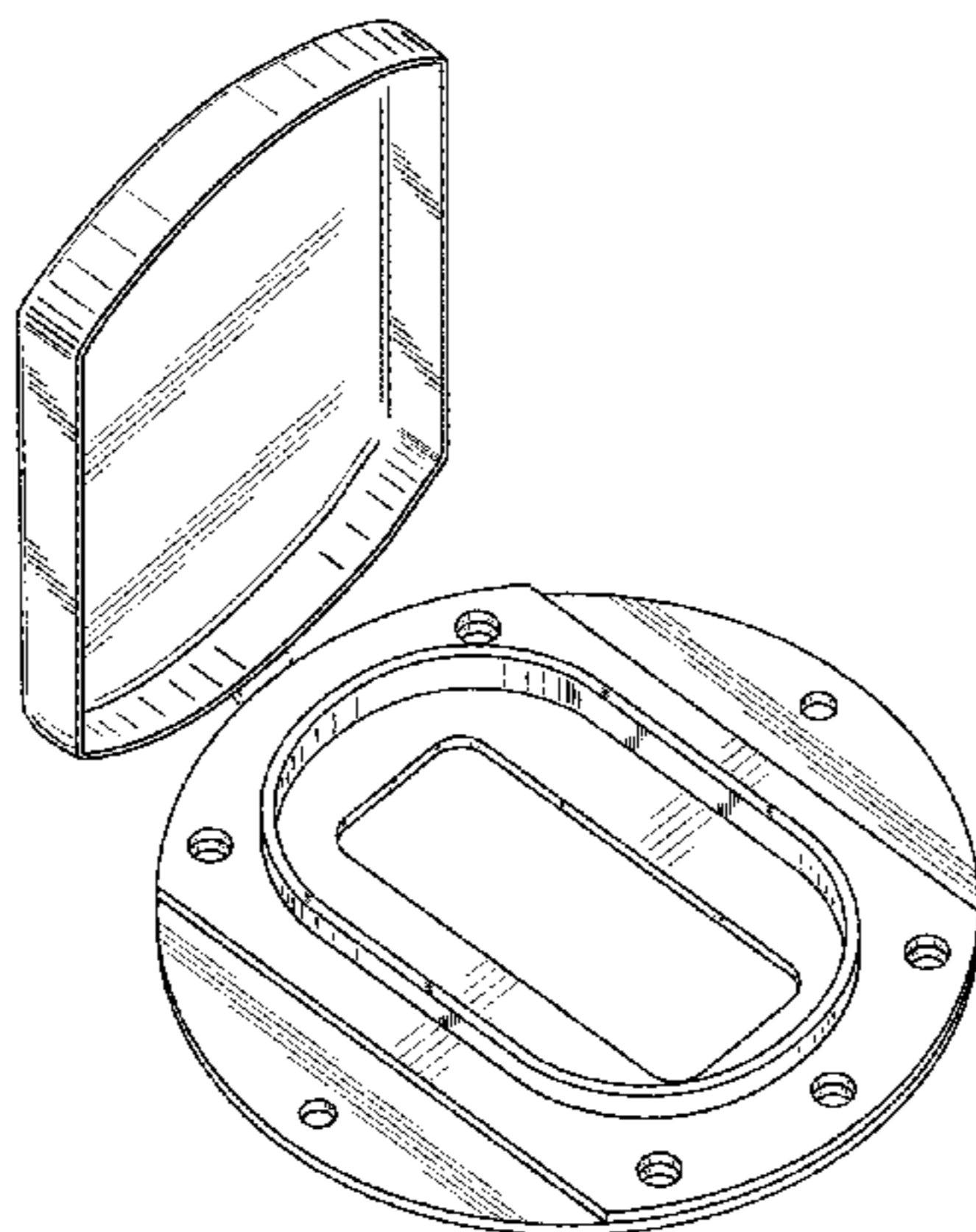
Primary Examiner — Derrick Holland
Assistant Examiner — Jennifer O King
(74) *Attorney, Agent, or Firm* — Robert C. Montgomery; Montgomery Patent and Design, LP.

(57) **CLAIM**
The ornamental design for a weatherproof GFI electrical plug cover, as shown and described.

DESCRIPTION

FIG. 1 is a perspective view of a weatherproof GFI electrical plug cover with the lid in a closed position; FIG. 2 is another perspective view of the weatherproof GFI electrical plug cover with the lid in an open position; FIG. 3 is a front view of FIG. 2; FIG. 4 is a rear view of FIG. 2; FIG. 5 is a left-hand side view of FIG. 2, wherein a right-hand side view is a mirror image of the left-hand side view; FIG. 6 is a top view of FIG. 2; and, FIG. 7 is a bottom view of FIG. 2.

1 Claim, 7 Drawing Sheets



(56)

References Cited

U.S. PATENT DOCUMENTS

D698,317 S *	1/2014	Baldwin	D13/152	D754,079 S *	4/2016	Baldwin	D13/156
D699,687 S *	2/2014	Baldwin	D13/156	9,325,161 B2 *	4/2016	Dahl	H02G 3/088
D726,125 S *	4/2015	Baldwin	D13/156	2004/0123997 A1 *	7/2004	Drane	H02G 3/088
D746,238 S *	12/2015	Sumwalt	D13/156					174/67
9,276,389 B1 *	3/2016	Elbaz	H02G 3/14	2012/0312577 A1 *	12/2012	Carbone	H02G 3/088
									174/66
					2016/0072266 A1 *	3/2016	Bulancea	H02G 3/14
									174/67

* cited by examiner

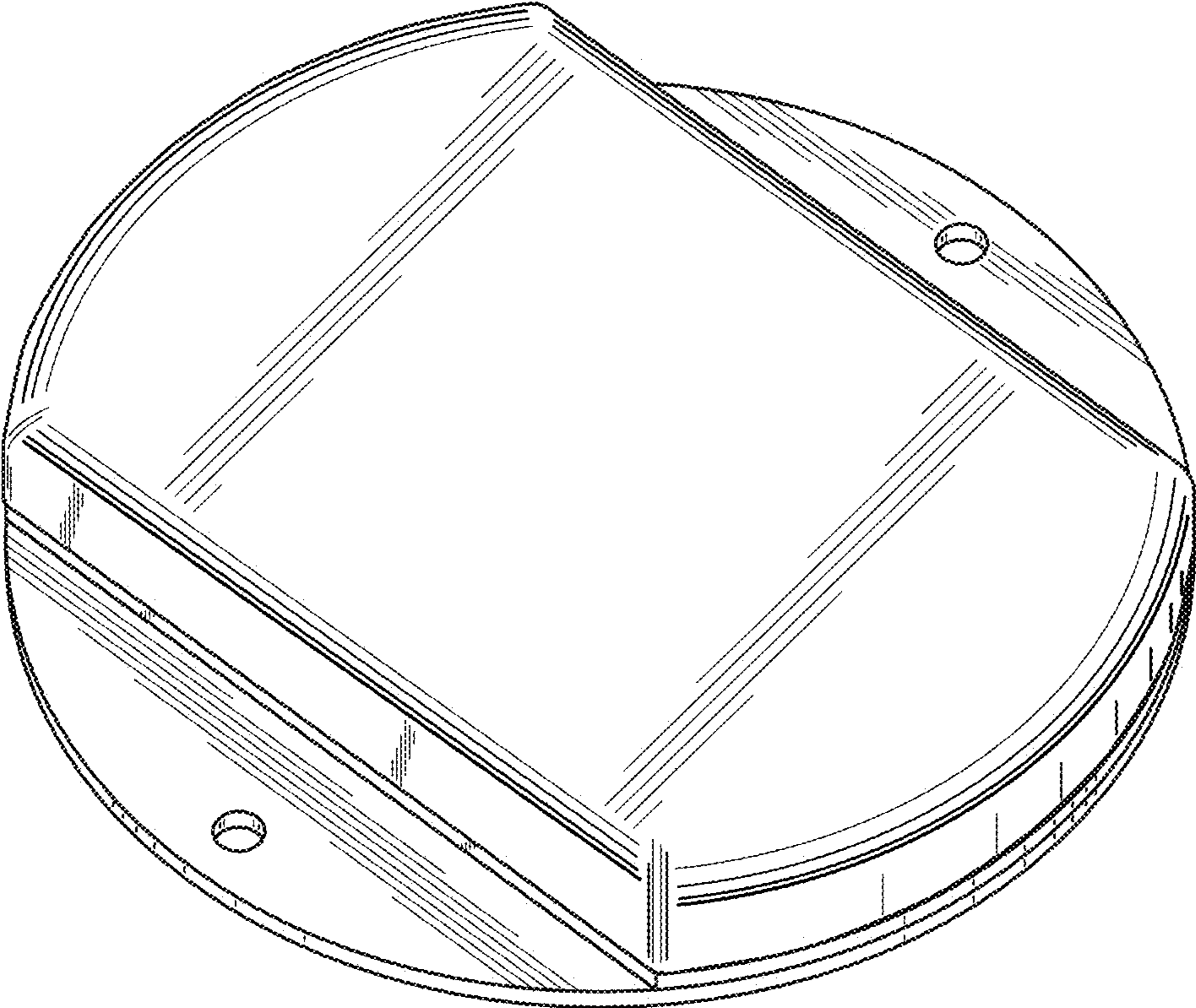


Fig. 1

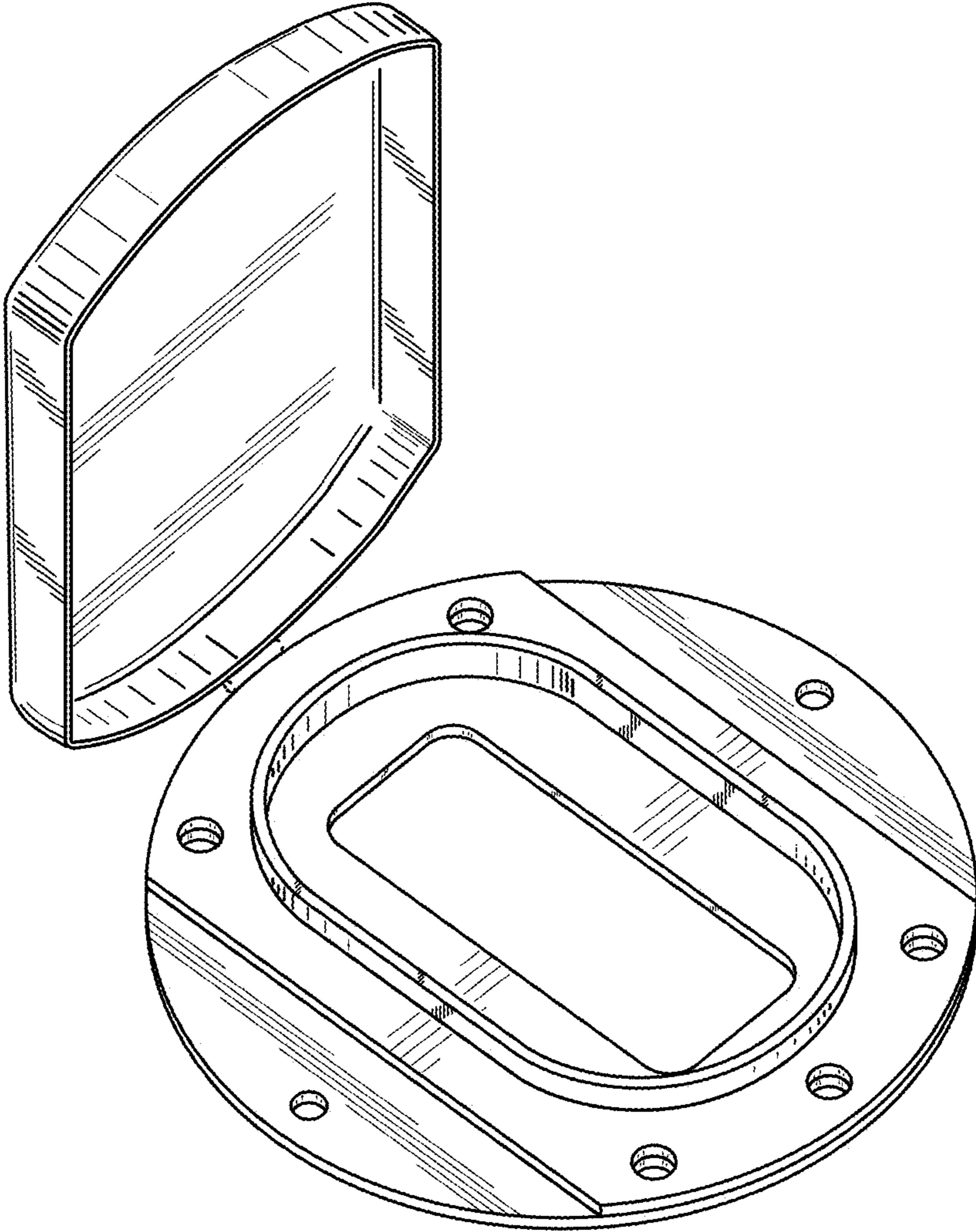


Fig. 2

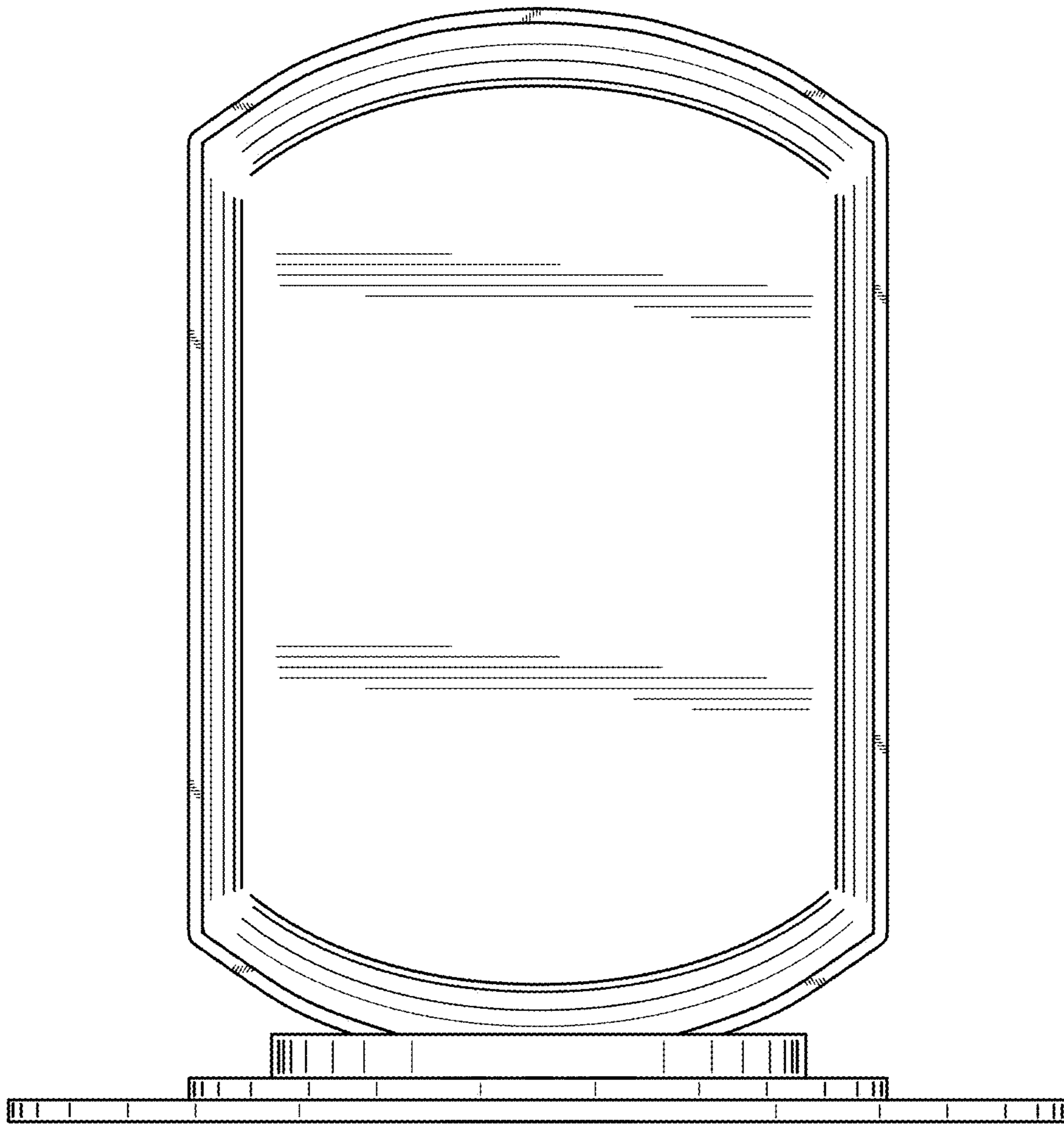


Fig. 3

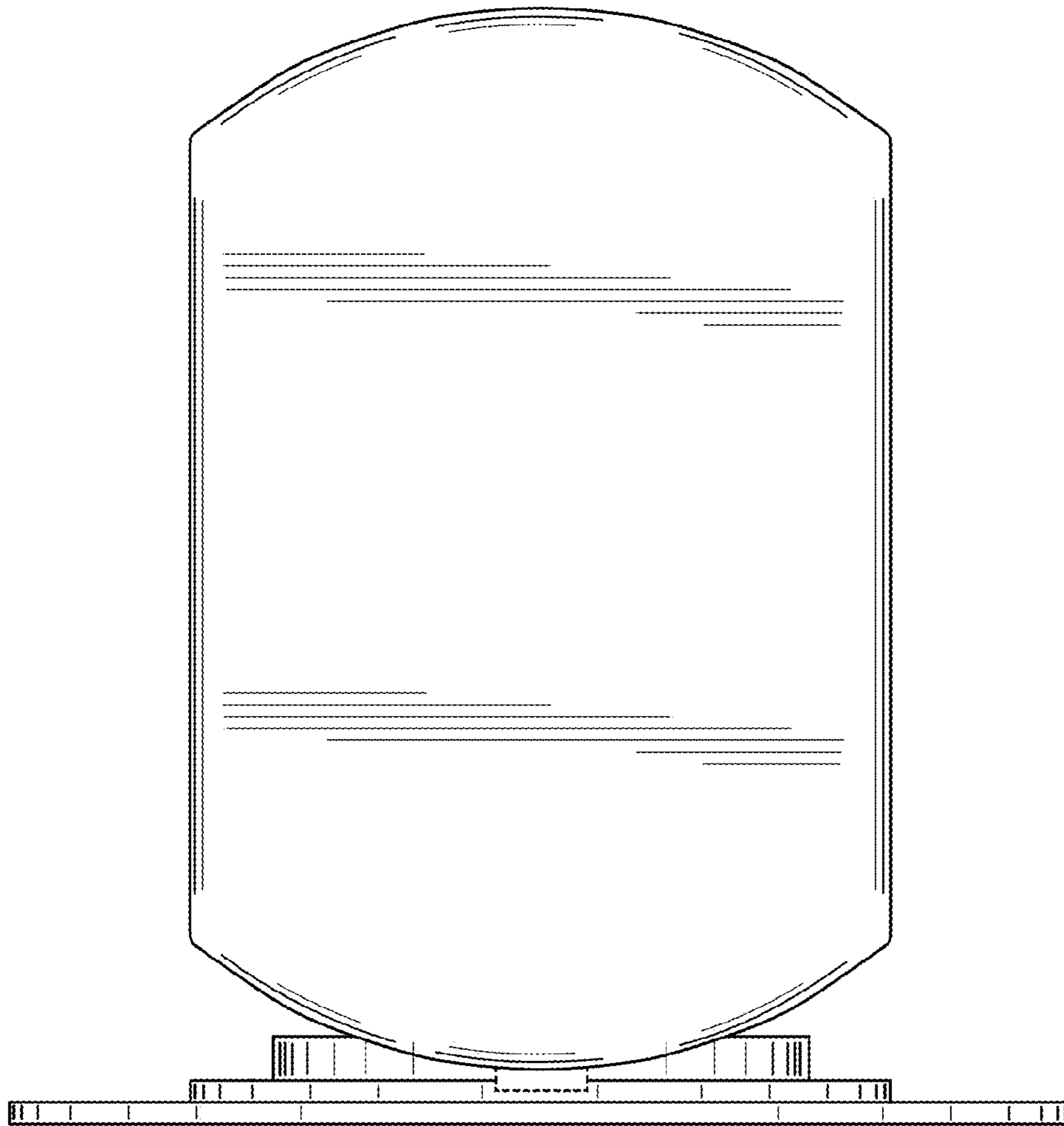


Fig. 4

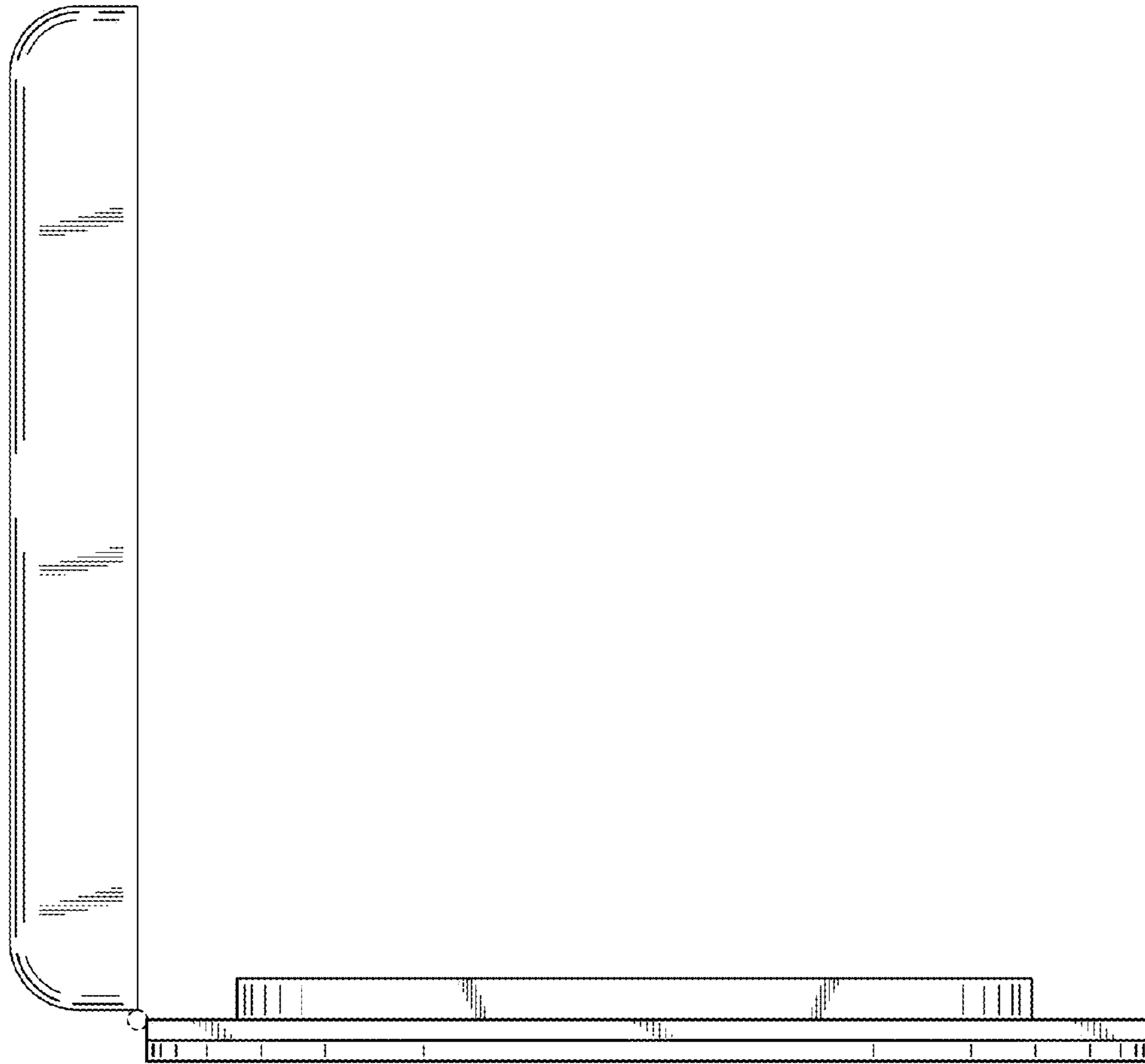


Fig. 5

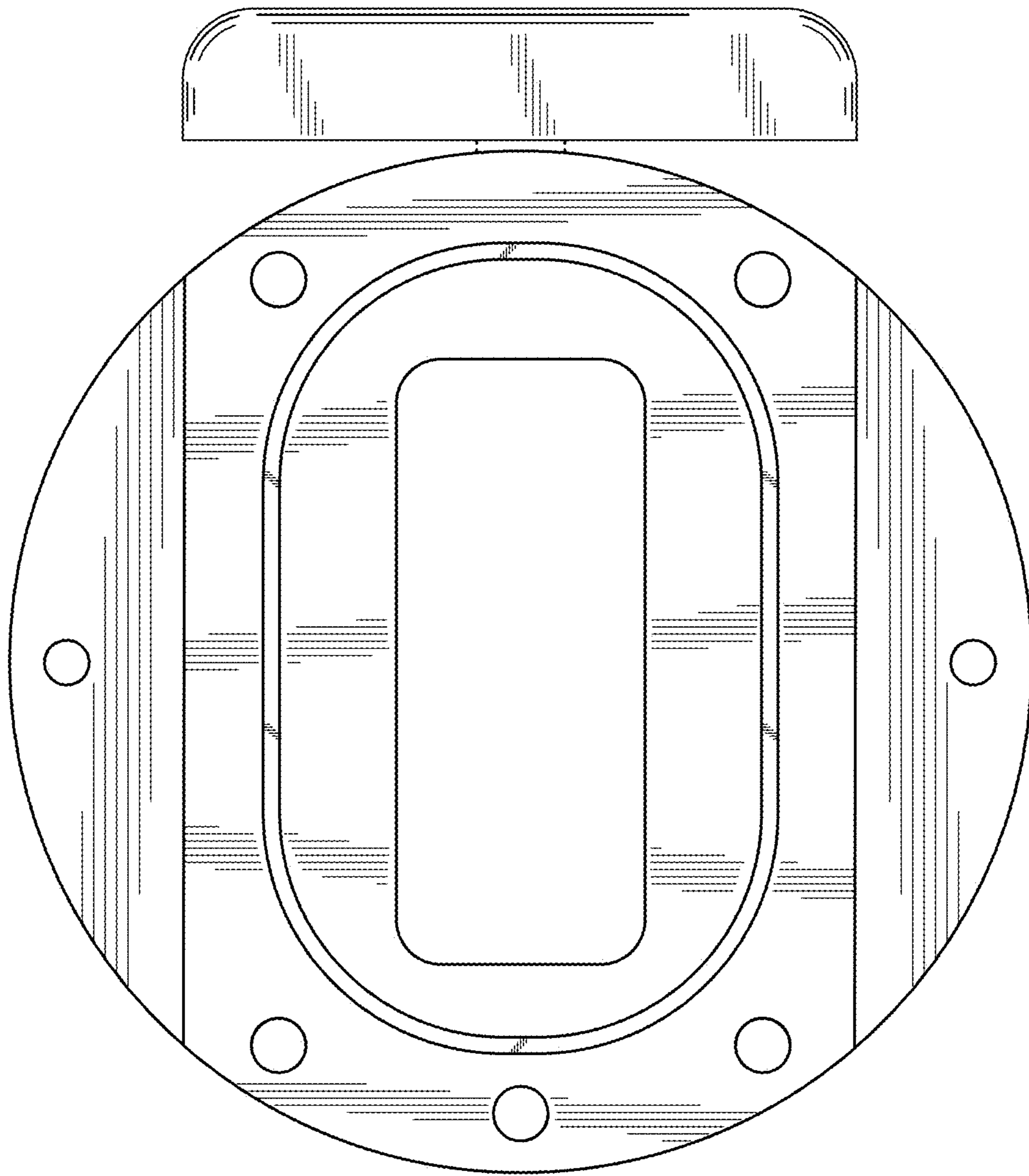


Fig. 6

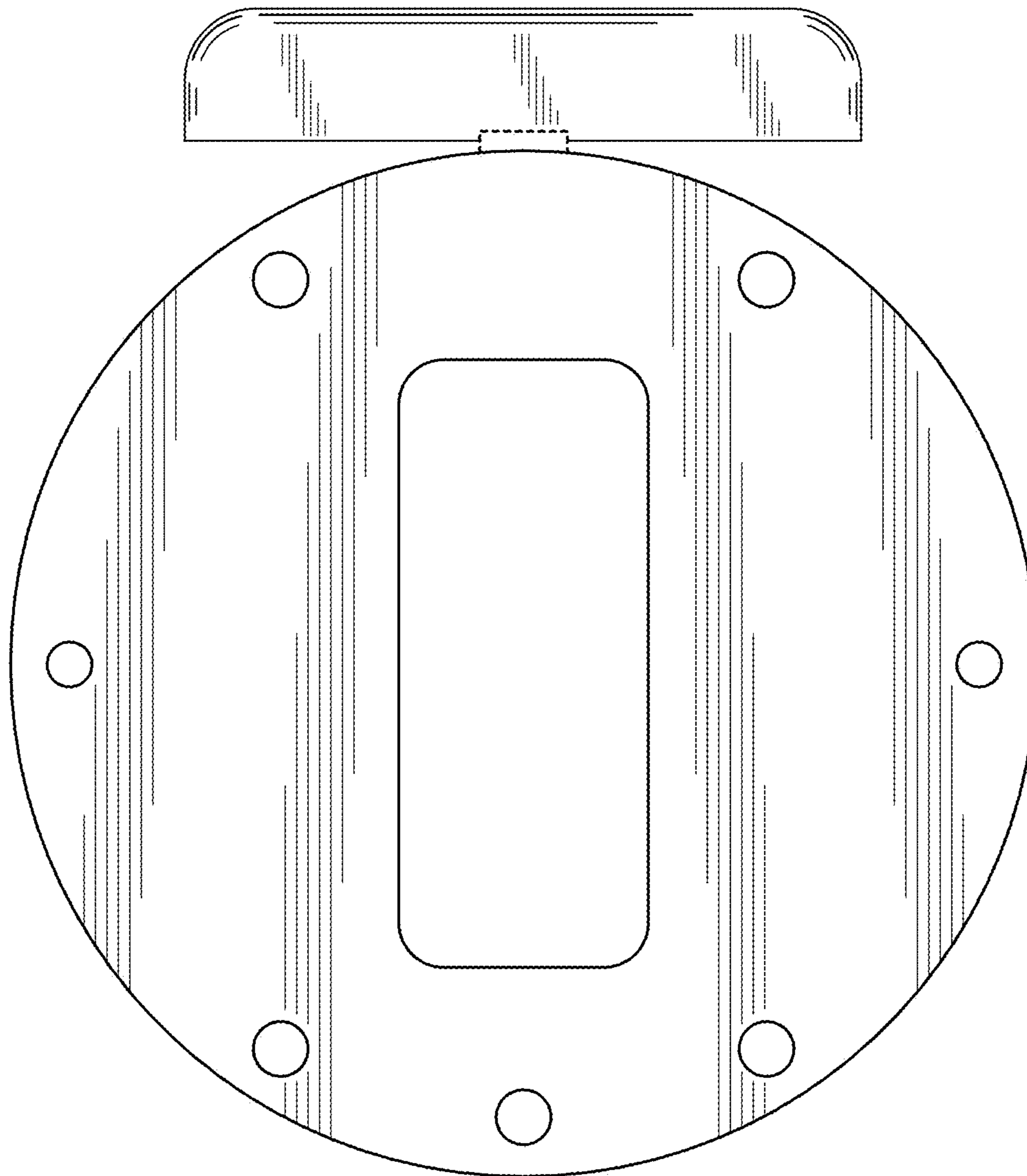


Fig. 7