



US00D766837S

(12) **United States Design Patent** (10) **Patent No.:** **US D766,837 S**
Bender (45) **Date of Patent:** **** Sep. 20, 2016**

(54) **CONDUIT END**
(71) Applicant: **O’KOTE INC.**, Santa Paula, CA (US)
(72) Inventor: **Ilan Bender**, Encino, CA (US)
(**) Term: **14 Years**
(21) Appl. No.: **29/513,986**
(22) Filed: **Jan. 7, 2015**
(51) **LOC (10) Cl.** **13-03**
(52) **U.S. Cl.**
USPC **D13/155**
(58) **Field of Classification Search**
USPC D13/129, 133, 149, 151, 153–156, 184,
D13/199; 439/271, 275, 277, 283, 285,
439/279 R, 282, 491; 174/74 R, 71 C, 650,
174/656, 665, 659; D8/354, 355
CPC H01R 4/10; H01R 4/18; H01R 4/38;
H01R 4/40; H01R 4/64; H01R 9/2475
See application file for complete search history.

D569,800 S * 5/2008 Holliday D13/133
D572,199 S * 7/2008 Chawgo D13/133
D594,421 S * 6/2009 Lee D13/156
D595,658 S * 7/2009 Licciardi di Stefano D13/151
D605,595 S * 12/2009 Thomas D13/133
7,673,911 B2 * 3/2010 Liu F16L 37/23
285/276
D623,599 S * 9/2010 Purdy D13/151
D659,100 S * 5/2012 Deiss D13/151
D690,657 S * 10/2013 Smith D13/151
D703,147 S * 4/2014 Hanson D13/151
D726,122 S * 4/2015 Su D13/154
2008/0121171 A1 * 5/2008 Hulsey G01K 11/12
116/216

* cited by examiner

Primary Examiner — Derrick Holland
Assistant Examiner — Jennifer O King
(74) *Attorney, Agent, or Firm* — AEON Law; Adam L. K. Philipp

(57) **CLAIM**
An ornamental design for a conduit end, as shown and described.

(56) **References Cited**

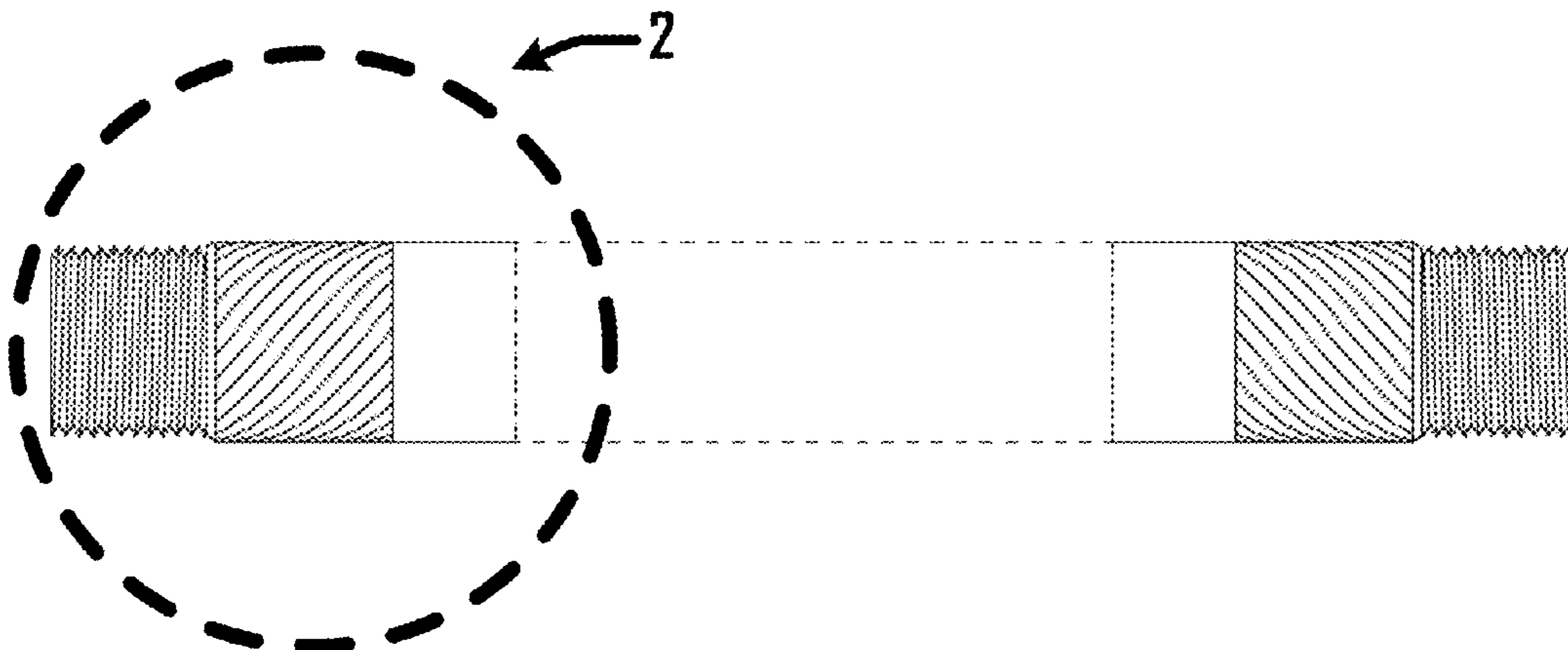
U.S. PATENT DOCUMENTS

3,000,424 A * 9/1961 Weise B21C 37/28
29/890.14
D259,636 S * 6/1981 Coppell D13/151
D262,353 S * 12/1981 Kitson D8/354
D275,848 S * 10/1984 Ricossa D13/133
5,529,513 A * 6/1996 Lee H01R 13/465
439/491
5,641,306 A * 6/1997 Stepniak H01R 13/465
439/489
D399,828 S * 10/1998 Eidsvig D13/156
D443,863 S * 6/2001 Maccarone D13/155
6,861,585 B1 * 3/2005 Kiely H01R 9/2475
174/480
D511,498 S * 11/2005 Holliday D13/151
D538,750 S * 3/2007 Montena D13/133
D549,179 S * 8/2007 Amidon D13/151
D561,691 S * 2/2008 Holliday D13/133
D561,693 S * 2/2008 Holliday D13/133

DESCRIPTION

FIG. 1 is a top elevation view of a conduit end showing my new design, the side elevation view being a mirror image; FIG. 2 is an enlarged fragmental view thereof, taken from FIG. 1; FIG. 3 is a top view thereof, shown in an alternative configuration; the side elevation view being a mirror image; and, FIG. 4 is an isometric view thereof. The broken lines shown represent unclaimed subject matter and form no part of the claimed design. A coated conduit end comprising a male threaded portion, a first portion abutting the male threaded portion and a second portion abutting the first portion, wherein the first and second portions are distinguished from each other by a perceivable demarcation.

1 Claim, 4 Drawing Sheets



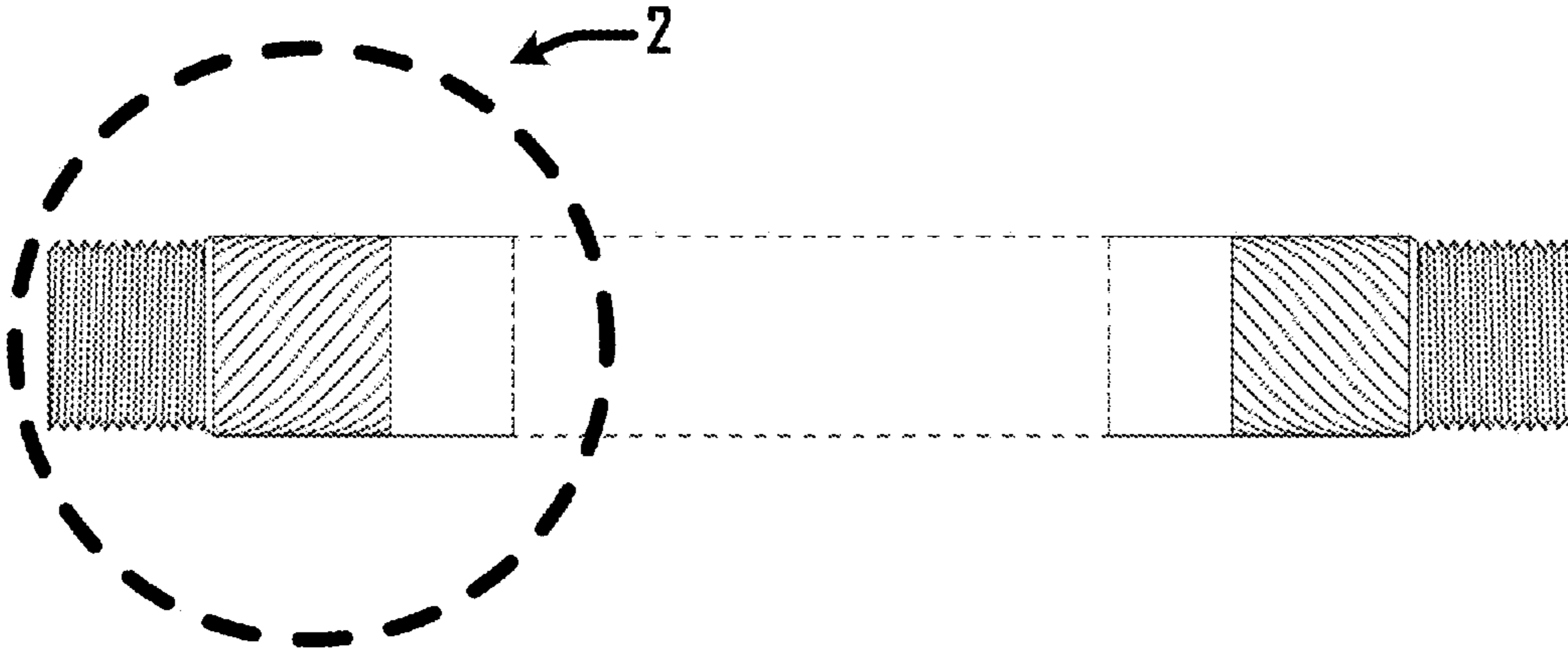


Fig. 1

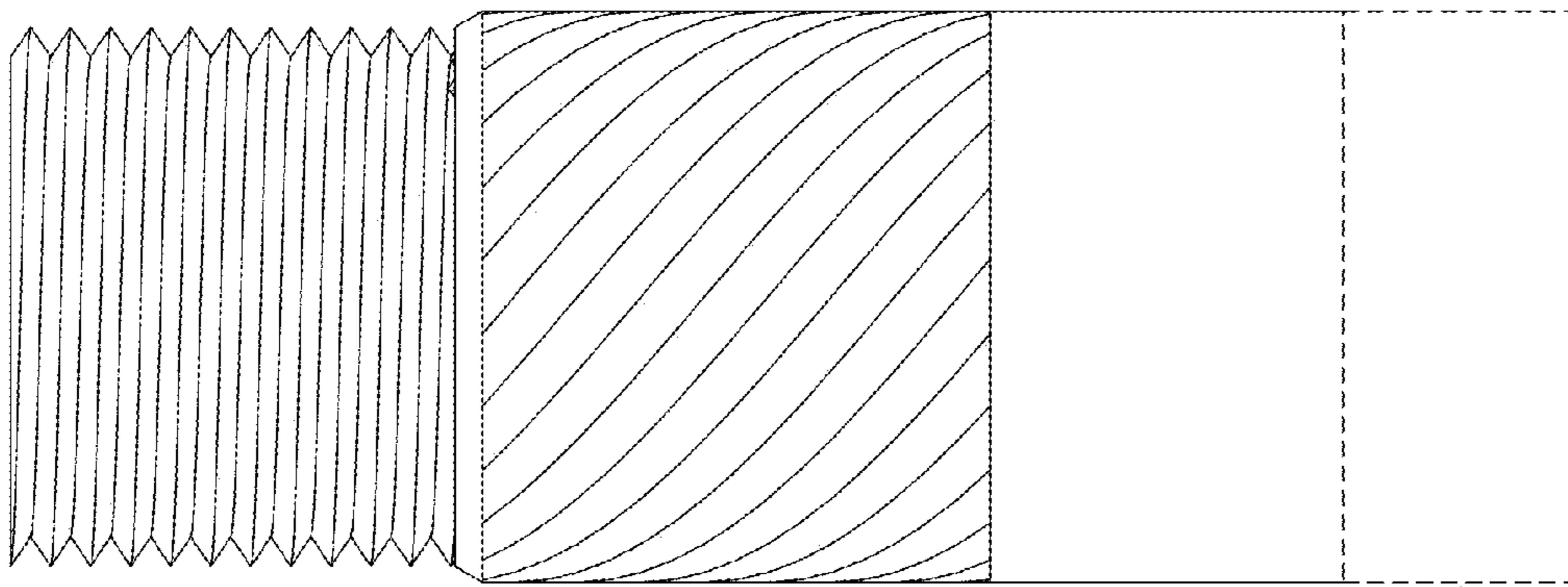


Fig. 2

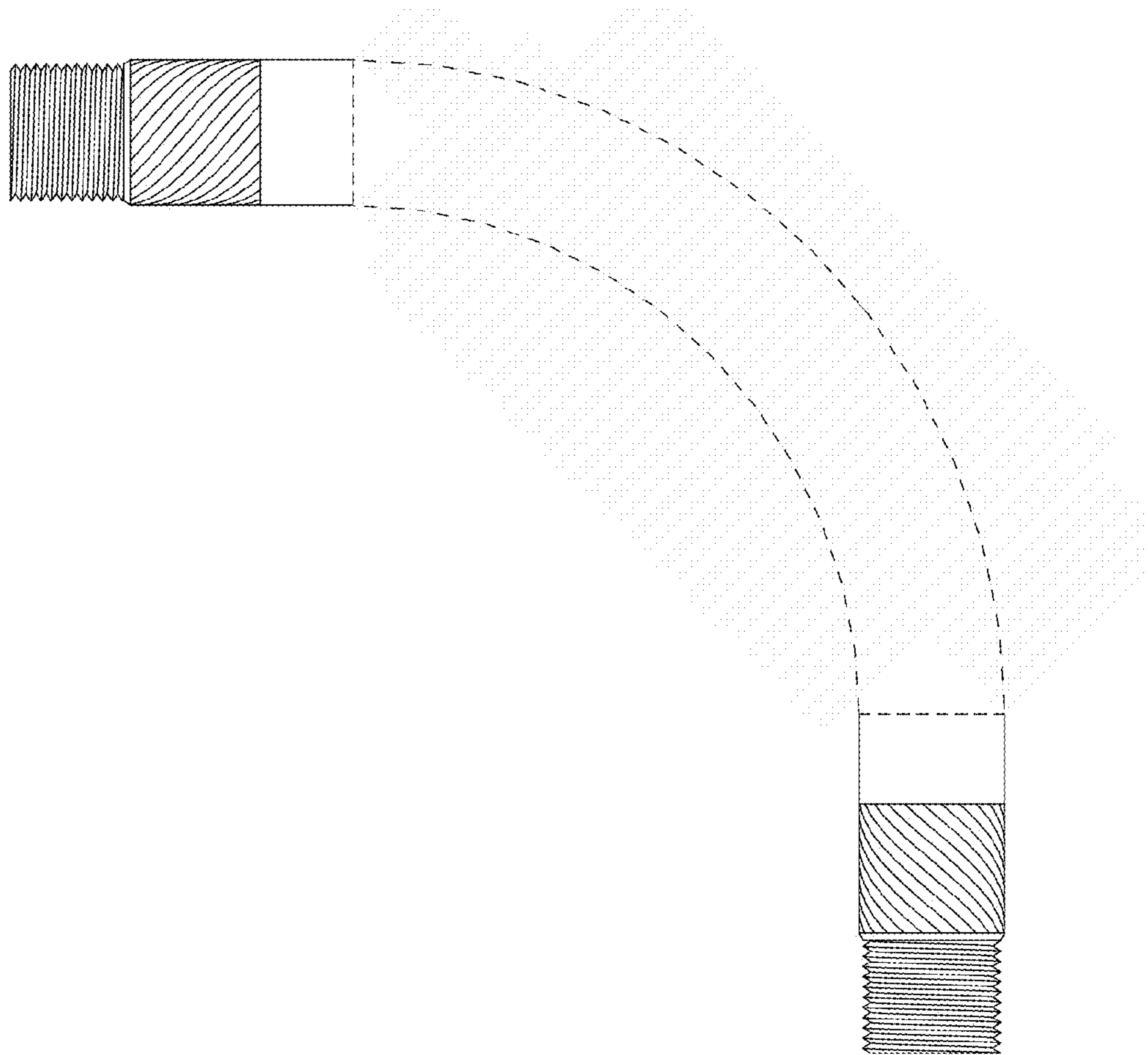


Fig. 3

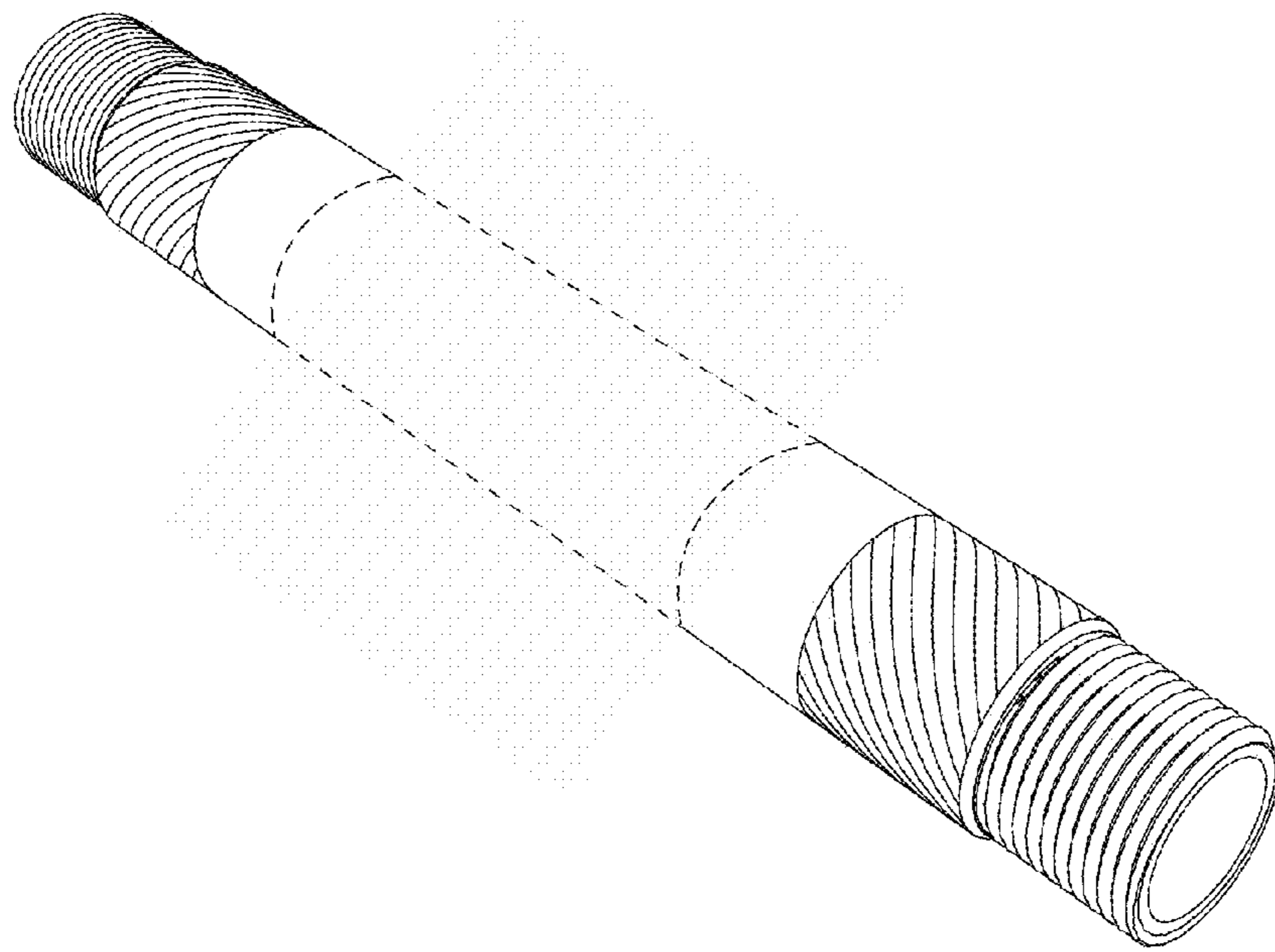


Fig. 4