

US00D766836S

(12) **United States Design Patent**
Endo et al.

(10) **Patent No.:** **US D766,836 S**
(45) **Date of Patent:** **** Sep. 20, 2016**

- (54) **TERMINAL METAL FITTING**
- (71) Applicant: **DAI-ICHI SEIKO CO., LTD.**, Kyoto (JP)
- (72) Inventors: **Takayoshi Endo**, Shizuoka (JP);
Takuya Takeda, Shizuoka (JP)
- (73) Assignee: **DAI-ICHI SEIKO CO., LTD.**, Kyoto (JP)
- (**) Term: **15 Years**
- (21) Appl. No.: **29/537,125**
- (22) Filed: **Aug. 21, 2015**
- (30) **Foreign Application Priority Data**
Feb. 23, 2015 (JP) 2015-003654
- (51) **LOC (10) Cl.** **13-03**
- (52) **U.S. Cl.**
USPC **D13/154**
- (58) **Field of Classification Search**
USPC D13/118, 120, 133, 147, 154, 184, 199
CPC H01R 4/48; H01R 13/02; H01R 13/05;
H01R 13/187; H01R 13/2442; H01R 13/432
See application file for complete search history.

- 2015/0111437 A1* 4/2015 Hashimoto H01R 13/41
439/692
- 2016/0134051 A1* 5/2016 Zhang H01R 13/6205
439/39
- 2016/0134055 A1* 5/2016 Chen H01R 12/722
439/217

* cited by examiner

Primary Examiner — Daniel Bui
(74) *Attorney, Agent, or Firm* — Nakanishi IP Associates, LLC

(57) **CLAIM**
The ornamental design for a terminal metal fitting, as shown and described.

DESCRIPTION

FIG. 1 is a front, top, and right side perspective view of a terminal metal fitting showing our new design; FIG. 2 is a front elevation view thereof; FIG. 3 is a rear elevation view thereof; FIG. 4 is a top plan view thereof; FIG. 5 is a bottom plan view thereof; FIG. 6 is a left side elevation view thereof; FIG. 7 is a right side elevation view thereof; FIG. 8 is a cross-sectional view thereof, taken along line 8-8 of FIG. 4; and, FIG. 9 is a partially enlarged cross-sectional view thereof, showing a portion defined by lines B-B and lines C-C in FIG. 8.

The broken lines shown in the drawings are included for the purpose of illustrating unclaimed environment only, and form no part of the claimed design. The dot-dash broken lines shown in the drawings represent an unclaimed boundary line, and form no part of the claimed design.

1 Claim, 4 Drawing Sheets

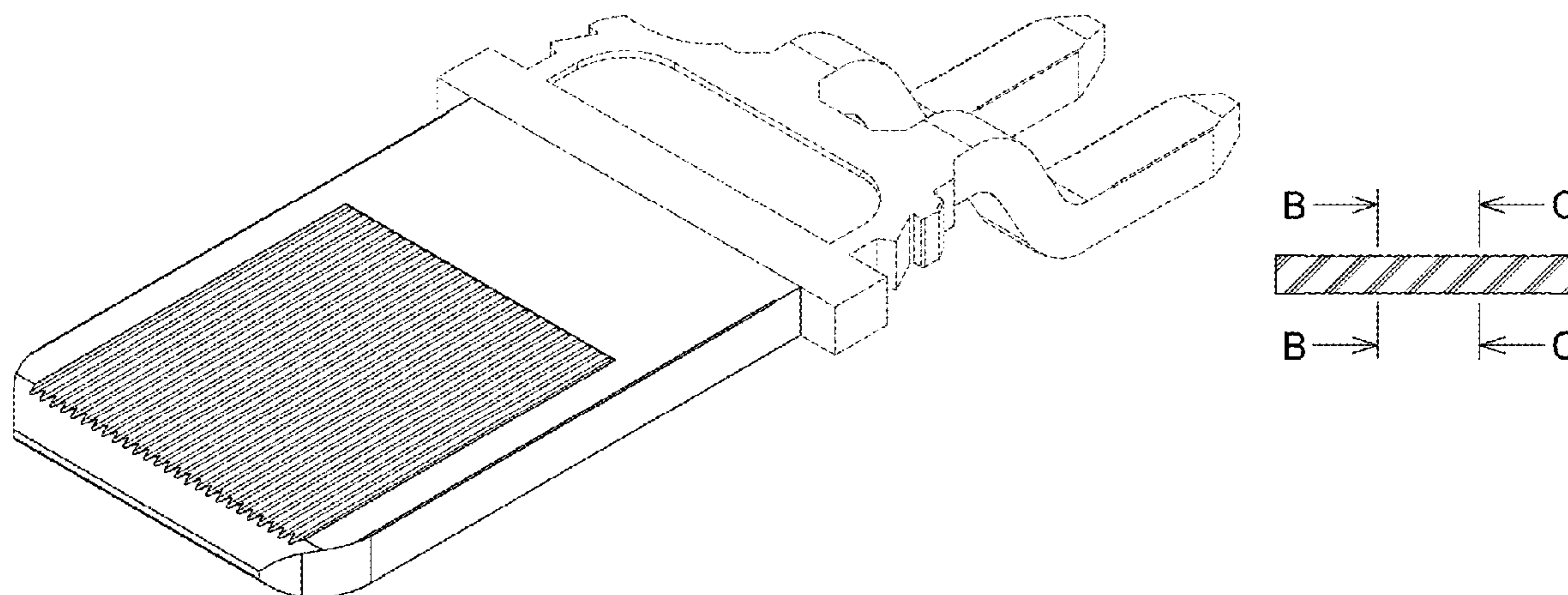


FIG. 1

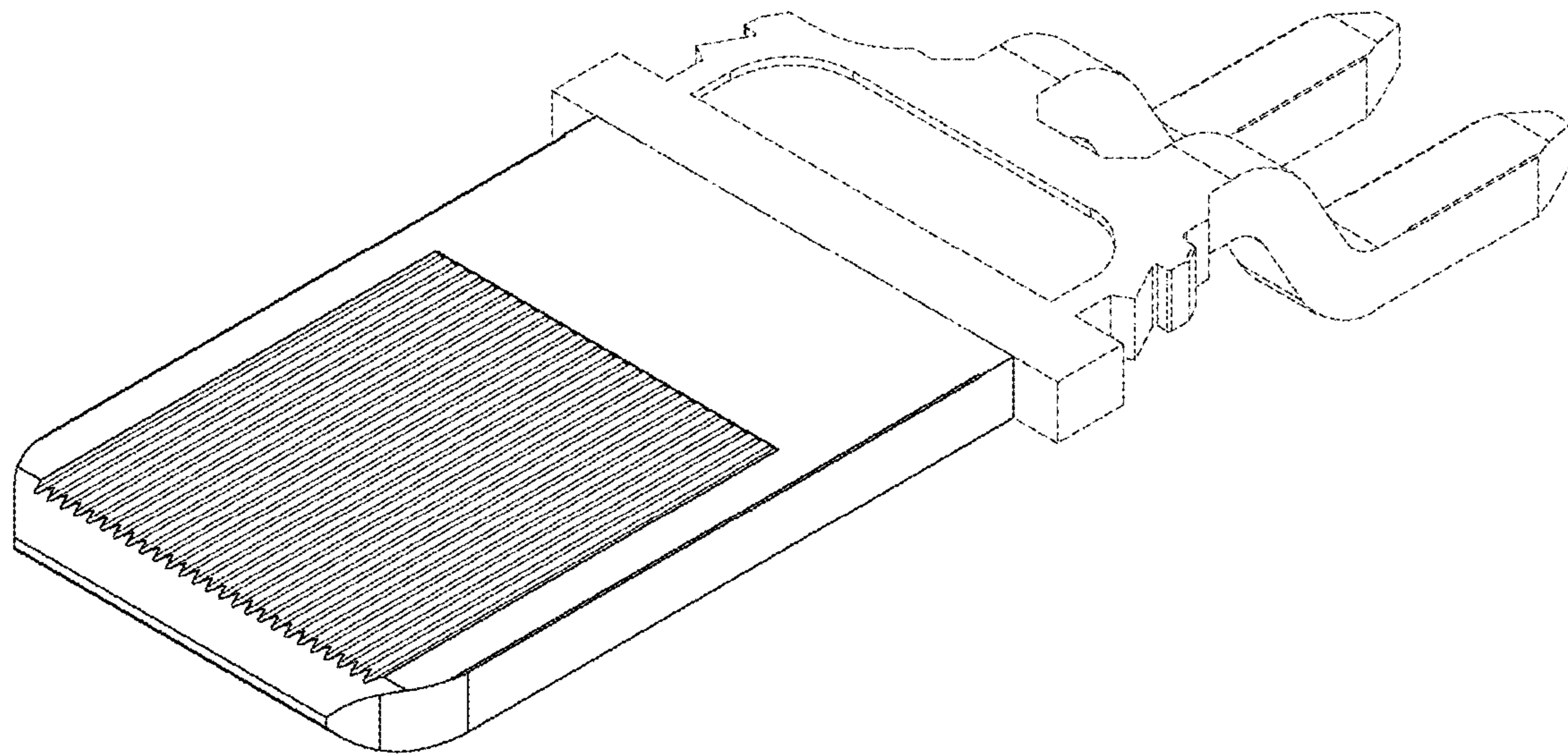


FIG. 2

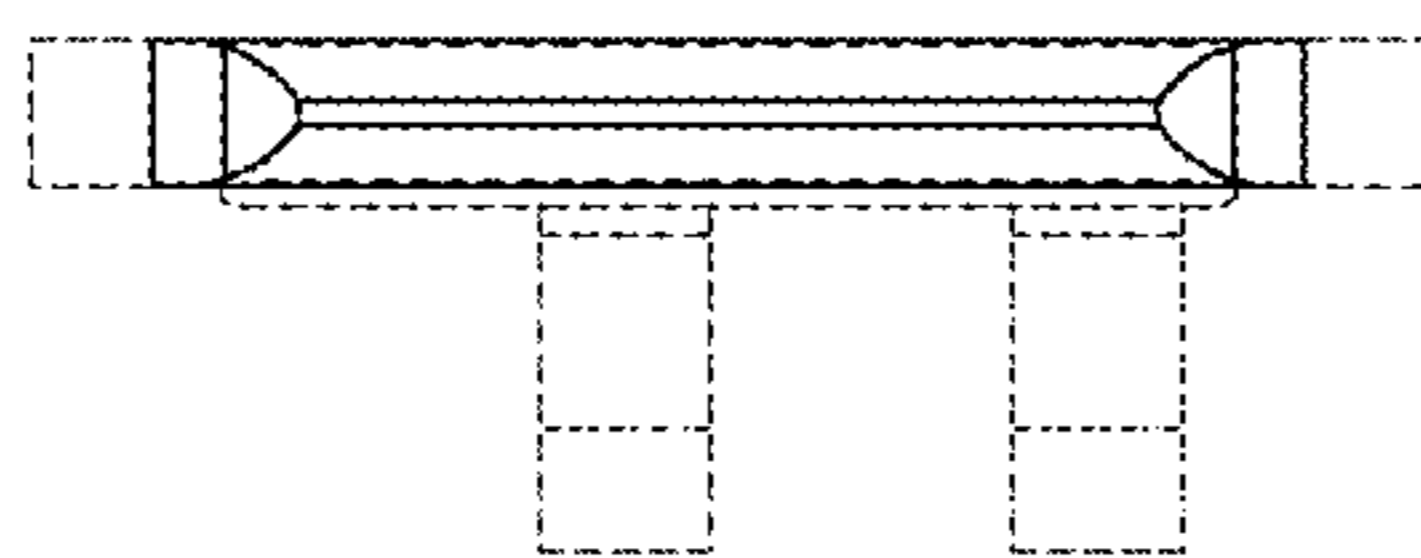


FIG. 3

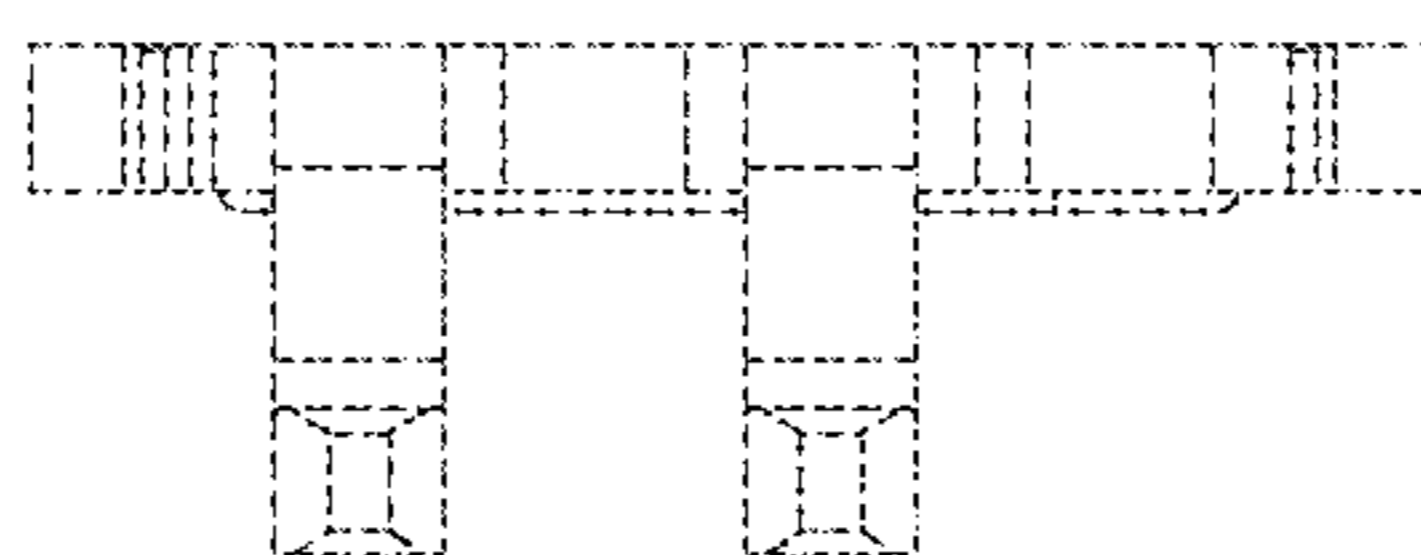


FIG. 4

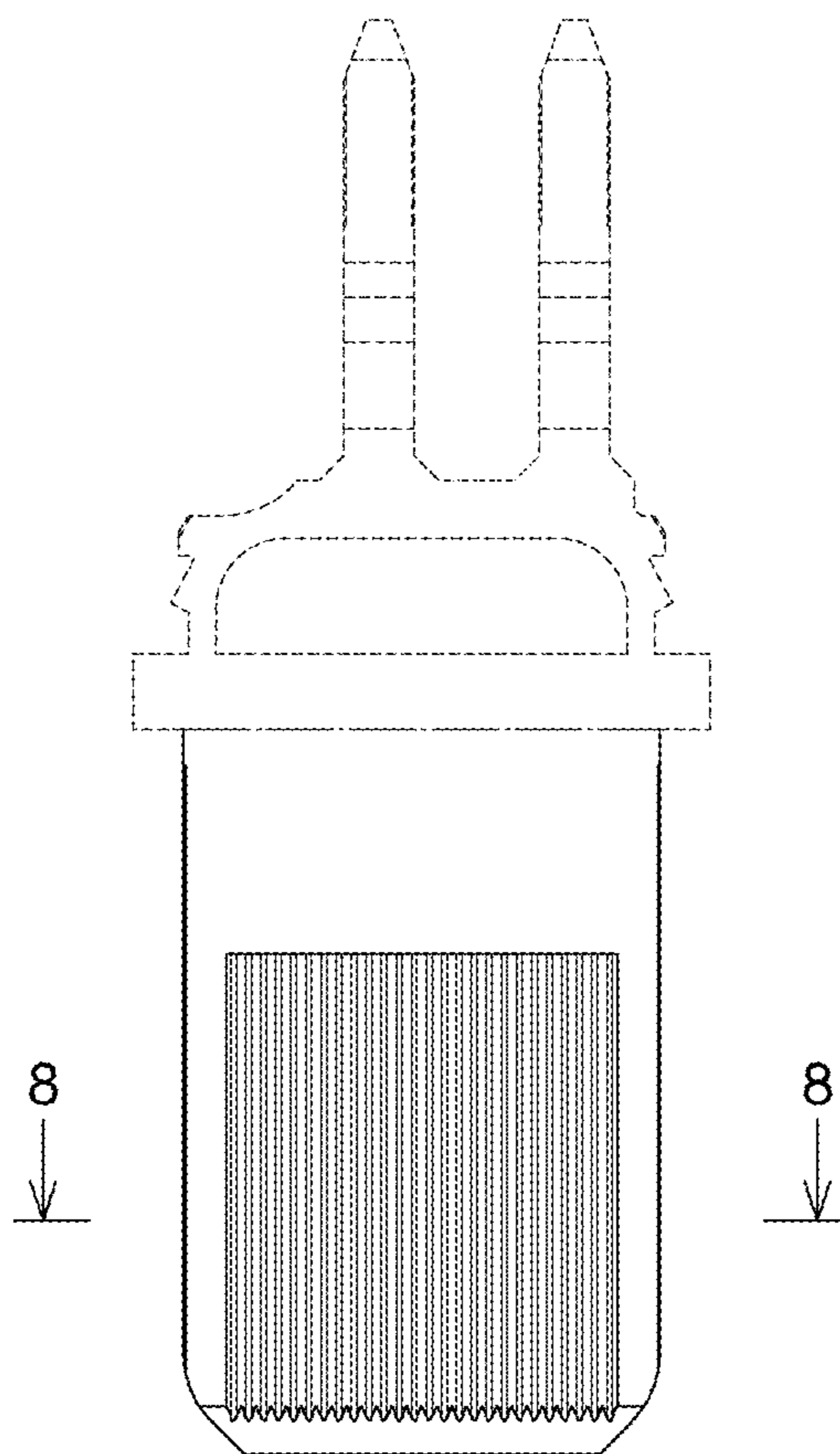


FIG. 5

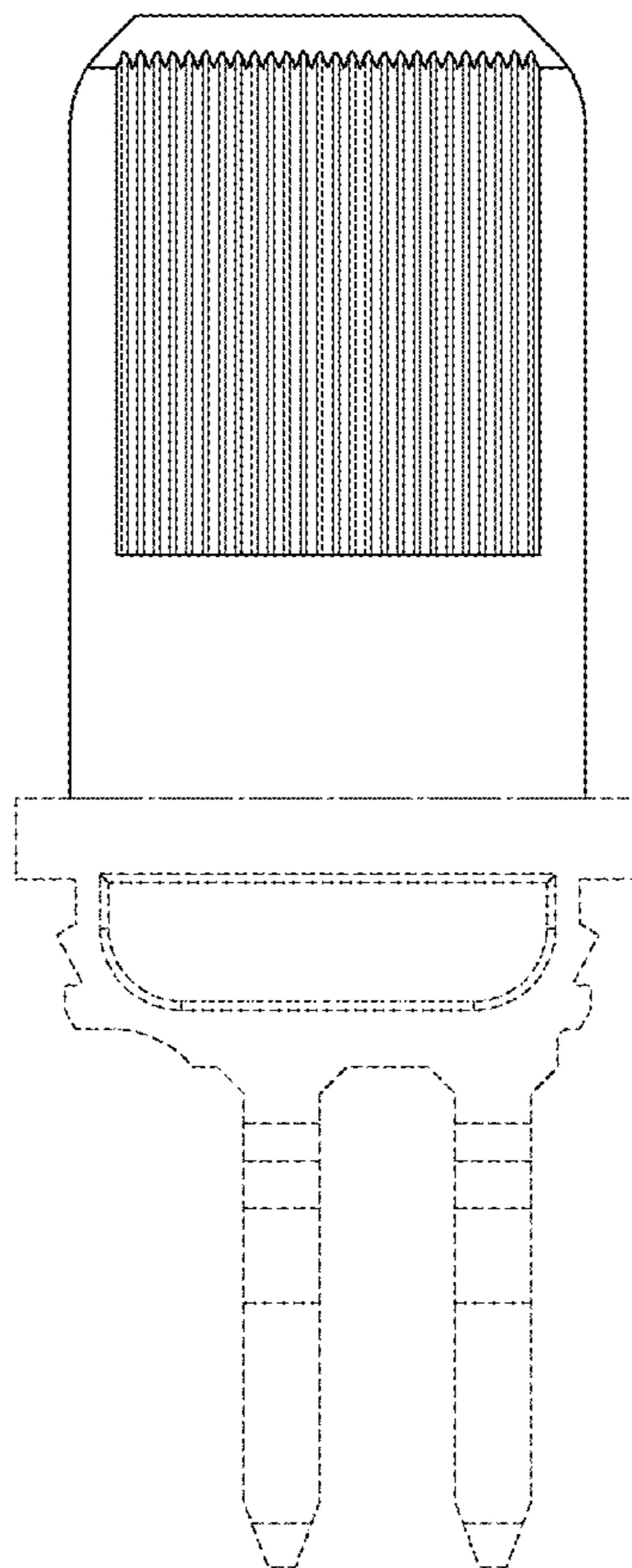


FIG. 6

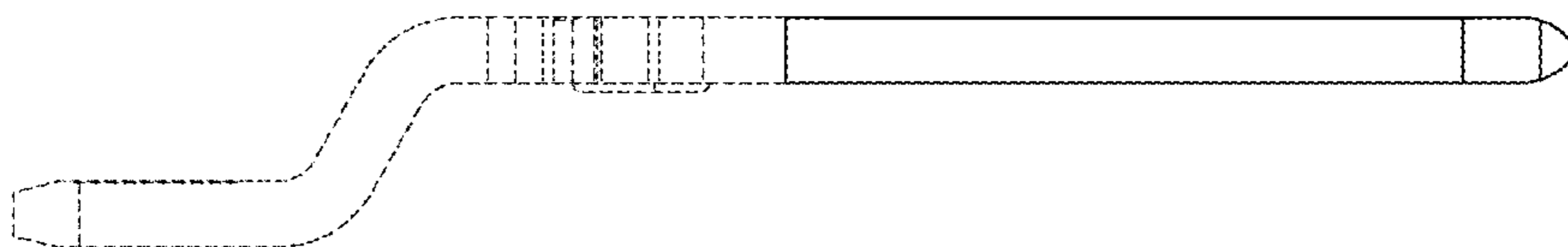


FIG. 7

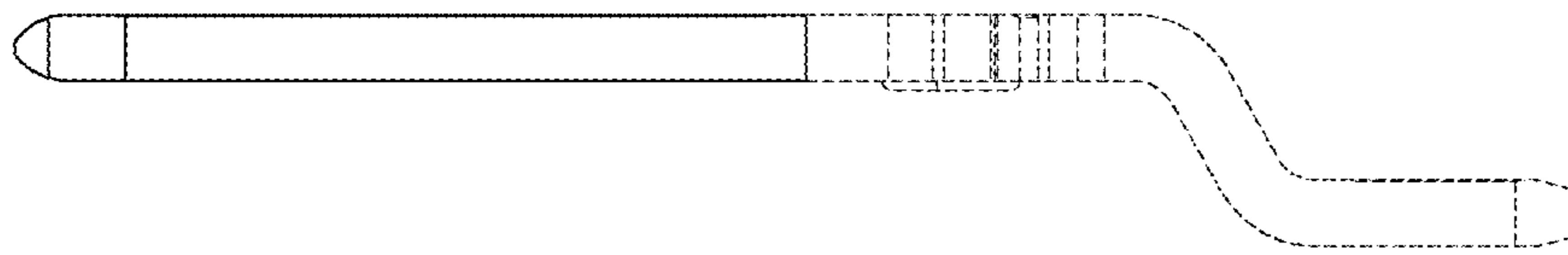


FIG. 8

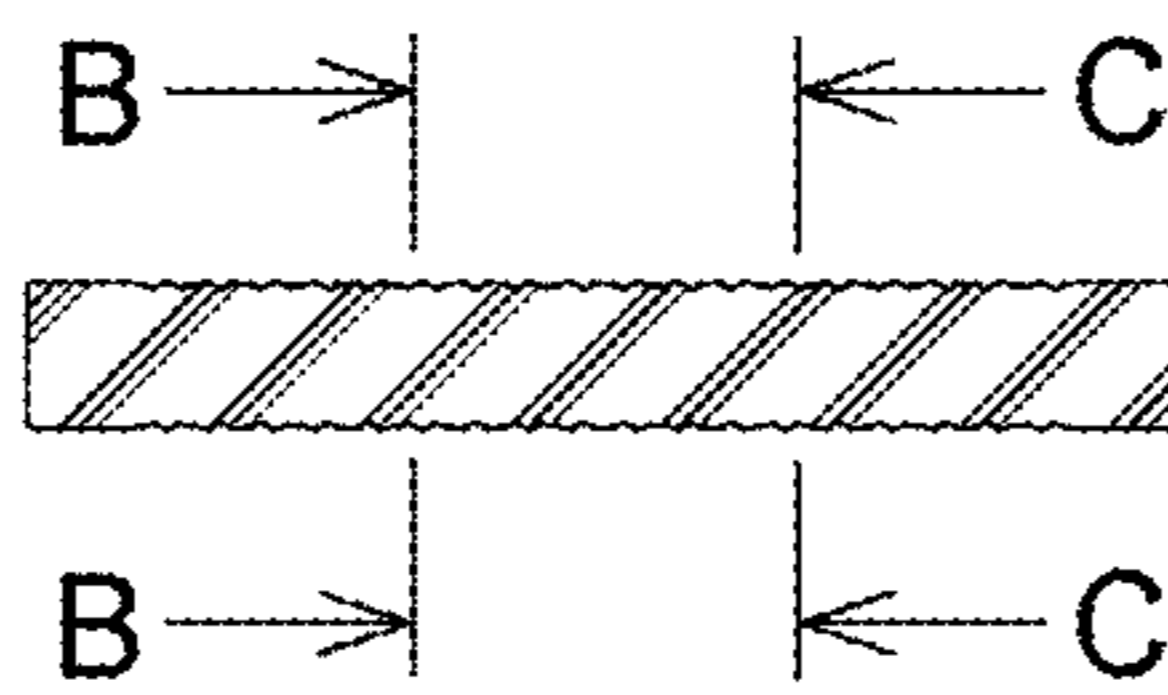


FIG. 9

