



US00D766834S

(12) **United States Design Patent**
Endo et al.

(10) **Patent No.:** **US D766,834 S**

(45) **Date of Patent:** **** Sep. 20, 2016**

(54) **TERMINAL METAL FITTING**

(71) Applicant: **DAI-ICHI SEIKO CO., LTD.**, Kyoto (JP)

(72) Inventors: **Takayoshi Endo**, Shizuoka (JP);
Takuya Takeda, Shizuoka (JP)

(73) Assignee: **DAI-ICHI SEIKO CO., LTD.**, Kyoto (JP)

(**) Term: **15 Years**

(21) Appl. No.: **29/537,118**

(22) Filed: **Aug. 21, 2015**

(30) **Foreign Application Priority Data**

Feb. 23, 2015 (JP) 2015-003651

(51) **LOC (10) Cl.** **13-03**

(52) **U.S. Cl.**
USPC **D13/154**

(58) **Field of Classification Search**
USPC D13/118, 120, 133, 147, 154, 184, 199
CPC H01R 4/48; H01R 13/02; H01R 13/05;
H01R 13/187; H01R 13/2442; H01R 13/432
See application file for complete search history.

(56) **References Cited**

U.S. PATENT DOCUMENTS

D484,470 S * 12/2003 Chen D13/199
6,971,928 B2 * 12/2005 Shindo H01R 13/05
439/857

D602,876 S * 10/2009 Yu D13/154
D622,671 S * 8/2010 Wang D13/120
9,276,342 B2 * 3/2016 Masubuchi H01R 12/775

* cited by examiner

Primary Examiner — Daniel Bui

(74) *Attorney, Agent, or Firm* — Nakanishi IP Associates, LLC

(57) **CLAIM**

The ornamental design for a terminal metal fitting, as shown and described.

DESCRIPTION

FIG. 1 is a front, top, and right side perspective view of a terminal metal fitting showing our new design; FIG. 2 is a front elevation view thereof; FIG. 3 is a rear elevation view thereof; FIG. 4 is a top plan view thereof; FIG. 5 is a bottom plan view thereof; FIG. 6 is a left side elevation view thereof; FIG. 7 is a right side elevation view thereof; and, FIG. 8 is an enlarged cross-sectional view thereof, taken along line 8-8 of FIG. 4.

The broken lines shown in the drawings are included for the purpose of illustrating unclaimed environment only, and form no part of the claimed design. The dot-dash broken lines shown in the drawings represent an unclaimed boundary line, and form no part of the claimed design.

1 Claim, 7 Drawing Sheets

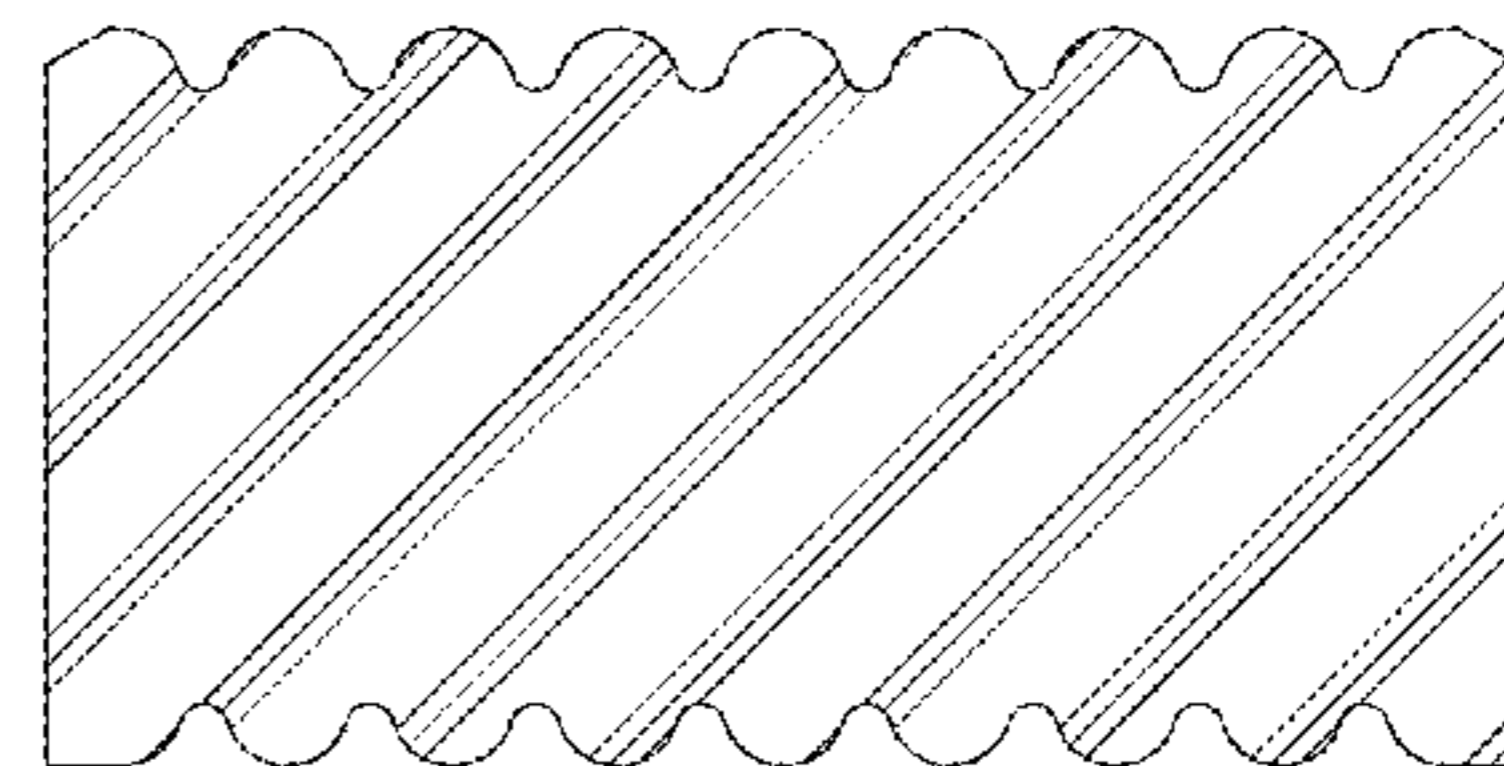
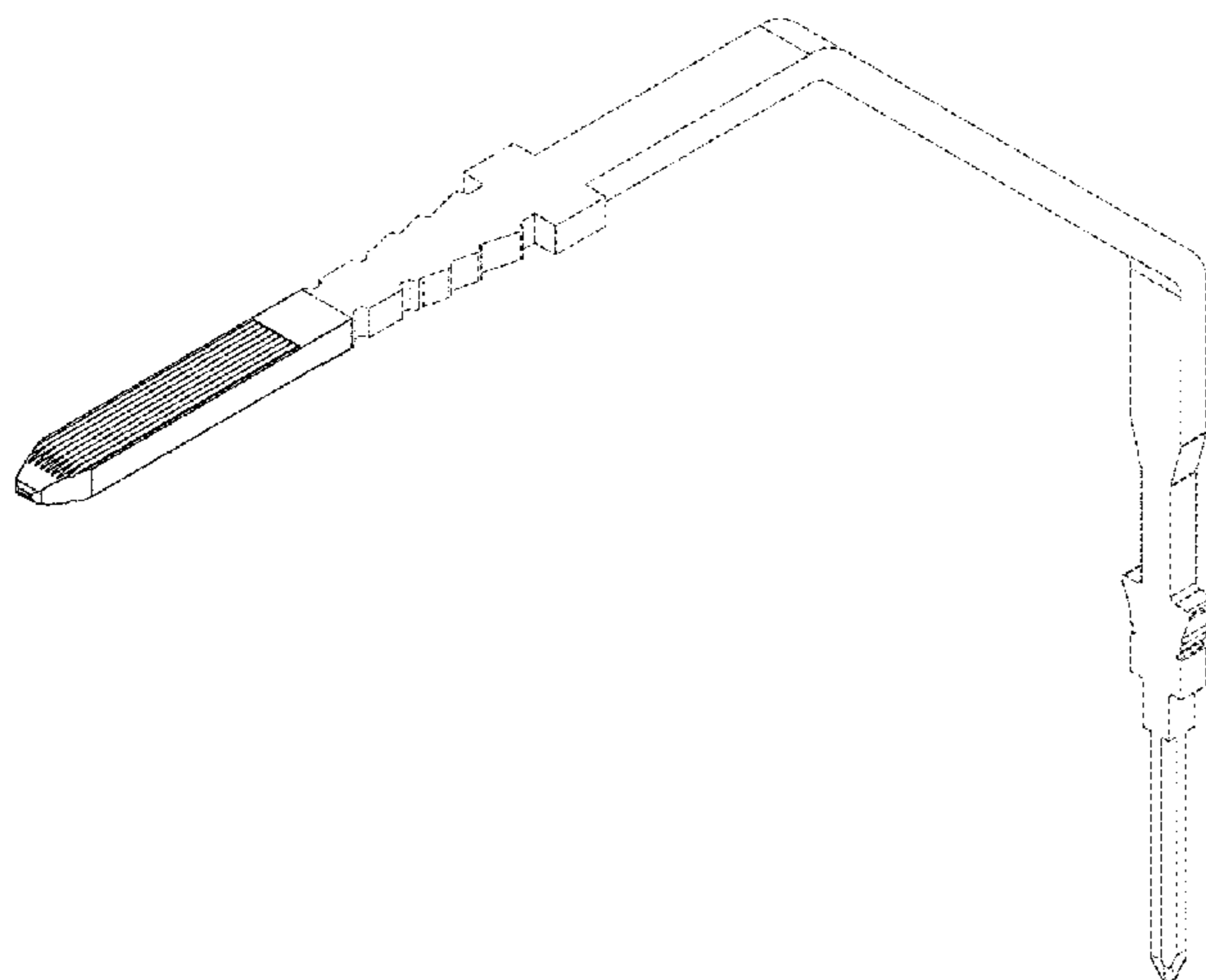


FIG. 1

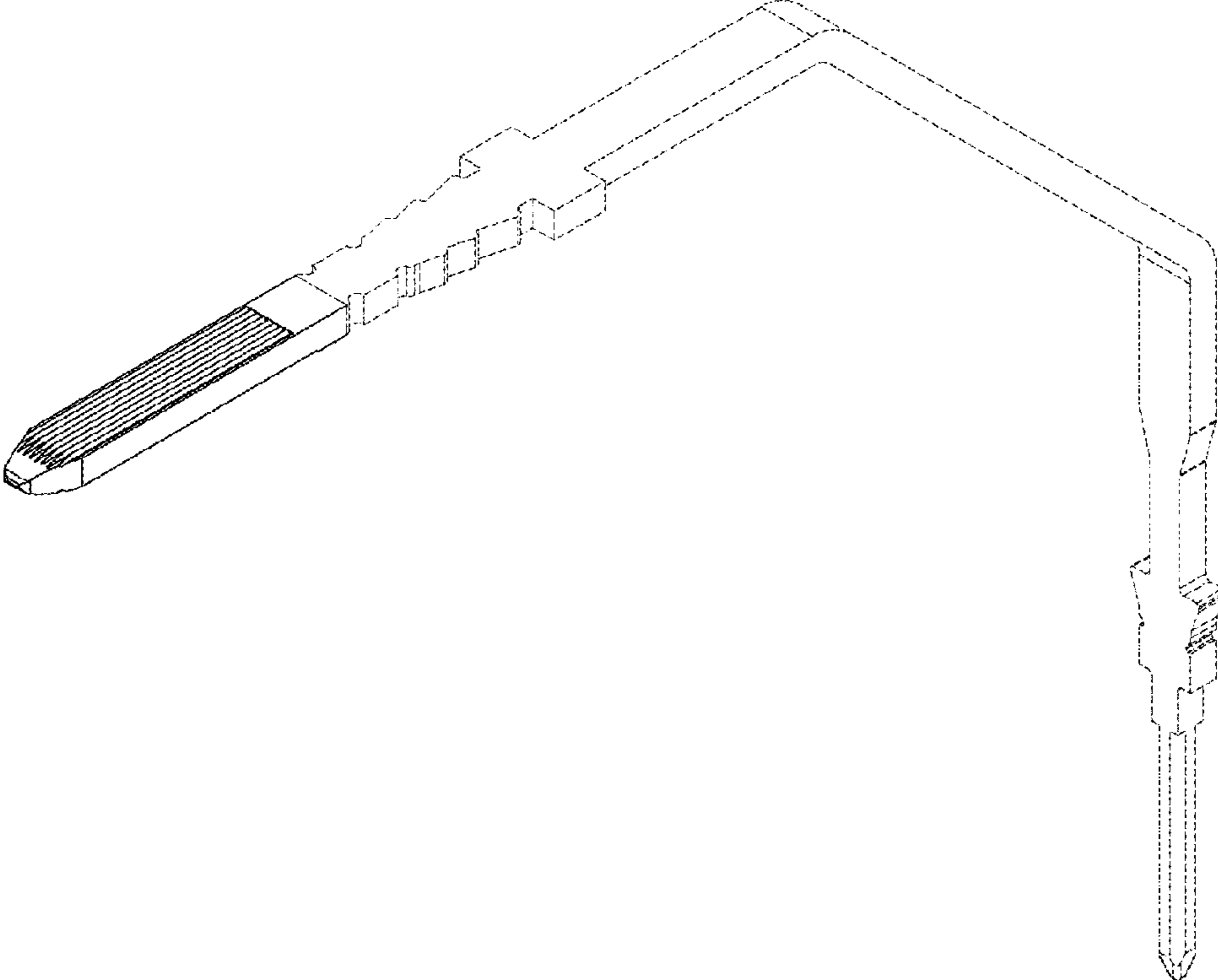


FIG. 2

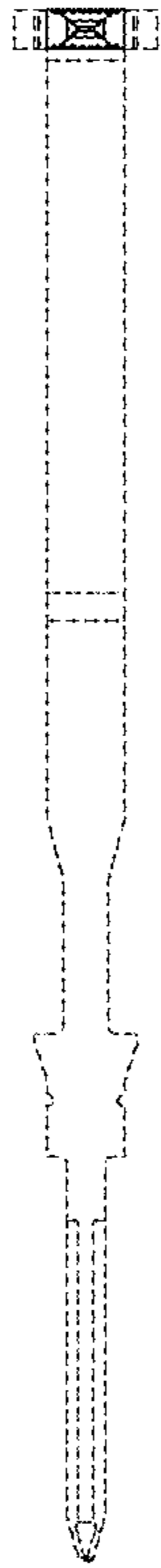


FIG. 3

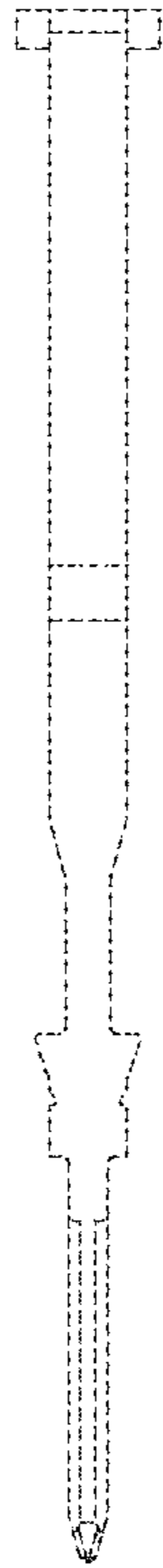


FIG. 4

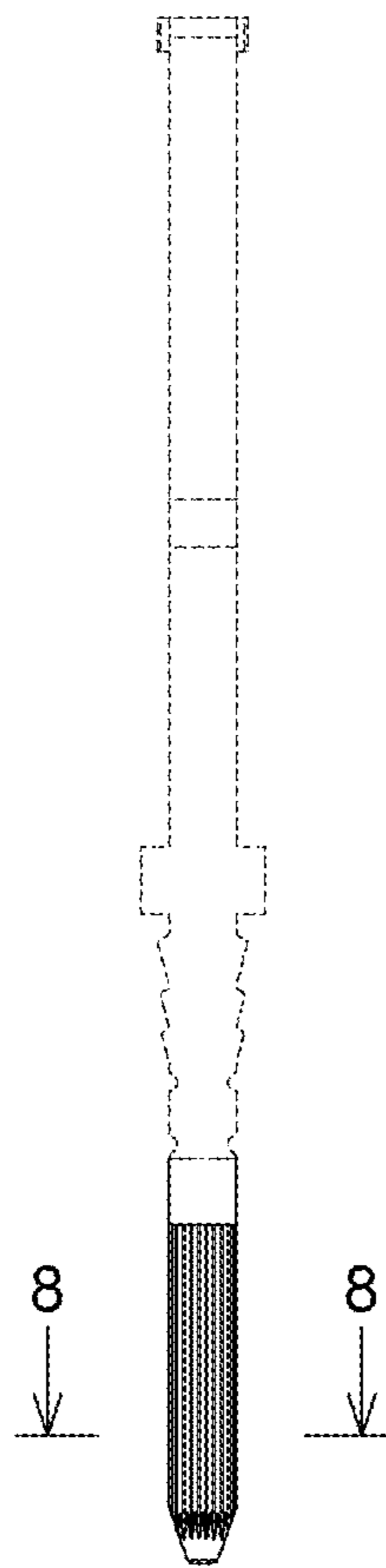


FIG. 5

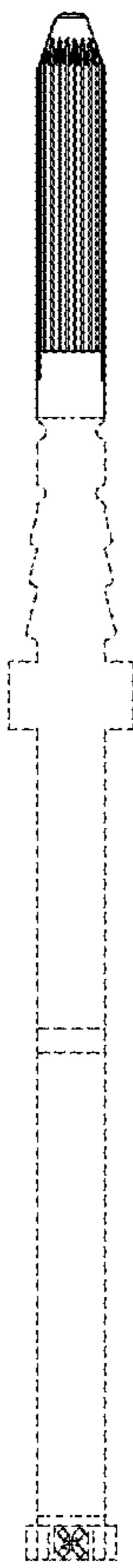


FIG. 6

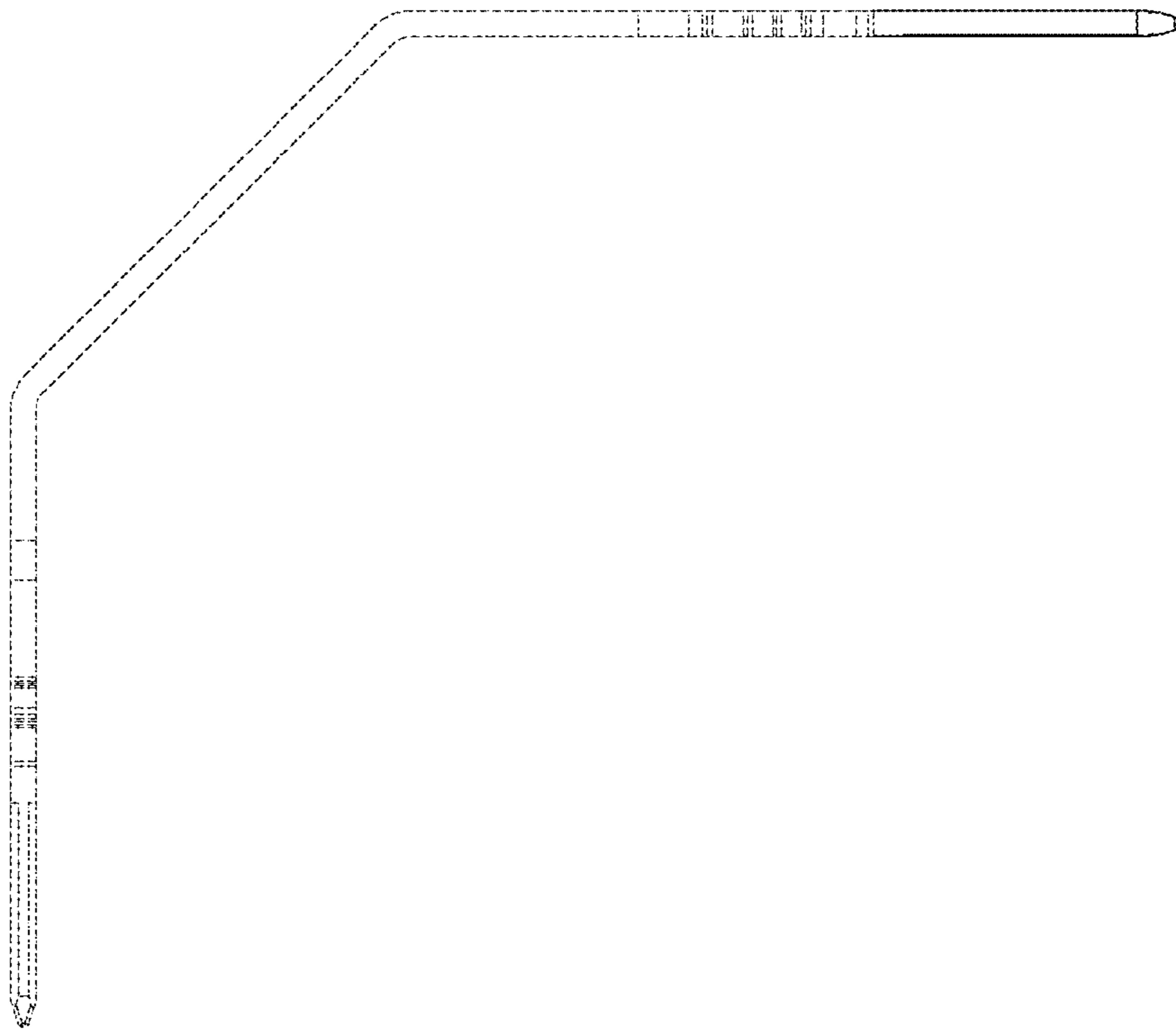


FIG. 7

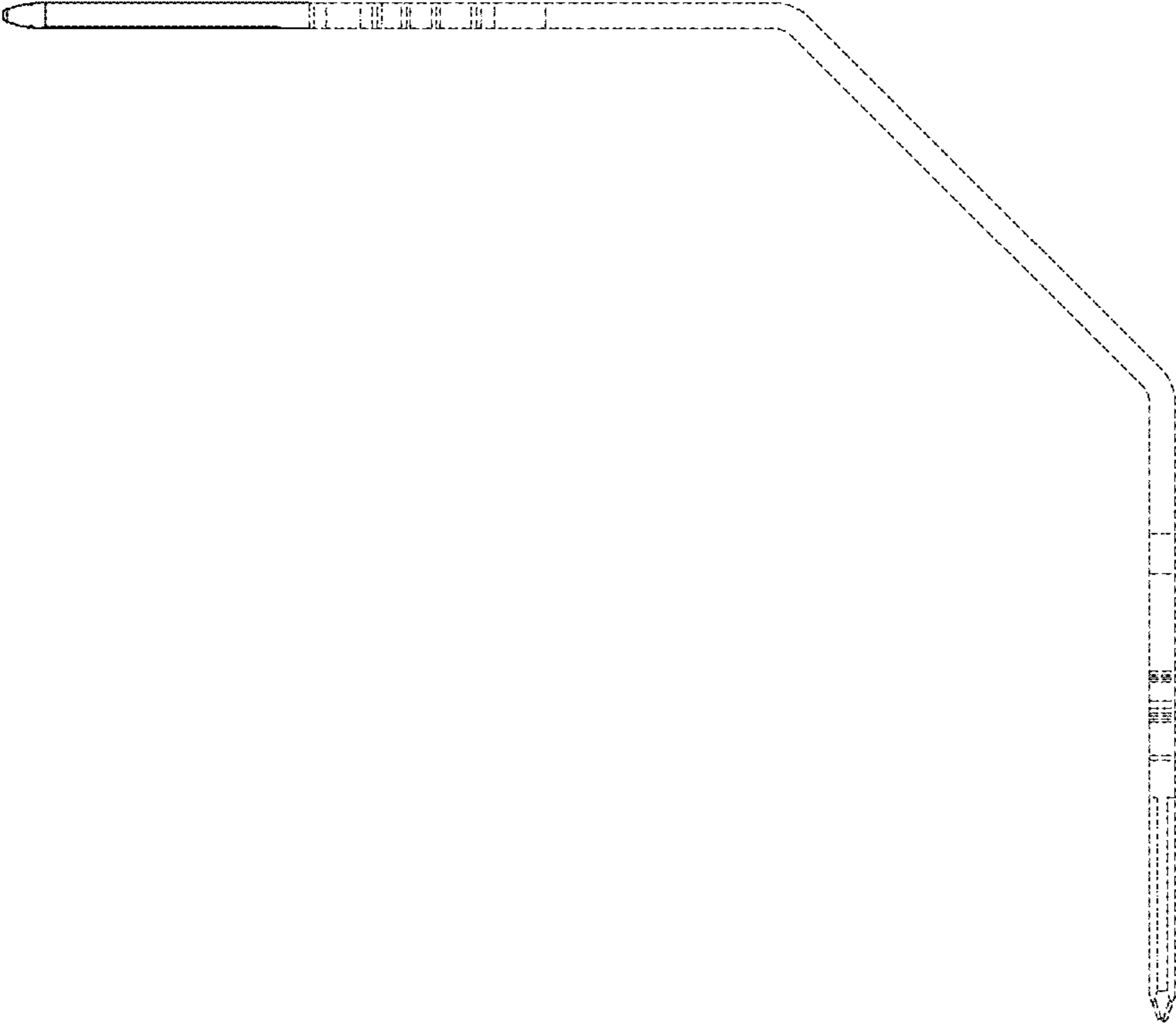


FIG. 8

